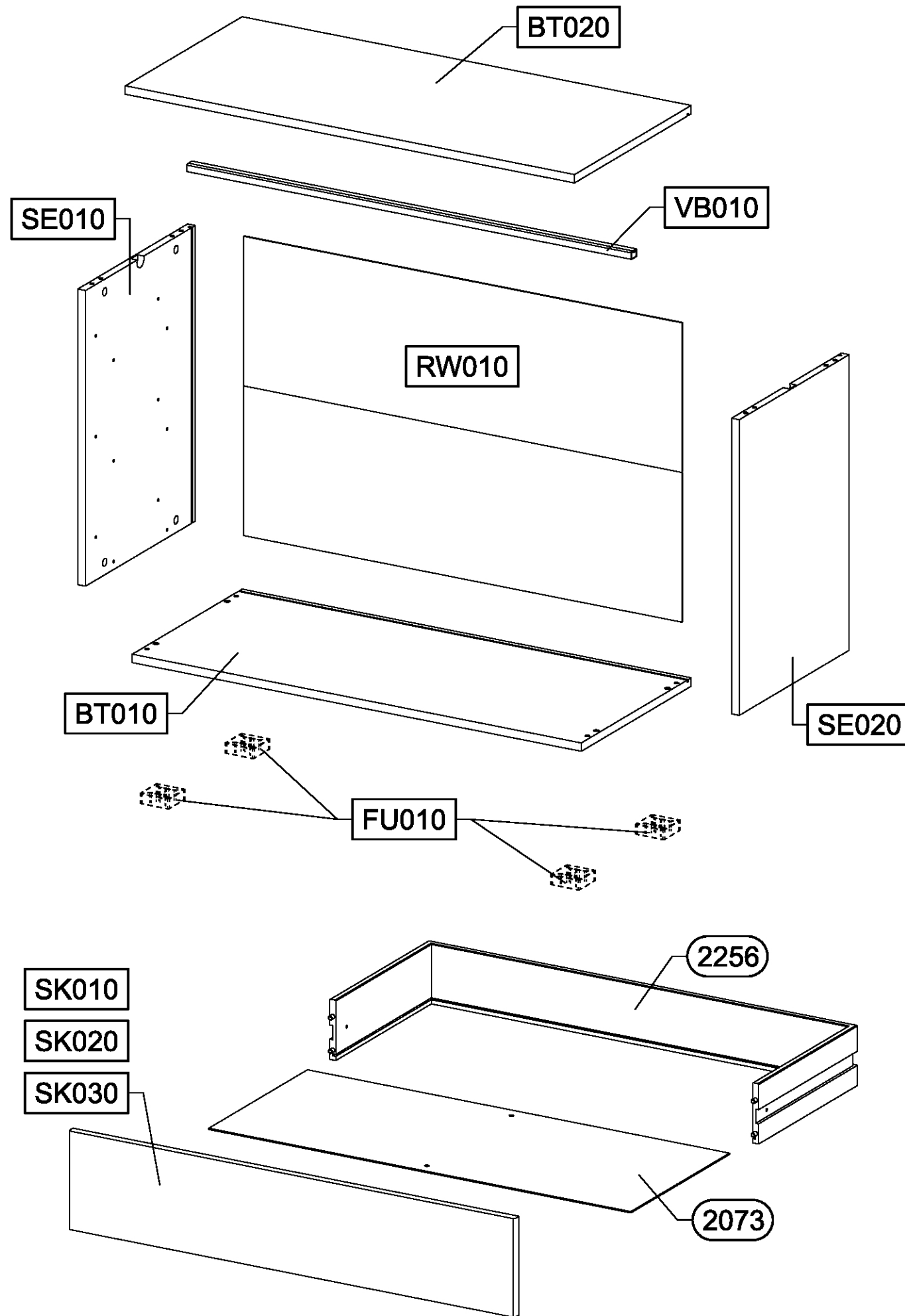
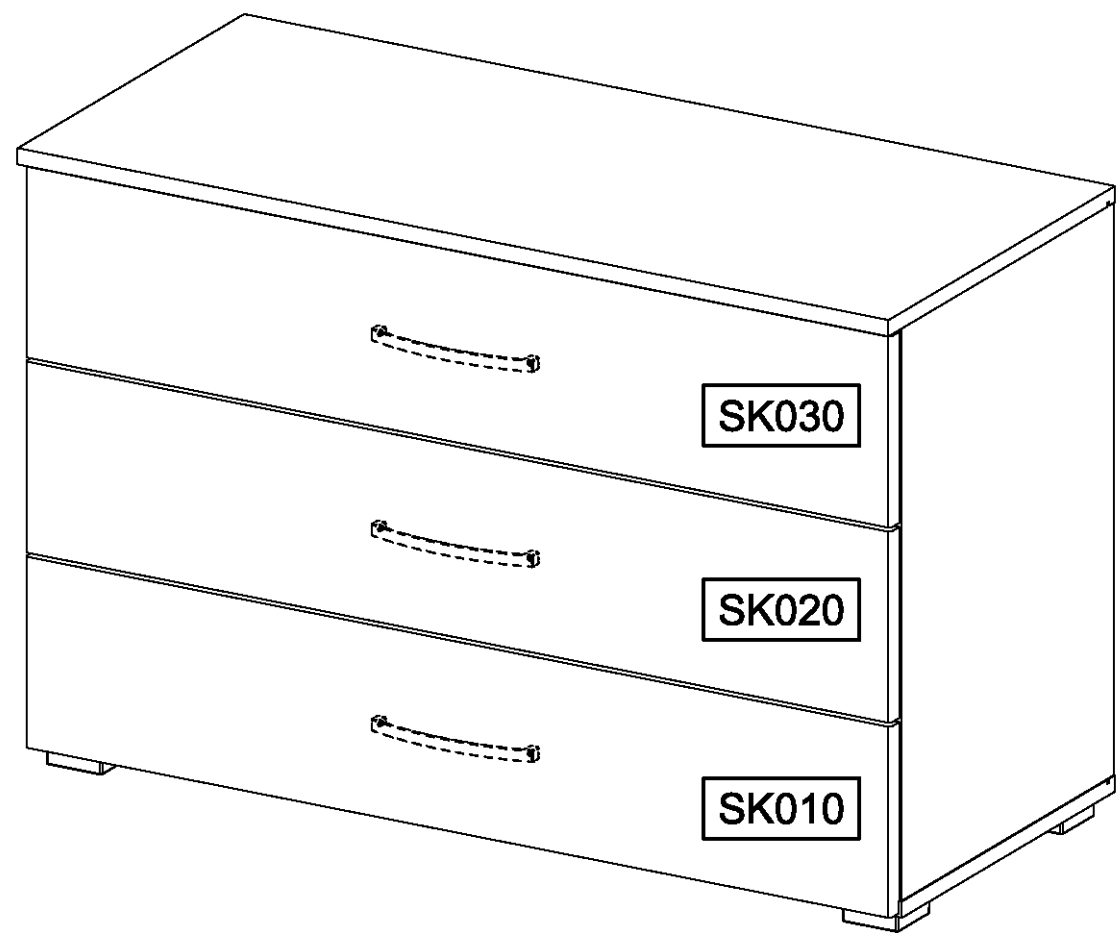
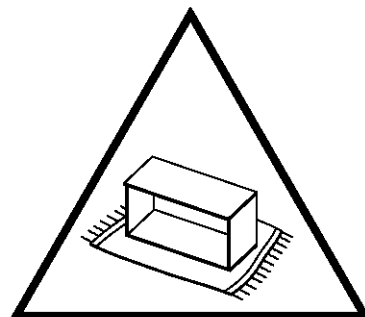
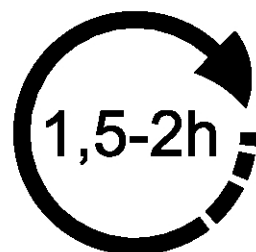
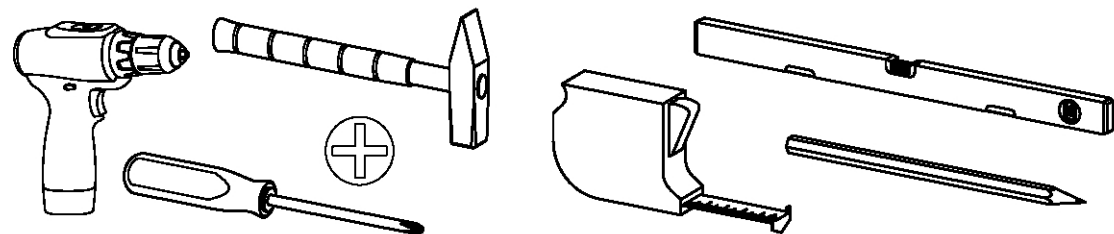


M2607\_01

rauch



6x 1 	8x 11 	8x 18 8x30 
6x 201 4x15 	12x 227 6x10,5 	
6x 259 342x27x9,5 	12x 405 Ø8 	
6x 568 M4x9 	6x 1000 	
24x 1002 3,5x20 	12x 1003 6x12 	4x 1090 
6x 1187 	8x 1188 	8x 1189 

1 	11 	
-------	--------	--

1.

2.

3.

4.

2073

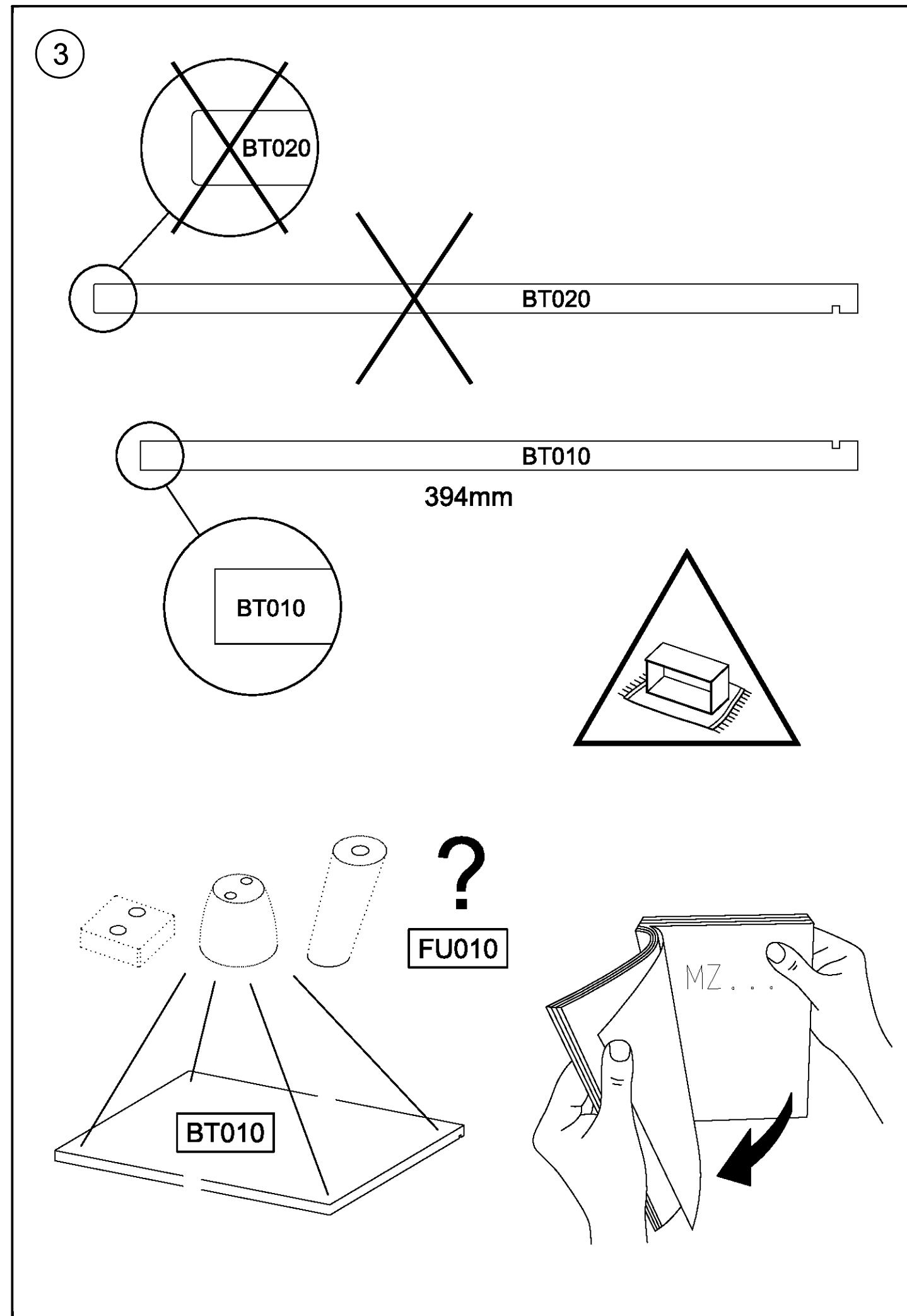
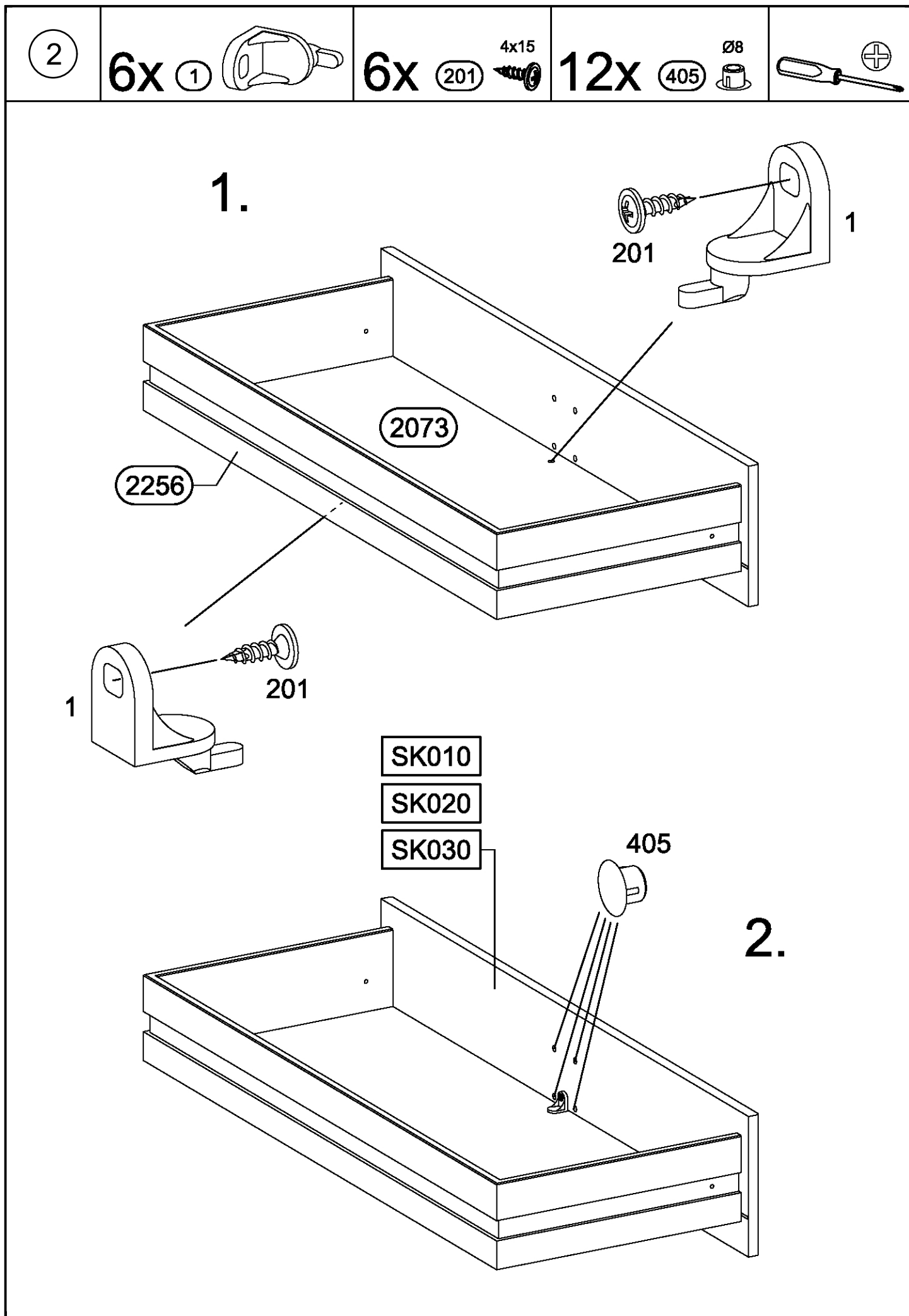
SK010  
SK020  
SK030

20 Min

Xmm = Xmm

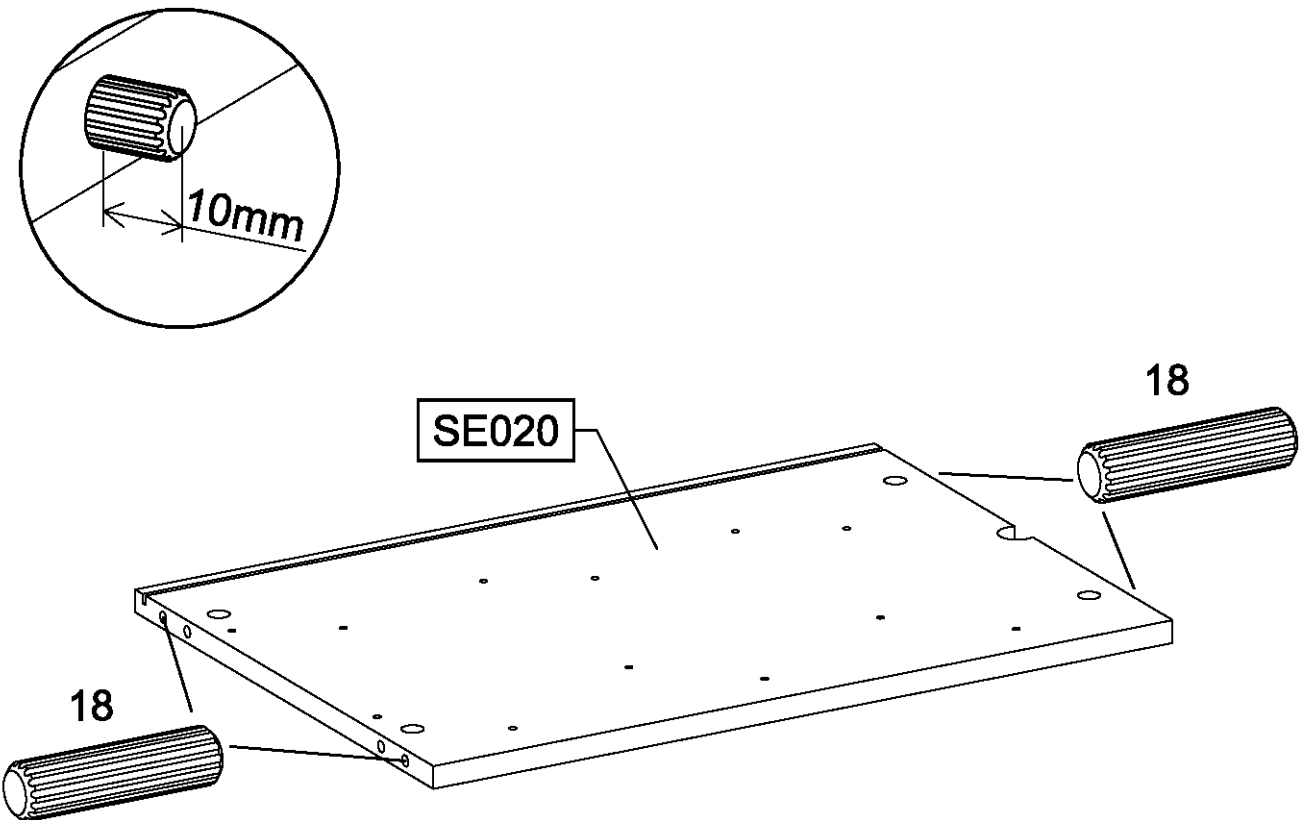
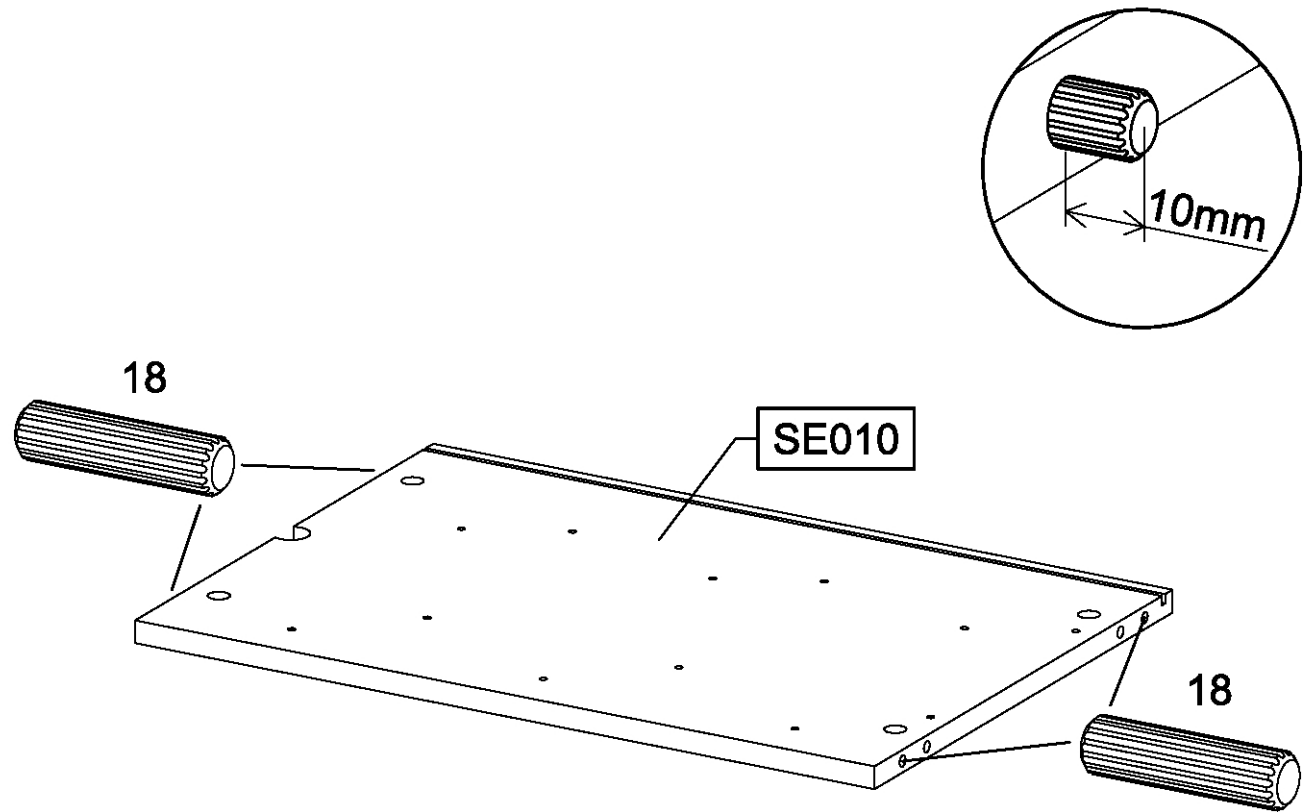
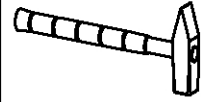
Xmm Xmm

2256



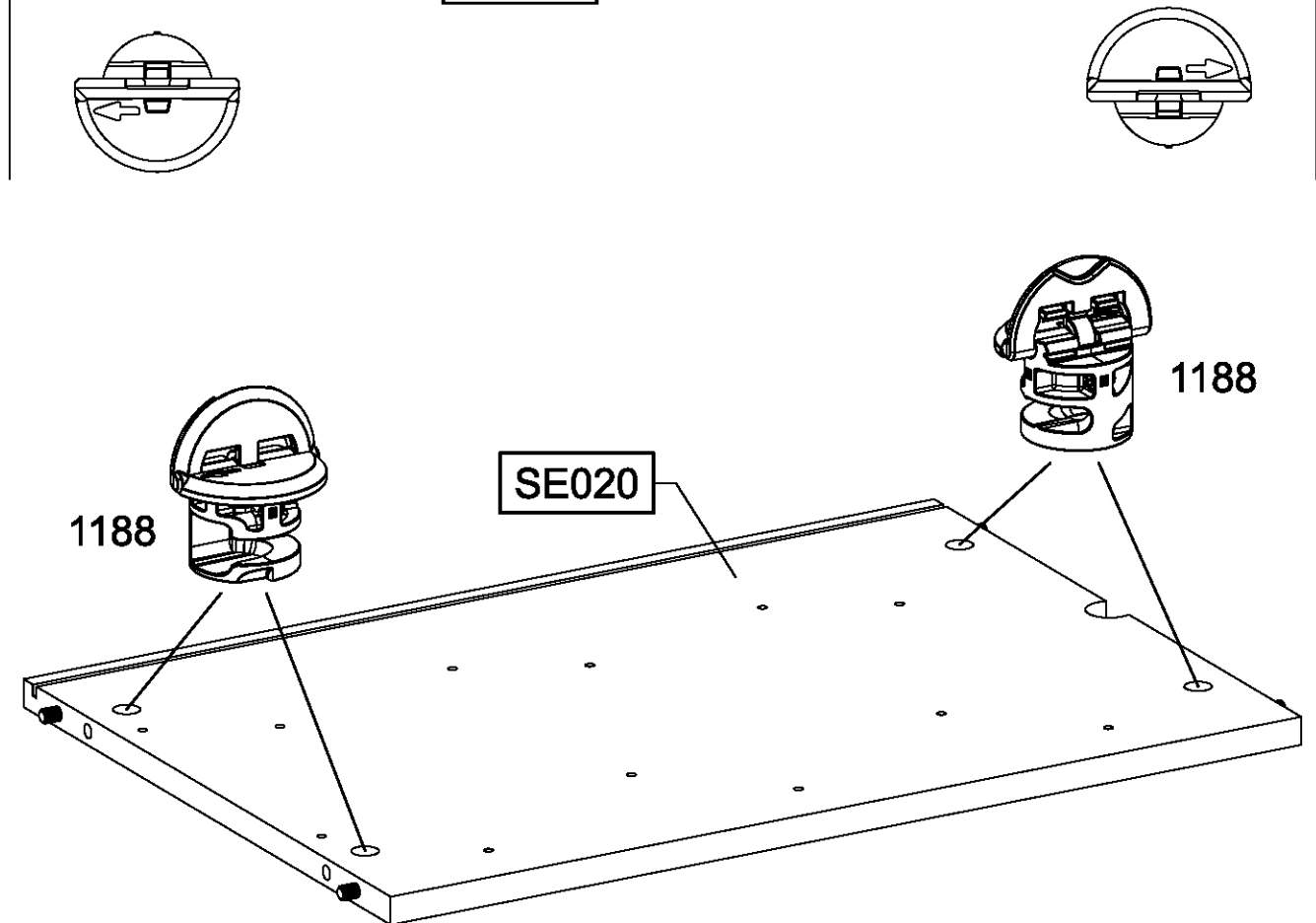
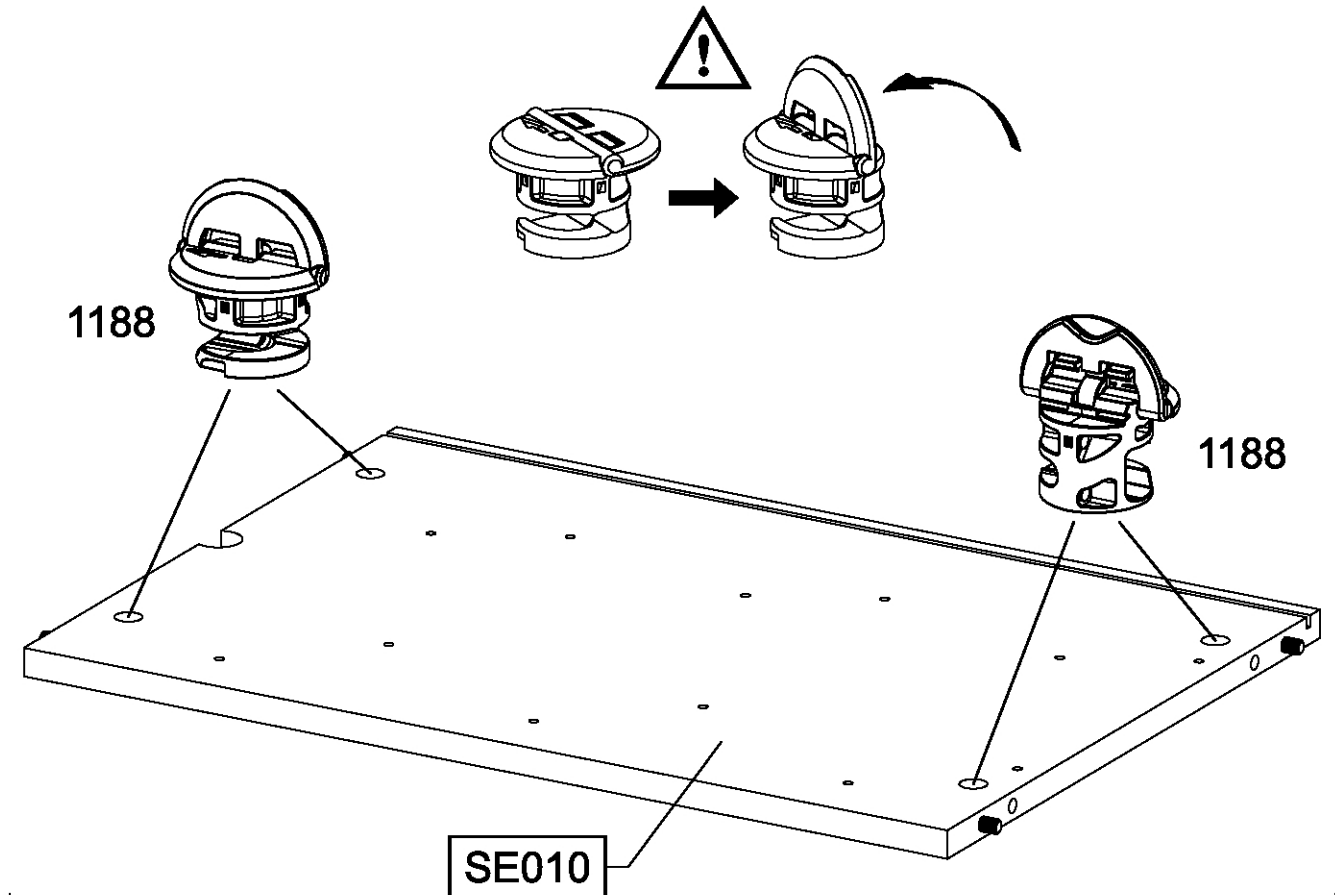
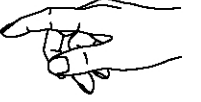
4

8x 18 8x30



5

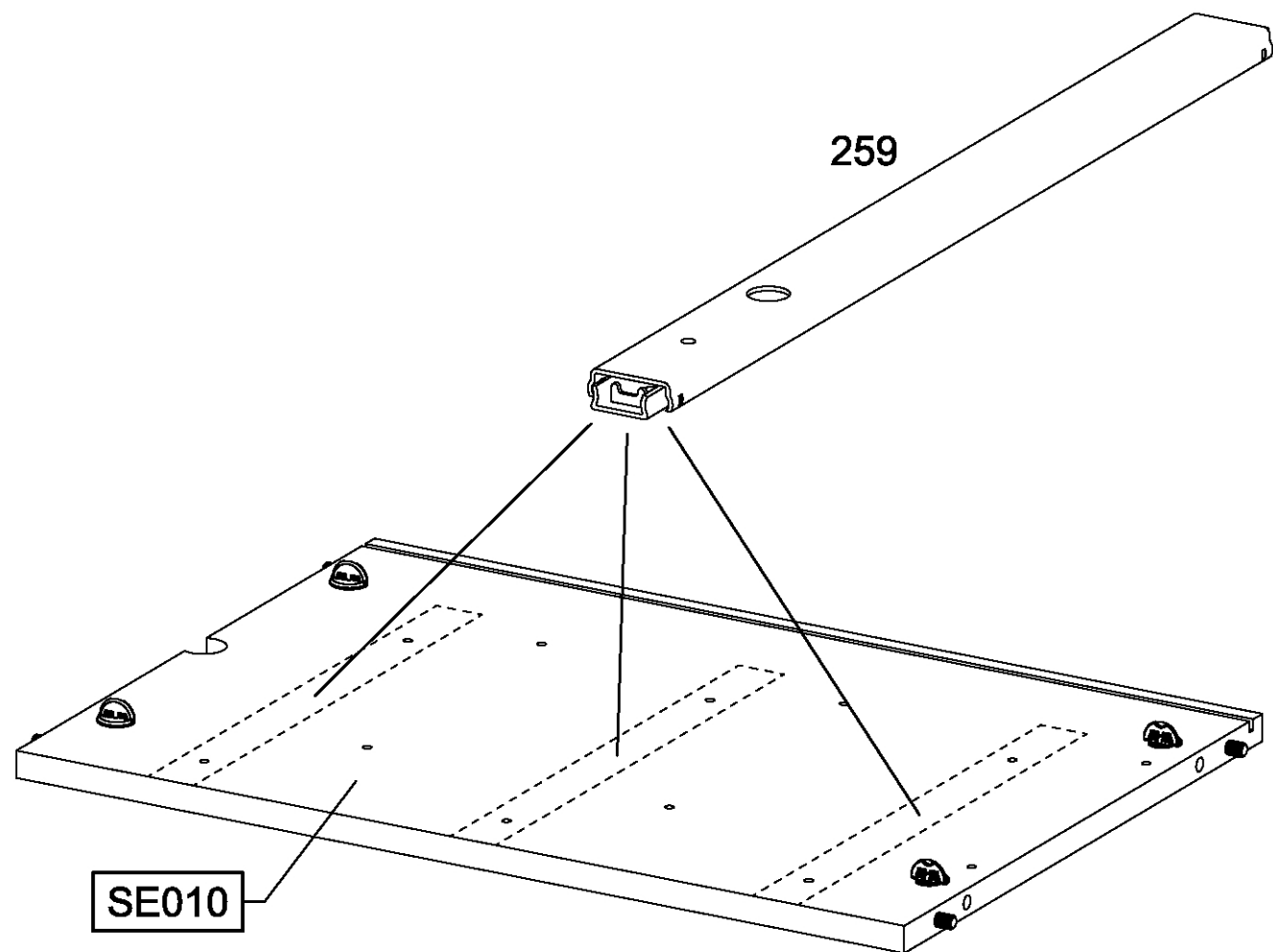
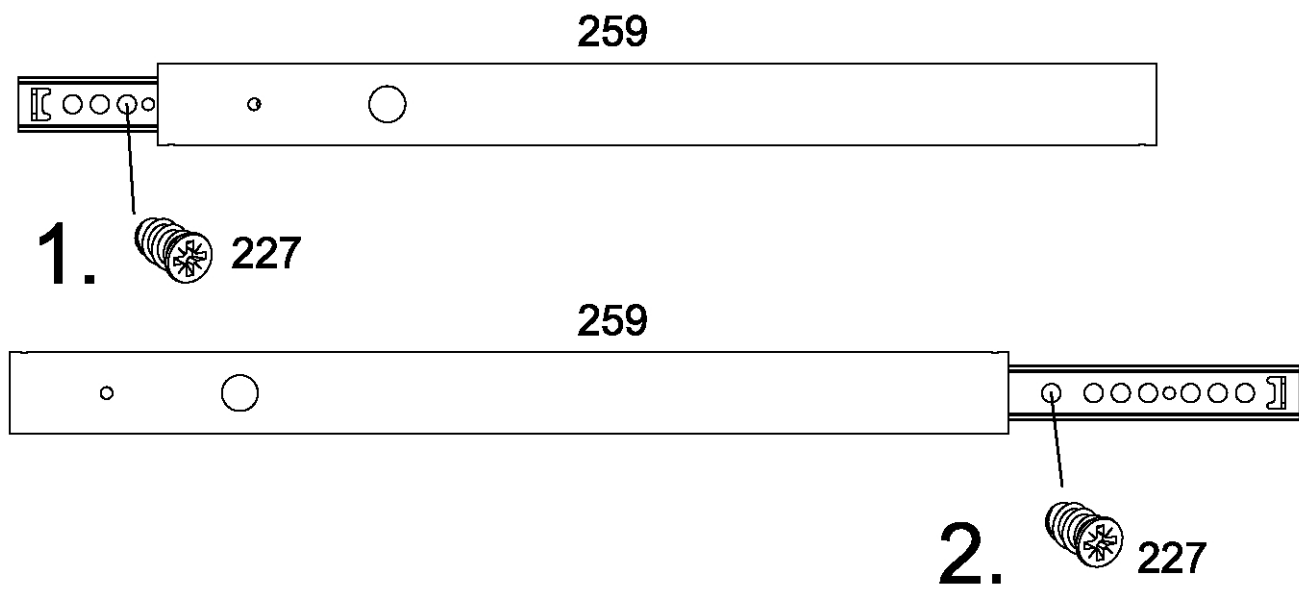
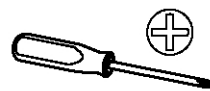
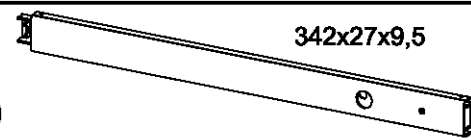
8x 1188



6

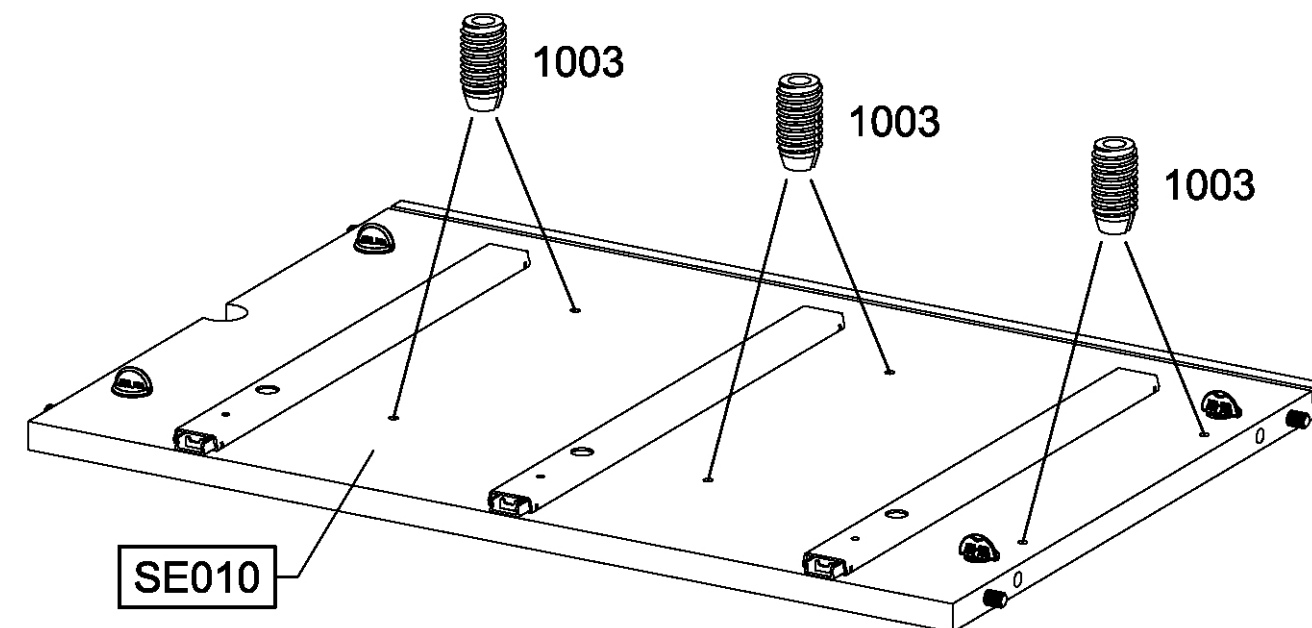
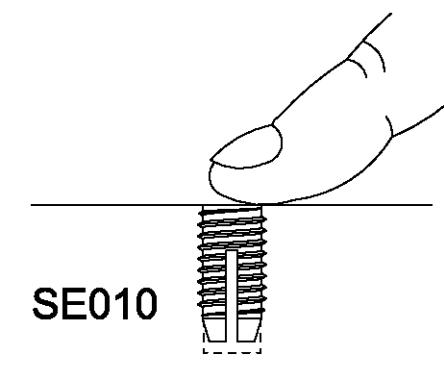
6x 227 6x10,5

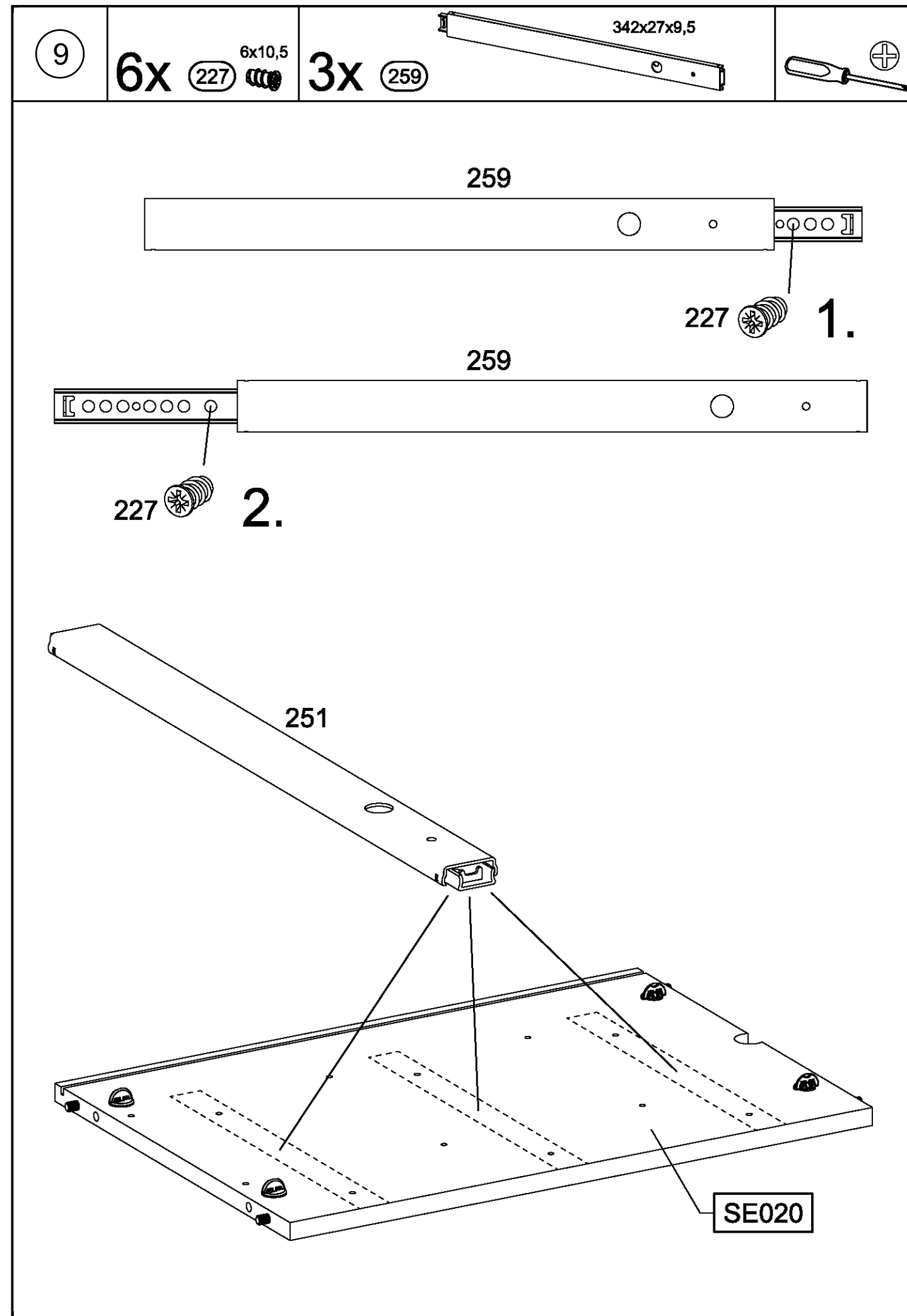
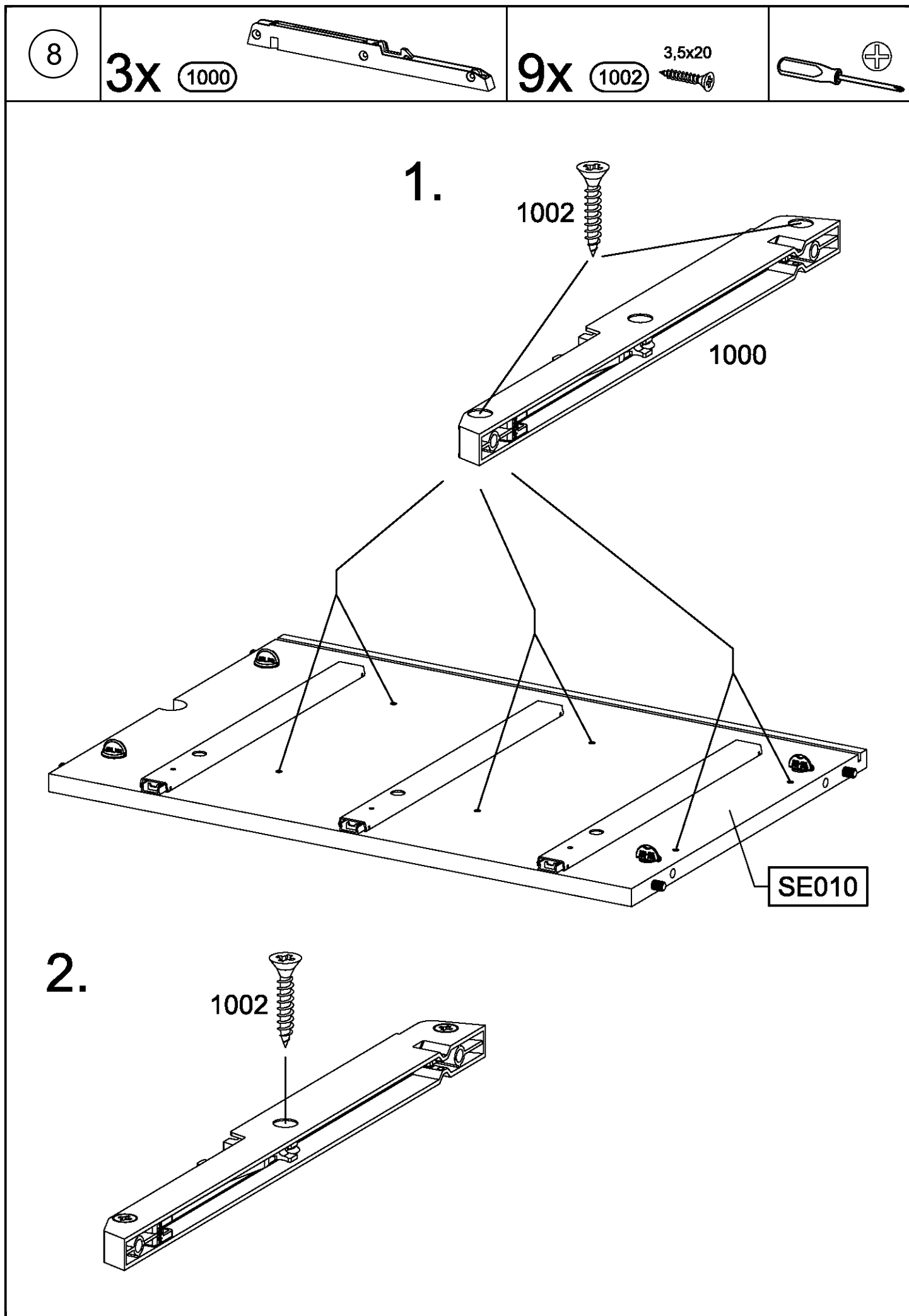
3x 259



7

6x 1003 6x12



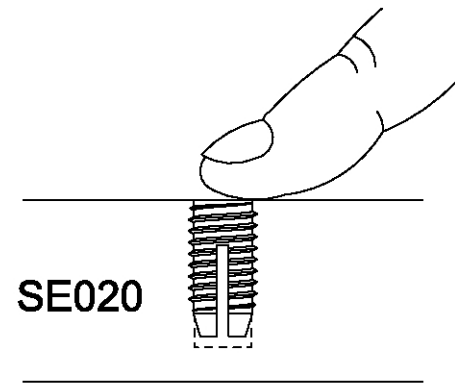
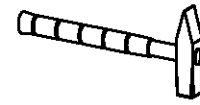


10

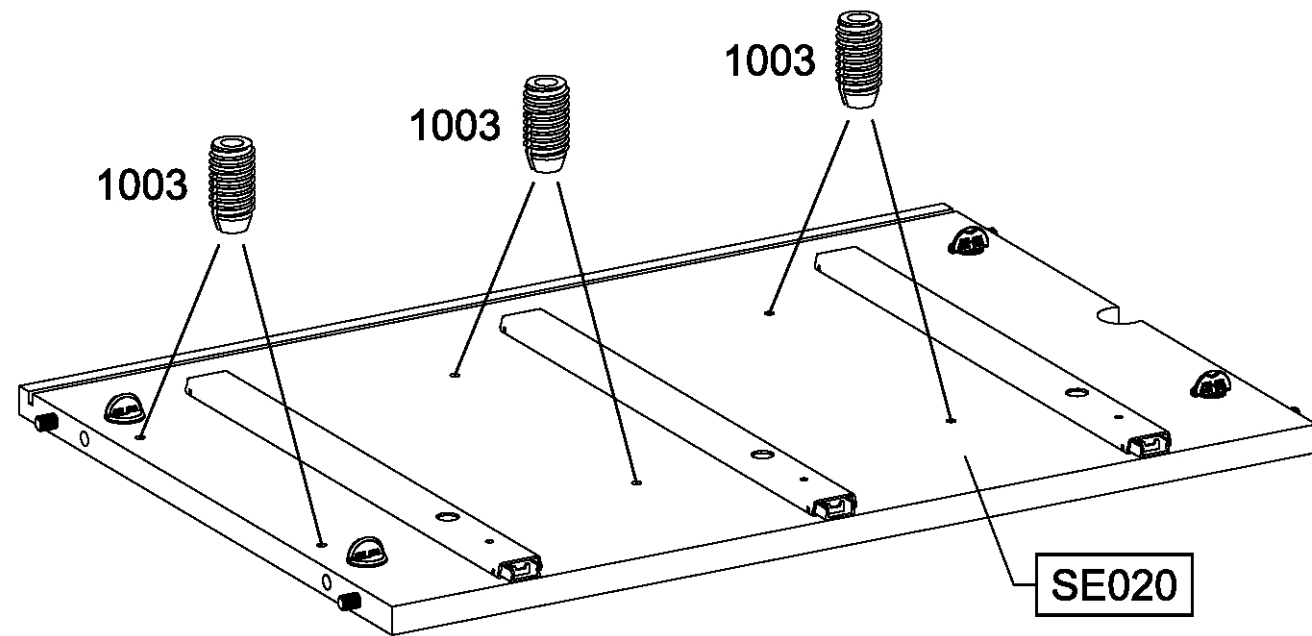
6x

1003

6x12



SE020

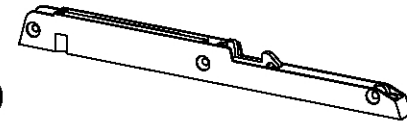


SE020

11

3x

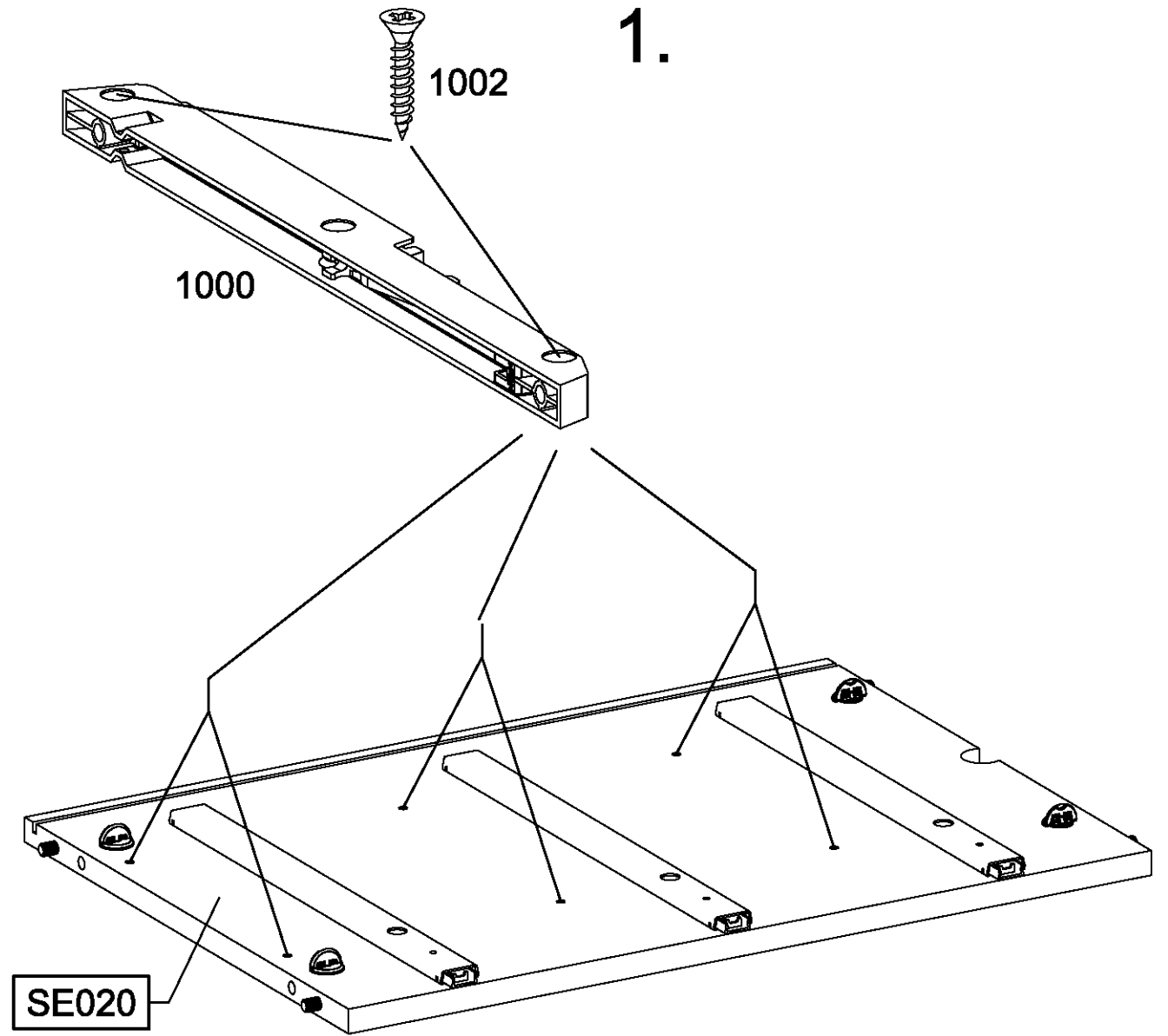
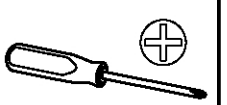
1000



9x

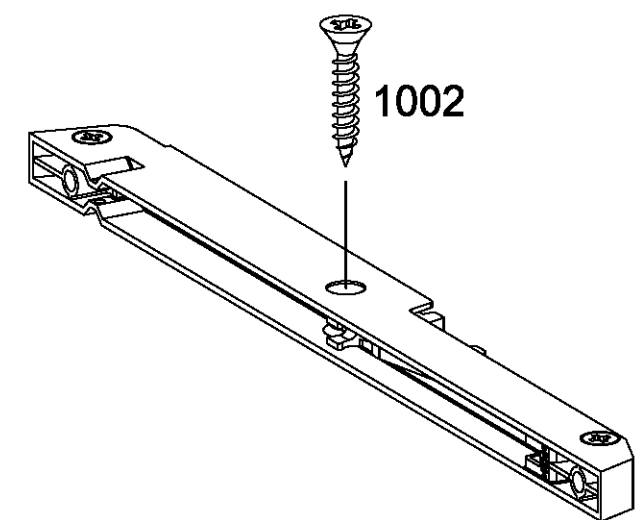
1002

3,5x20



1.

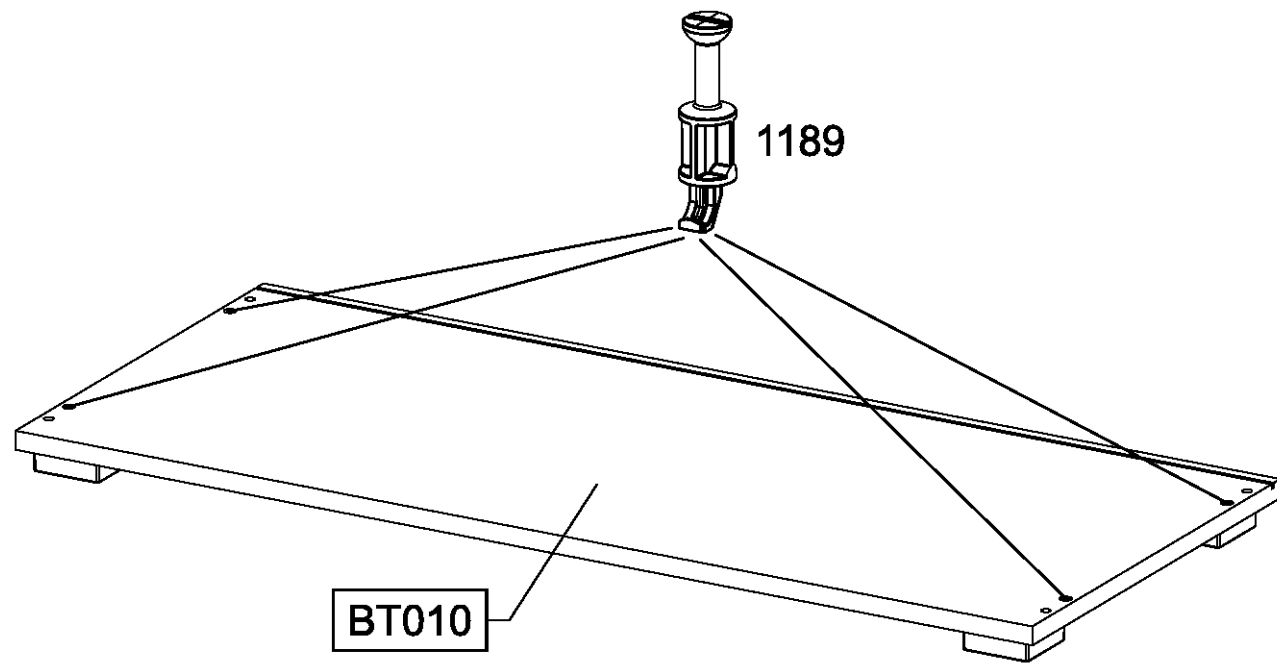
SE020



2.

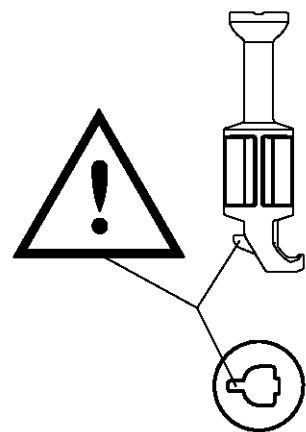
12

4x 1189

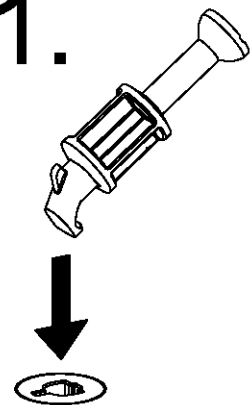


BT010

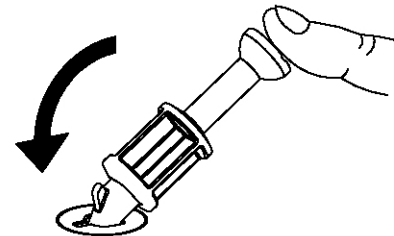
1189



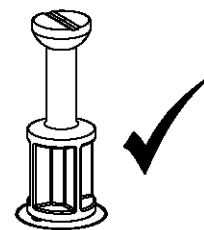
1.



2.



3.

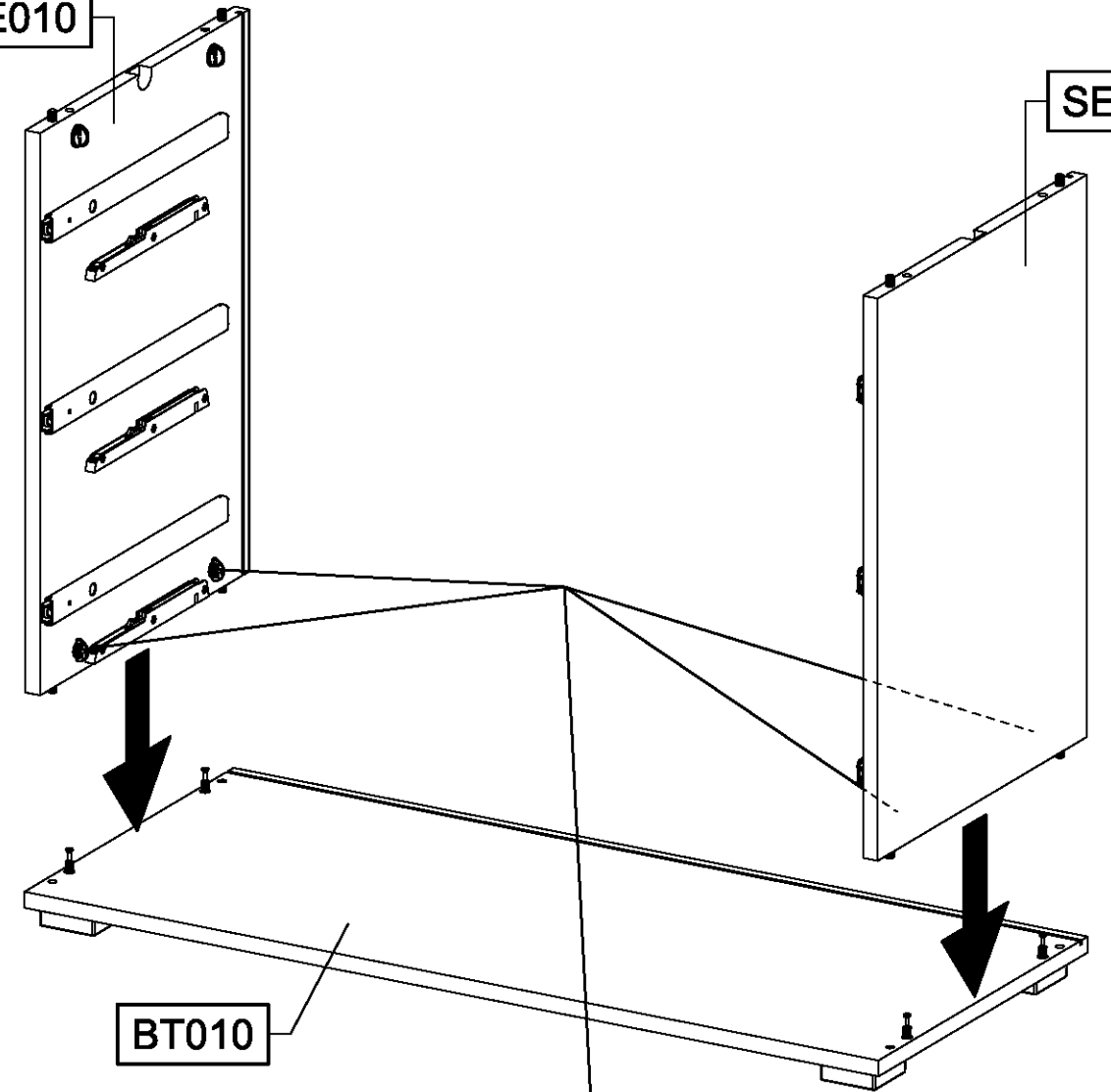


13



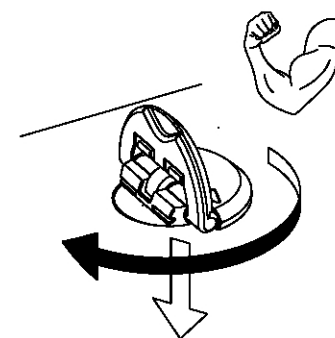
SE010

SE020

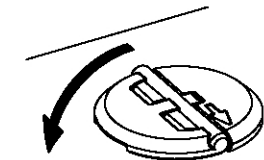


BT010

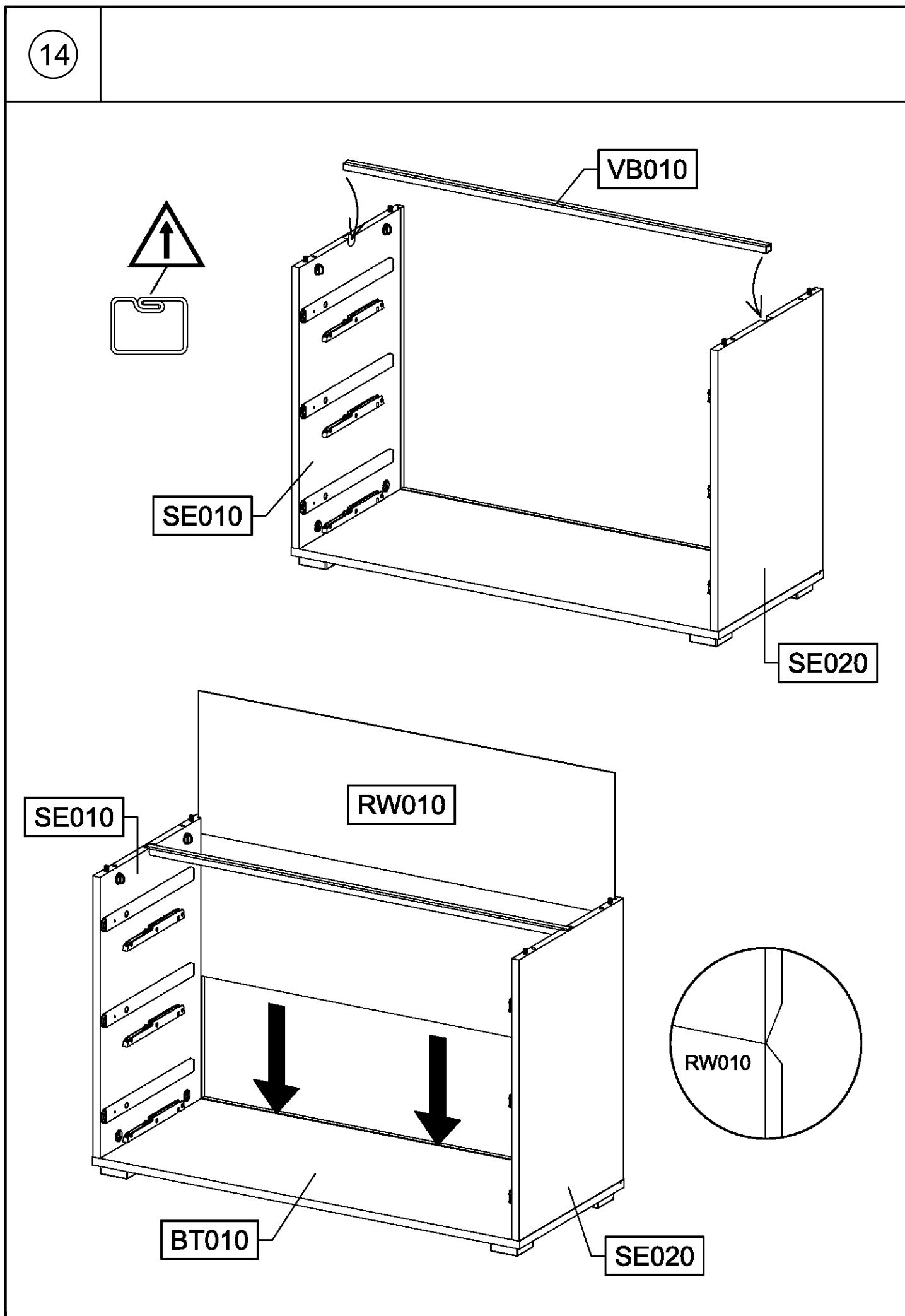
1.



2.

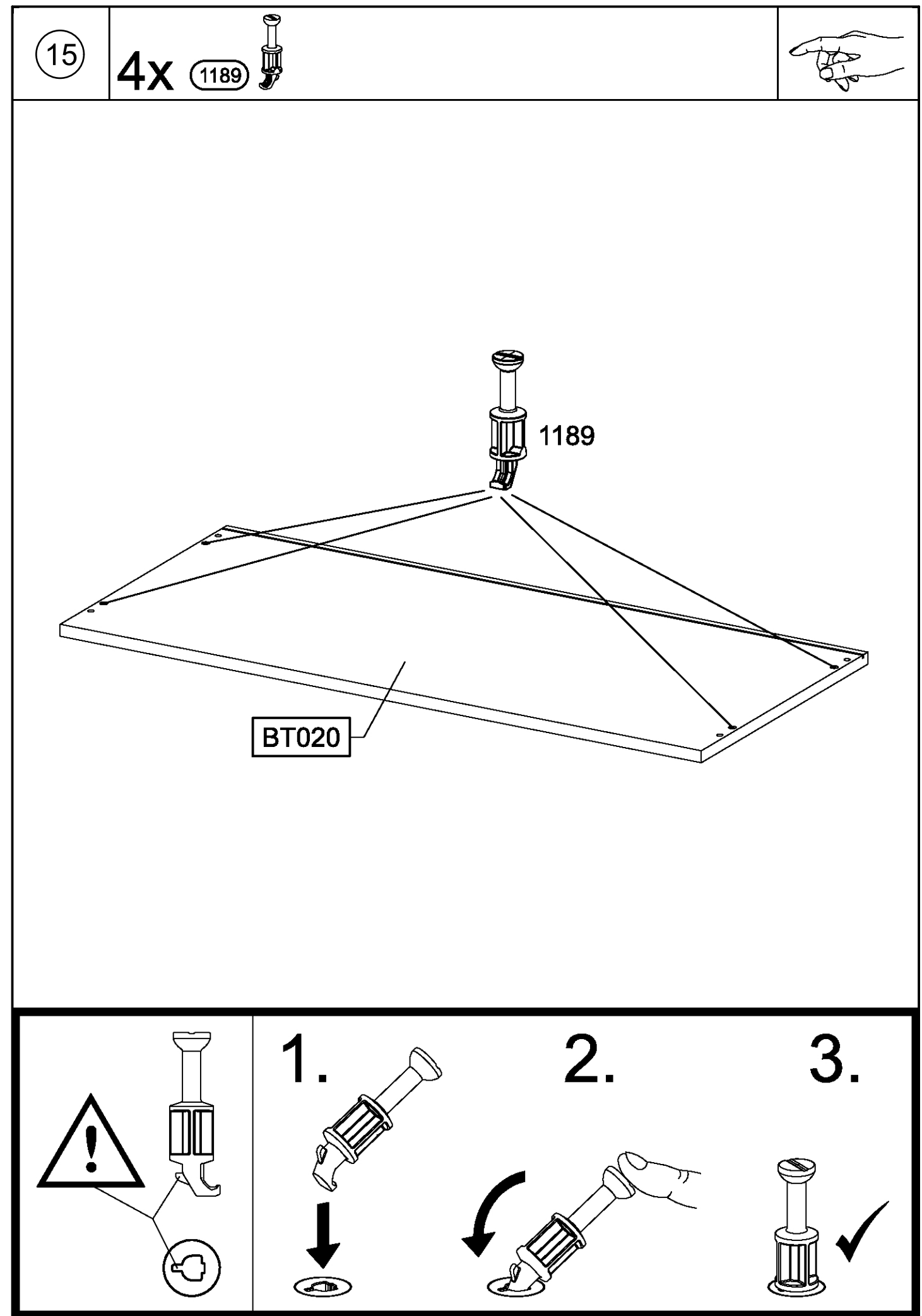


14

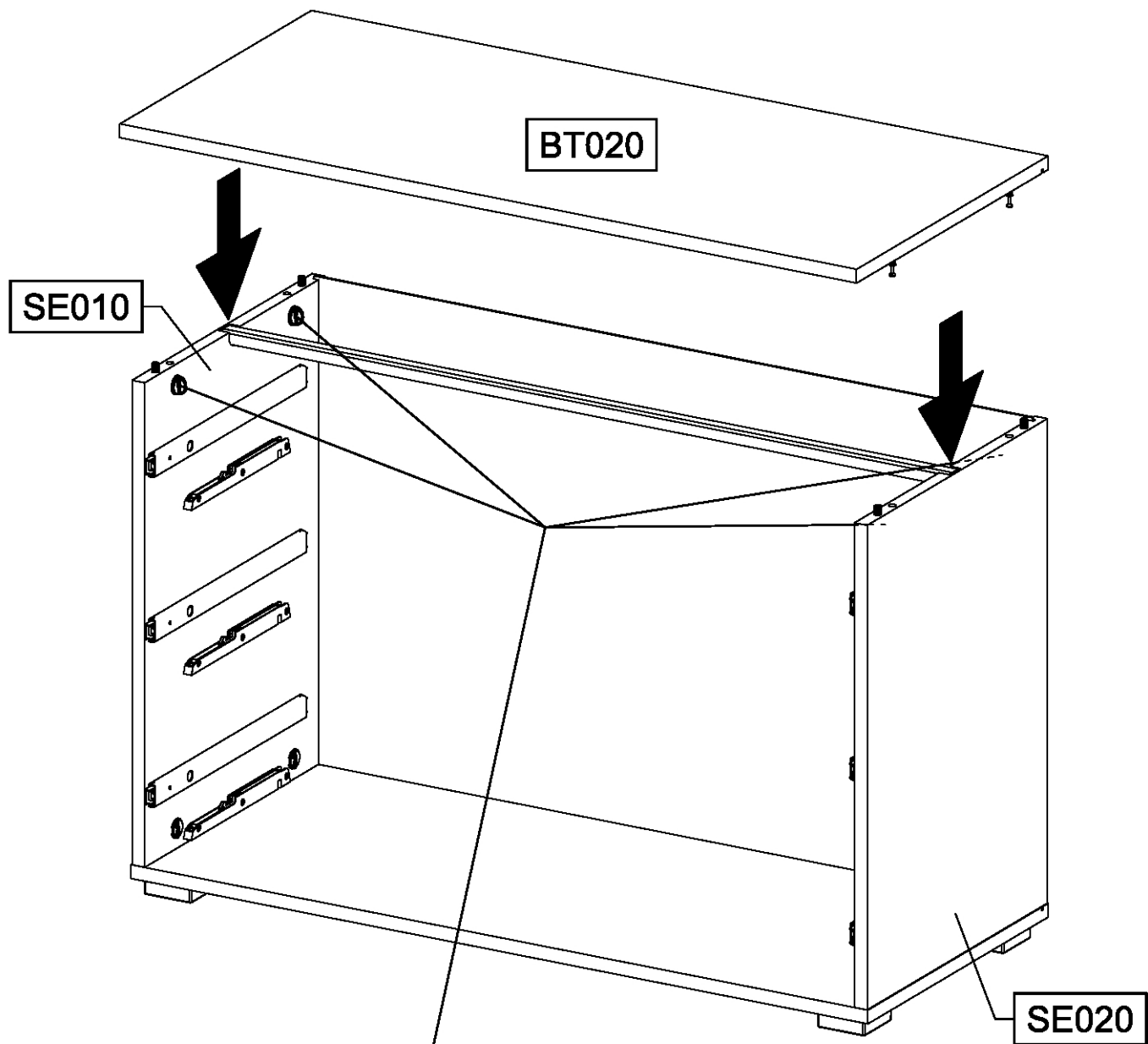


15

4x 1189

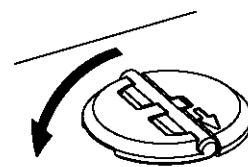
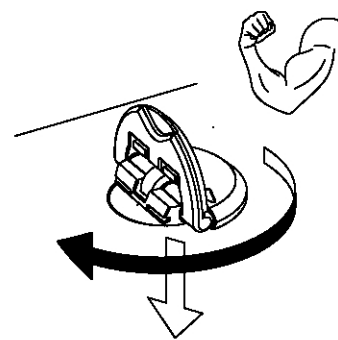


16



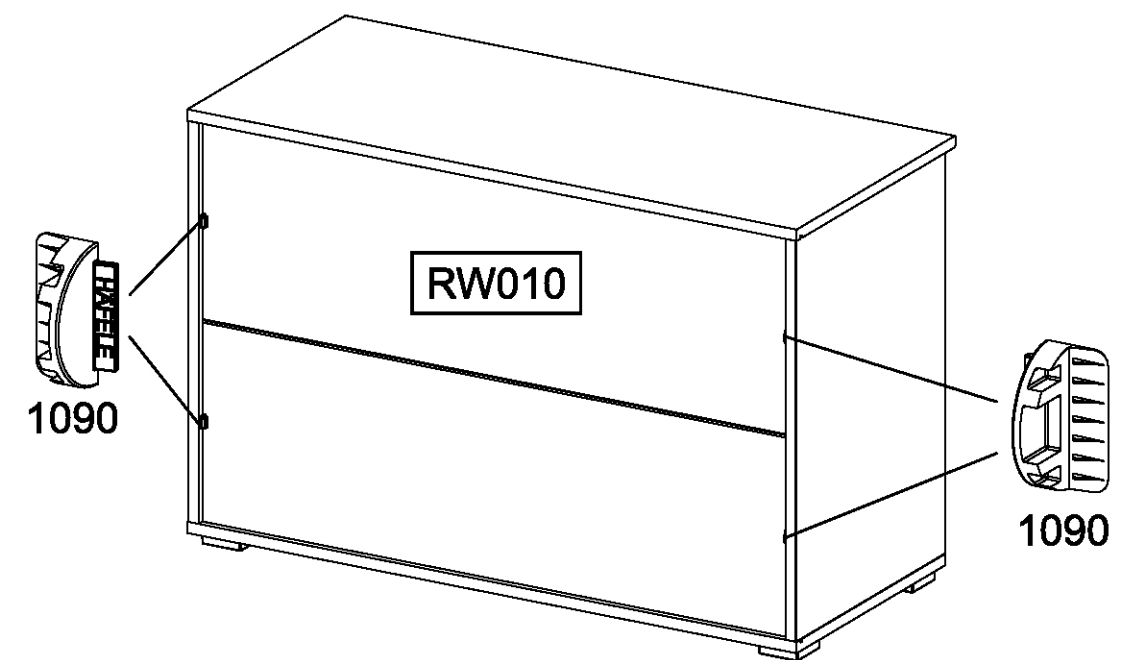
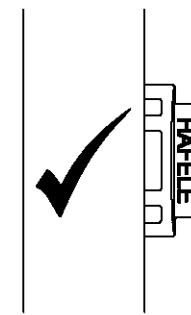
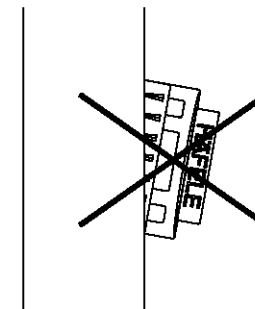
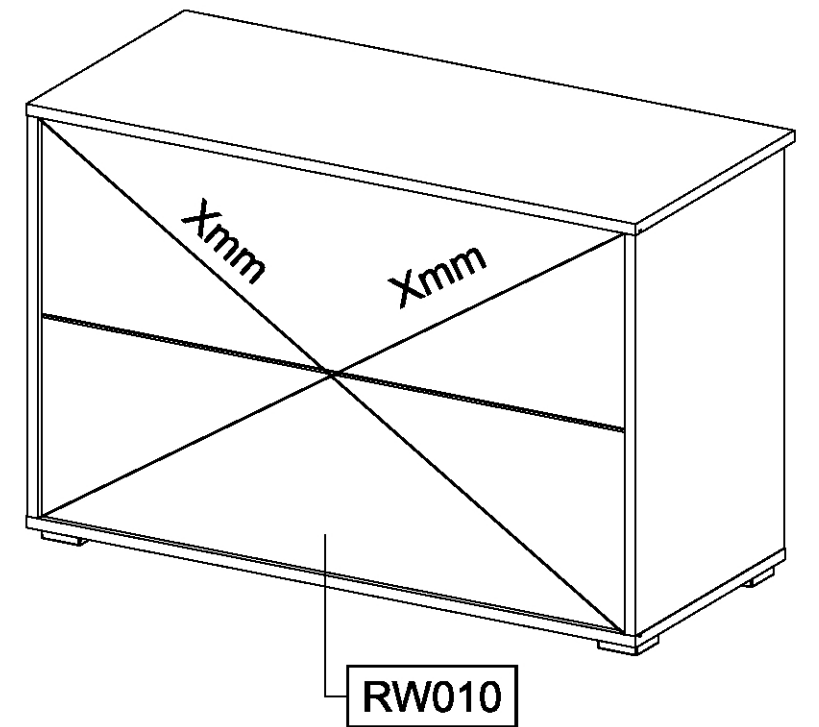
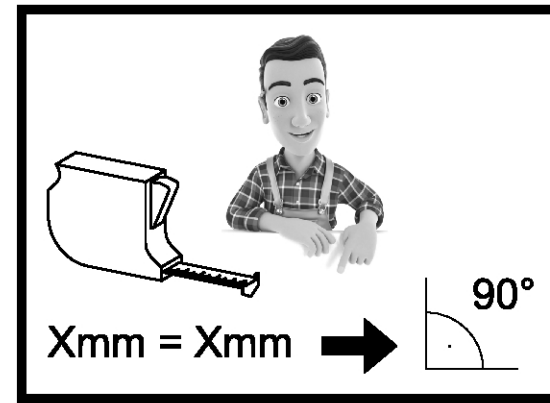
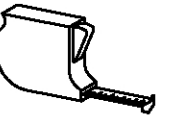
1.

2.



17

4x 1090



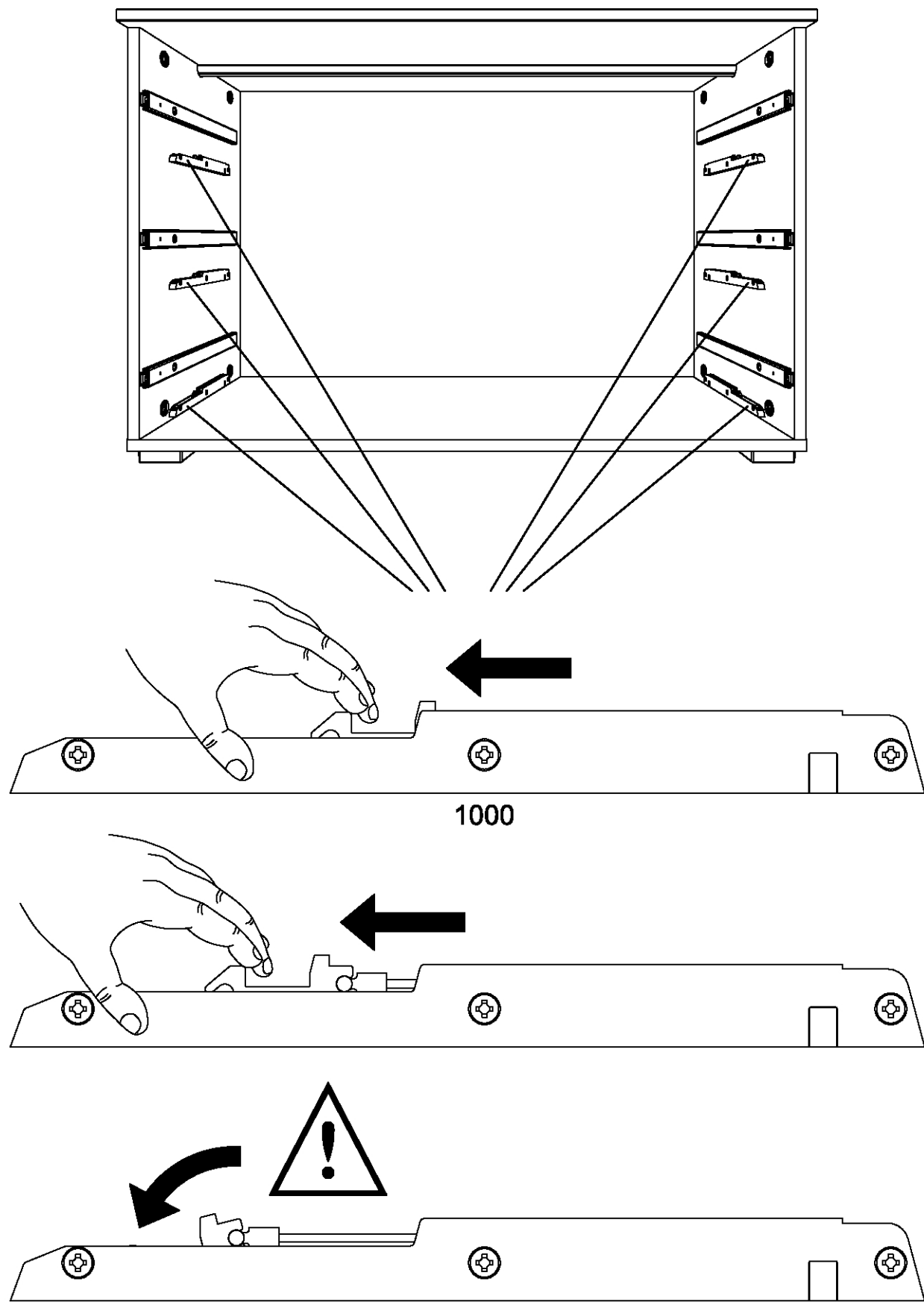
SE010  
SE020

RW010

1090

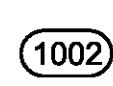
1090

18



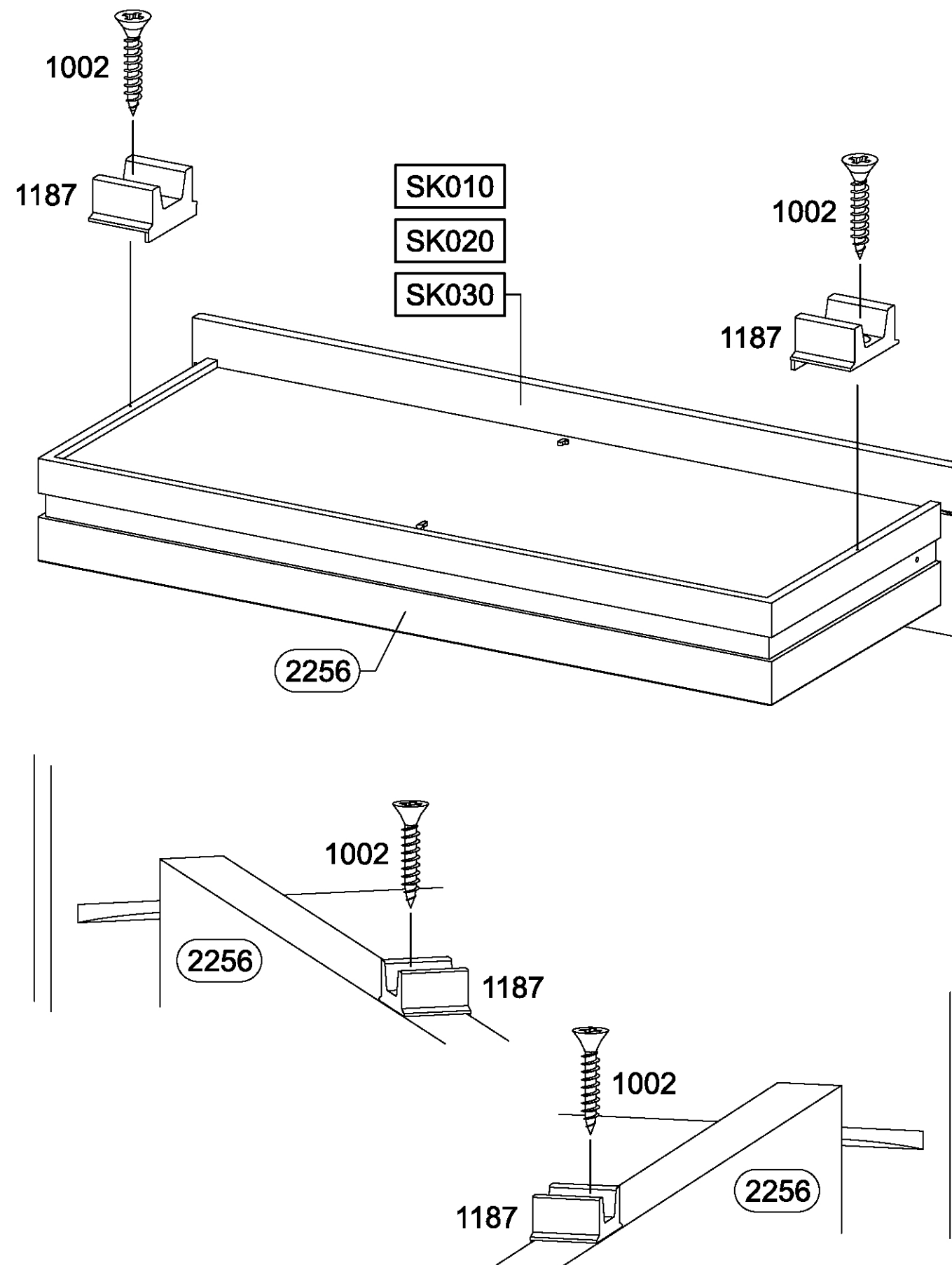
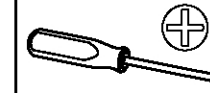
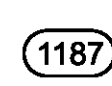
19

6x



3,5x20

6x

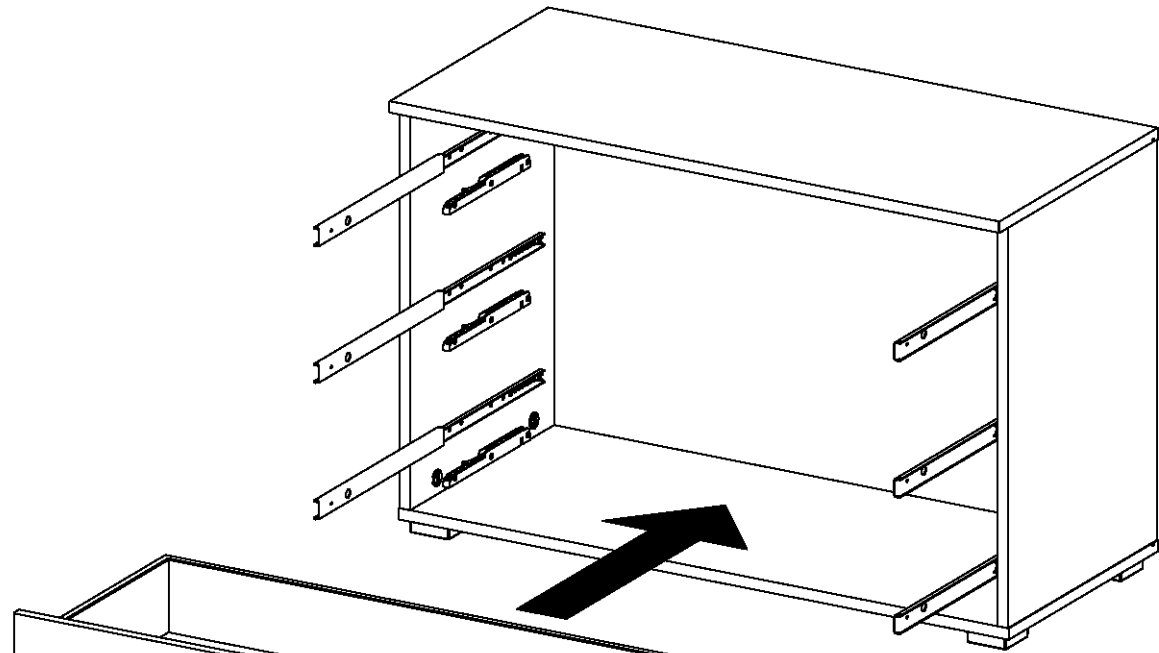


20

6x

568

M4x9



SK010

SK020

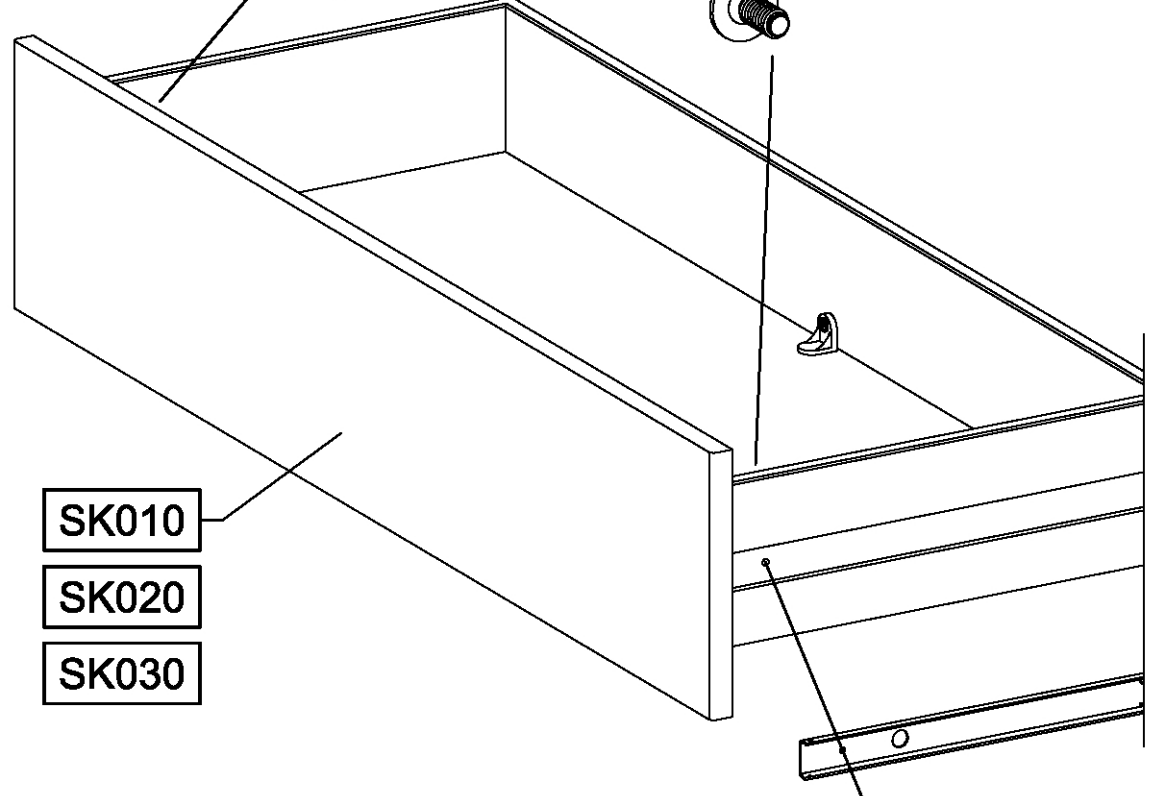
SK030



568



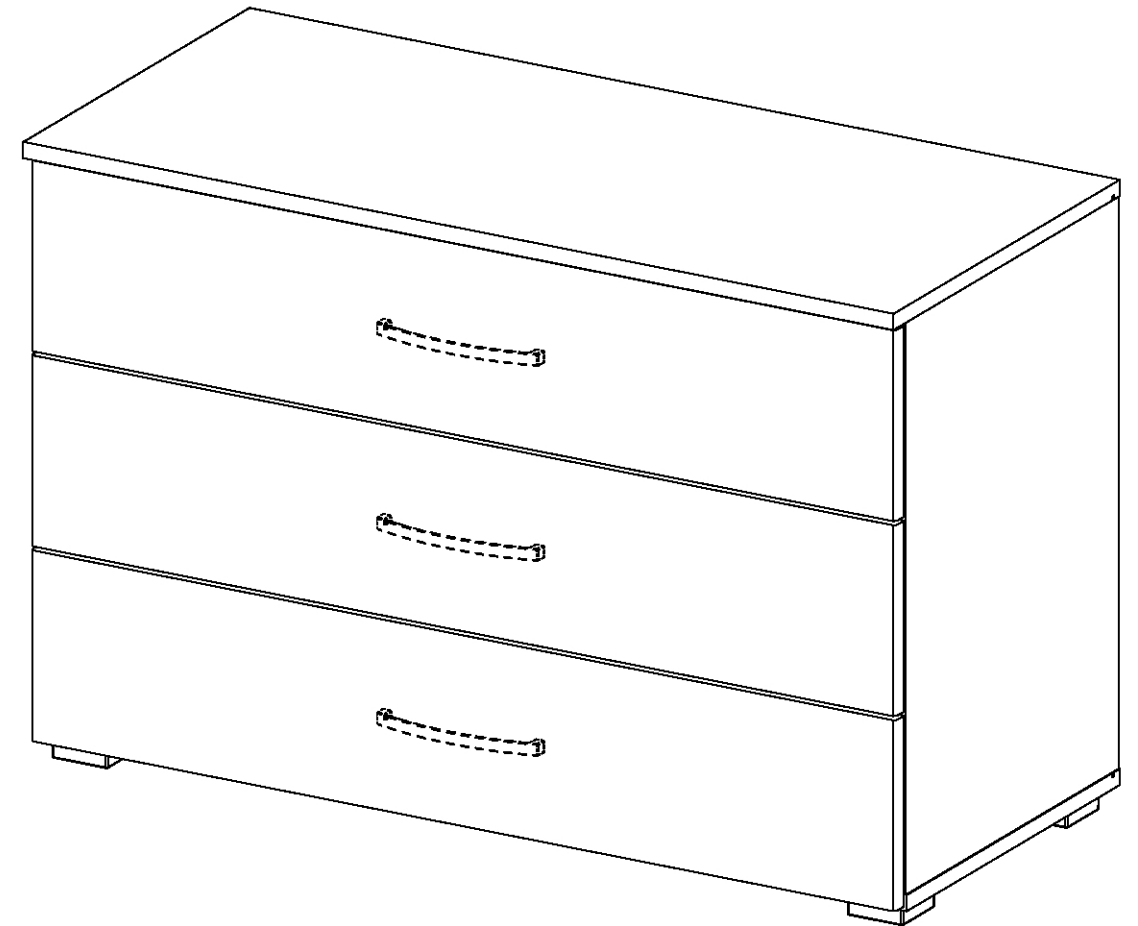
568



SK010

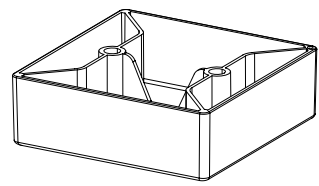
SK020

SK030



MZ044\_02

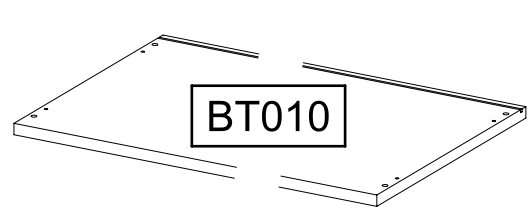
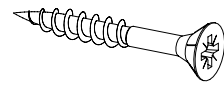
rauch



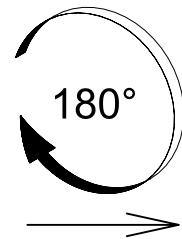
FU010

4x30

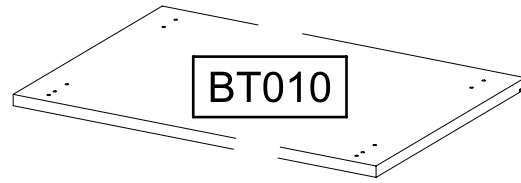
213



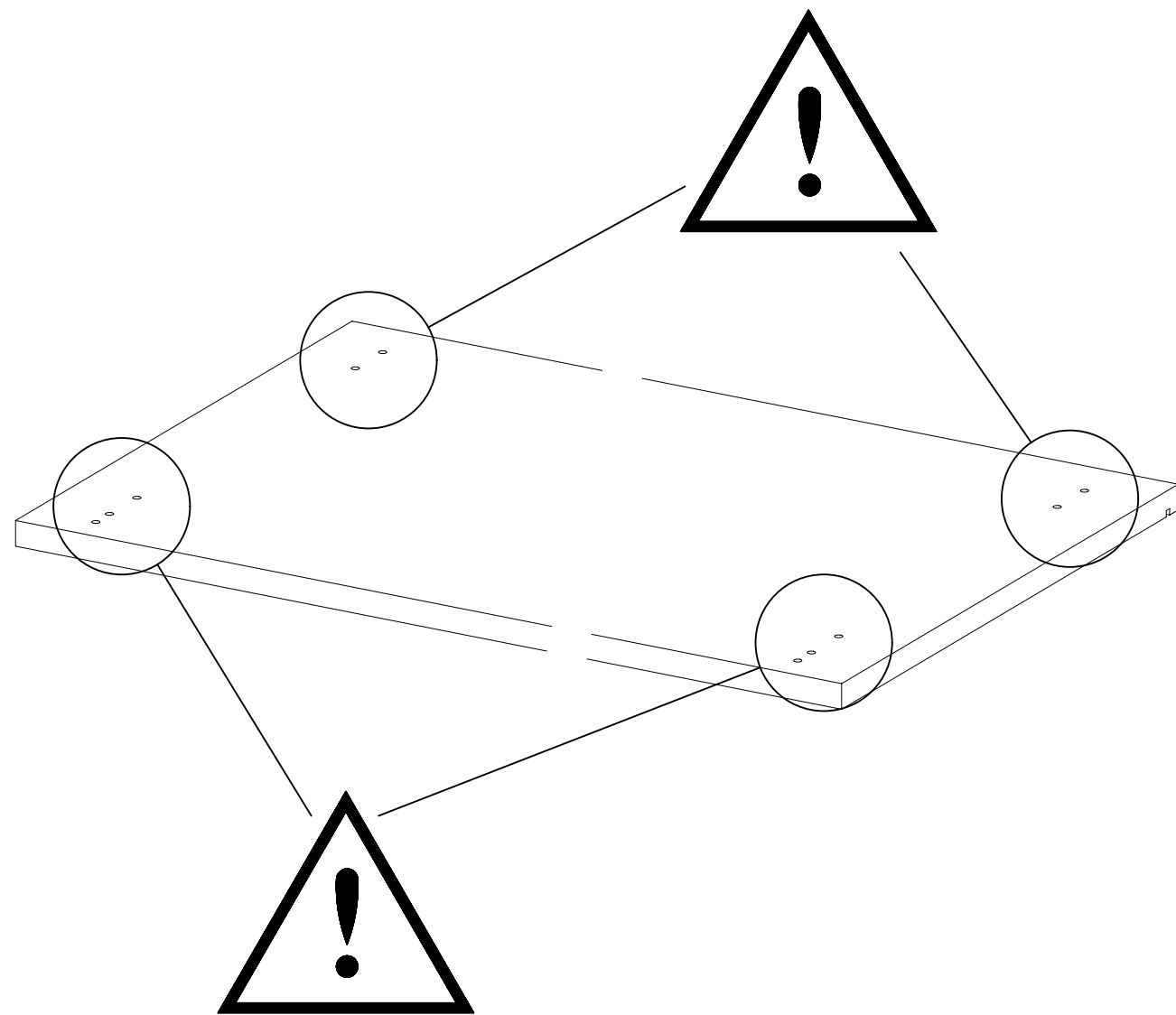
BT010



180°



BT010

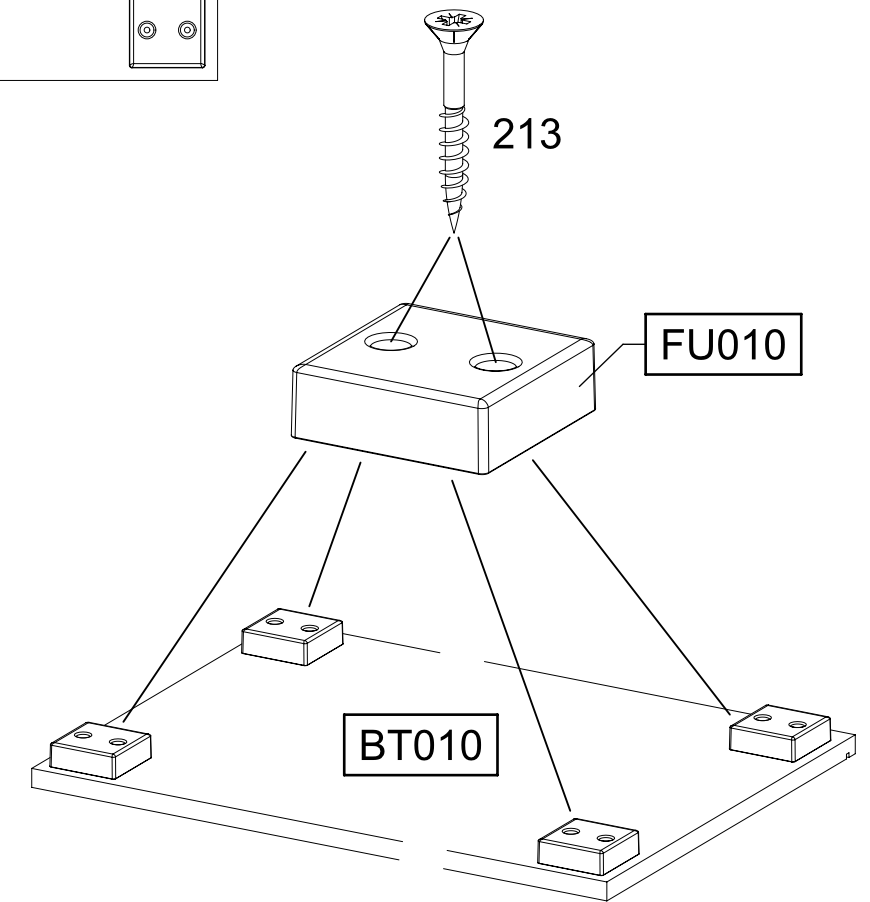
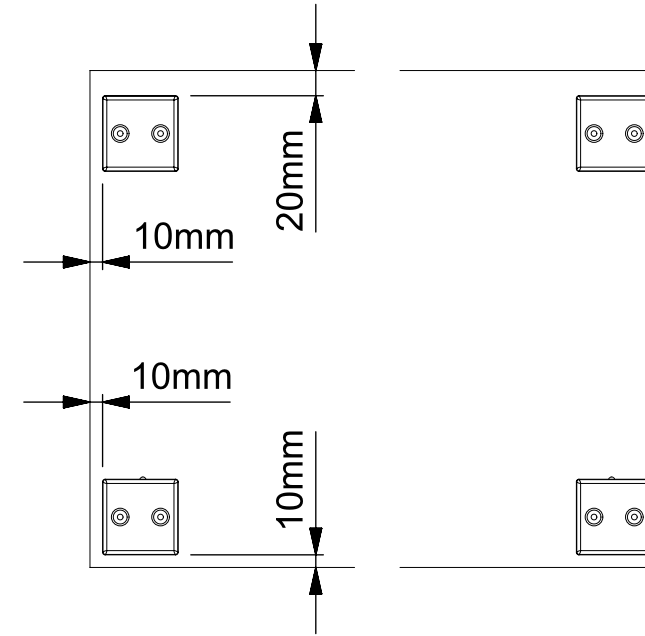
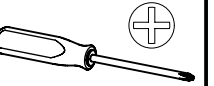
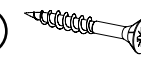


1

8x

213

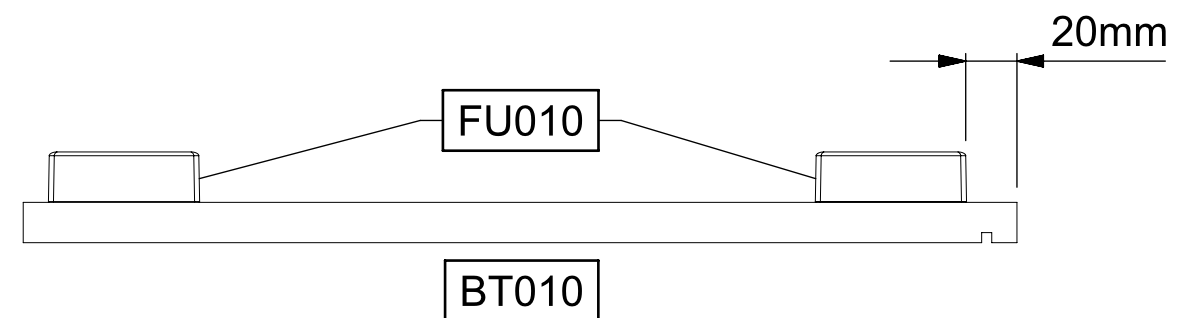
4x30



FU010

BT010

213



20mm

FU010

BT010

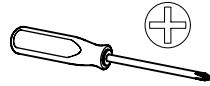
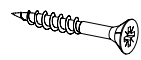
3.

2

2x

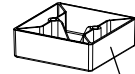
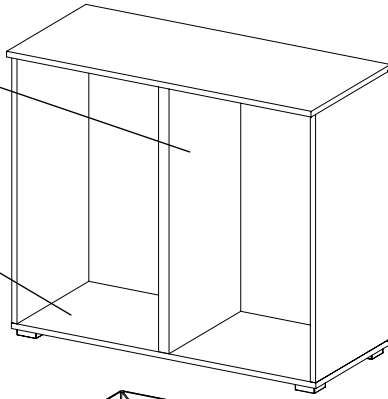
213

4x30



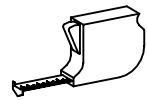
MS010

BT010

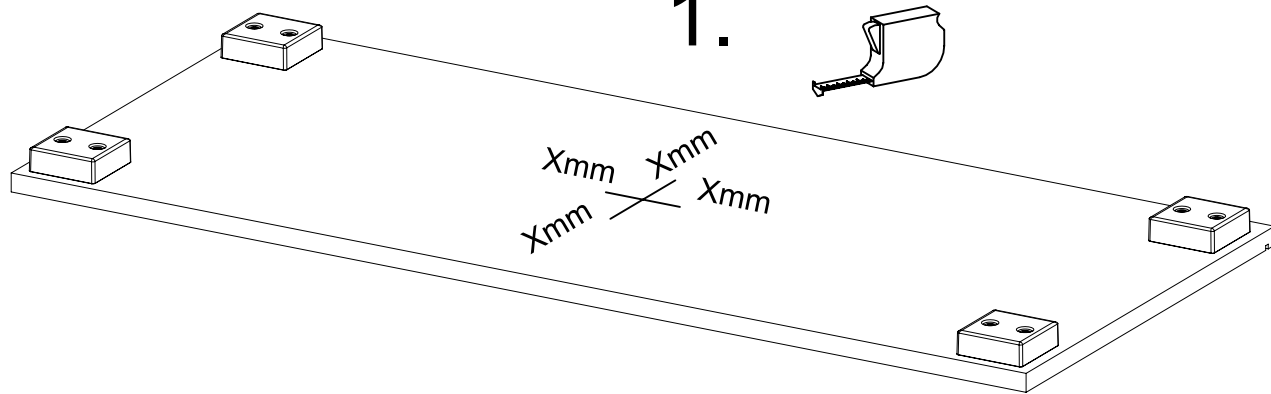


FU010

1.



Xmm Xmm  
Xmm Xmm

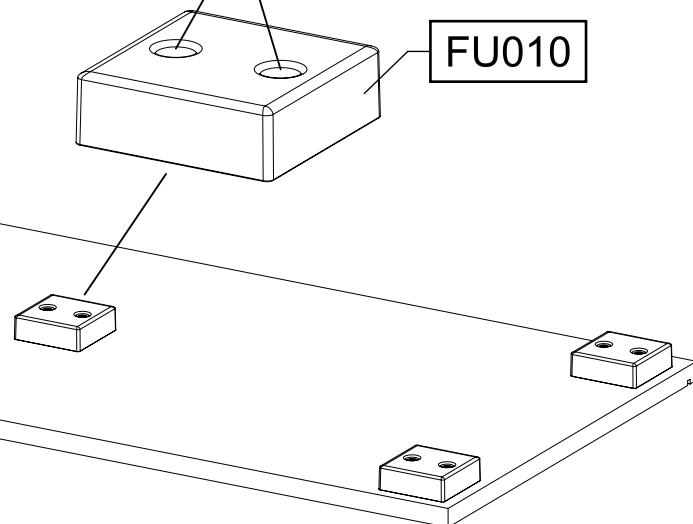


2.



213

FU010



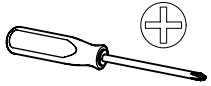
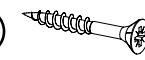
4.

3

2x

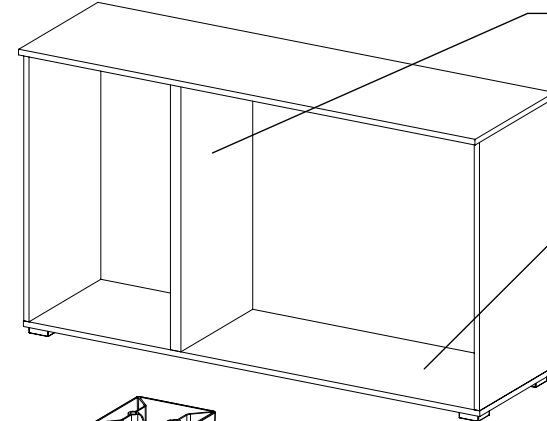
213

4x30

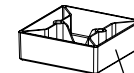


MS010

BT010

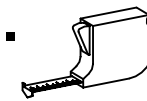


FU010

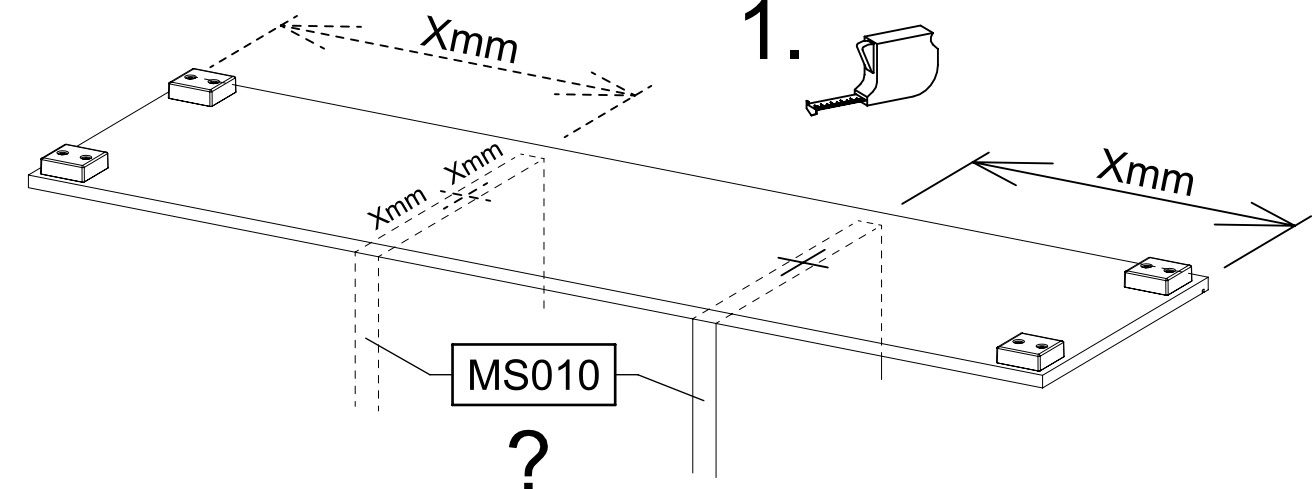


FU010

1.



Xmm Xmm  
Xmm Xmm Xmm



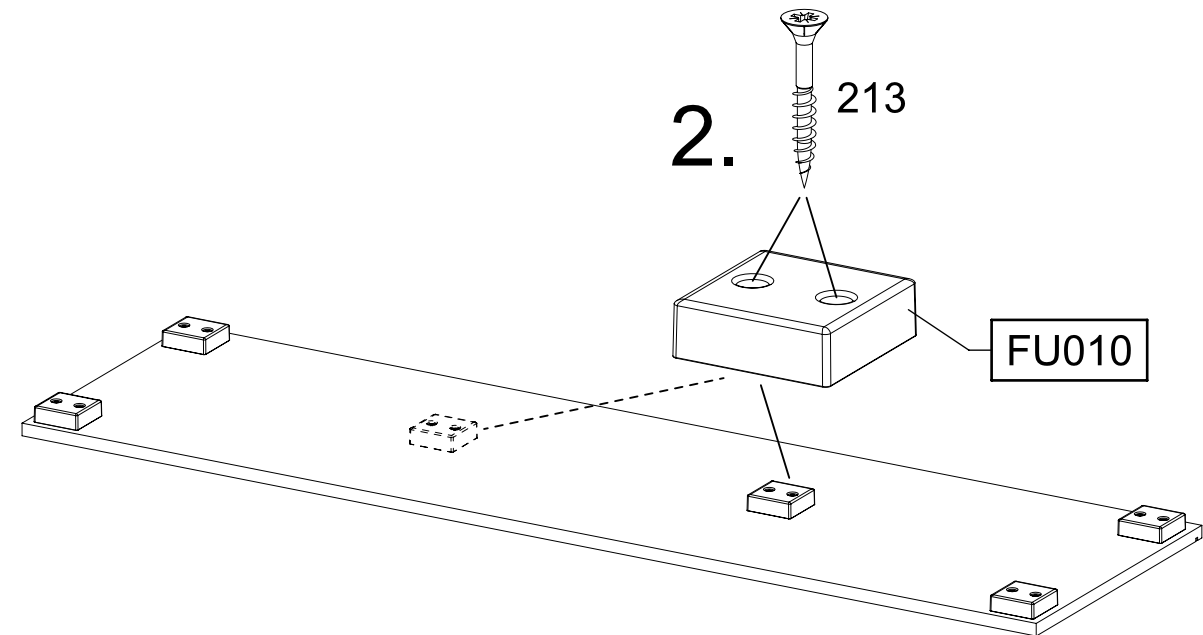
?

2.



213

FU010



4

4x

213

4x30

