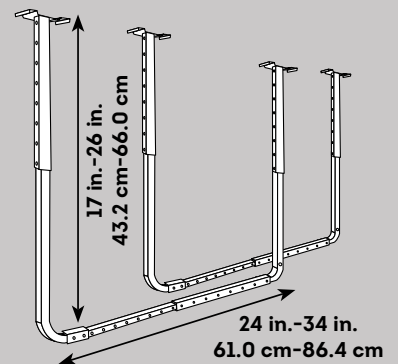




## Ceiling Storage Rack with Adjustable Height and Width

This 30 in. x 26 in. Ceiling Storage Rack is great for the garage, basement, attic, under decks and porches or any other place that needs extra storage. These units adjust to accommodate any ceiling joist configuration. The rack is width adjustable from 24 in. to 34 in. and height adjustable from 17 in. to 26 in. It can be used with or without a platform. Provides easy out-of-the-way storage for long-handled tools, lumber, kayaks and more. With the unique ceiling mount, the rack also can be attached below and onto an existing Ceiling Storage Unit, creating a second tier of storage. Made of durable steel with an attractive, scratch resistant powder coat finish in white. Holds up to 200 lbs. per pair of racks (lumber not included).



### Product Information & Details

- Holds up to 200 lbs. per pair of racks
- The unit is height adjustable from 17 in. to 26 in. and fits almost any joist spacing
- Can be used with or without a platform
- Provides easy out-of-the-way storage for long-handled tools, lumber, kayaks and more
- With the unique ceiling mount, the rack also can be attached below and onto an existing Ceiling Storage Unit, creating a second tier of storage



Item	Description	Finish	Individual Carton Dimensions			Unit Pack Qty	Unit Weight (lbs.)	Pallet Dimensions			Pallet Qty	Pallet Weight (lbs.)	UPC	Retail Packaging Language
			L	W	D			L	W	D				
	Ceiling Kit Support Bars	White	5.15	17.1	3.5	1	7.35	45.67	23.23	36.61	80	642		English
	Ceiling Kit Support Bars	White	5.15	17.1	3.5	1	7.35	45.67	23.23	36.61	80	642		English/French