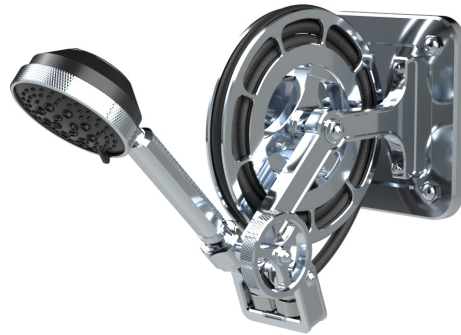


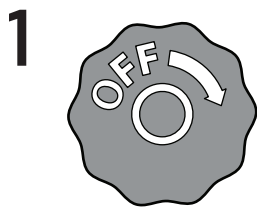
# ARGONAUT

## RETRACTABLE WALL MOUNT WHEEL HAND SHOWER

Model #:  
AG254-1



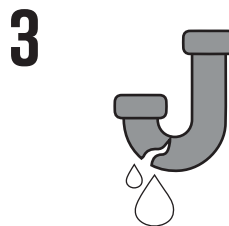
### BEFORE YOU BEGIN YOUR INSTALLATION:



Turn off water supply.



Observe all local plumbing codes.



Inspect plumbing for signs of damage. Replace as necessary.



**DO NOT** use petroleum based products on this faucet.

### REQUIRED TOOLS AND MATERIALS:



Phillips Screwdriver



1 /4" Hex Key Wrench



Adjustable Wrench



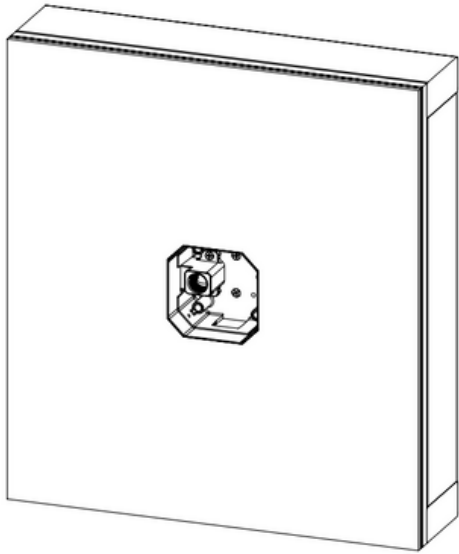
Drill

WARNING: Cancer and reproductive harm -see [www.P65Warnings.ca.gov](http://www.P65Warnings.ca.gov)

### IMPORTANT

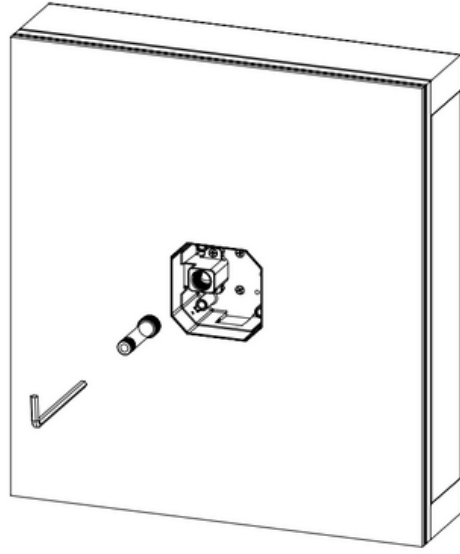
- Read these instructions and plan the installation before beginning.
- Risk of product damage. Do not apply direct heat to the valve. Excessive heat will damage the plastic components and plaster guard. •A mixed water supply is required for this product.
- Component location, spacing, and situational requirements can vary.

1



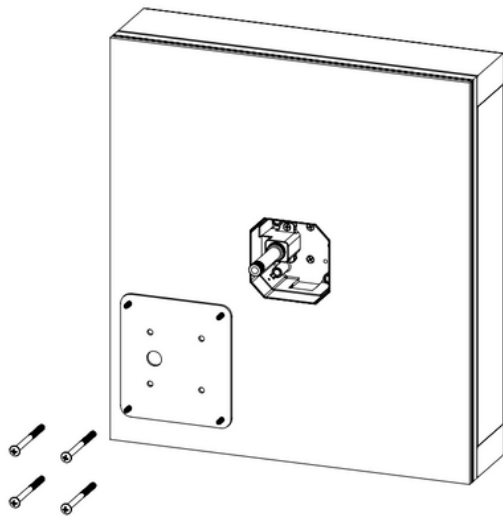
Cut mud guard flush to finish wall.

2



Using a 1/4" Hex Key, Install the 1/2" NPT Injector into the elbow.

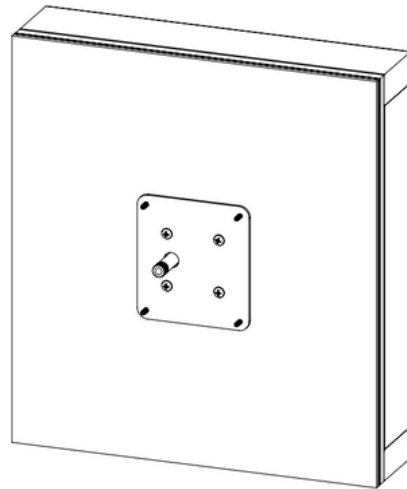
3



Inspect O rings to ensure they are free of any cuts. Apply NSF compliant O - ring Lube.

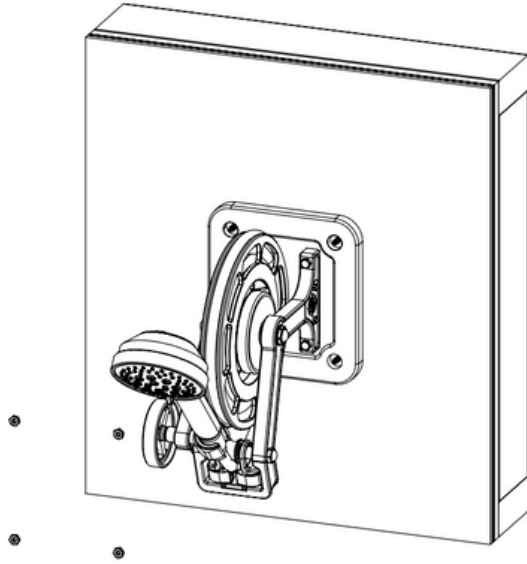
Using the provided 1/4"-20 screws, fasten the back plate to the finish wall.

4



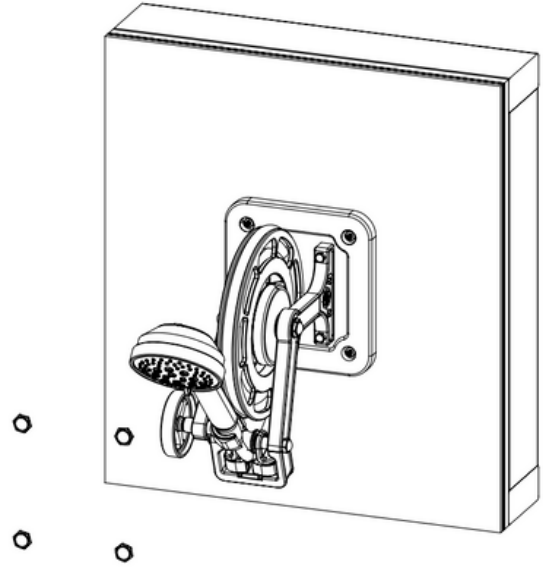
Slide the trim onto the NPT injector carefully making sure not to damage the o - rings. Align the 4 corner holes to the threaded studs on the back plate and push flush against the finish wall.

5



Using the provided nuts, tighten the trim onto the back plate.

6



Once the trim is fastened to the wall use the provided deco nuts on all 4 corners. Thread them onto the threaded studs until they are flush with the trim plate.