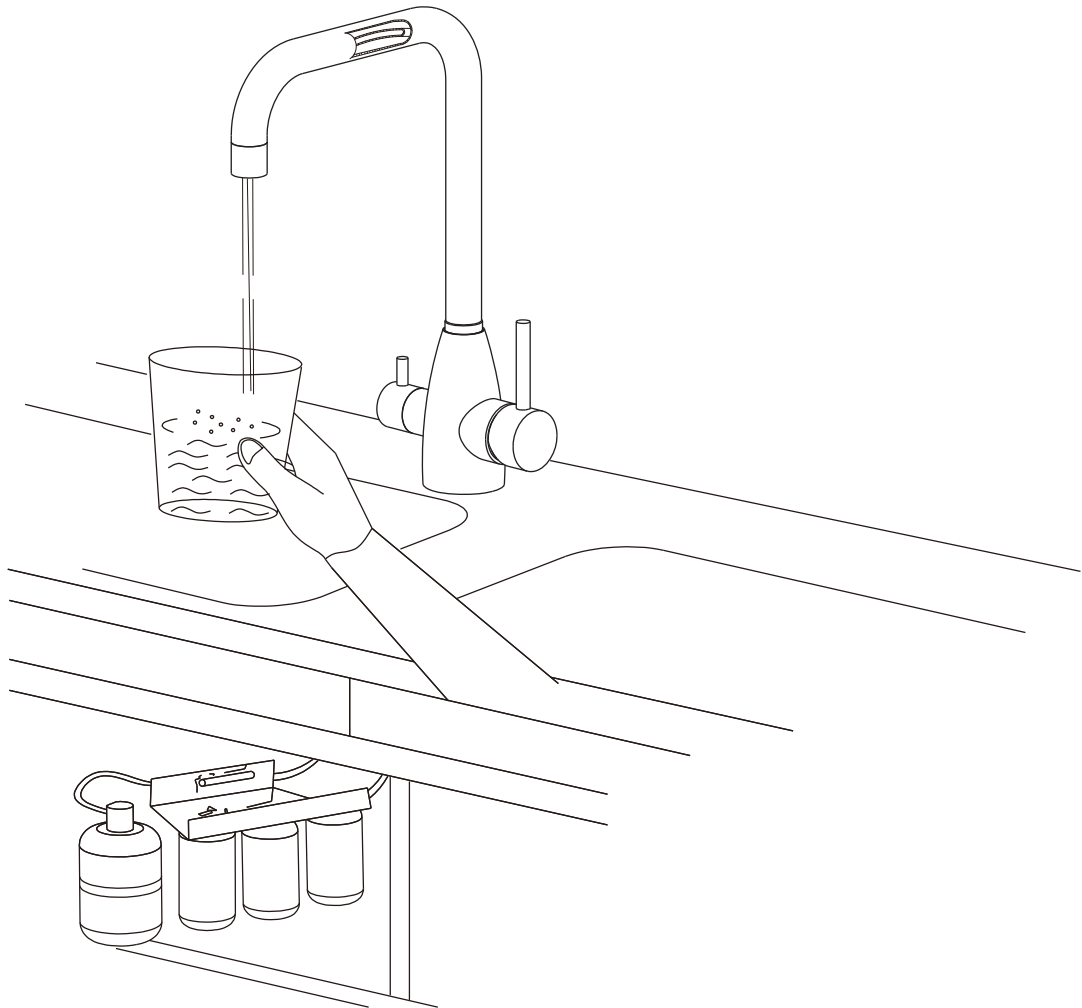




Hommix Olaf 3-Way Tap



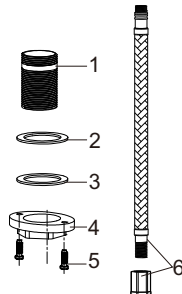
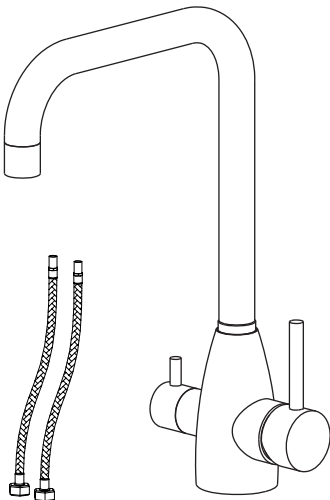
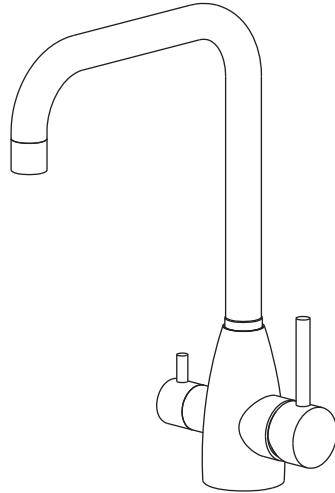
Hommix Olaf Three Way Kitchen Tap

Specifications

1. Ceramic valve cartridge
2. Flow rate: 2.2G/M base on 0.5Mpa
3. 1/4" Connector for filtered water tube
4. 2 x G-1/2" Flexible Hoses

Installation Tools

- Adjustable Spanner / Monkey Wrench
- 2.5mm Allen key

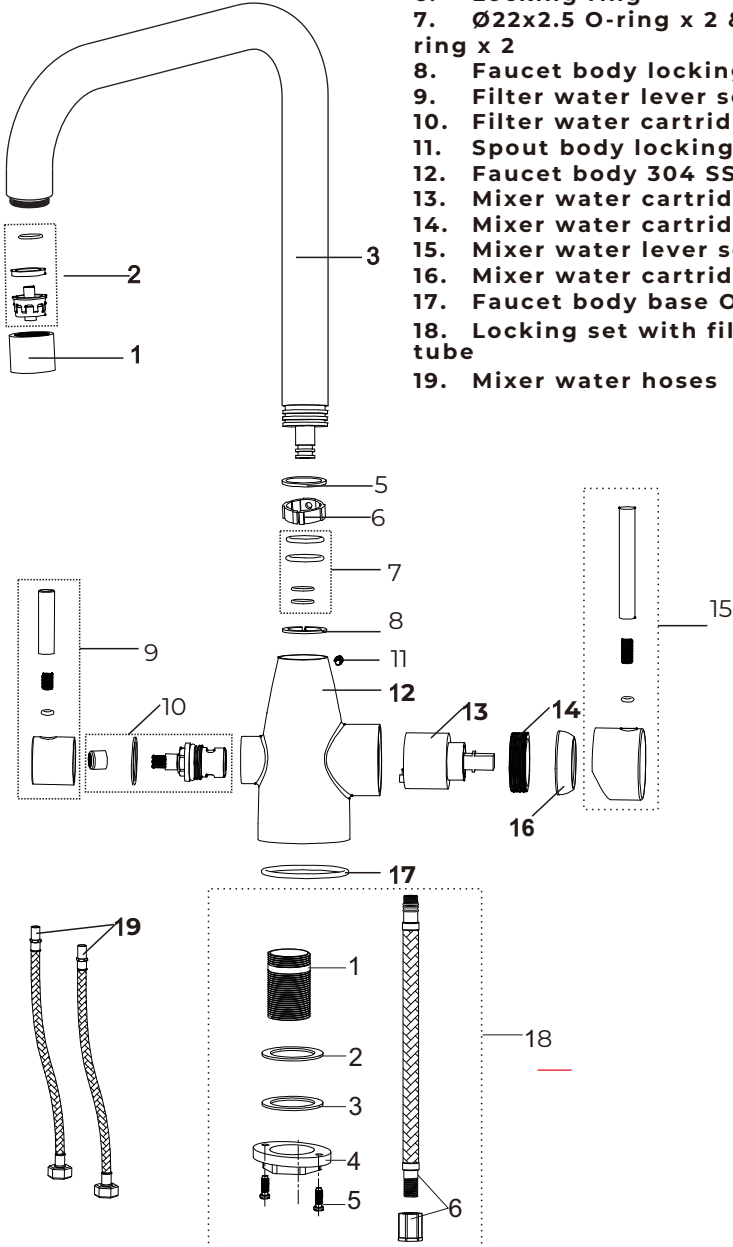


Accessories

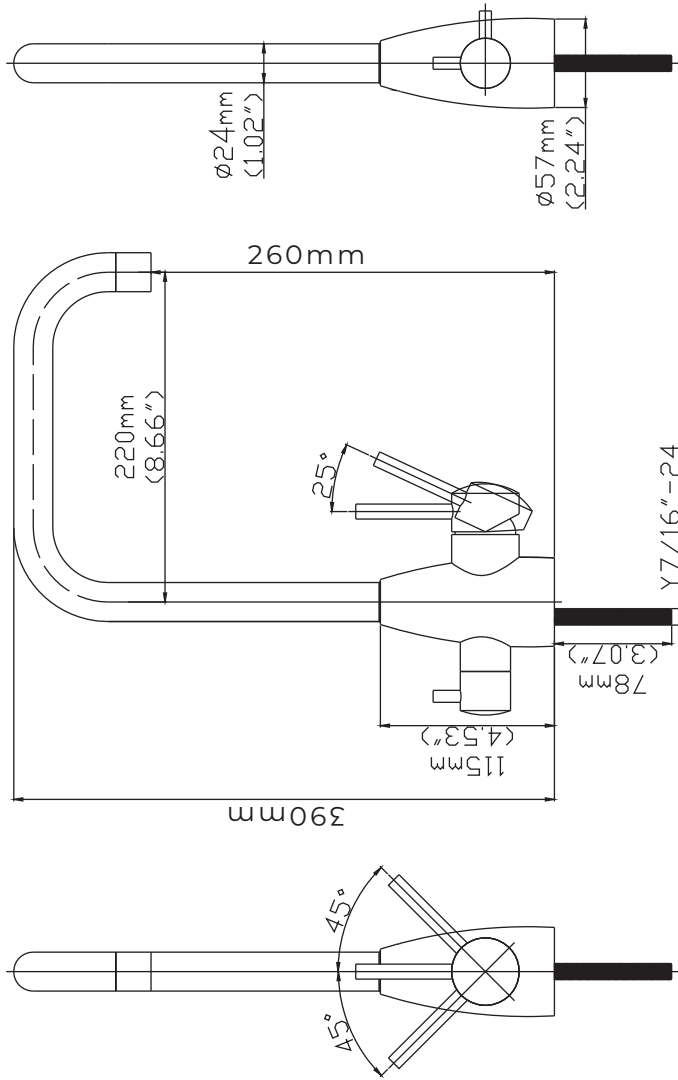
1. 1 Pc lock bolt
2. 1 pc rubber gasket
3. 1 Pc metal gasket
4. 1 Pc lock nut
5. 2 Pcs of fixing screws
6. 1 set filtered water pipe and a plastic adapter (1/4" push fit)
7. 2 Pcs hot and cold 600mm hoses

Parts

1. Mixer water spout tip
2. Mixer water integrated aerator
3. Spout Assembly
4. Spout/Faucet Body
5. Rubber ring
6. Locking ring
7. $\text{\O}22 \times 2.5$ O-ring x 2 & $\text{\O}14 \times 2.3$ O-ring x 2
8. Faucet body locking ring
9. Filter water lever set
10. Filter water cartridge set
11. Spout body locking nut
12. Faucet body 304 SS
13. Mixer water cartridge
14. Mixer water cartridge lock
15. Mixer water lever set
16. Mixer water cartridge cover
17. Faucet body base O-ring $\text{\O}54 \times 3$
18. Locking set with filter water tube
19. Mixer water hoses

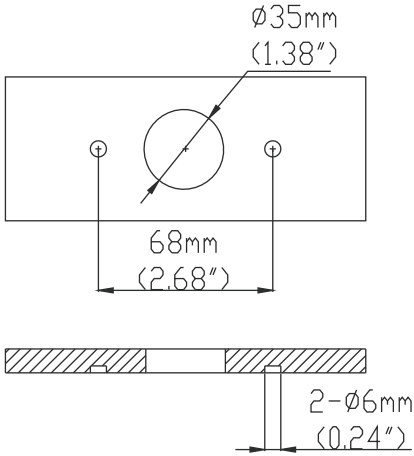


Profile Drawing



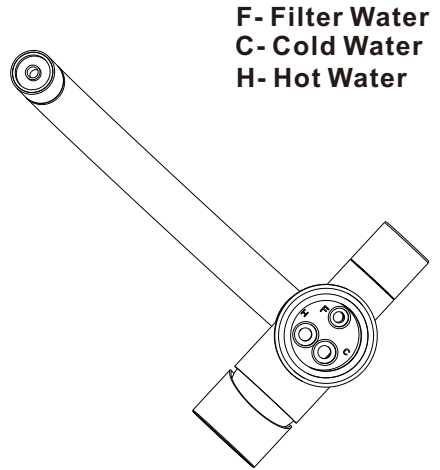
Important Note 1

You do not need to drill any holes, the illustration below demonstrate measurements of the lock nut screws



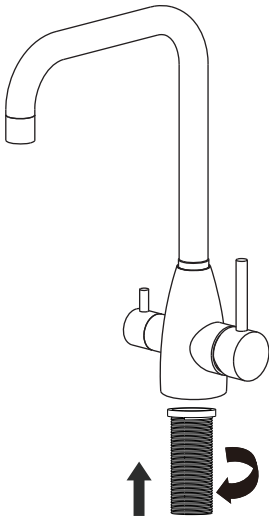
Important Note 2

Please ensure the tap hoses are attached to the correct positions as marked below.



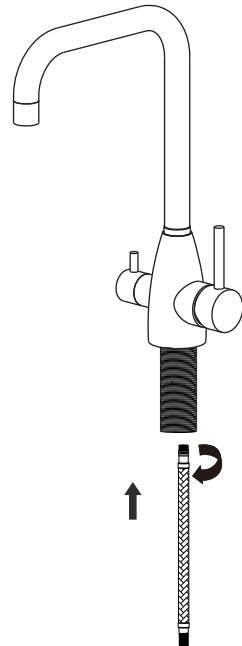
Step: 1

Attach the lock bolt to the tap



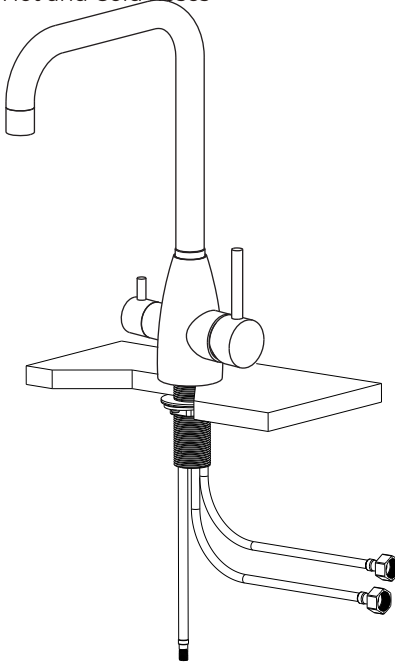
Step: 2

Attach the filter water hose



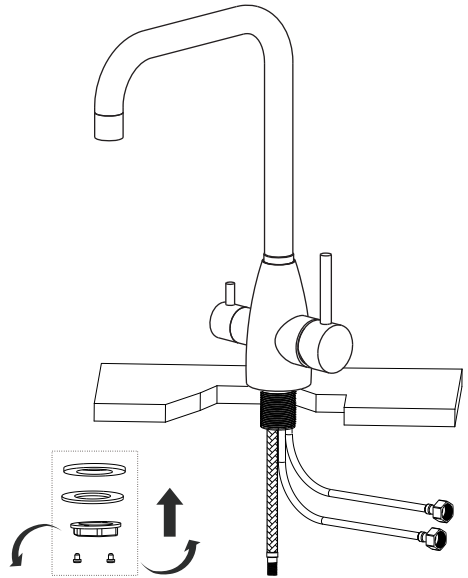
Step: 3

Attach the Hot and Cold hoses

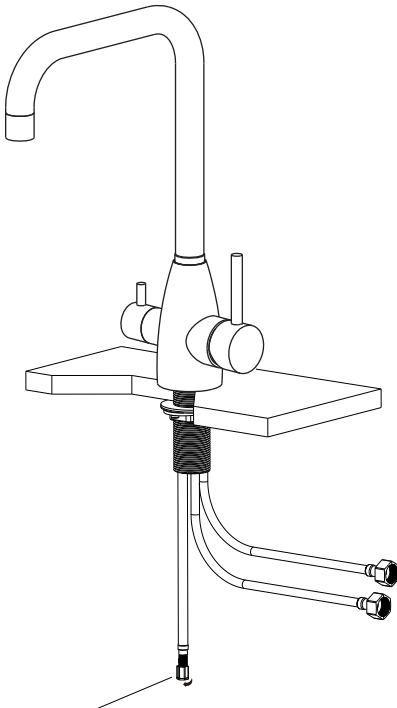


Step: 4

Insert the tap with the tubes attached through the hole and attach the rubber gasket, metal gasket and lock nut to the lock bolt

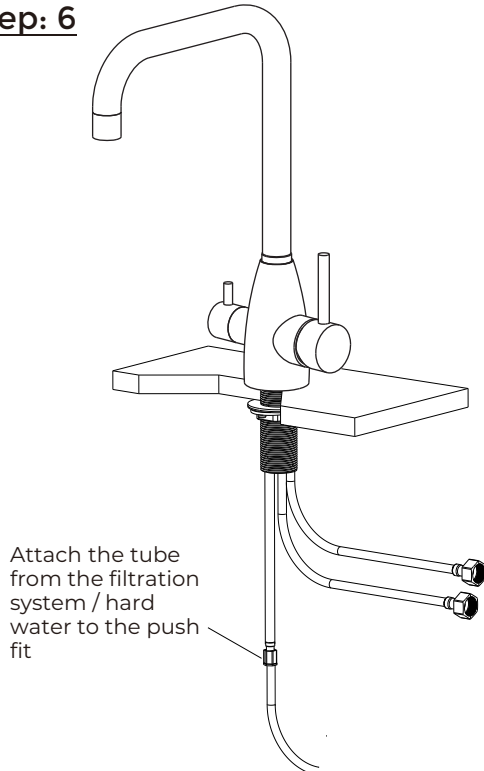


Step: 5



Attach the fitting to the pipe if it's not already attached

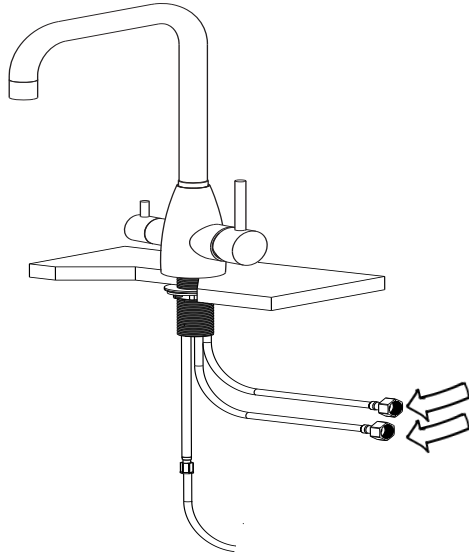
Step: 6



Attach the tube from the filtration system / hard water to the push fit

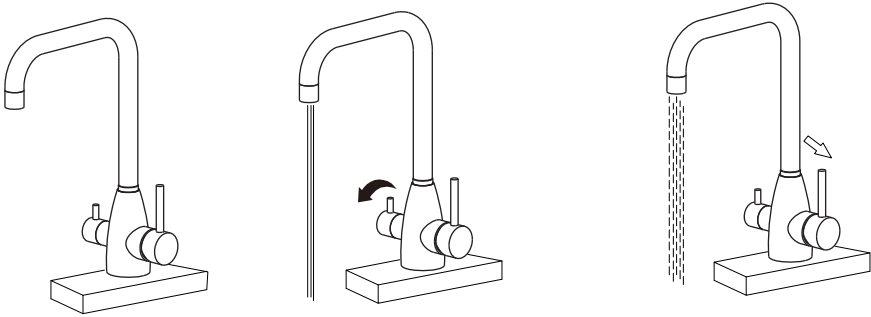
Step: 7

Connect the Hot & Cold Hoses to the supply water



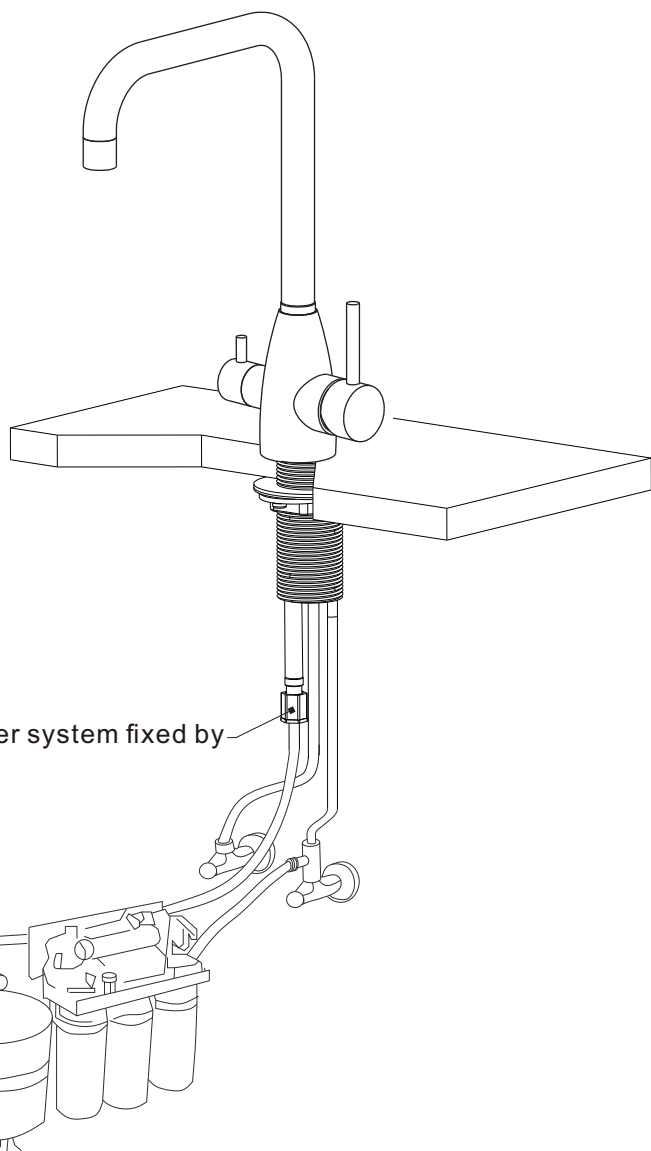
Step: 8

Test the your Hommix Olaf to ensure it is dispensing water



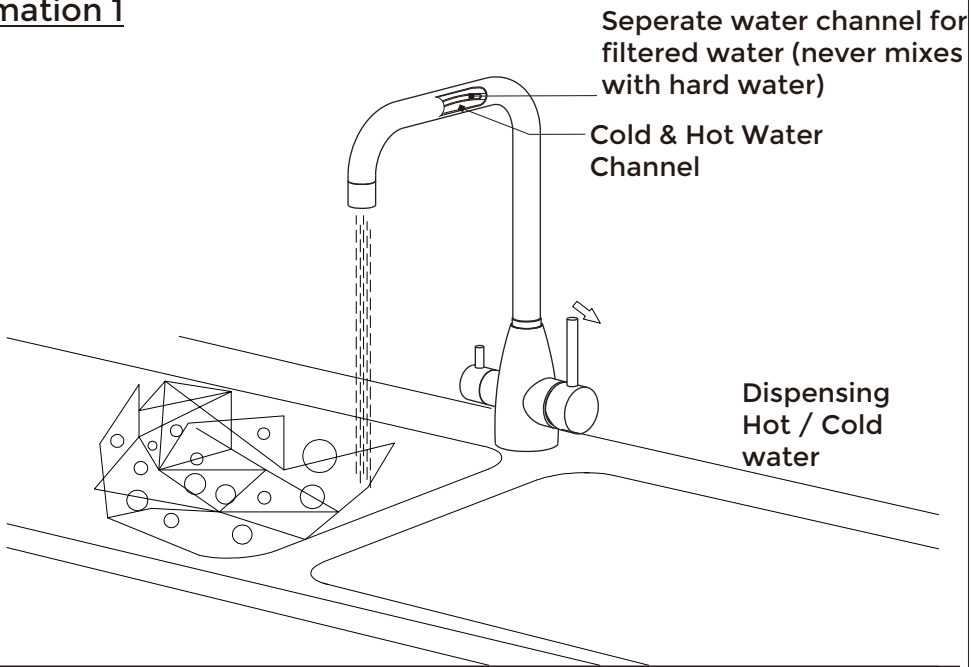
Important Note 3

Please ensure any sand, silt, rubbles or anything that may block the valve cartridge and aerator is removed and cleaned before fixing the tap. During construction, the water pipes often end up with these, please ensure it is cleaned before connecting the hoses to the hot and cold.

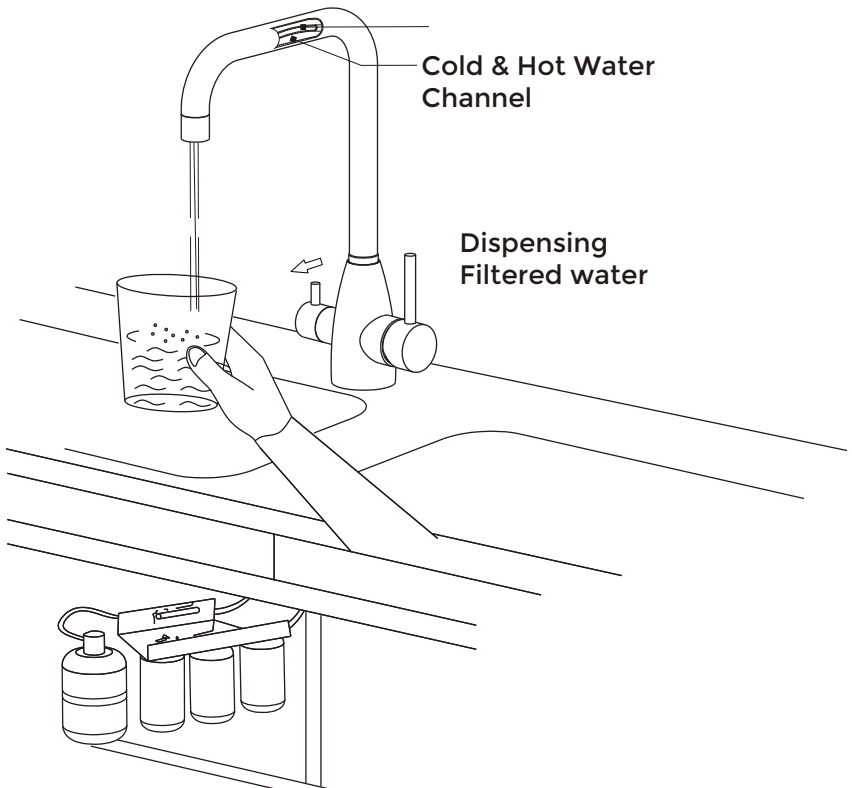


Connected to filter water system fixed by
Plastic adapter

Information 1



Information 2



Taking care of your tap

Your Hommix Verona 3-Way Tap requires minimal care and maintenance but here are a few tips:

DON'Ts

DON'T use cleaning products, chemicals or any other types of substances to clean the tap

DON'T use organic solvents or acidic cleaners, lime-scale removers, household vinegar or cleaners containing acetic acid for cleaning

DON'T use any sort of brushes or abrasive sponges and scrubs

DOs

DO dry the tap after washing up with a dry soft cloth (we advise this for cleaning your sink too)

DO use a soft damp cloth followed by a dry soft cloth to clean if the tap requires cleaning

That's all! We did say minimal care and maintenance. If you have any questions or need help with installation, please do not hesitate to contact us.

Live Chat - <https://www.hommix.co.uk>

Call us - 0330 113 9292

Email us - info@hommix.co.uk

