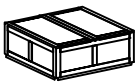


ASSEMBLY INSTRUCTION

TRUNK SQUARE COCKTAIL TABLE

A Table Top

1PC

B Legs W/Caster

4PCS

C Bolt

1/4"*2"



16PCS

D Spring Washer

1/4"



16PCS

E Flat Washer

1/4"*Ø5/8"



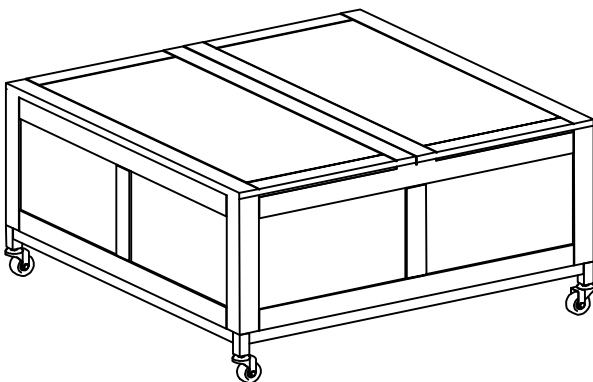
16PCS

F Allen Wrench

4MM

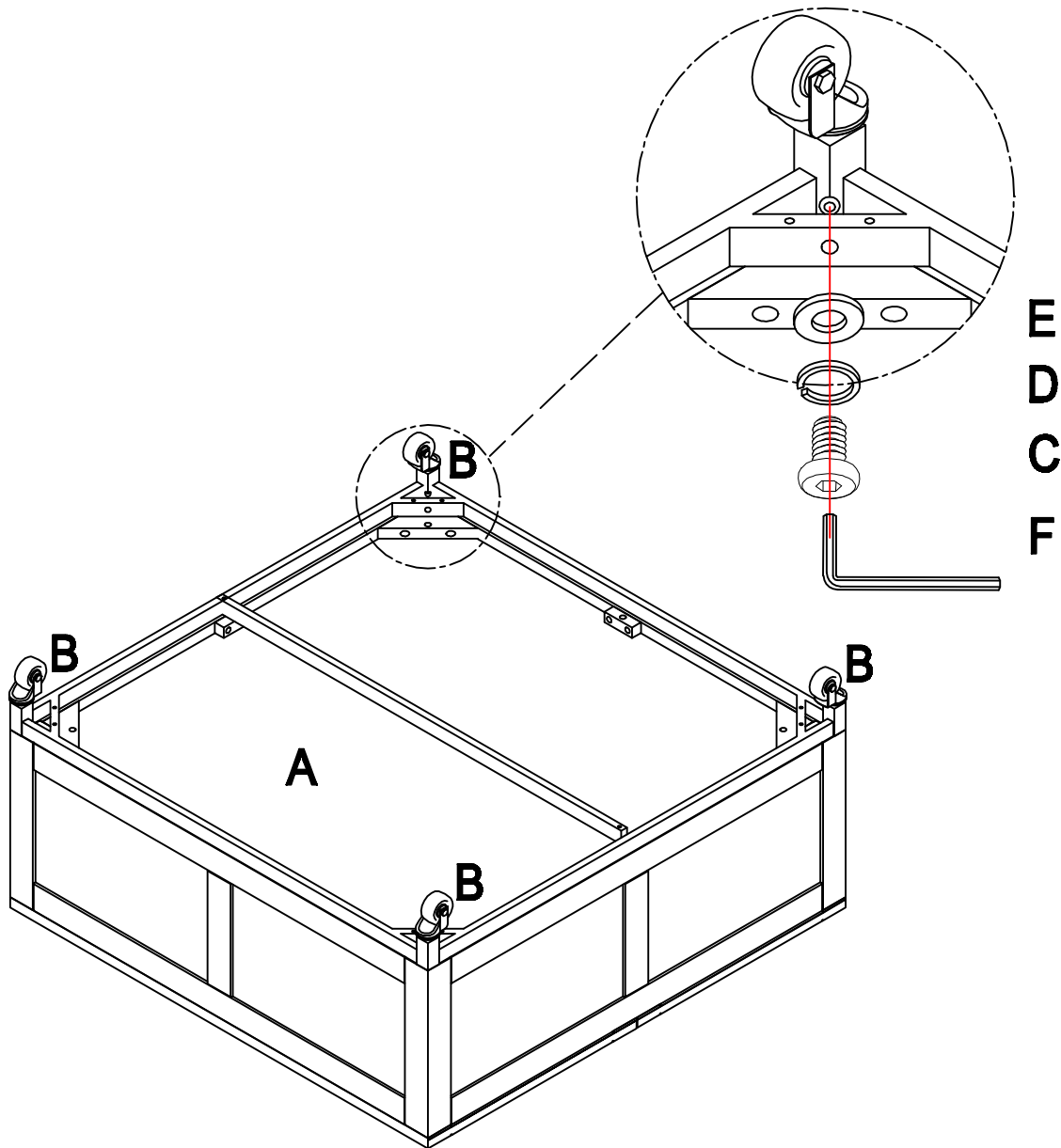


1PC



This page lists all the contents included in the box. Please take the time to identify the hardware as well as the individual components to this product. As you unpack and prepare for assembly, place the contents on a carpeted or padded area to protect them from damage.

-
- 1** Assembly the Legs(B) onto the Table Top(A), then using Bolt(C), Spring Washer(D), Flat Washer(E) and tighten by Allen Wrench(F).



Cleaning & Care

Treat surface with care. Surface is resistant to scratches but is not scratch resistant. Clean surfaces with a dry or damp soft cloth. Do not use abrasive cleaners. Hardware may loosen over time. Periodically check that all connections are tight.