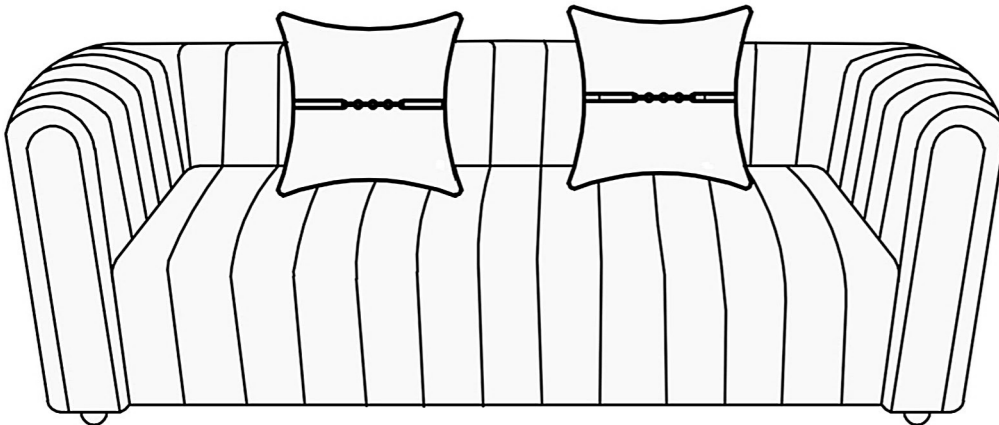


ASSEMBLY INSTRUCTIONS

ITEM NO: P53-3S



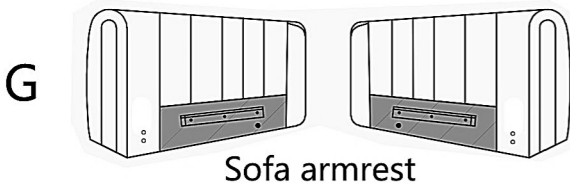
TWO PERSON ASSEMBLY



Attention: *Please do not move the sofa after installation. If you need to move the sofa ,please disassemble the sofa first,and re-install it at your destination.

*Please keep this installation instruction for your future use.

Package I



Sofa armrest

Package II



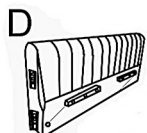
Legs
4pcs



Angle brachet
2pcs



Bolt
12pcs



Sofa Back 1pcs



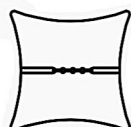
Allen hey
1pcs



Seat Cushion
1pcs

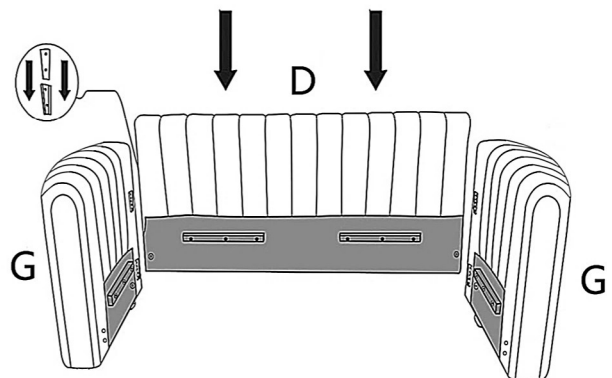


Corner code
2pcs

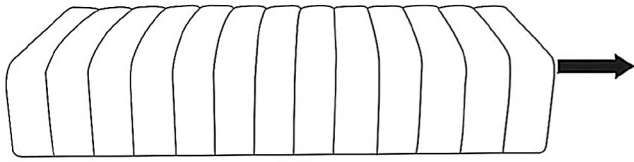


Pillow
2pcs

STEP 1



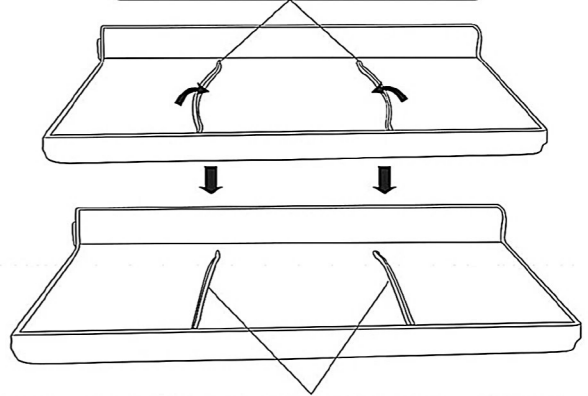
STEP2



Turn the seat cushion around →

STEP3

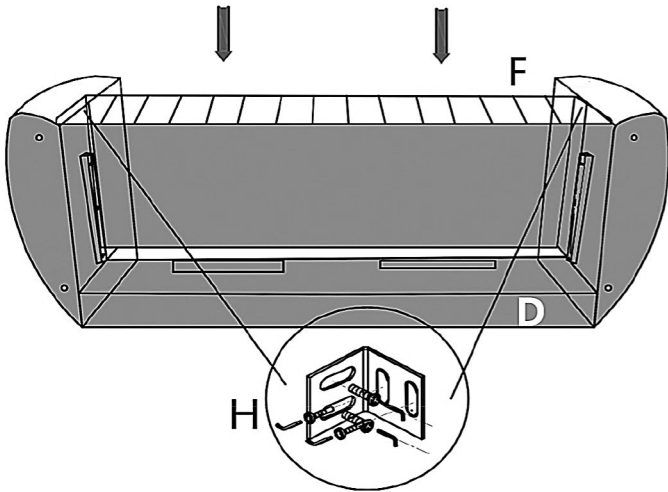
Rotate the metal pole into position
(It might take a lot of strength)



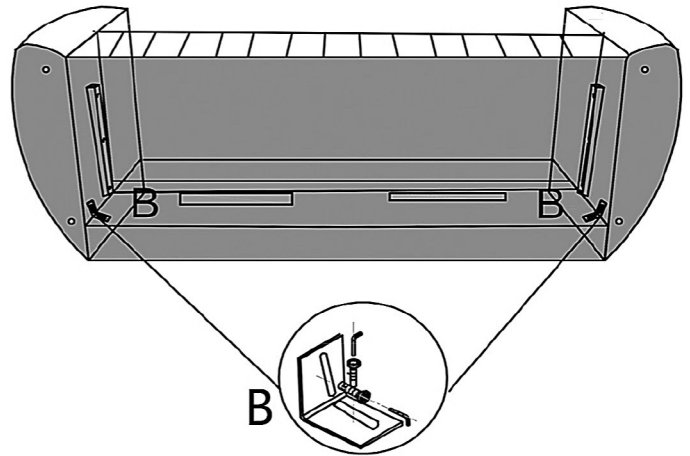
After the metal rod is up, proceed to the next step of installation

STEP4

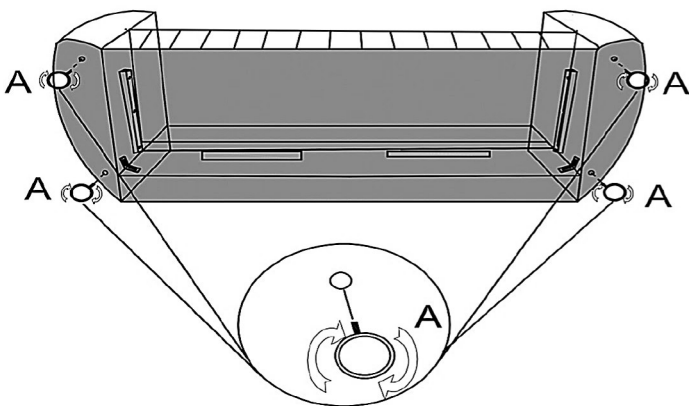
*Before installing part "H", confirm that part "D" and part "F" are securely attached.



STEP5



STEP6



STEP7

