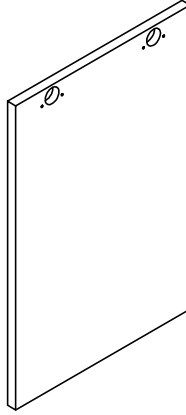
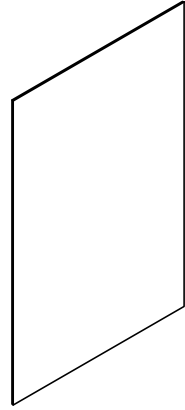


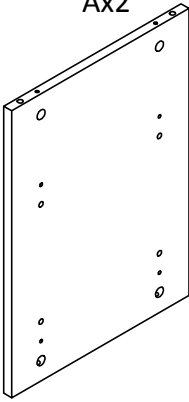
Ax2



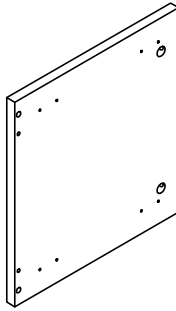
Bx2



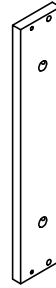
Cx2



Dx2



Ex4



Fx4



Gx4



Hx32



Ix32



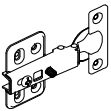
Jx32



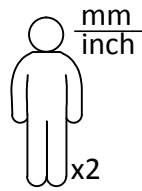
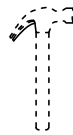
Kx24

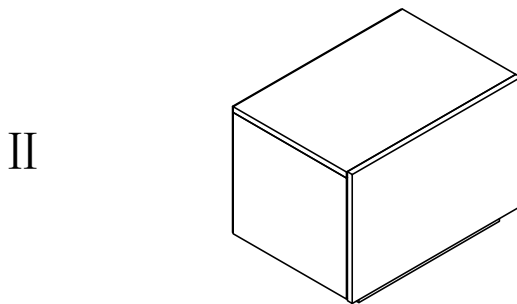
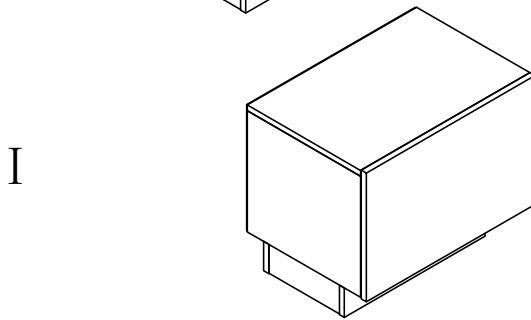
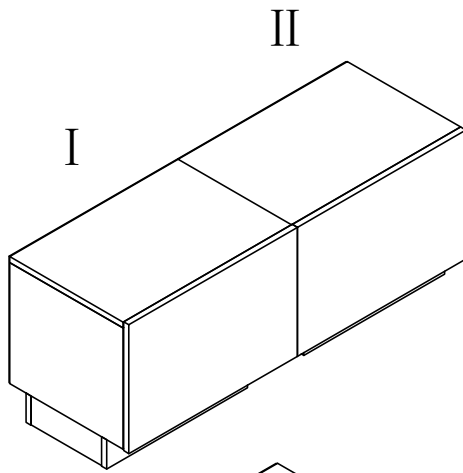


Lx32

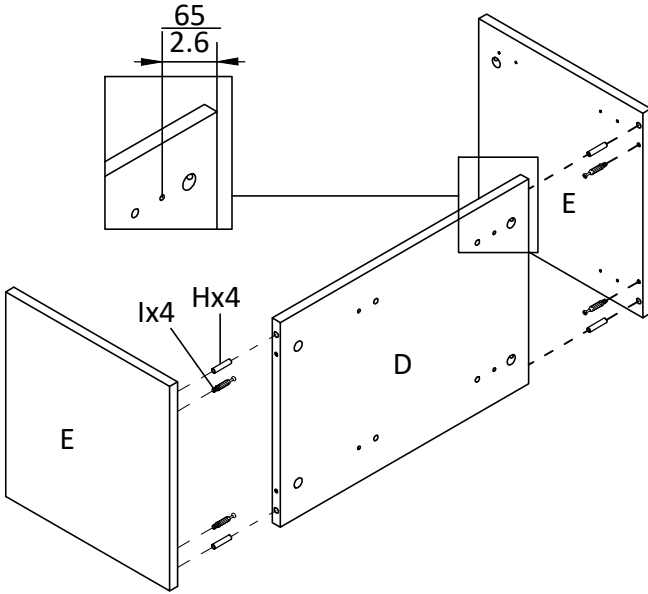


Mx4





① - I



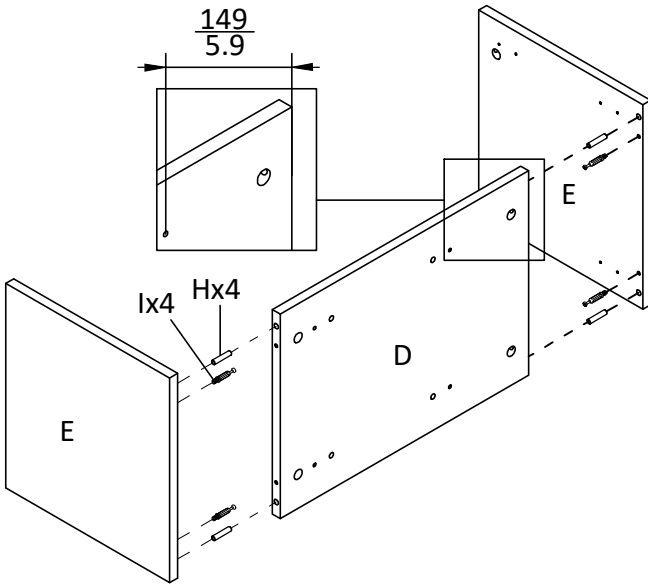
Hx4



Ix4



① - II

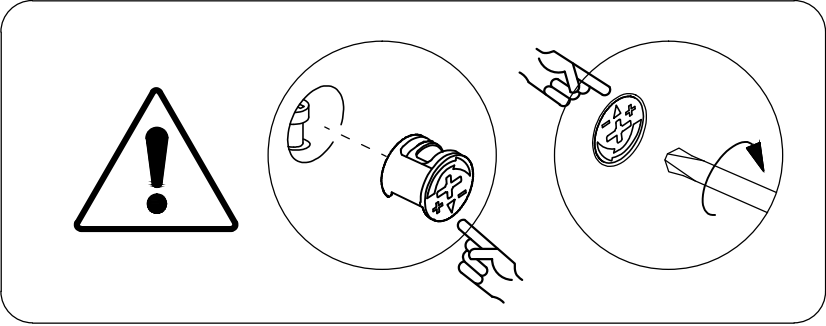


Hx4

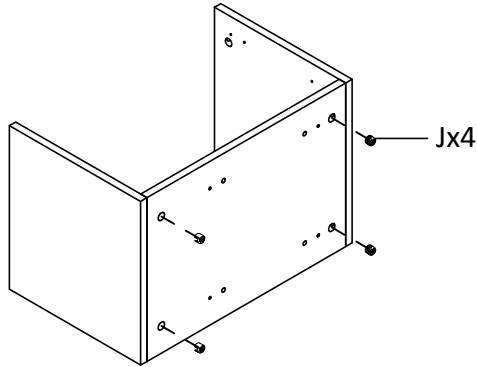


Ix4





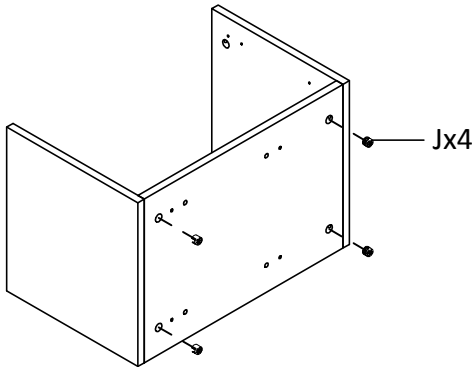
② - I



Jx4



② - II

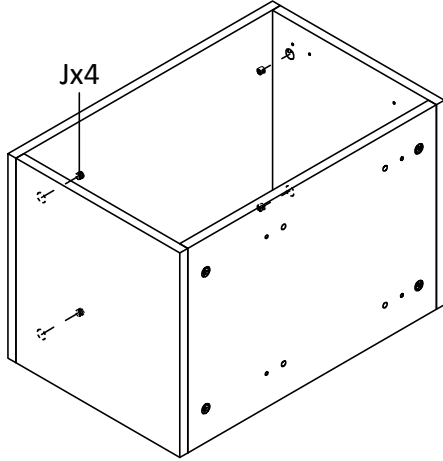


Jx4



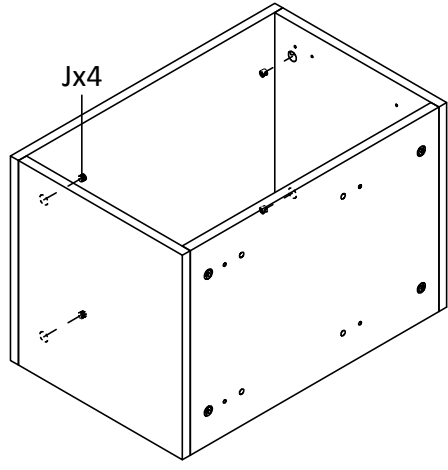
③ - I

Jx4



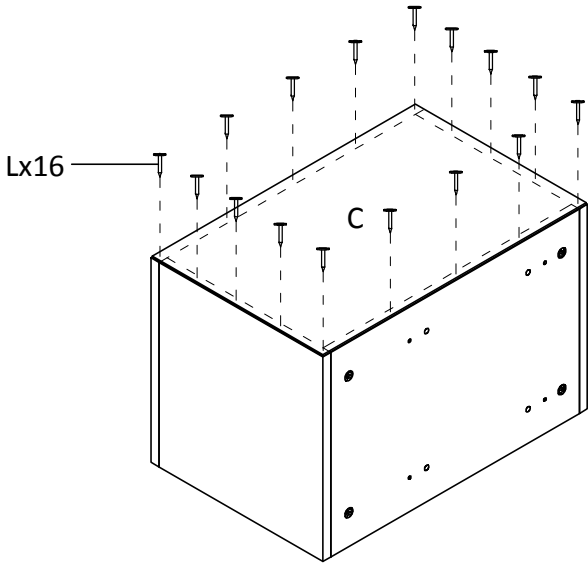
③ - II

Jx4



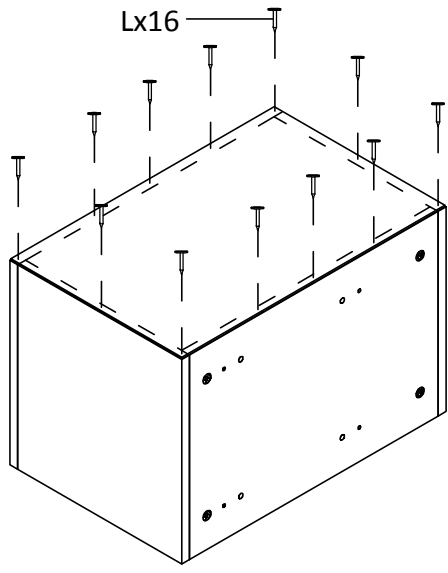
④ - I

Lx16

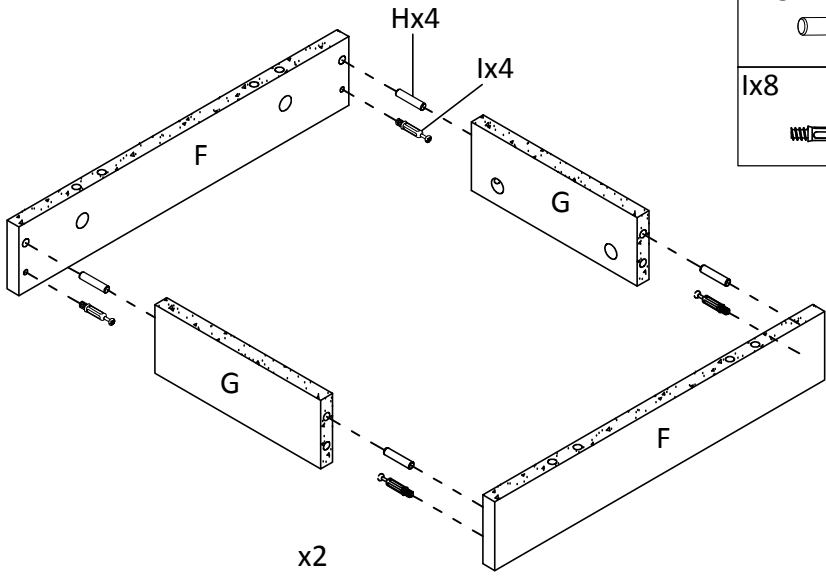


④ - II

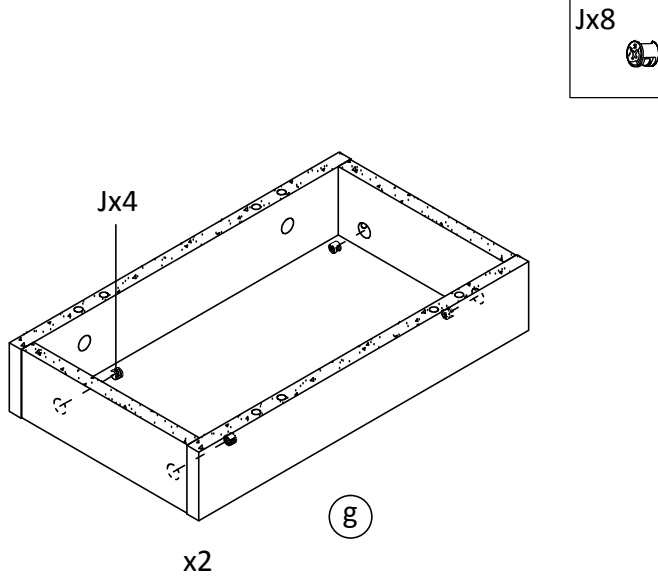
Lx16



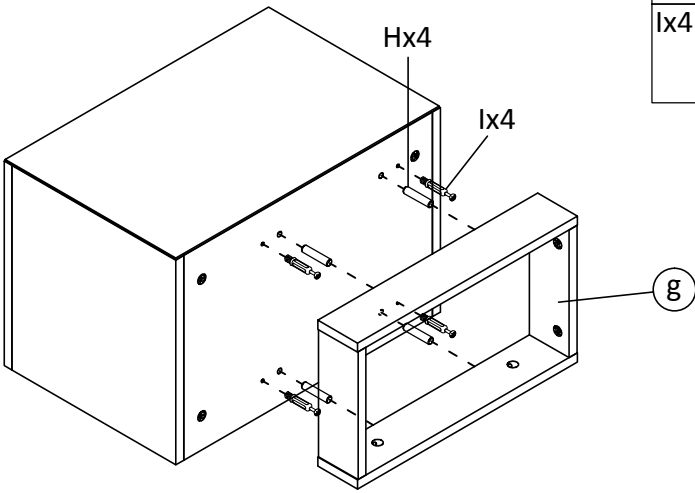
5

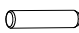



6

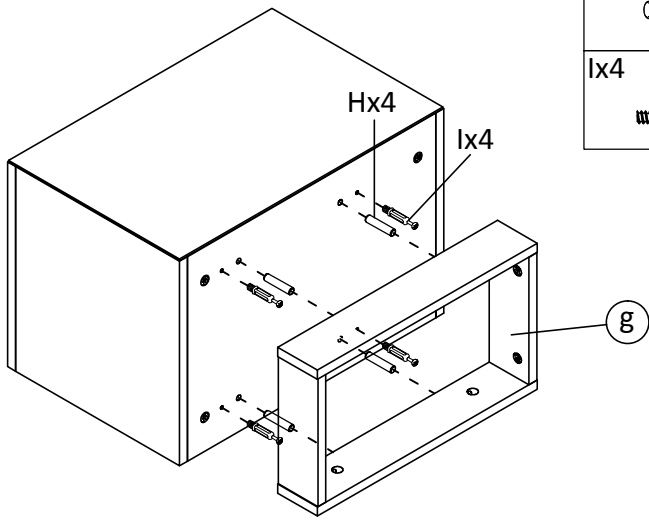


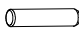

⑦ - I



- Hx4

- Ix4


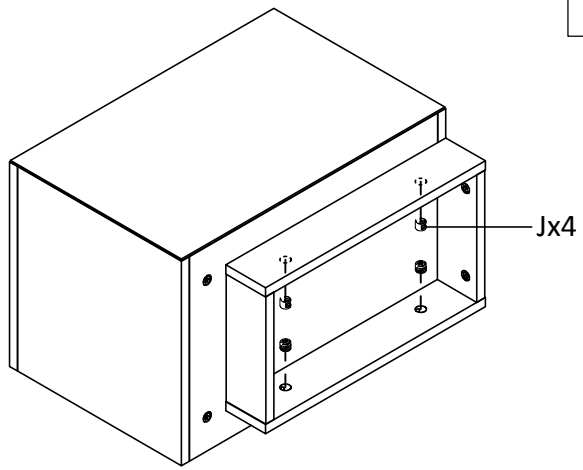
⑦ - II



- Hx4

- Ix4


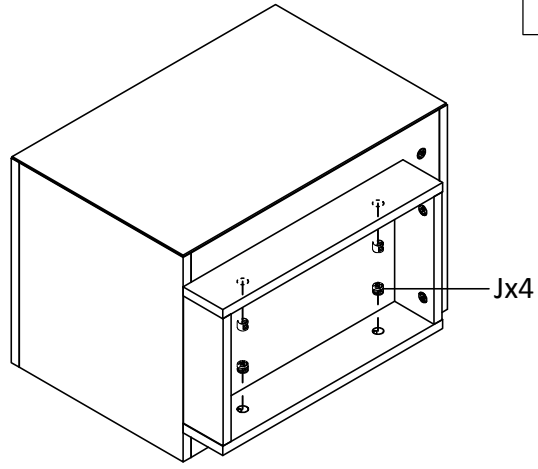
⑧ - I

Jx4

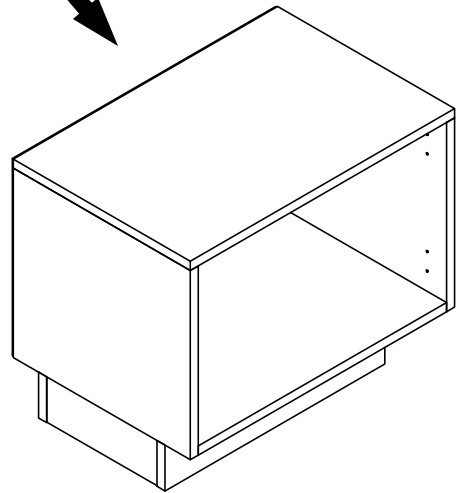
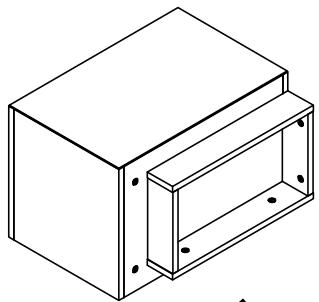
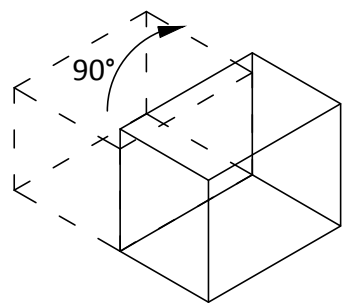
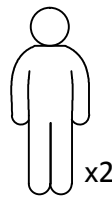


⑧ - II

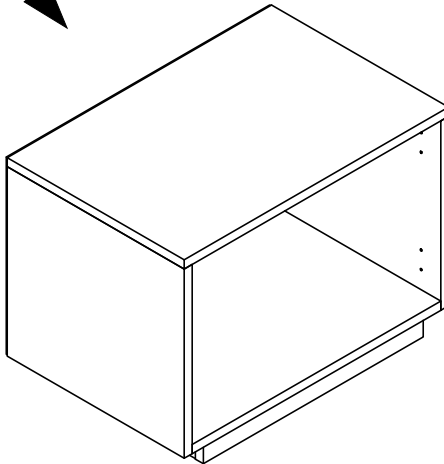
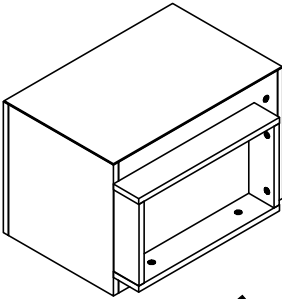
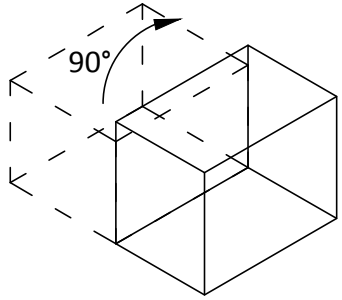
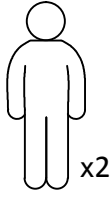
Jx4



9 - I

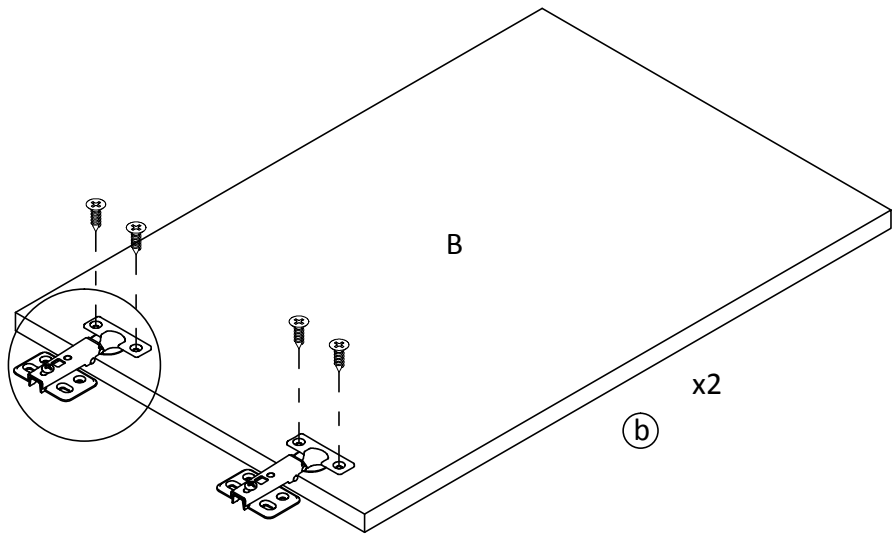
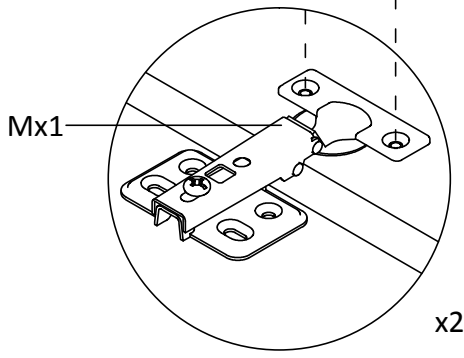
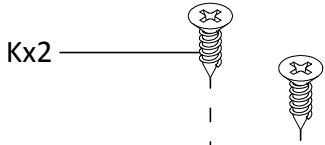


9 - II

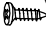


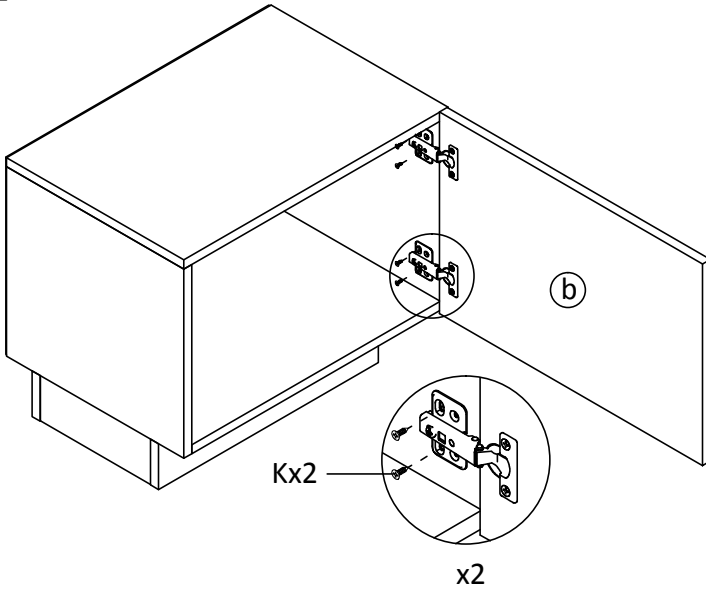
10

Kx8
M3.5x $\frac{15}{0.6}$
Mx4

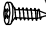


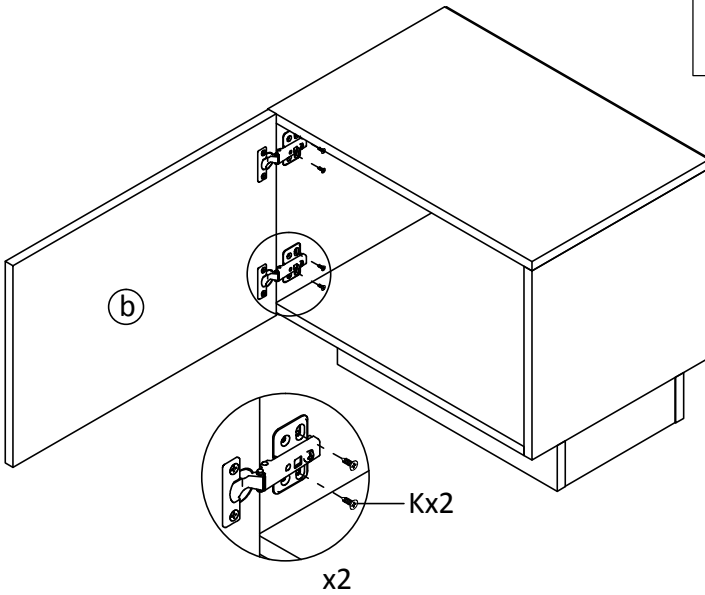
11 - I

Kx4
M3.5x $\frac{15}{0.6}$


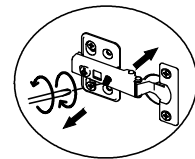
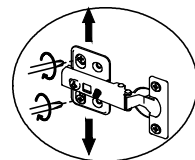
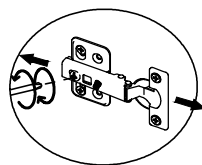
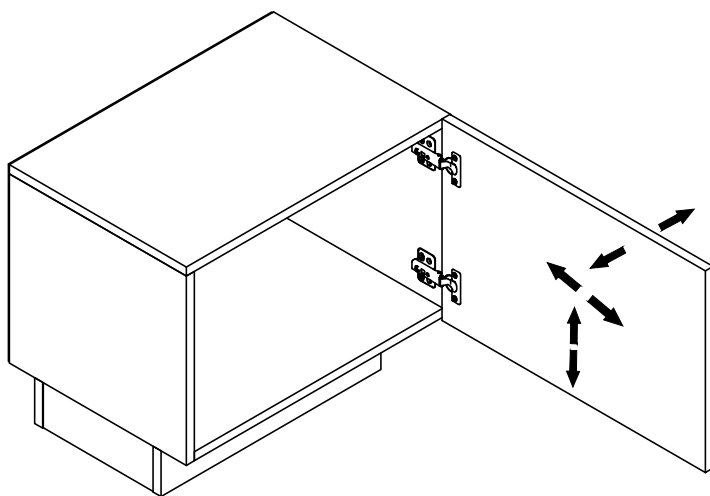


11 - II

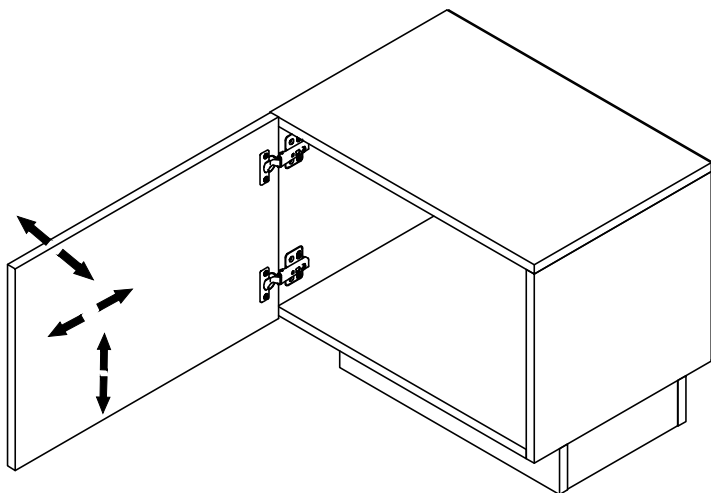
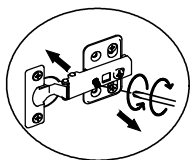
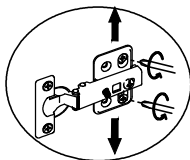
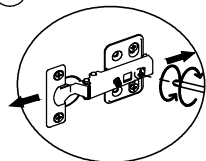
Kx4
M3.5x $\frac{15}{0.6}$




12 - I

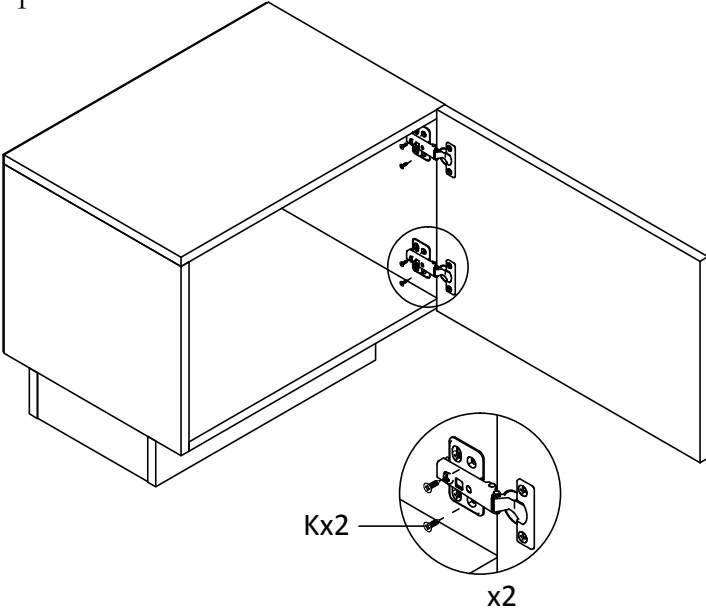


12 - II



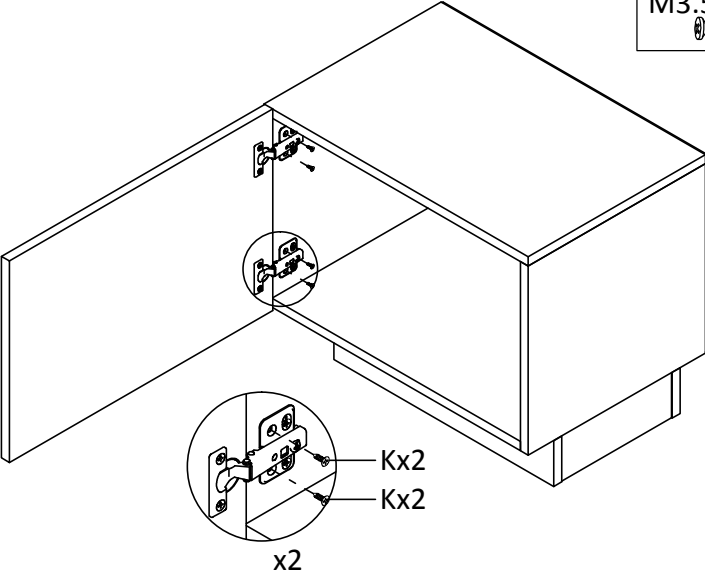
13 - I

Kx4
M3.5x $\frac{15}{0.6}$



13 - II

Kx4
M3.5x $\frac{15}{0.6}$



14

