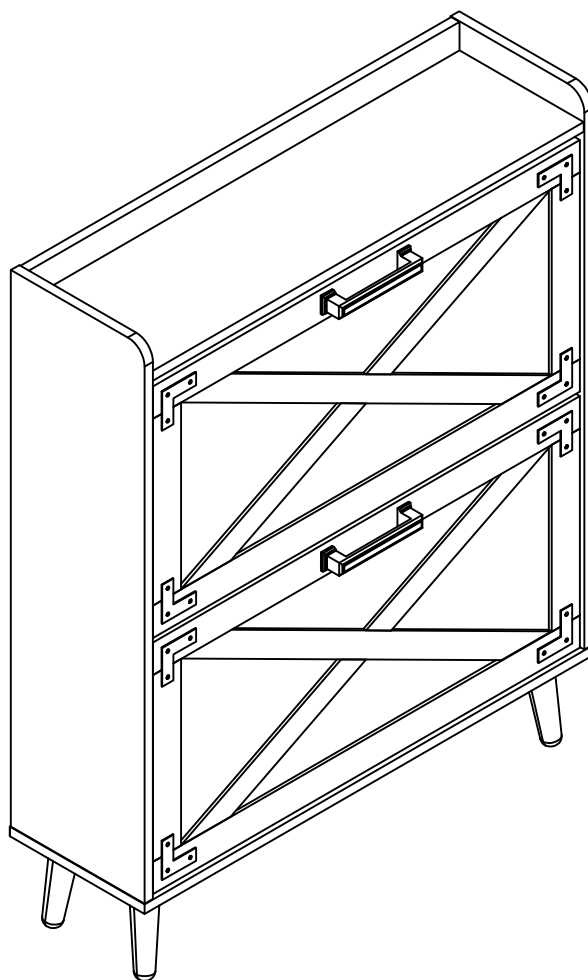


# Assembling Instruction



Because it's a narrow cabinet, it must permanently fixed to the wall with included anti-tipping device to prevent the cabinet from tipping over. It will be very stable and safe when locked on the wall.

## ATTENTION

If there is any missing, please kindly send us messages to let us know the name of missing part regarding to the first page of instructions.

Please also provide us your full address so we can send replacement to you as soon as possible

We are concerned about each customer's experience, if there is any loss or damage, please contact us at any time, we will provide effective solutions.

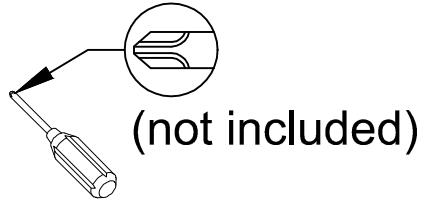
Please attach your Order ID so that we can assist you better

Children have died from furniture tipover. To reduce the risk of furniture tipover. ALWAYS install tipover restraint provided.

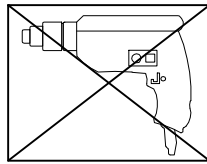


# General Assembly Guidelines

- I. Ensure that all Parts and hardware are available before beginning assembly.
- II. Follow each step carefully to ensure the proper assembly of this Product.
- III. Two People are recommended for ease in the assembly of this Product.
- IV. The three main types of hardware used to assemble this Product are : wood dowels , screws and bolts.
- VI. A Phillips head screwdriver is required for the assembly of this Product .

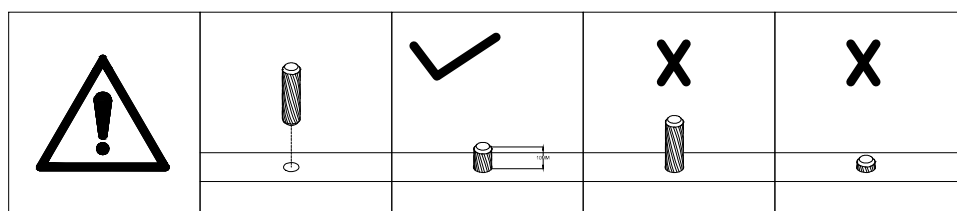
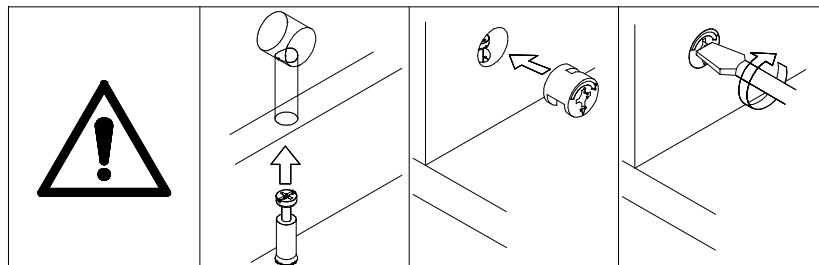
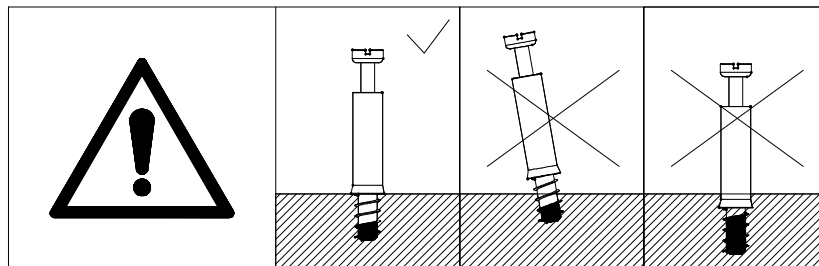


- VI. Power tools should not be used to assemble this Product .

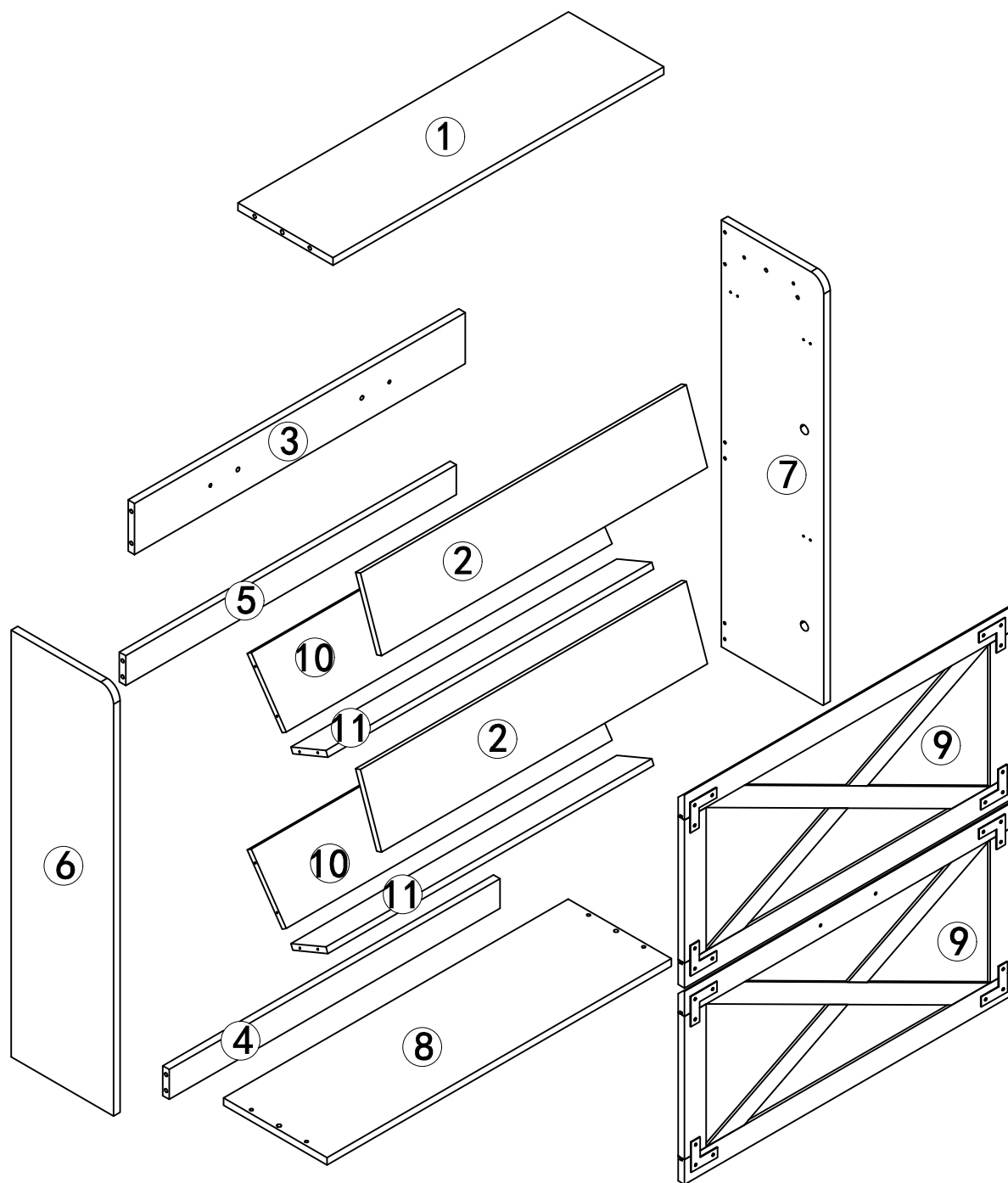


## CAM LOCK/BOLT FASTENING INTRODUCTION

(You will use it during assembly)

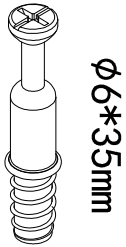


# Parts List



# HARDWARE PACK CONTENT

**A**



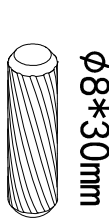
16X+1

**B**



16X+2

**C**



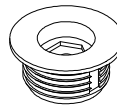
8X+1

**D**



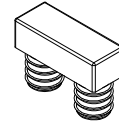
8X+1

**E**



4X

**F**



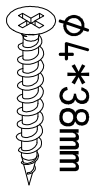
4X

**G**



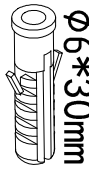
4X+1

**H**



2X

**I**



2X

**J**



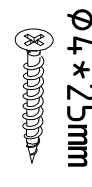
2X

**K**



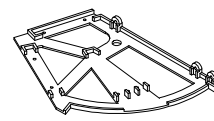
4X

**L**



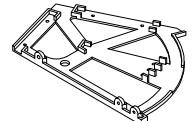
16X+2

**M**



2X

**N**



2X

**O**



2X

**P**



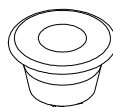
4X

**Q**



12X+2

**R**



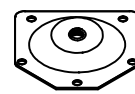
4X

**S**



20X+2

**T**



4X

**U**



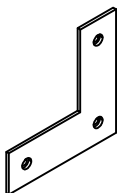
4X

**V**



24X+2

**W**




8X

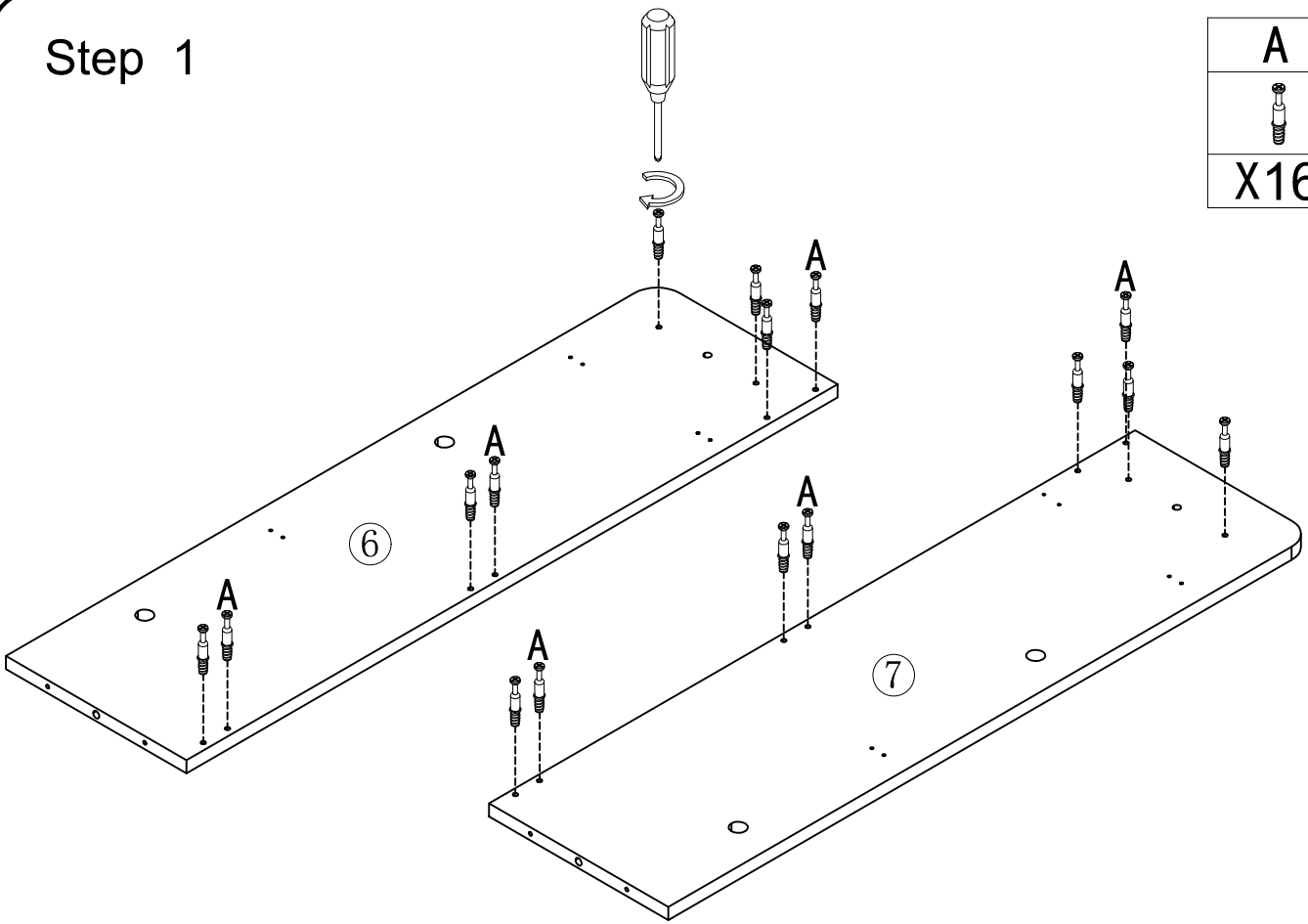
**X**







1X

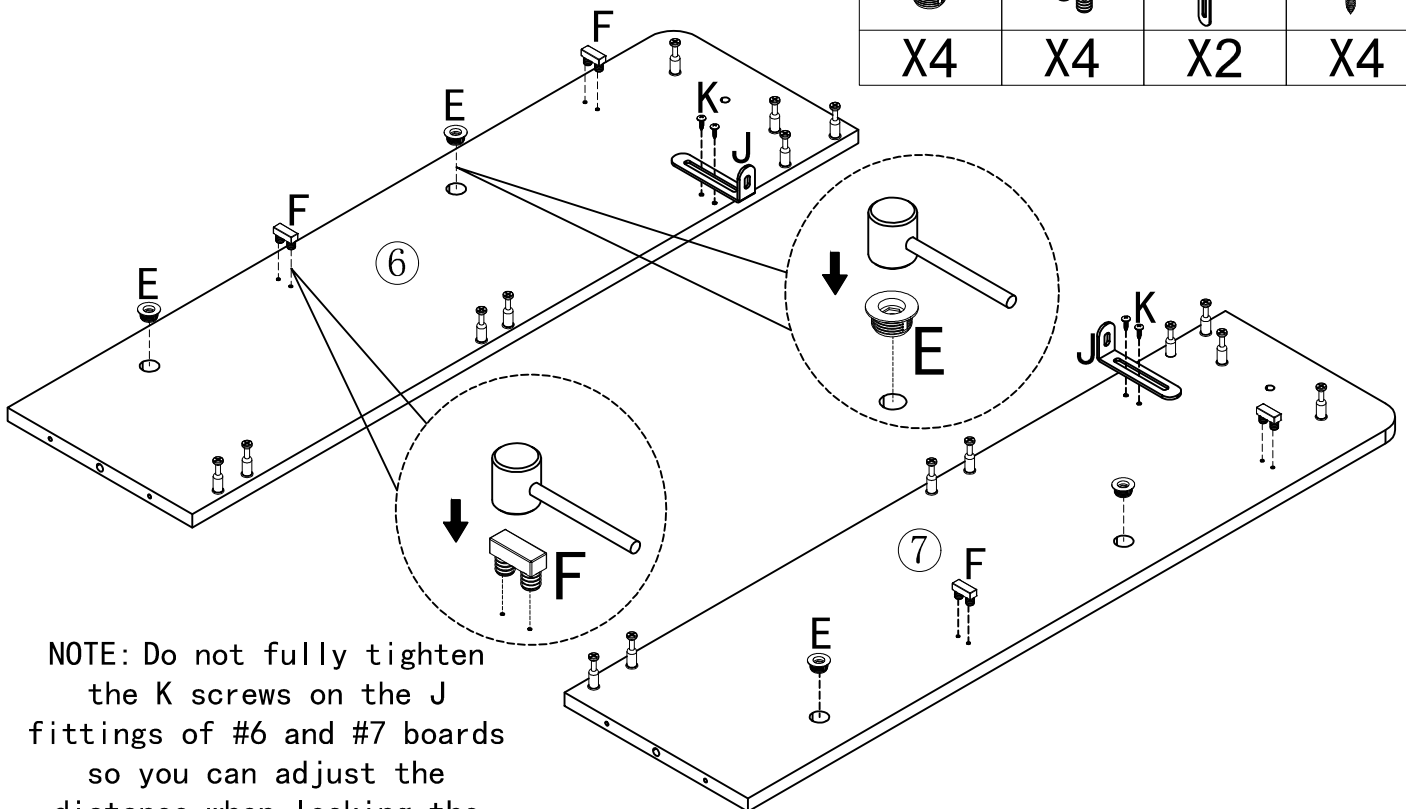
# Step 1

A

X16



# Step 2

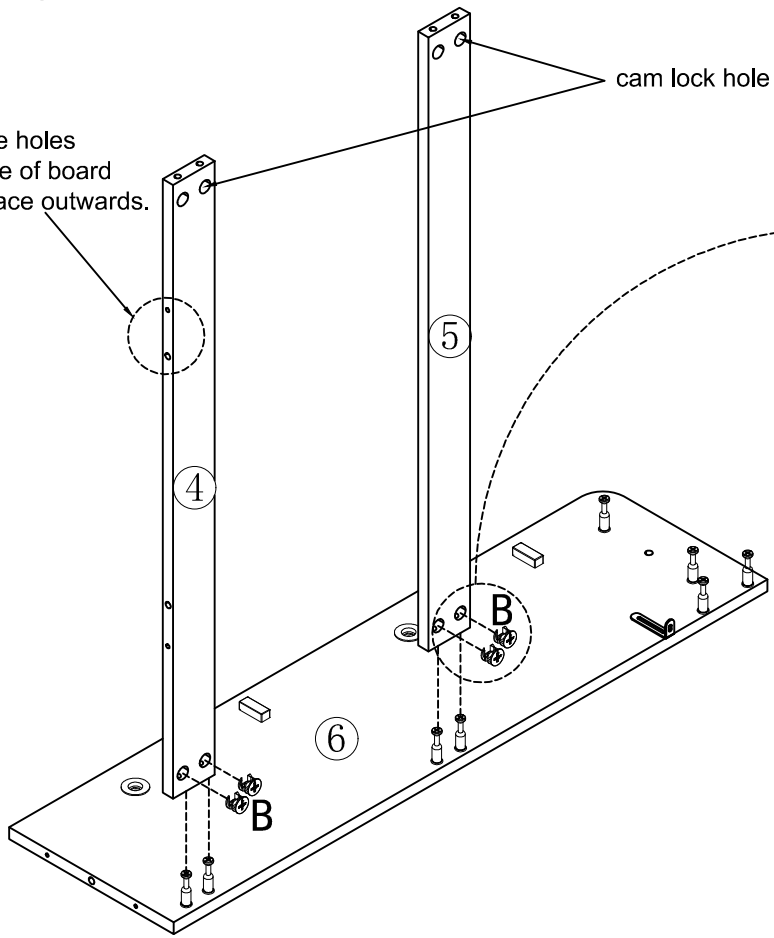
E	F	J	K
			
X4	X4	X2	X4



NOTE: Do not fully tighten the K screws on the J fittings of #6 and #7 boards so you can adjust the distance when locking the wall

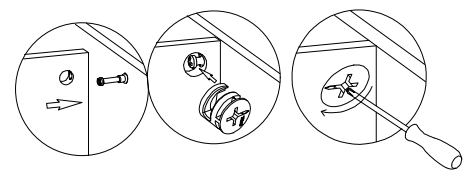
# Step 3

NOTE: The holes on the side of board #4 must face outwards.



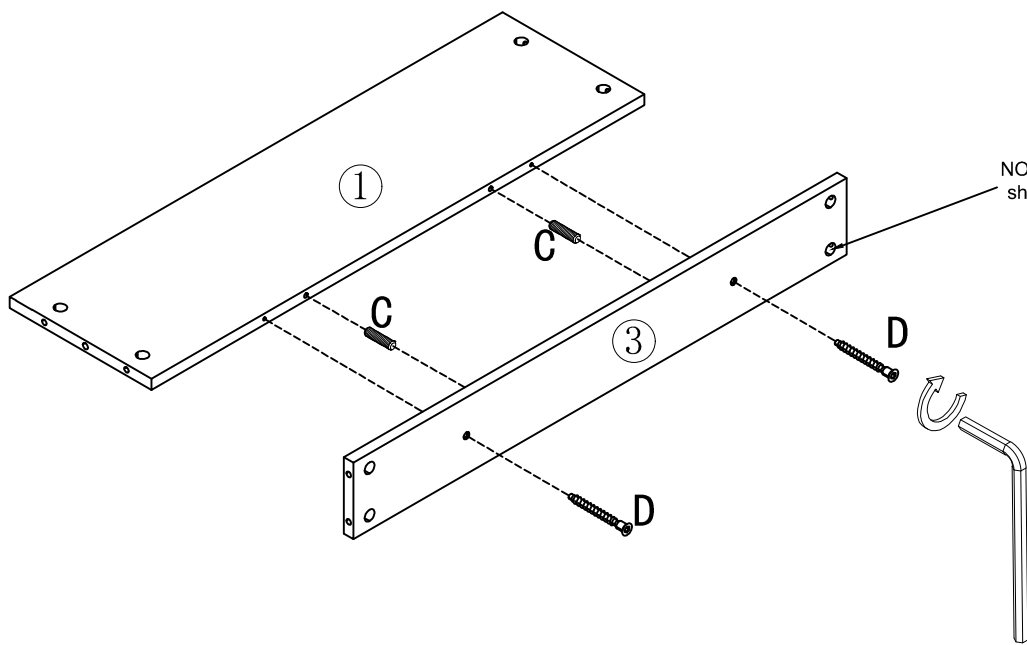
<b>B</b>
<b>X4</b>

NOTE: It is recommended that 2 people assemble. One person needs to hold the #4 and #5 wooden bars to prevent them from falling over.





# Step 4

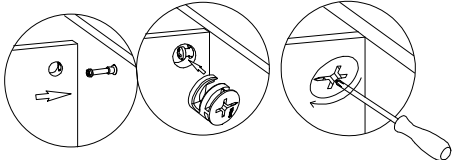
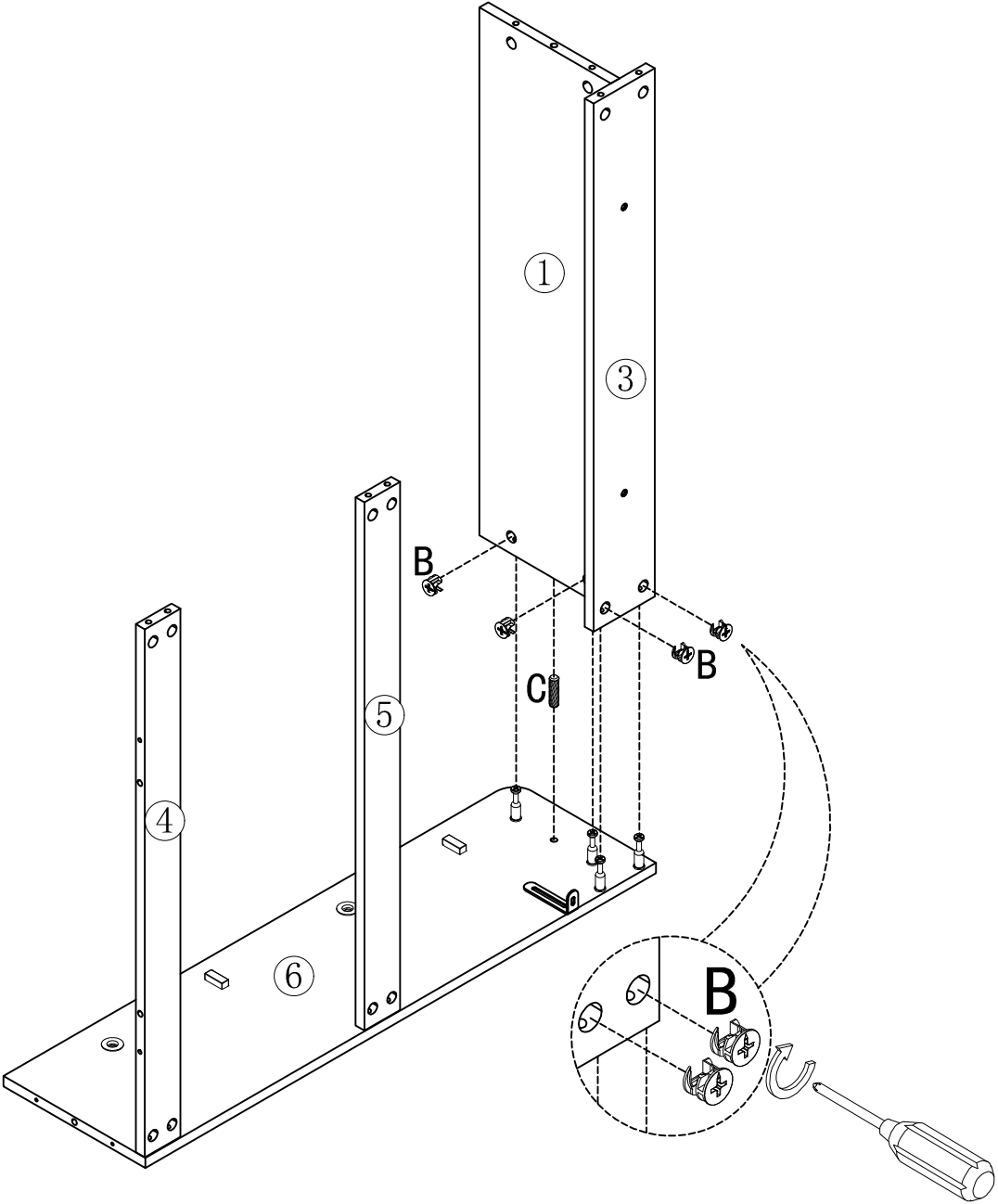
<b>C</b>	<b>D</b>
<b>X2</b>	<b>X2</b>





NOTE: The cam lock hole should be on the outside

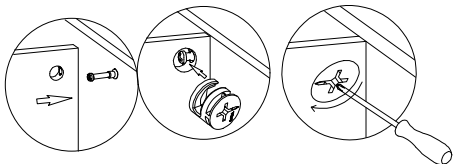
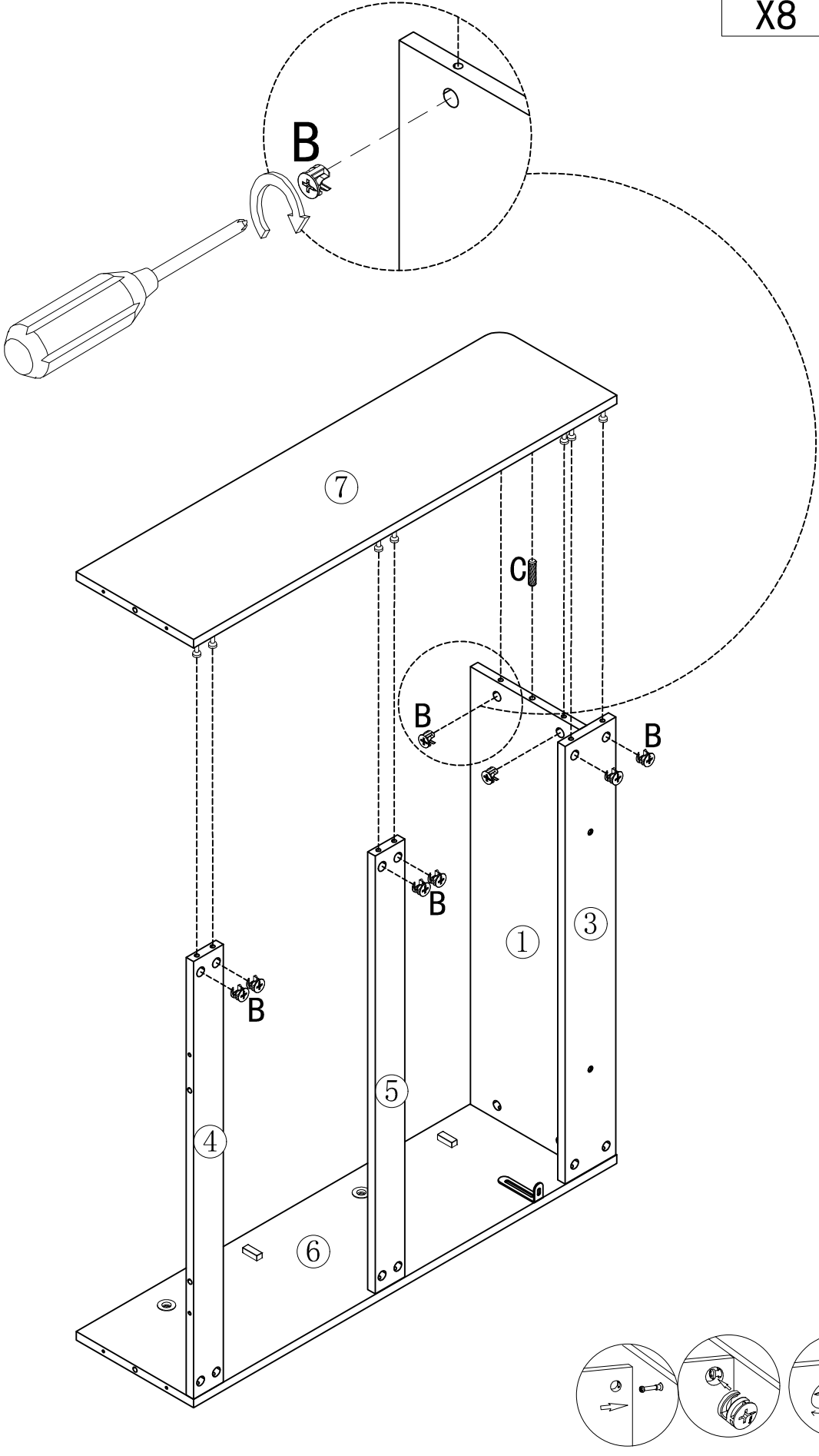
Step 5

<b>B</b>	<b>C</b>
	
<b>X4</b>	<b>X1</b>





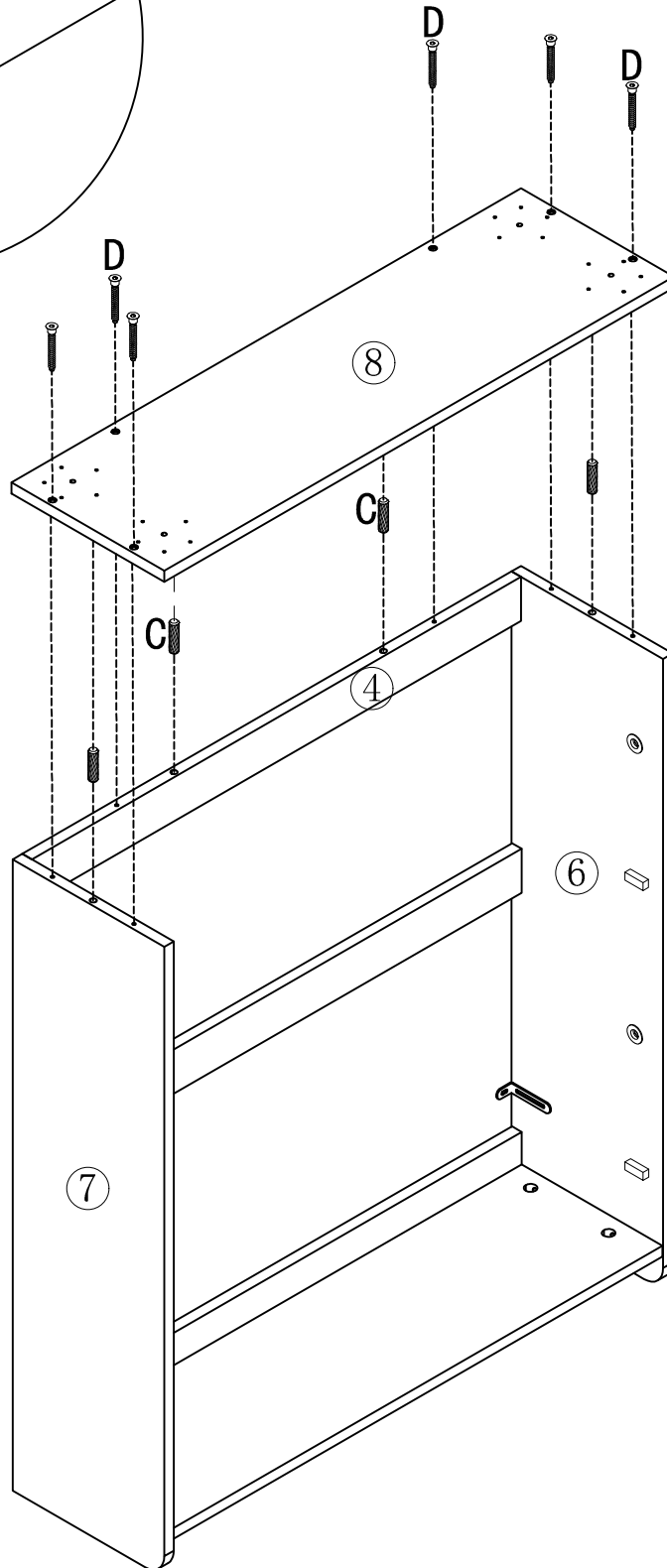
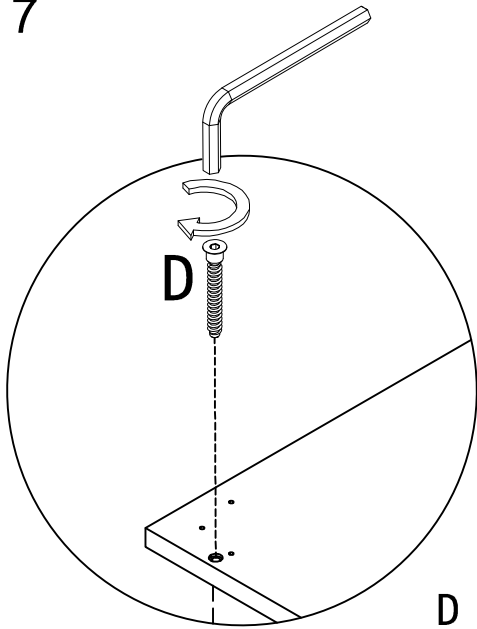
# Step 6

<b>B</b>	<b>C</b>
	
<b>X8</b>	<b>X1</b>

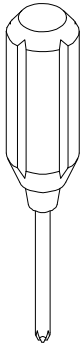


# Step 7

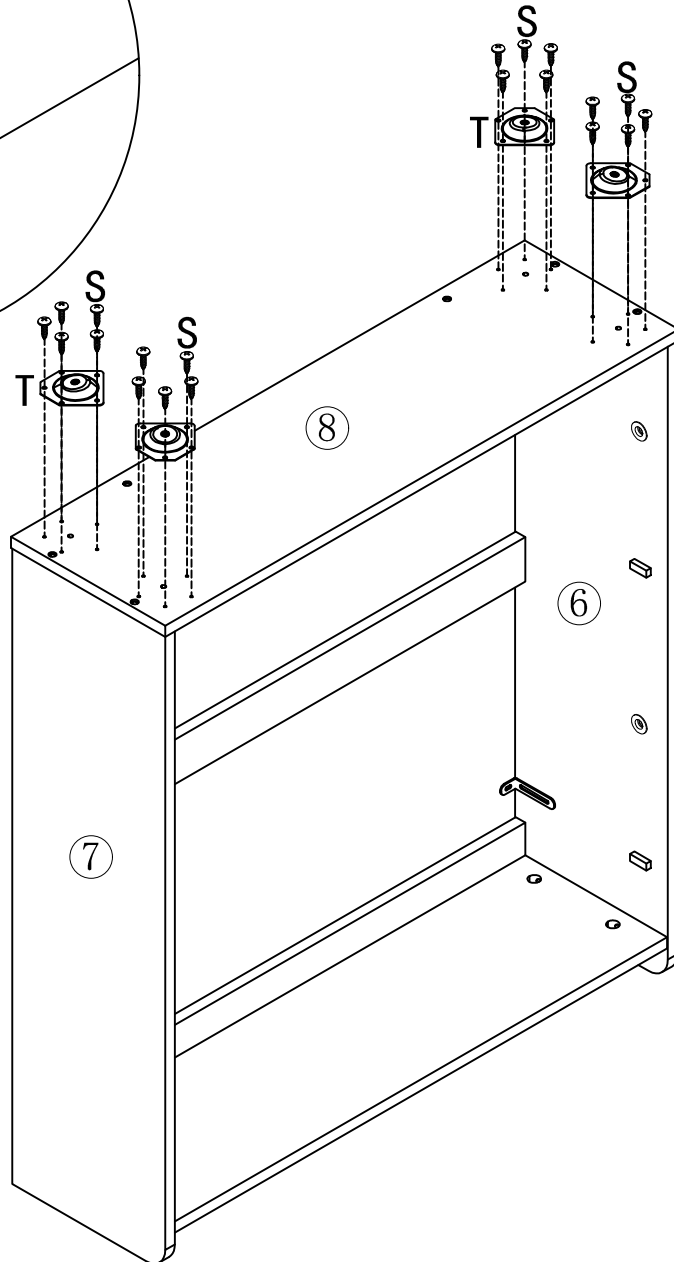
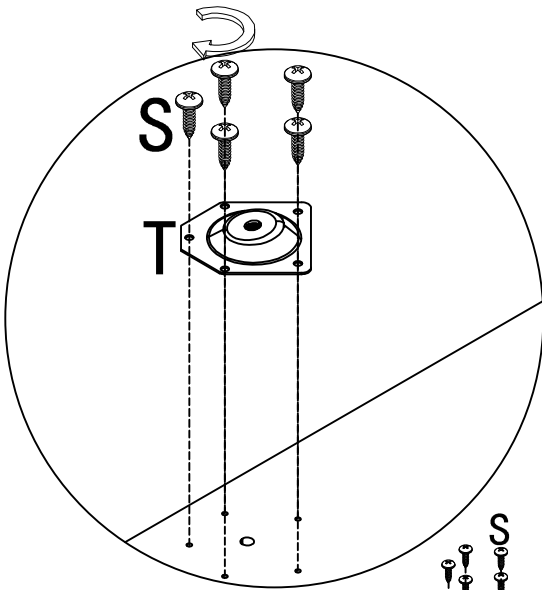
C	D
	
X4	X6




Step 8

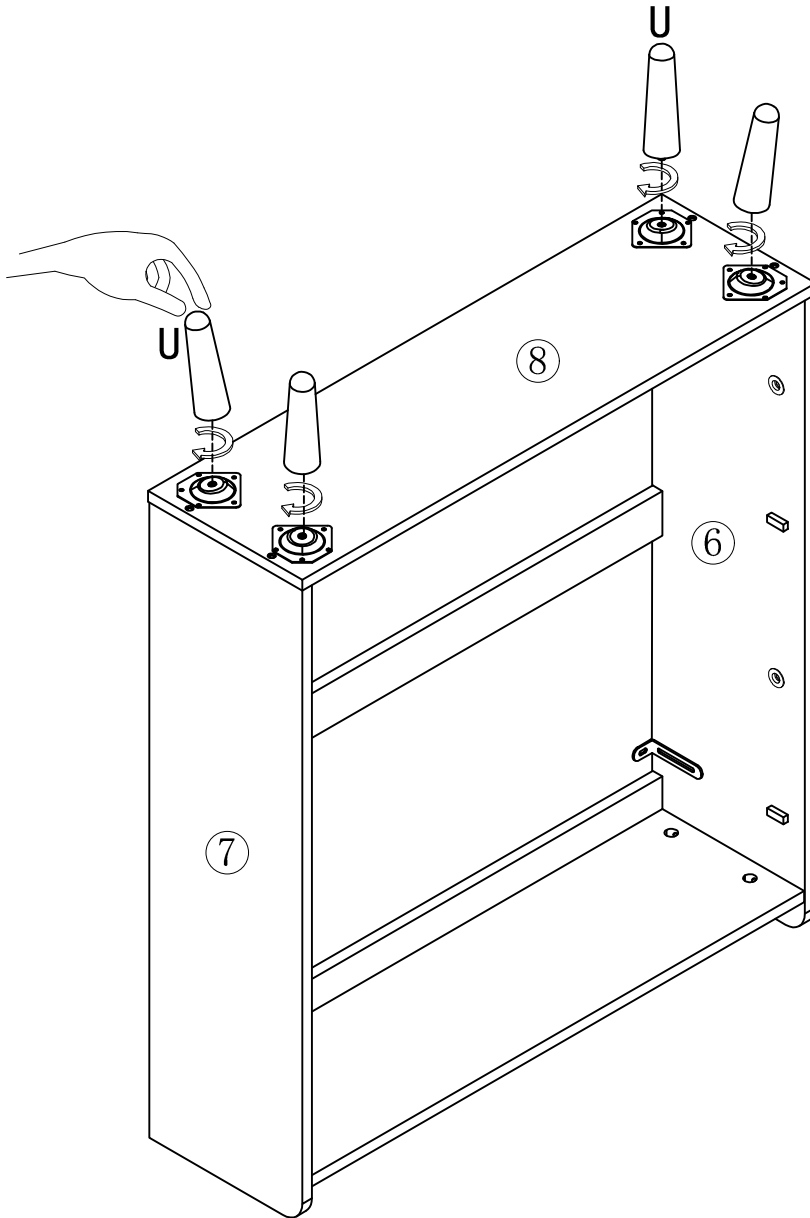


S	T
X20	X4





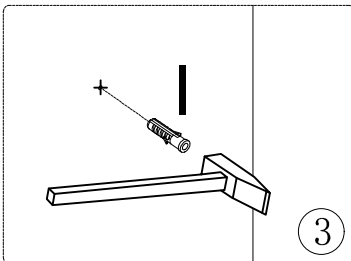
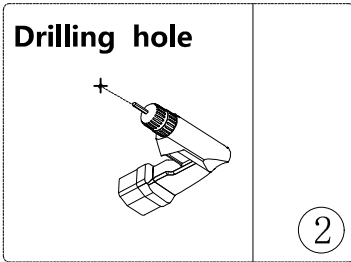
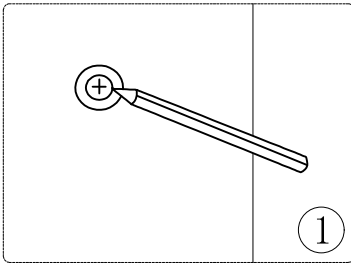
# Step 9

U

X4



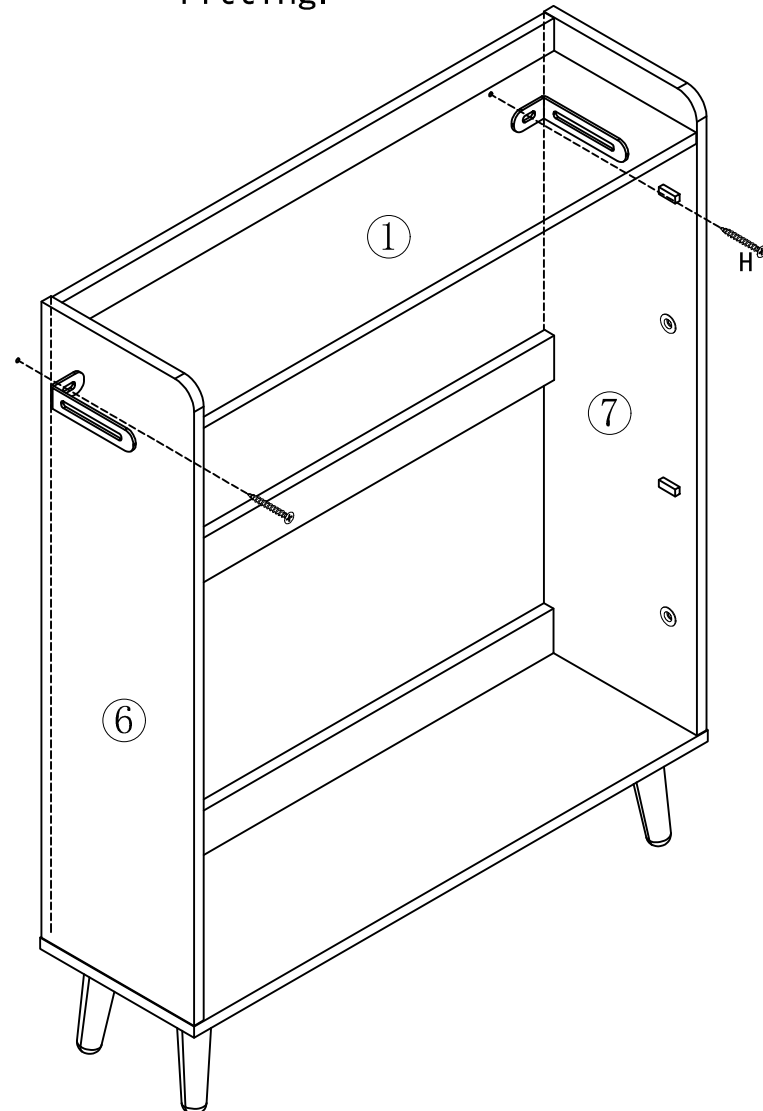
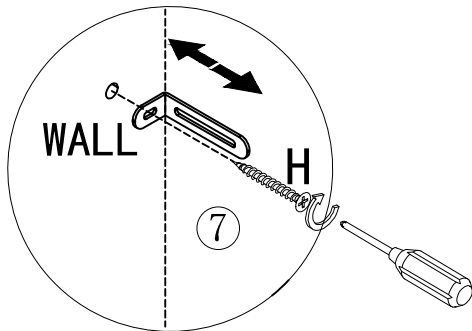
# Step 10

H	I
	
X2	X2








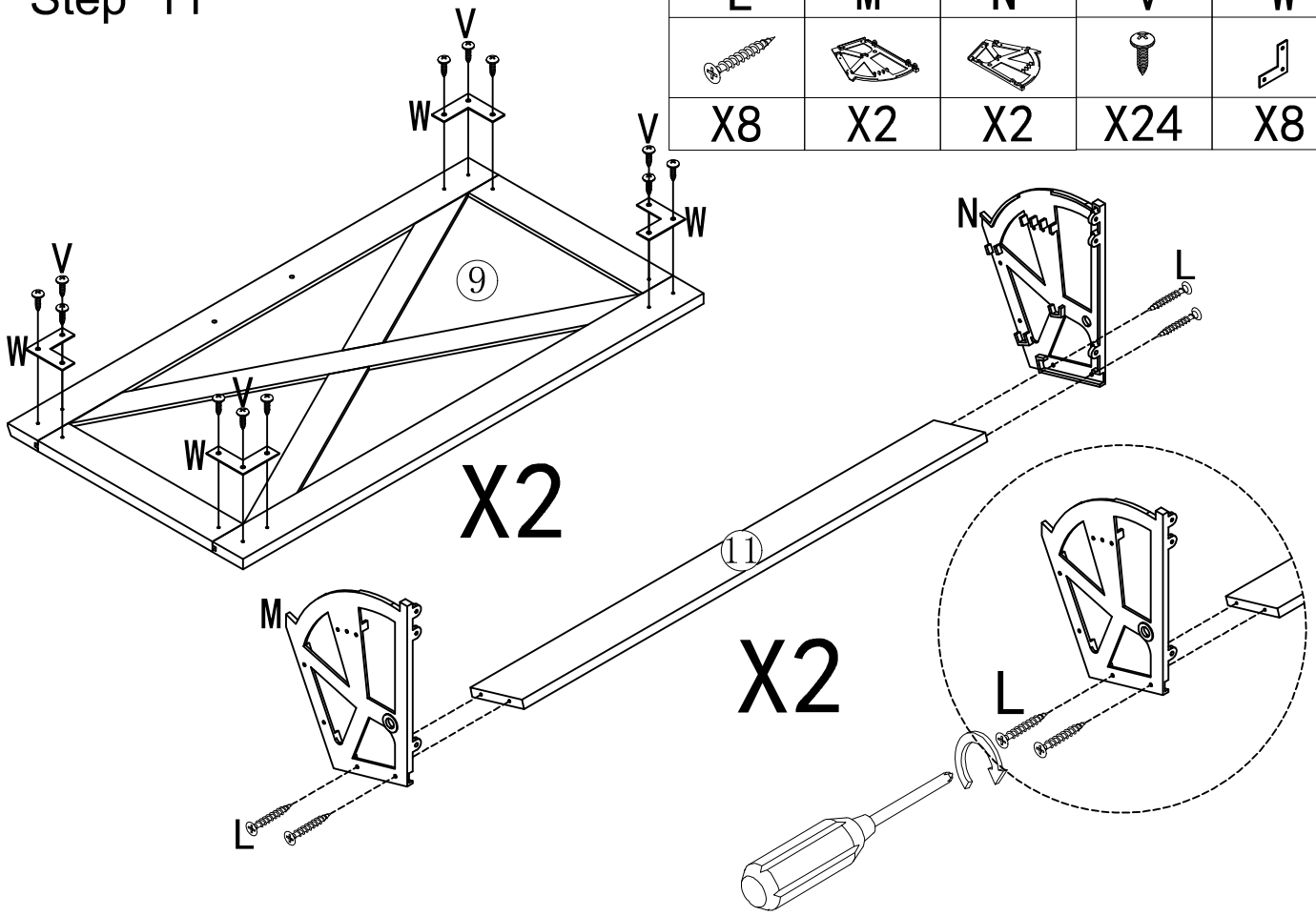
1. Mark the drill position on the wall with pencil.
2. Make 2 holes with a bit at the marked locations.
3. Tap the wall anchor (I) into the drilled holes with a hammer.
4. Fixed the cabinet to the wall with screws (H)

NOTE: According to the distance between the cabinet and the wall, adjust the #J fitting to the appropriate position, and then tighten all the screws on the #J fitting.




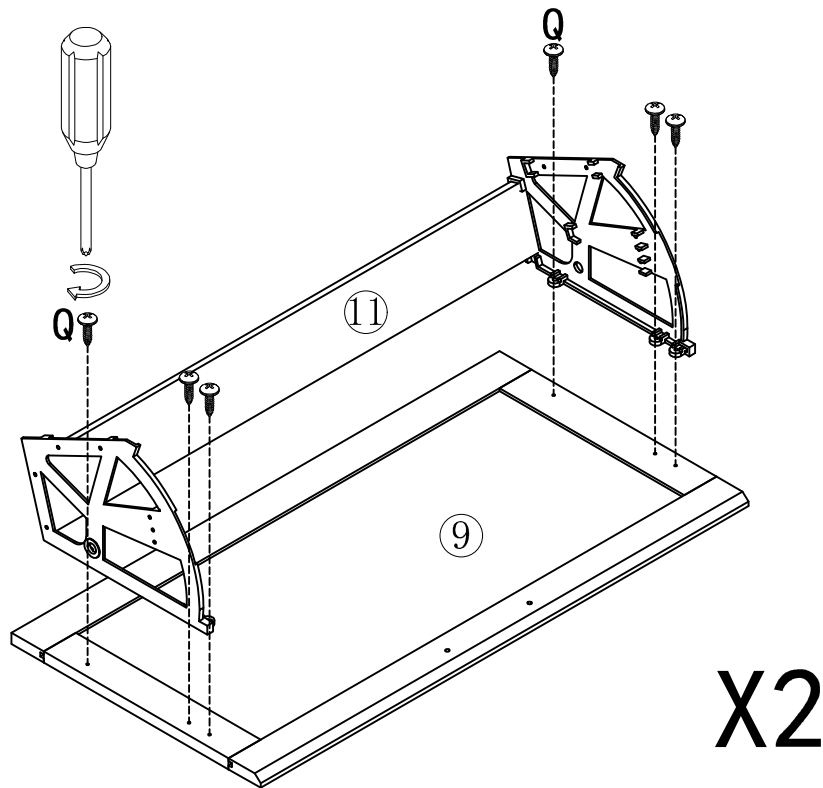
# Step 11

L	M	N	V	W
				
X8	X2	X2	X24	X8

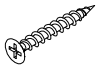


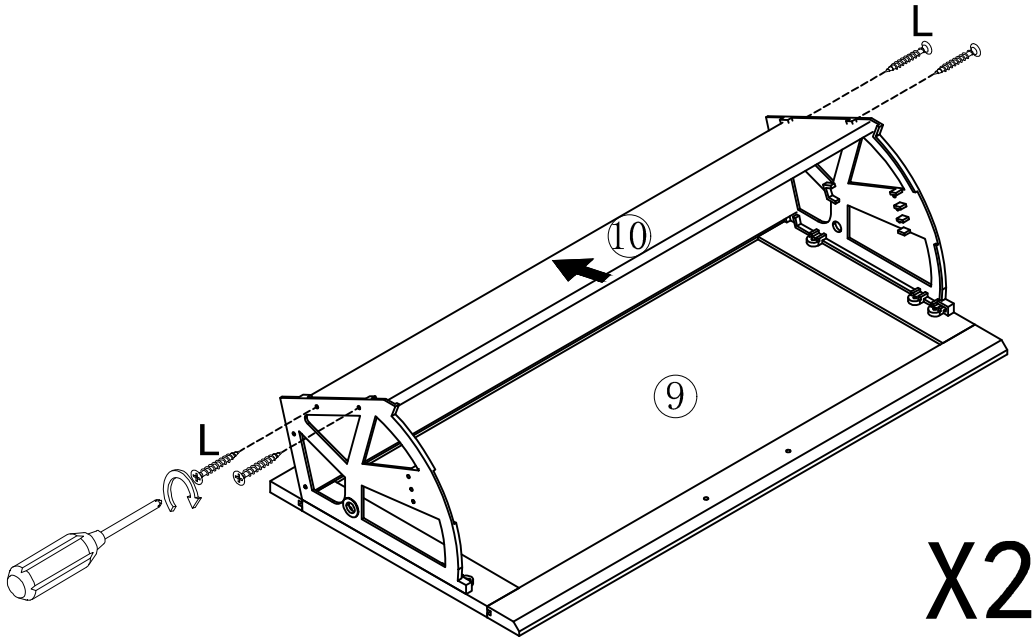
# Step 12

Q

X12

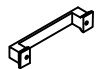



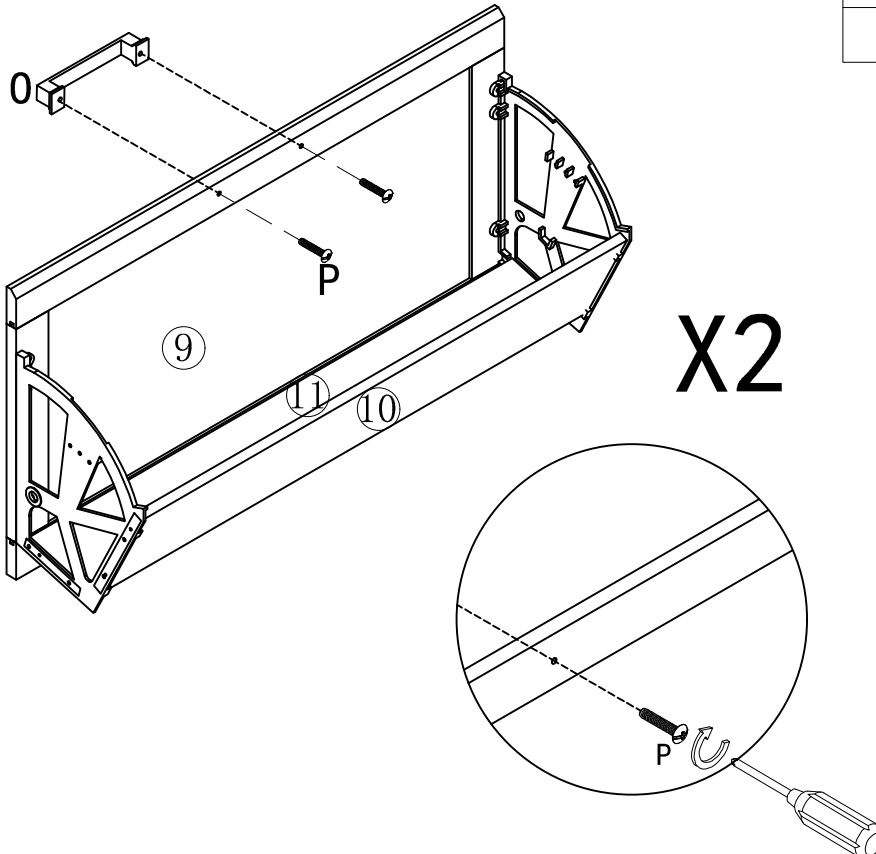
# Step 13

L

X8





# Step 14

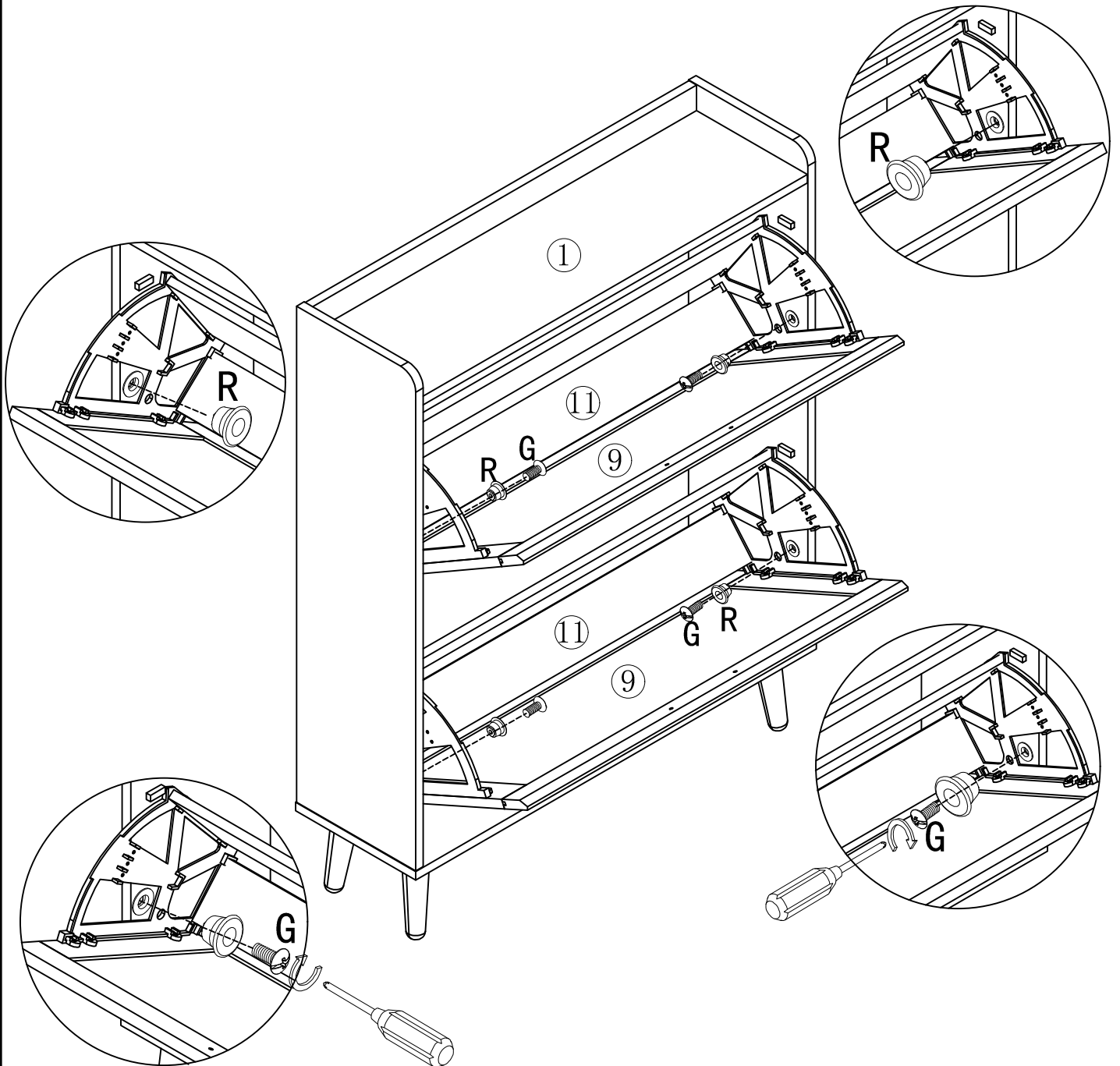
0	P
	
X2	X4



# Step 15

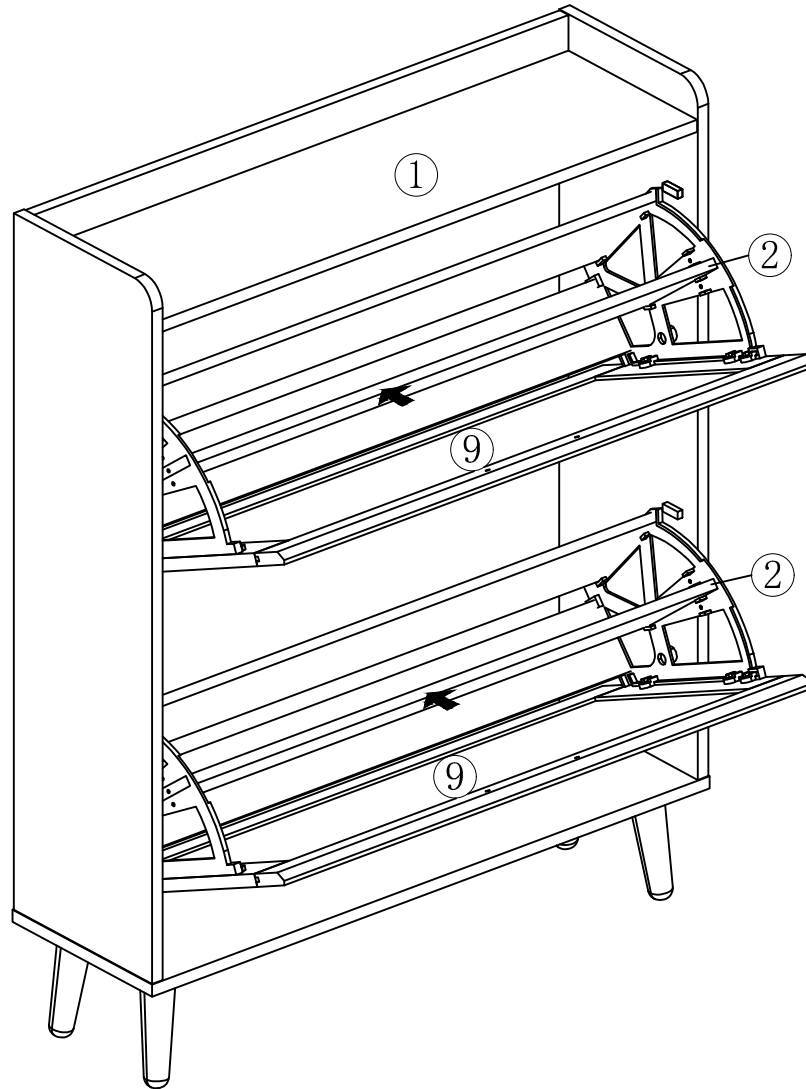
G	R
	
X4	X4

NOTE: The door requires 2 people to assemble.

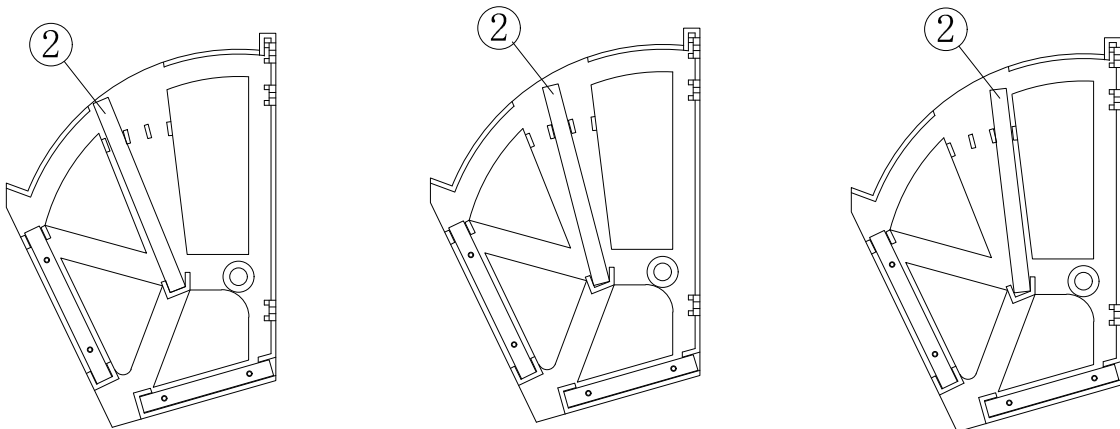


## Step 16

Note: The #2 board only needs to be inserted according to the position shown in the picture, no screws are required.



### Adjustable shelf for various size of shoes



Step 17

