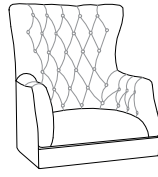


5'

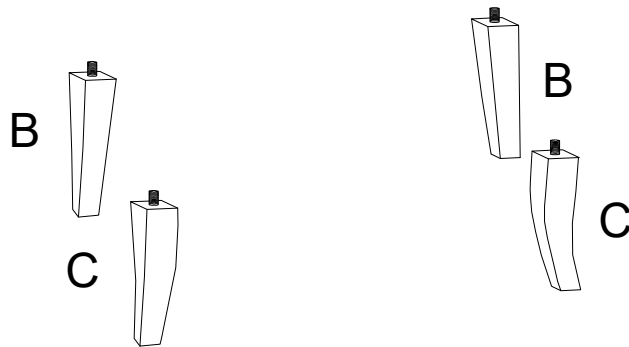
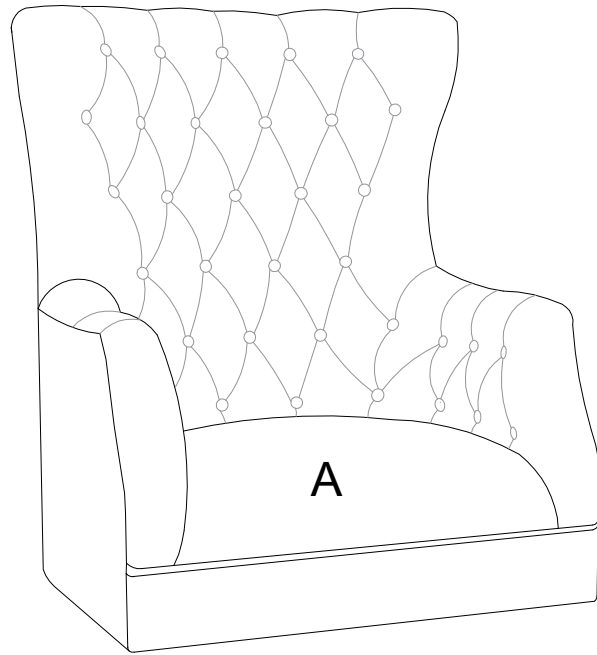


1

A



x 1



B



x 2

C



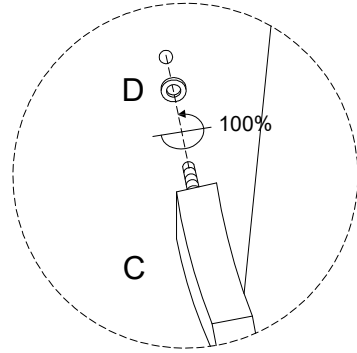
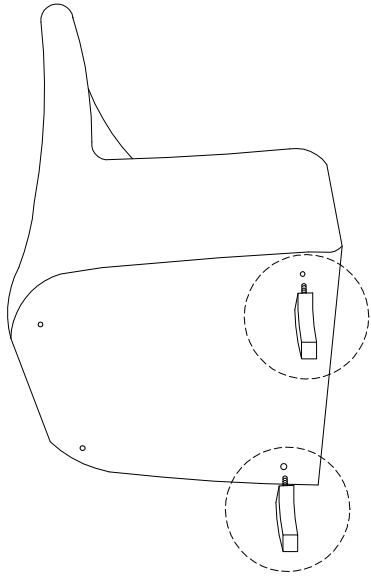
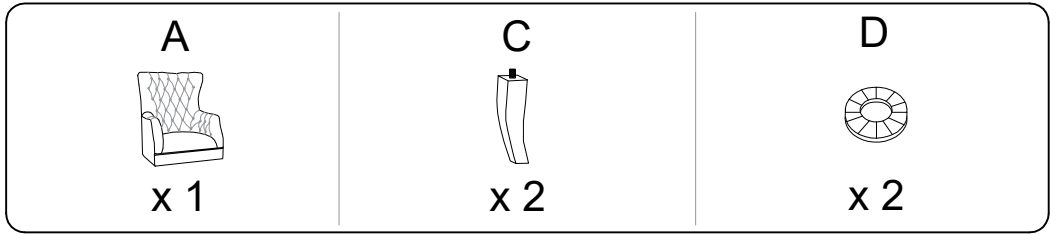
x 2

D



x 4

1



2

