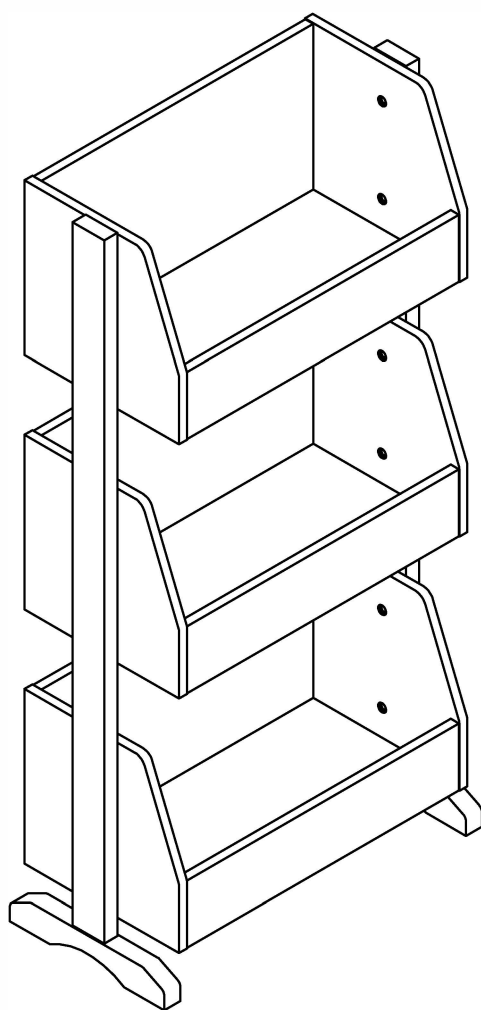


ASSEMBLY INSTRUCTION



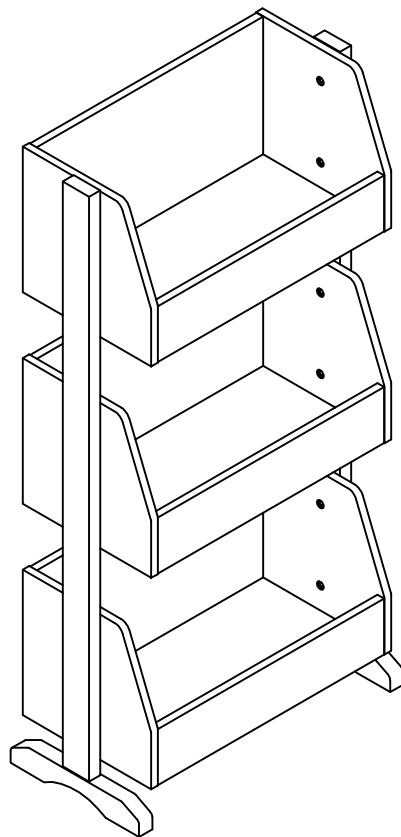
ASSEMBLY INSTRUCTION

PLEASE READ BEFORE ASSEMBLING!

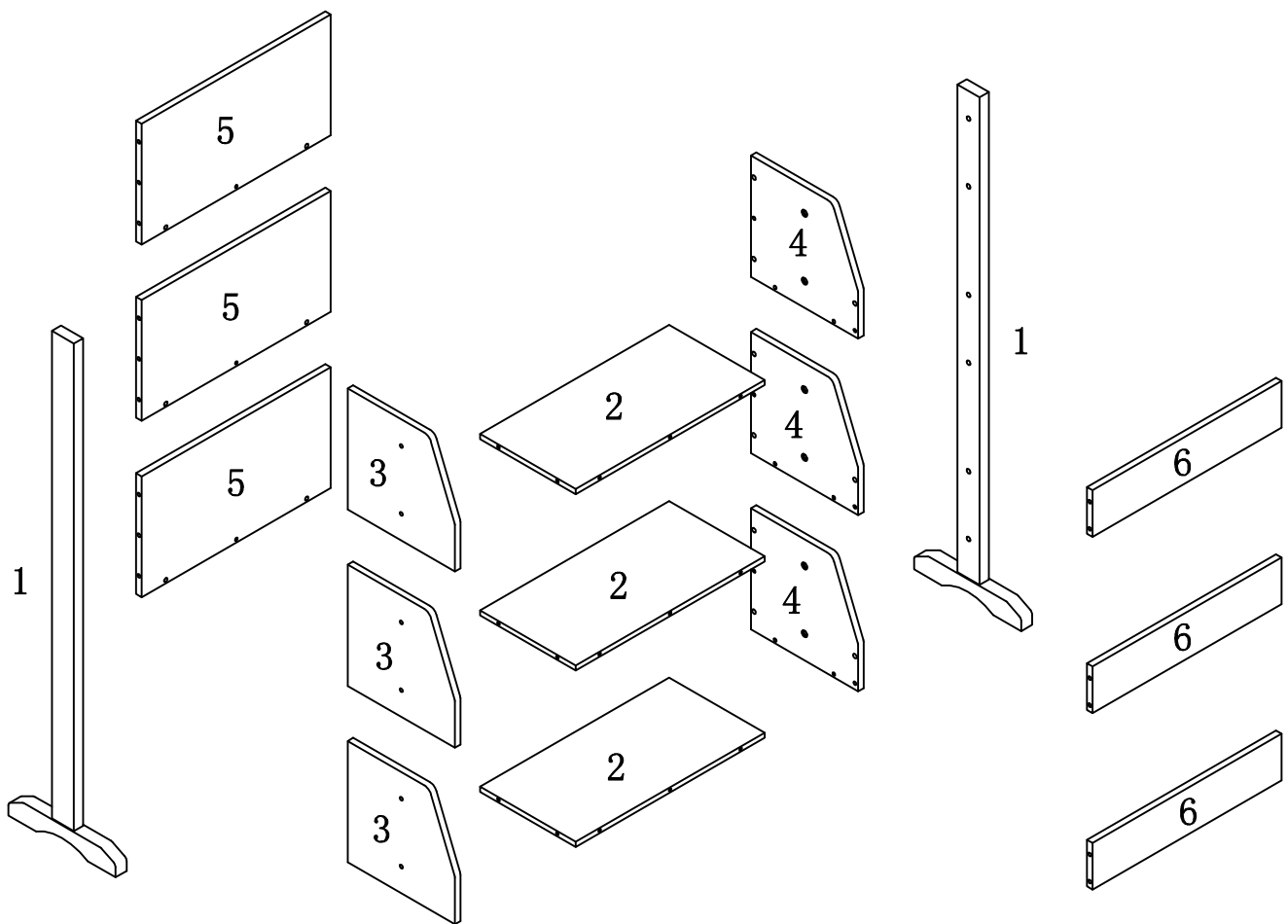
Tip #1: Make sure you've taken all the pieces and hardware out of its packaging before discarding the box.

Tip #2: Using page 2 and/or page 3 of instruction manual make sure all pieces and hardware are accounted for.

Tip #3: Read manual before assembling, it helps!




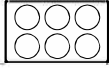
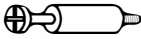





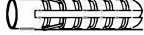

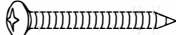




PARTS IDENTIFICATION

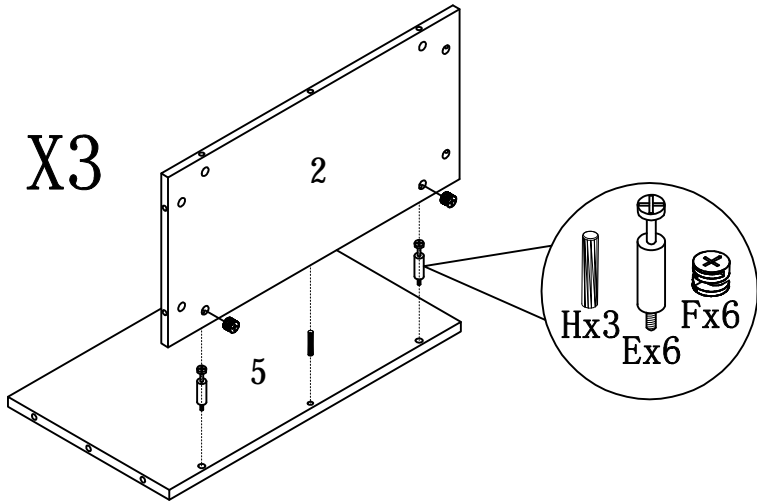


- | | |
|-----|------|
| (1) | 2pcs |
| (2) | 3pcs |
| (3) | 3pcs |
| (4) | 3pcs |
| (5) | 3pcs |
| (6) | 3pcs |

HARDWARE IDENTIFICATION

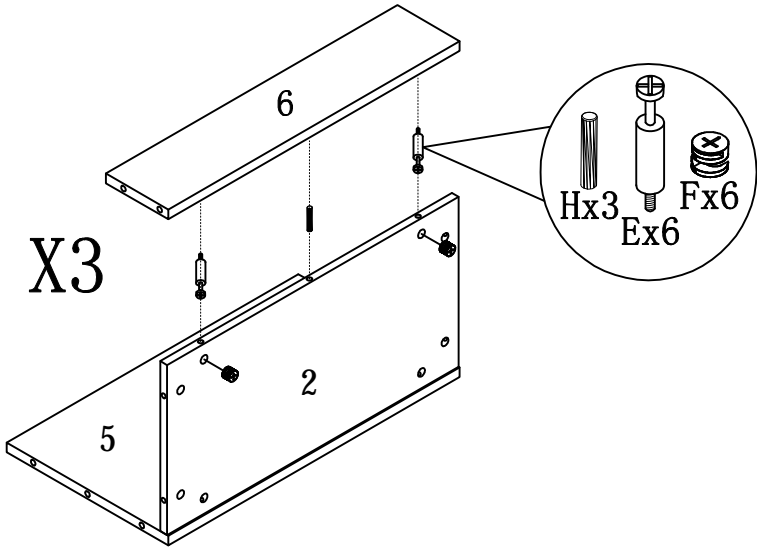
A		L29	18pcs
B		Ø15	18pcs
C		Ø8x25	12pcs
D		Ø22	30pcs
E		L24	24pcs
F		Ø12	24pcs
G		Ø16	4pcs
H		Ø6x30	6pcs
I		M6x20	12pcs
J		197x5x1	1pc
K		Ø8x40	1pc
L		12x12x1	2pc
M		Ø5x40	1pc
N		Ø4x25	1pc
O		Glue: For securing please apply to wood dowel first before inserting into panel	1pc

ASSEMBLY INSTRUCTION



STEP1

STEP2



ASSEMBLY INSTRUCTION

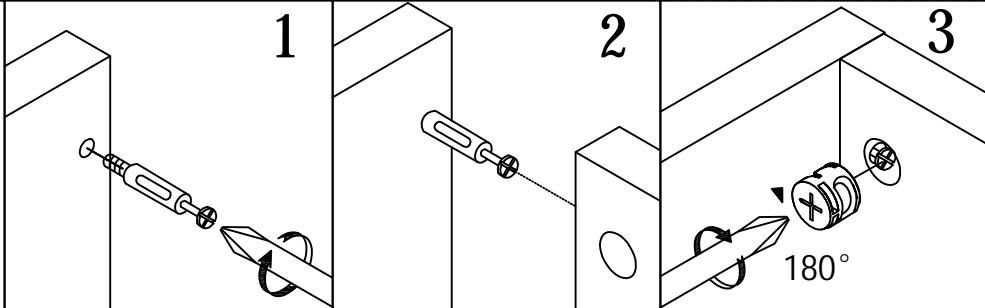
HOW TO



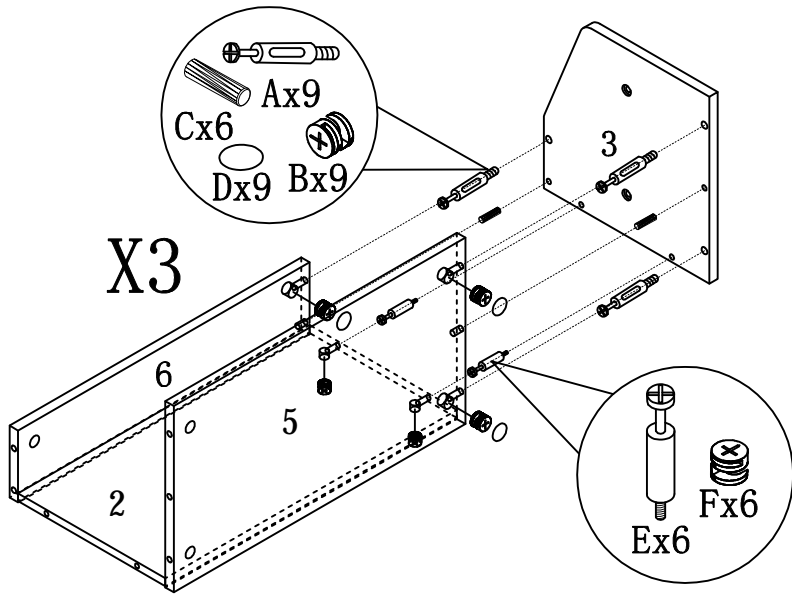
A



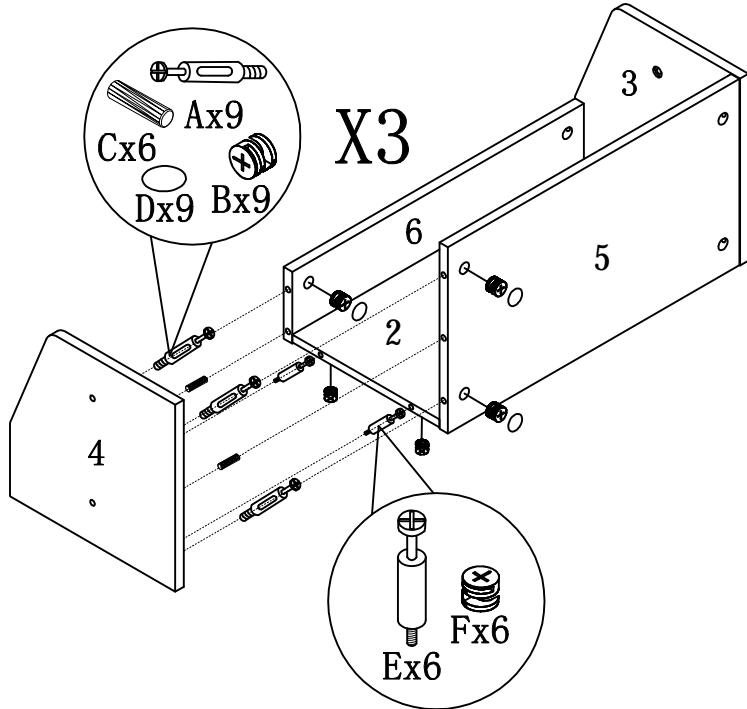
B



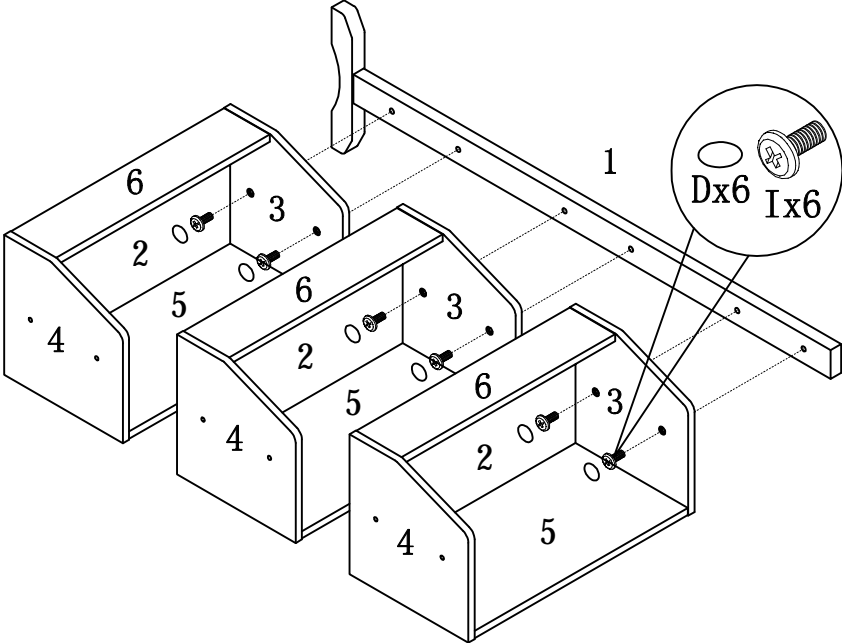
STEP3



STEP4

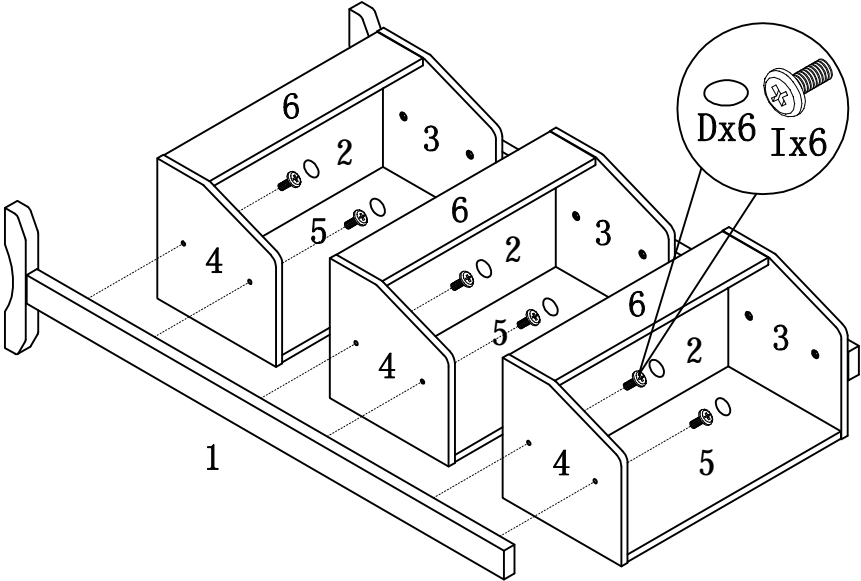


ASSEMBLY INSTRUCTION

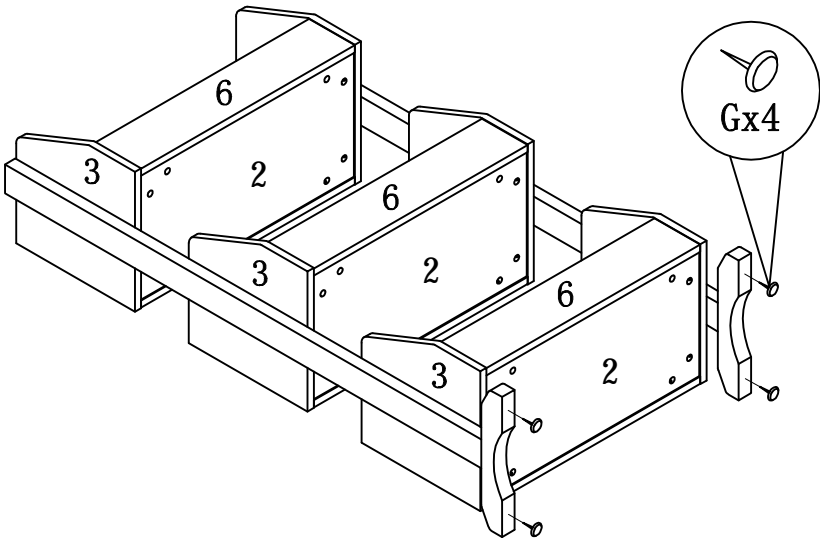


STEP5

STEP6

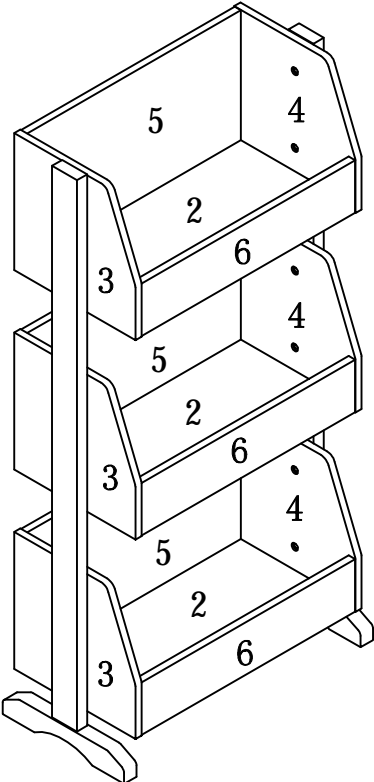


ASSEMBLY INSTRUCTION



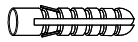
STEP7

STEP8

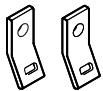


ANTI-TIPPING STRAP INSTRUCTION

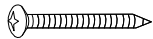
HARDWARE (INCLUDED) :



DRYWALL ANCHOR $\phi 8 \times 40$ X 1PC



METAL BRACKETS $12 \times 12 \times 1$ X 2PCS



DRYWALL SCREW $\phi 5 \times 40$ X 1PC

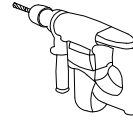


STRAP $197 \times 5 \times 1$ X 1PC



FLATHEAD SCREW $\phi 4 \times 25$ X 1PC

TOOLS NEEDED (NOT INCLUDED) :



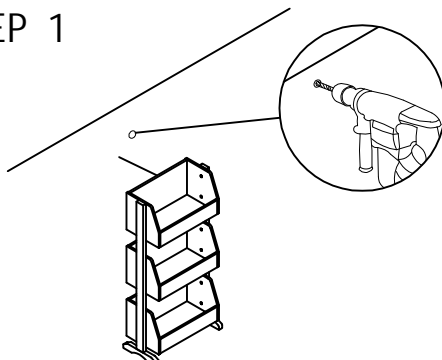
DRILL & DRILL BIT



LIGHT HAMMER

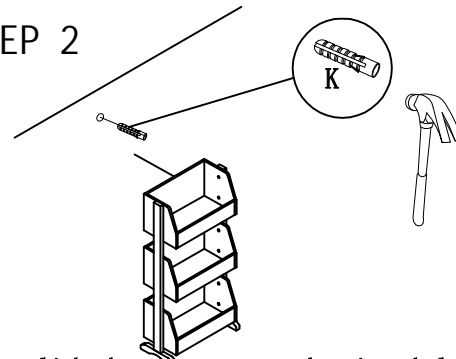
Note: Hardware included only compatible with standard drywalls.

STEP 1



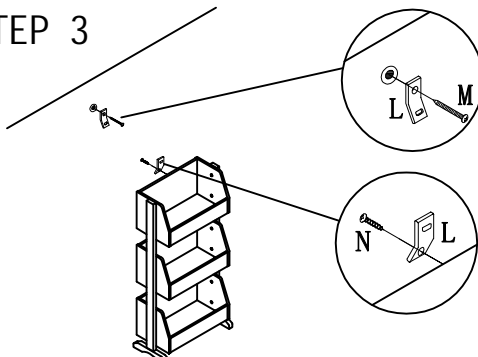
1. Find spot on wall 1" below top of item.
2. Using a drill bit slightly thinner than anchor, drill hole into drywall.

STEP 2



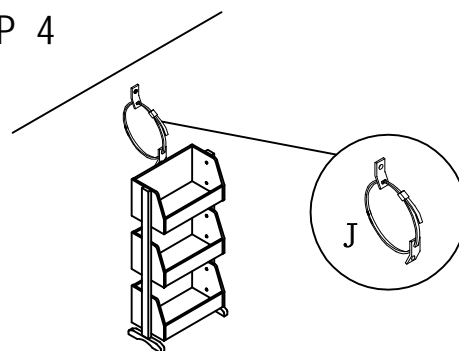
1. Use a light hammer to tap anchor into hole.
2. Anchor should fit snugly. If hole is too small, drill again to increase hole size. Do not force anchor into wall.

STEP 3



1. Insert drywall screw into metal bracket and into drywall anchor.
2. Insert flathead screw into second metal bracket and into back of item along top edge.

STEP 4



1. Insert strap thru bracket attached to wall, then thru bracket on item, and into head of strap.
 2. pull lightly til strap stops.
- Assembly is complete.