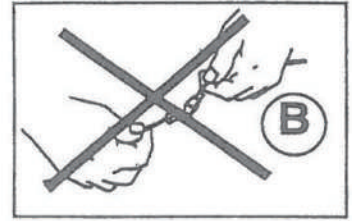
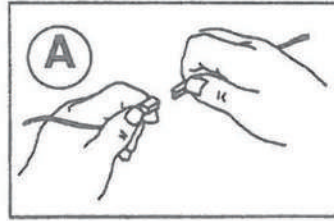


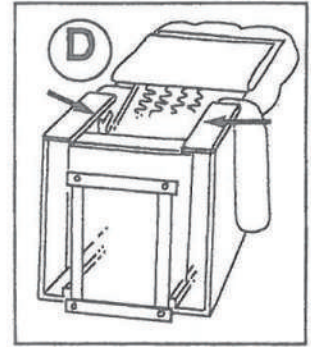
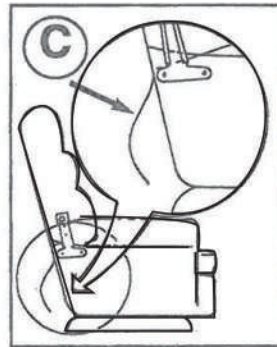
BACK REMOVAL INSTRUCTIONS

- Step 1** Unhook all connections, including the transformer at the wall socket. The **correct** way is to grasp and pull apart the connectors. **A**
Incorrect. Do not try to pull apart connectors by the wires. B

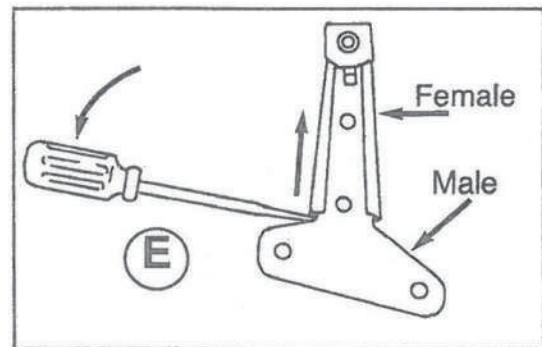


- Step 2** Lift back flap as far as it will go to expose the inside of the chair. **C & D**

Tilt chair forward to access the 2 seat/back connecting mechanisms located on wooden frame as in diagram. **D**



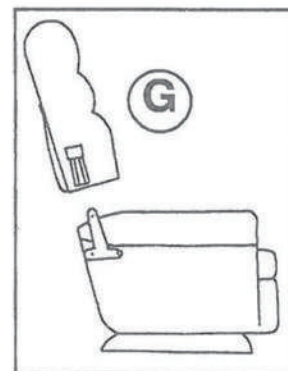
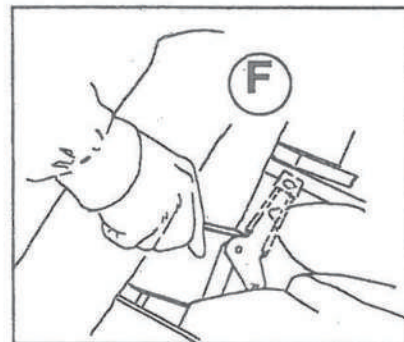
- Step 3** Locate the steel connecting mechanism **E**, & **F**. With a heavy screw driver or bar placed between the male and female parts of the mechanism, **E**, press down briskly, thus separating the two pieces. When both sides are separated, and all electrical connectors are disconnected, the back may be lifted from the seat, **G**



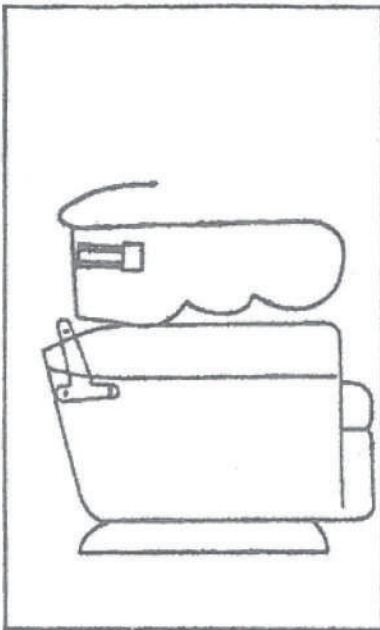
CAUTION: Separation of the back from the seat takes place **only** by uncoupling the male piece from the female piece located inside the chair.

See diagrams **E**, and **F**.

Do not try to take them apart by prying or pulling the back from the arm rest as damage may occur to the chair/recliner.

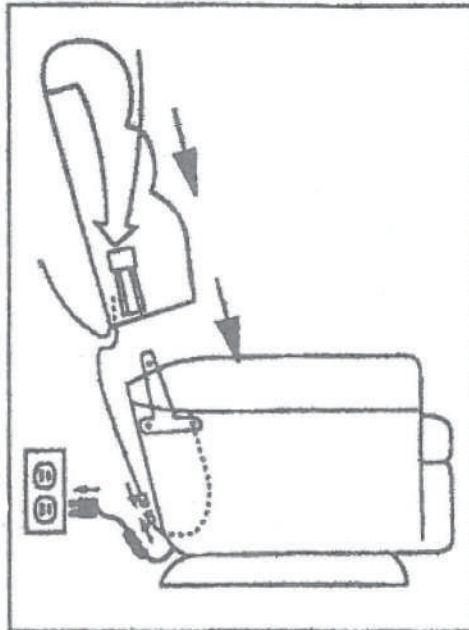


Back Attachment for REGULAR & ELECTRONIC CHAIRS



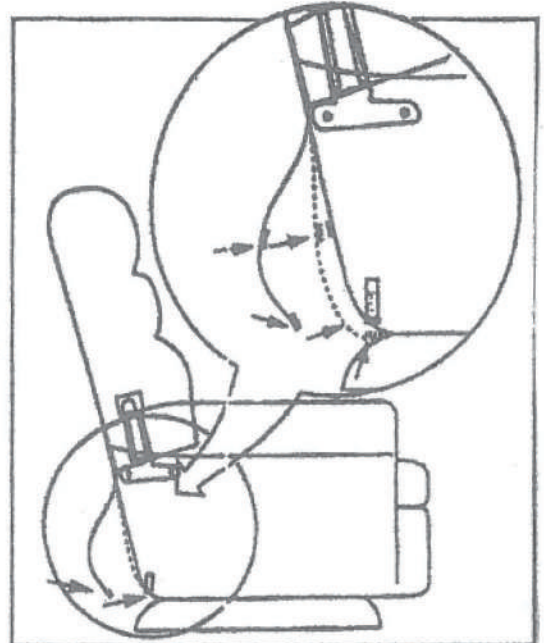
STEP 1

Remove bags from seat and back.



STEP 2

Hold back and flap with both hands and align interlocking brackets together. Apply downward force to top of back (both sides equally) to insure snap engagement.



STEP 3

Note: For electronics connect the wire coming from the back to the connector under back seat rail. The AC adapter must be plugged into wall outlet. Attach Velcro back flap, starting in the middle and working toward outside, pulling flap tight as you go.

Note: If connectors are the same, use color code on wires.