

## Care and Maintenance

Dust with a soft, dry cloth. Do not use abrasive cleaner. To clean mirror, spray a small amount of glass cleaner onto a lint-free cloth and wipe mirror clean.

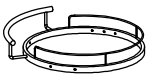

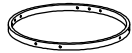
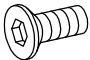



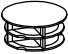






## Notice

\* Please make sure that you have all parts indicated before you begin assembly of this item.

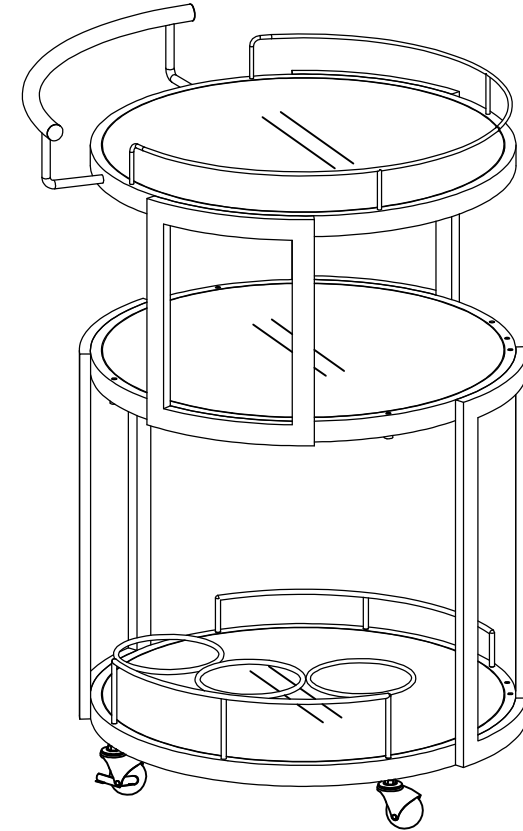
\* This item should be assembled on a soft surface to prevent scratching the finish during assembly

\* This item may require periodic tightening

## Part List and Hardware List

PIECE	DESCRIPTION	PICTURE	QUANTITY	PIECE	DESCRIPTION	PICTURE	QUANTITY
A	Top Handle Frame		1X	H	Open end wrench		1X
B	Shelf Ring		1X	I	Bolt		16X
C	Bottom Ring		1X	J	Glass Holder		12X
D	Top Side Frame		2X	K	Plastic Cap		2X
E	Bottom Side Frame		2X	L	Washer		4X
F	Glass		3X	M	Wheel		2X
G	Allen wrench		1X	N	Lockable Wheel		2X

Product Dimensions: 23.83"L x 20.67"D x 33.07"H



WEIGHT CAPACITY: 22LBS

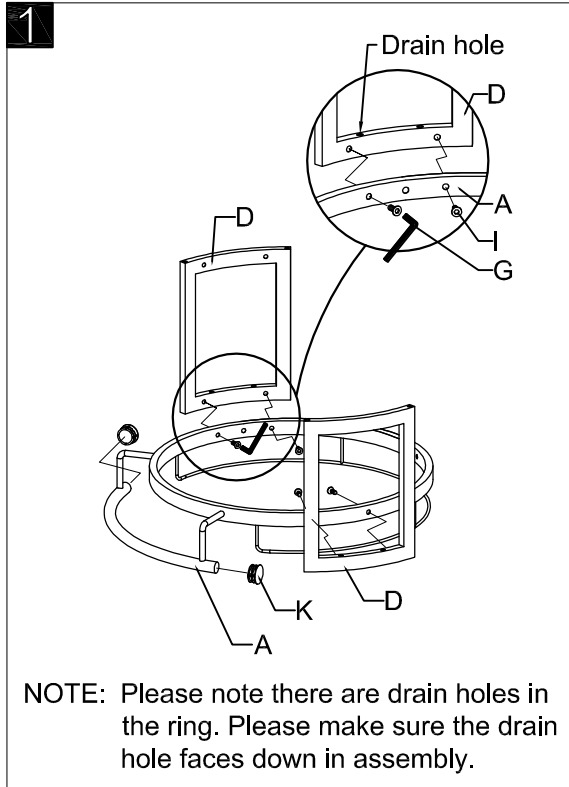
## Preparation

Before beginning assembly of product, make sure all parts are present. Compare parts with package contents list and hardware contents list.

If any part is missing or damaged, do not attempt to assemble the product.

Estimated Assembly Time: 30 minutes.

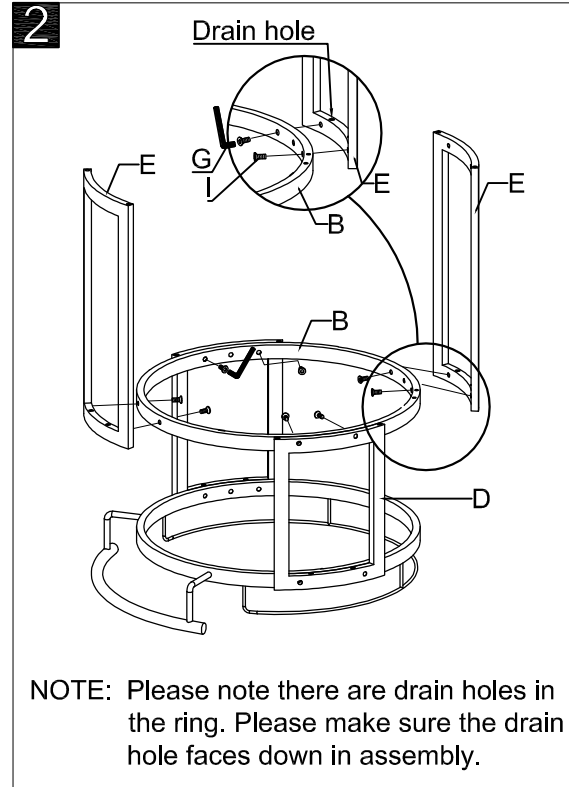
Tools Required for Assembly (included): Assembly Fininal



NOTE: Please note there are drain holes in the ring. Please make sure the drain hole faces down in assembly.

### Step 1

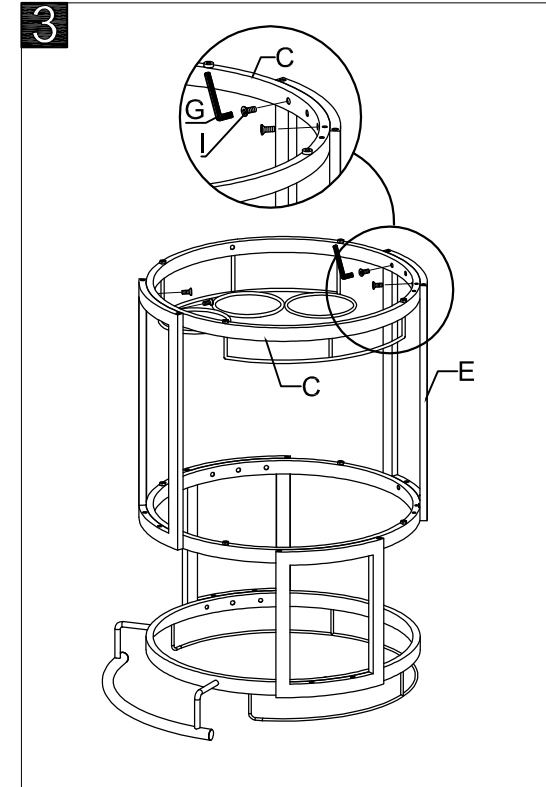
Assemble top handle frame (A) to top side frame (D) with bolt (I) by use of Allen wrench (G) as shown in drawing. Put plastic cap (K) in the tube end of top handle frame (A).



NOTE: Please note there are drain holes in the ring. Please make sure the drain hole faces down in assembly.

### Step 2

Assemble shelf ring (B) to top side frame (D) with bolt (I) by use of Allen wrench (G). Then assemble bottom side frame (E) onto shelf ring (B) with bolt (I) by use of Allen wrench (G) as shown in drawing.



### Step 3

Assemble bottom ring (C) to bottom side frame (E) with bolt (I) by use of Allen wrench (G) as shown in drawing. Tighten up all the bolts (I) now.

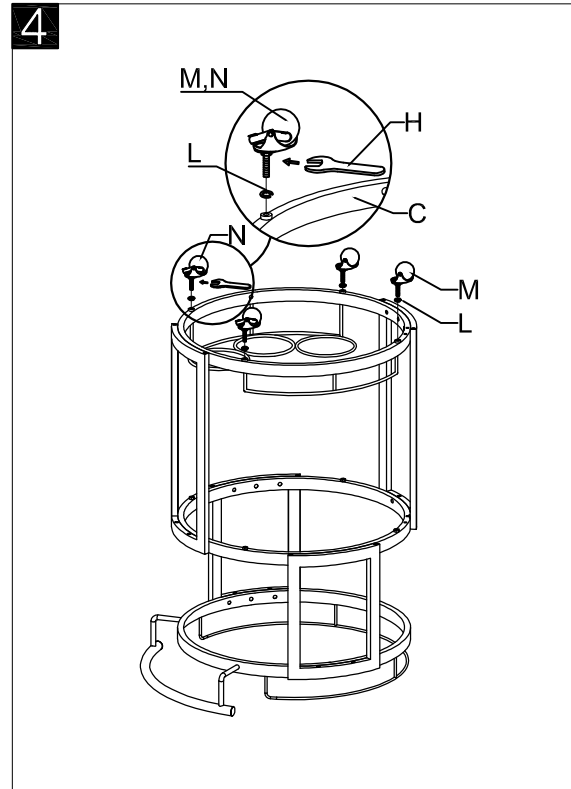
## Preparation

Before beginning assembly of product, make sure all parts are present. Compare parts with package contents list and hardware contents list.

If any part is missing or damaged, do not attempt to assemble the product.

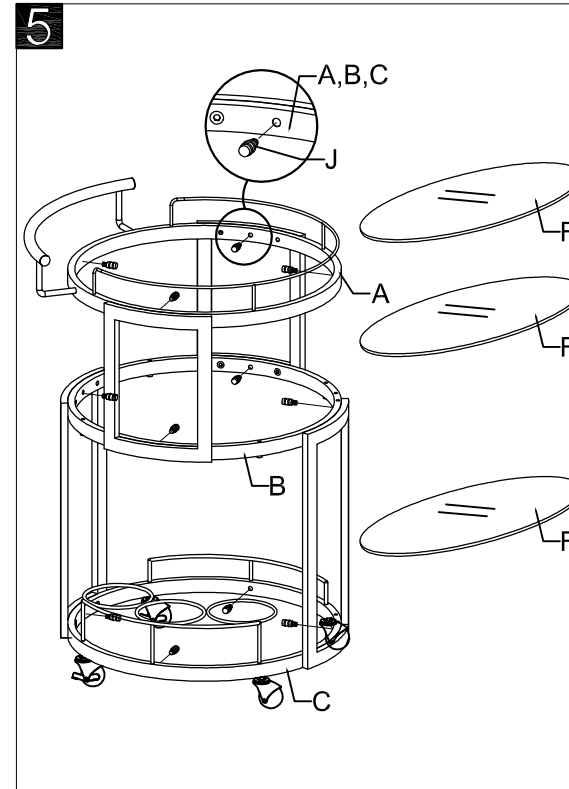
Estimated Assembly Time: 30 minutes.

Tools Required for Assembly (included): Assembly Fininal



Step 4

Screw in wheel (M) and lockable wheel (N) onto the threaded holes in the bottom ring (C) with washer (L) by use of open end wrench (H).



Step 5

Insert glass holder (J) in the threaded holes on the top handle frame (A), shelf ring (B) and bottom ring (C) as shown in drawing and place glass (F) onto the frames.