

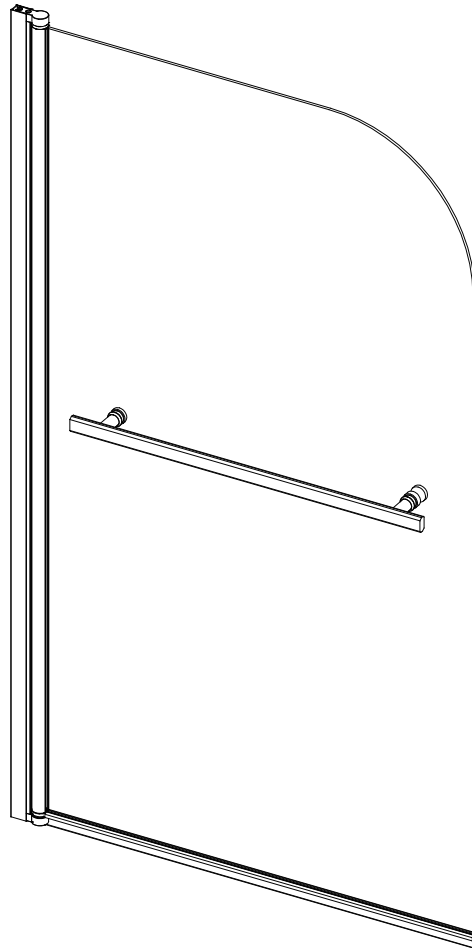
# CKB

## INSTALLATION INSTRUCTIONS

---

FOR SHOWER DOOR AND BATHTUB DOOR

## PORTLAND SERIES



PO-3555-CH/BN/MB-40T

FINISH :

**CH**-Chrome

**BN**-Brushed Nickel

**MB**-Matte Black

---

## ◆ General Information

Inspect the product immediately upon receipt for transit damage, missing packs/parts or manufacturing fault. Damage reported later will not be accepted. Handle the product with care avoiding knocks and shock loading to all sides and edges of the glass.

**Notes: Safety glass can not be re-worked.**

Read these instructions carefully before start of installation.

Special care should be taken when drilling walls to avoid hidden pipes or electrical cables.

Note: This product is heavy and may require two people to install.

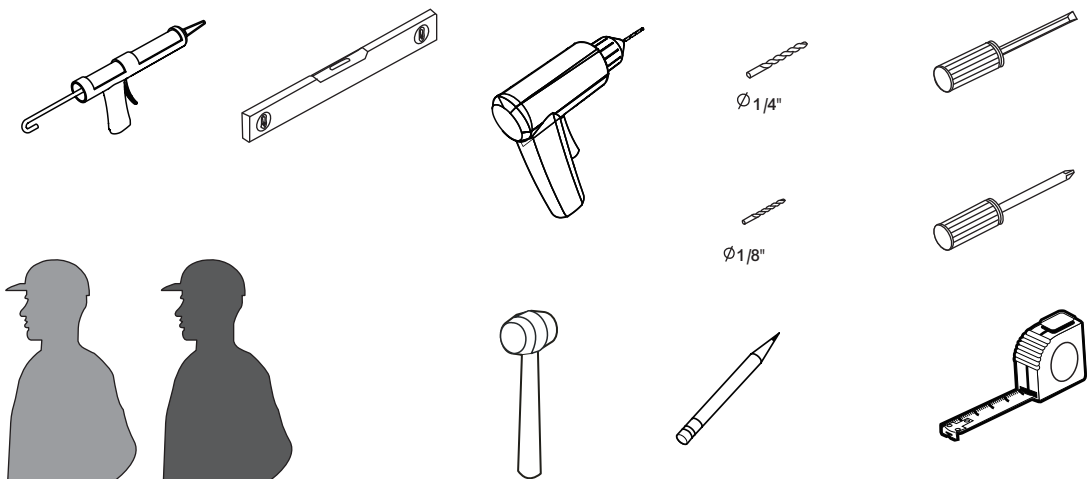
## Aftercare instructions

After use, your shower should be cleaned with soap and water. This is particularly important in hard water districts where insoluble lime salts maybe deposited and allowed to build up. Cleaners of a gritty or abrasive nature should not be used. Care should be taken to avoid contact with strong chemicals, they can be used but with caution, if in doubt contact the manufacturer of the cleaner in question.

Keep these instructions for aftercare and customer service details.

---

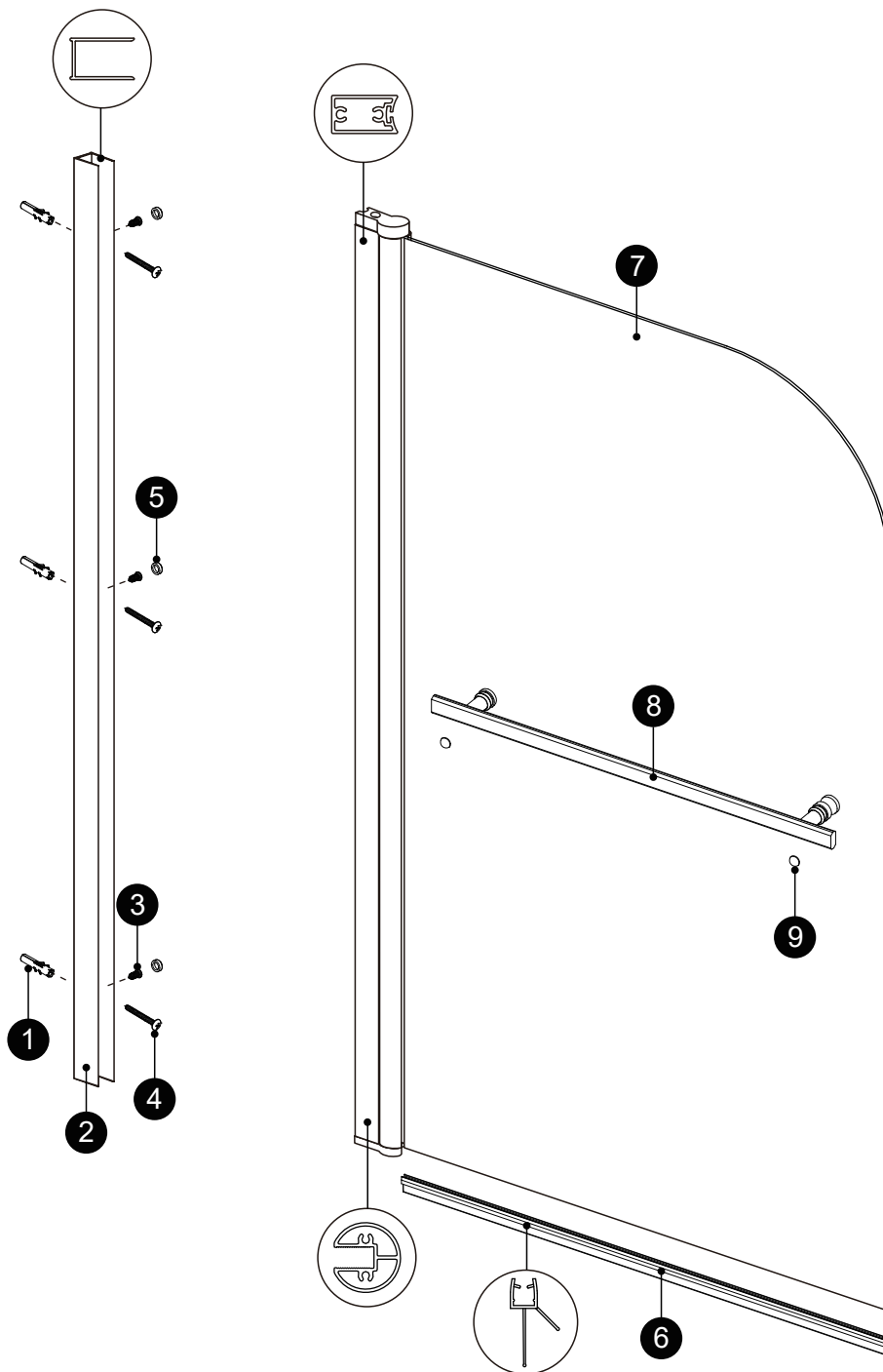
## Tools Required



This product is heavy and may require two people to install.



## ◆ Assembly Drawing

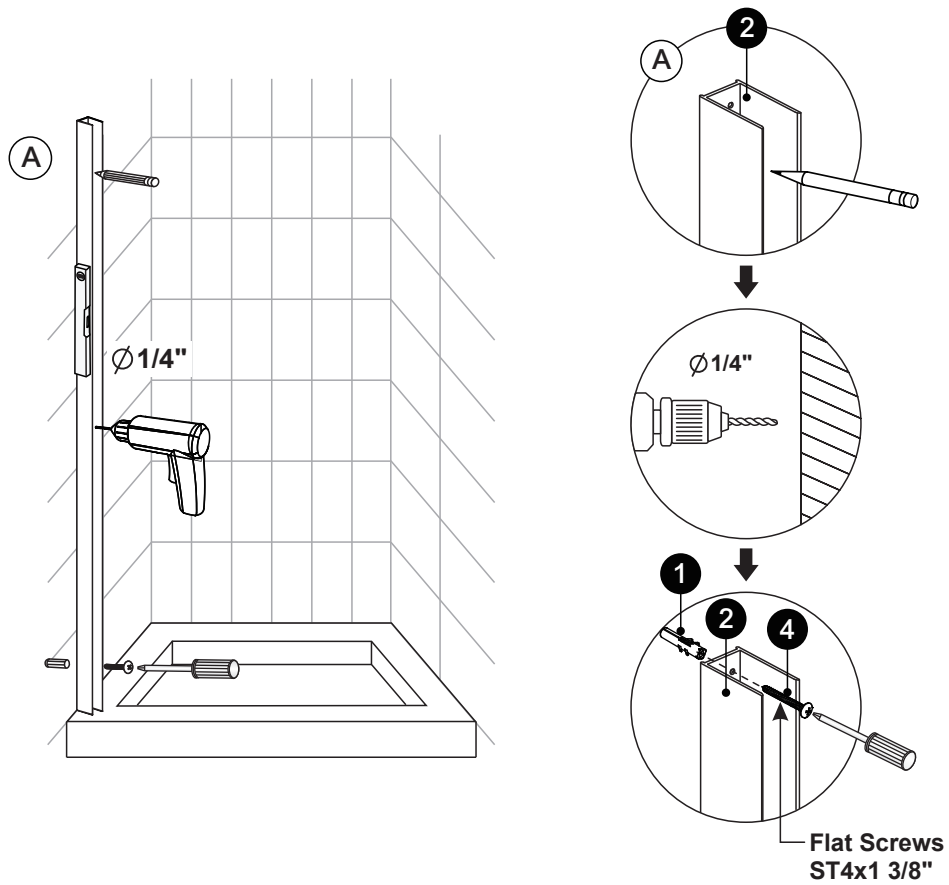


### PACKING LIST

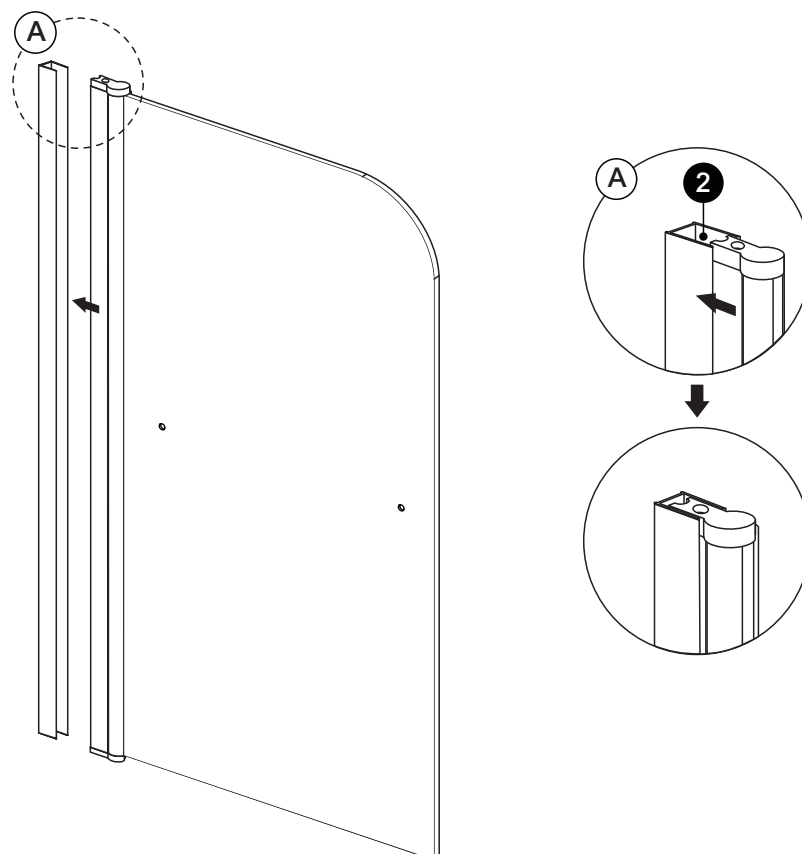
PART #	DESCRIPTION	Q'TY	PART #	DESCRIPTION	Q'TY
1	Wall Plugs	3pcs	6	Bottom Door Gasket	1pc
2	Wall Jamb	1pc	7	Door Panel	1pc
3	Screws ST4x5/16"	3pcs	8	Towel Bar	1pc
4	Screws ST4x1 3/8"	3pcs	9	Collision-proof plastic particles	2pcs
5	Screws Caps	3pcs			

## ◆ Installation Steps

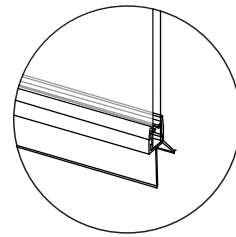
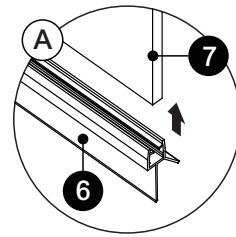
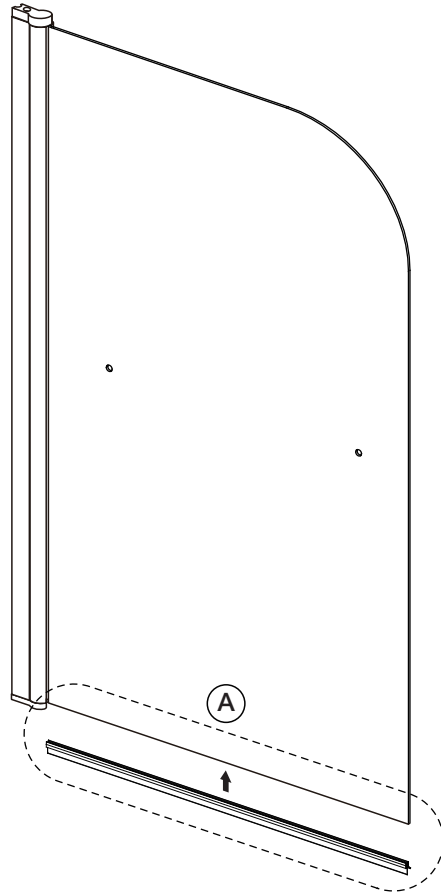
### Step 1



### Step 2

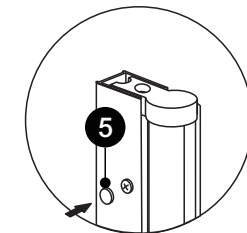
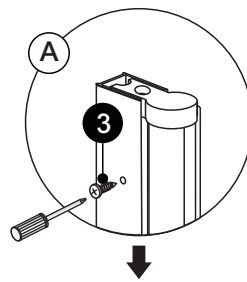
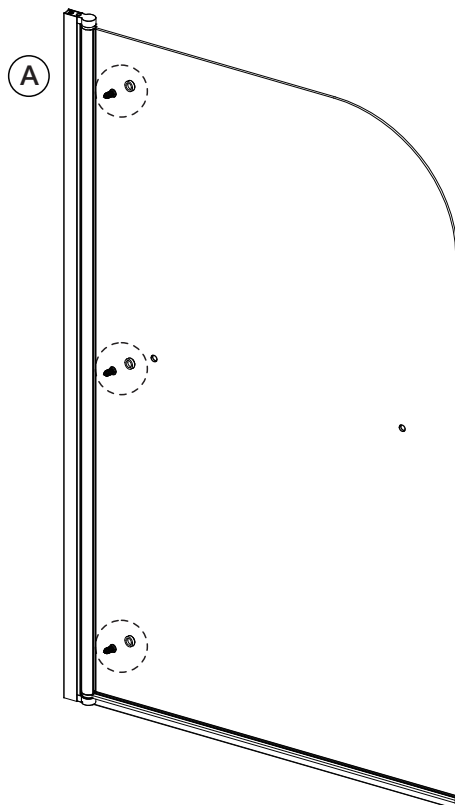


### Step 3



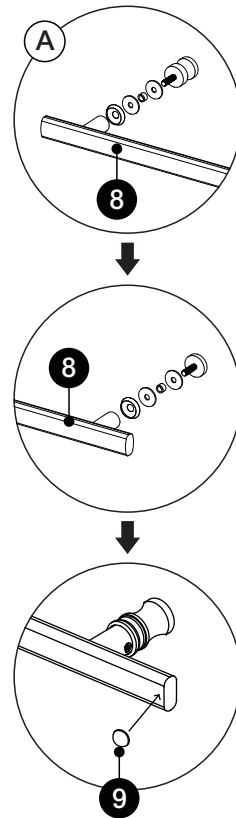
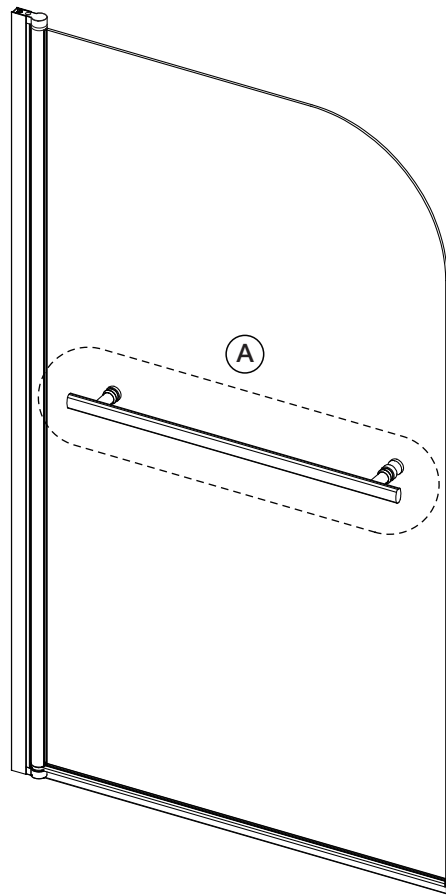
View from outside

### Step 4

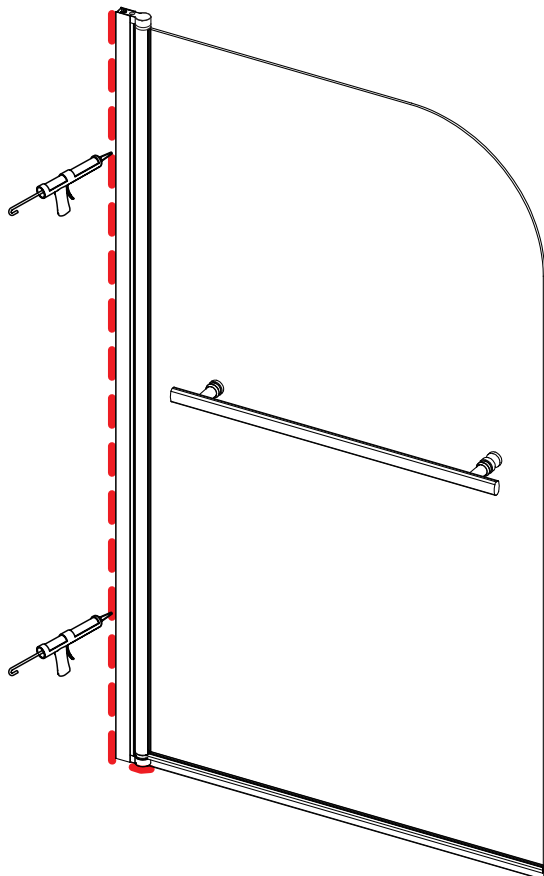


View from inside

## Step 5



## Step 6



**24 HOURS**

Allow 24 hours for silicone to dry before use.

# CKB<sup>®</sup> EXCLUSIVE LIMITED WARRANTY

Thank you for purchasing one of our quality shower products.

CKB offers the following parts only, limited warranty for its products and components thereof in the designated period. CKB's limited warranty is non-transferable and shall not be transferred to a subsequent owner. CKB's limited warranty is only for the original owner/end-user and household use and excludes all industrial, commercial and business usage (for commercial use please see **COMMERCIAL USE** section). CKB reserves the right to modify this limited warranty at any time, but the conditions of the limited warranty applicable at the time of sale of the products will not be altered by such modifications.

As long as the product continues to be used in its original installation place, this limited warranty will be extended for the designated period of time. This limited warranty only applies to CKB products purchased and installed from an authorized reseller in the United States or Canada.

The improper installation of products by an inexperienced installer, including but not limited to glass products (i.e., shower and tub doors), may cause glass breakage or product damage and then may result in personal injury or even death, and CKB recommends that products be installed by professionals experienced (specifically in the installation of bathroom products). Installation or repairs that does not follow the installation manual shall VOID THE WARRANTY. Please follow the installation manual for installation.

**CKB SHALL REPAIRS OR REPLACES THE DEFECTIVE PART(S) OR PRODUCT(S) AT COST AND THE LIABILITY OF CKB IN NO EVENT SHALL EXCEED THE PURCHASE PRICE OF THE PRODUCT. FOR ANY SPECIAL, INCIDENTAL OR CONSEQUENTIAL DAMAGES, NO RESPONSIBILITY IS ASSUMED BY CKB.**

Proof of purchase (original sales receipt) from the original purchaser, description and pictures of defect, model number or model description must be provided to CKB for all warranty claims and CKB IS NOT responsible for labor cost, removal or installation costs.

## PRODUCT WARRANTY PERIODS

The laws and regulations governing the installation and use of shower or tub doors, shower enclosures, shower bases, and other accessories vary widely by region, state or municipality. Except as otherwise provided above, there shall be no warranties or obligation, express or implied, oral or statutory, including warranties of merchantability and fitness for a particular purpose, or compliance with any code. There is no liability by CKB to verifying building code restrictions on installation or use, and this warranty does not include any such compliance. CKB reserves the right to modify this limited warranty at any time - such warranty modifications will not alter the warranty that applies at the time of sale of the products in question. The warranty periods for specific products for consumer (non-industrial, non-commercial, non-business use only) are as specified below:

**SHOWER DOOR, TUB DOORS, SHOWER ENCLOSURES: LIFETIME LIMITED WARRANTY** (lifetime limited warranty on glass of shower doors, tub doors and shower enclosures to be free of from defects in workmanship and materials under normal residential use for a period commencing from the initial date of purchase by the owner/ end-user, contractor or builder from an authorized CKB dealer for the life of the product as long as the original consumer purchaser resides in the home in which the product is installed.) **CKB DOES NOT WARRANT GLASS FOR WATER SPOTS, SCRATCHES, CHIPS, BREAKING OR ANY OTHER DAMAGE AFTER INSTALLATION. ONE (1) YEAR LIMITED WARRANTY ON OTHER HARDWARE** (i.e. PLASTIC SEAL STRIPS, SWEEPS OR ANY OTHER VINYL COMPONENTS).

**SHOWER DOORS, TUB DOORS, SHOWER ENCLOSURE HARDWARE: LIFETIME LIMITED WARRANTY** (lifetime limited warranty on shower door, tub door and shower enclosure hardware (handles, rollers, hinges, profiles, clips, guides, brackets, towel bars) in chrome, brushed nickel, polished stainless steel, and brushed stainless steel finishes only to be free from defects in workmanship and materials under normal residential use for a period commencing from the initial date of purchase by the owner/ end-user, contractor or builder from an authorized CKB dealer for the life of the product as long as the original consumer purchaser resides in the home in which the product is installed. **ONE (1) YEAR LIMITED WARRANTY ON ANY COATING ON HARDWARE IN CHROME OR BRUSHED NICKLES OR MATTE BLACK OR SATIN GOLD FINISH.**

**SHOWER BASES: LIFETIME LIMITED WARRANTY** (lifetime limited warranty on bases to be free from defects in workmanship and materials under normal residential use for the life of the product as long as the original consumer purchaser resides in the home in which the product is installed.

## LIMITED WARRANTY TERMS

During this limited warranty period, if a malfunction occurs and after inspection it is determined that a defect developed during normal residential use and maintenance, CKB will, at its option, repair or replace a product found by CKB, in its sole judgment. The replacement of a product is limited to replacing the defective product or part at cost (same as existing product or if not available, comparable product). The warranty obligation by CKB shall be discharged upon supply of parts, repair, or replacement of the product. The refusal to accept the tender by purchaser terminates all warranty obligations and **VOIDS THE WARRANTY. IN NO EVENT WILL CKB BE RESPONSIBLE FOR COSTS OF INSTALLATION, REMOVAL, REPAIR, REPLACEMENT OR REINSTALLATION OF ANY PRODUCT REQUIRING WARRANTY SERVICES.** Under under this limited warranty, cost of freight for returning products to CKB for repairs or replacement and Cost of freight associated with shipping of replacement product(s) or parts covered by this limited warranty are the responsibility of the customer. Any product repaired or replaced will be covered only for the remaining period of the original limited warranty within the warranty period .

Any modification or alteration of any CKB product will void the warranty. Neither the authorized CKB dealer, nor any other person, has the authority to make any affirmation, representation, or warranty other than those contained in this limited warranty. In no event shall be held responsible for any such warranties or representations. Except as contained in this limited warranty, any affirmation, representation, or warranty shall not be enforceable against CKB or any other person.

CKB recommends that product be installed and repaired by an experienced professional in accordance with the installation manual. Installation or repairs that does not follow the installation manual shall **VOID THE WARRANTY.** This limited warranty shall not apply to products which have been subject to breakage or damages caused by normal wear and tear, carelessness, fault, misapplication, misuse, abuse, improper maintenance, modification or alteration of the unit, as well as chemical or natural corrosion, accident, flood, fire, act of God or any other casualty. Improper care and cleaning, especially use of cleaners containing abrasive cleansers, alcohol, waxes, ammonia, solvents, bleach, acids or other products not recommended for glass, acrylic, or hardware finishes, will **VOID THE WARRANTY,** because they may damage the metal or glass finish of your product. Please refer to the product installation manual for additional product maintenance instructions. There is no responsibility assumed by CKB for any issues arising from errors or omissions in information provided on CKB or dealers' websites. Any non-CKB plumbing or components installed by installers, end users or by any party other than CKB are excluded from this limited warranty.

**THE FOREGOING LIMITED WARRANTIES ARE IN LIEU OF ALL OTHER WARRANTIES, EXPRESS OR IMPLIED, INCLUDING BUT NOT LIMITED TO THE IMPLIED WARRANTIES OF MERCHANTABILITY AND FITNESS FOR A PARTICULAR PURPOSE. THIS LIMITED WARRANTY DOES NOT COVER ANY LIABILITY FOR INCIDENTAL, CONSEQUENTIAL OR SPECIAL DAMAGES, ALL OF WHICH ARE HEREBY EXPRESSLY DISCLAIMED. THERE IS NO LIABILITY BY CKB FOR PERSONAL INJURIES OR DEATH TO ANY PERSON OR FOR ANY INDIRECT, INCIDENTAL, SPECIAL OR CONSEQUENTIAL DAMAGES, INCONVENIENCE, LOSS OF TIME, LOSS OF USE, LOSS OF PROFITS, LABOR OR MATERIAL CHARGES, INCIDENTAL EXPENSES, OR ANY OTHER COSTS RESULTING FROM THE USE OF ITS PRODUCTS OR PERTAINING TO THE APPLICATION OF THE PRESENT WARRANTY, OR RESULTING FROM THE REMOVAL OR REPLACEMENT OF ANY PRODUCT OR PART COVERED BY THIS WARRANTY.**

## PARTS ONLY LIMITED WARRANTY

All defective replacement parts for the designated period are included in the limited warranty. **BUT THIS LIMITED WARRANTY EXCLUDES DAMAGE AND/OR LABOR CHARGES INCURRED IN THE PROCESS OF INSTALLATION, REPAIR, OR REPLACEMENT, AND ANY OTHER KINDS OF ANCILLARY COST, LOSS OR DAMAGE.** Please allow 24-72 hours to process warranty issued parts. Warranty replacement parts once are shipped, the warranty is activated and then product cannot be returned for refund thereafter.

## COMMERCIAL USE

The duration of this applicable limited warranty excludes all industrial, commercial and business usage, notwithstanding any other terms in this warranty. **EXCEPT THE DURATION OF THE WARRANTY, ALL OTHER TERMS OF THIS WARRANTY IS APPLICABLE FOR COMMERCIAL APPLICATIONS OR USED IN COMMERCIAL VENTURES. THE WARRANTY PERIOD OF PRODUCTS INSTALLED FOR COMMERCIAL APPLICATIONS OR USED IN COMMERCIAL VENTURES, INCLUDING SHOWER DOORS, BATHTUB DOORS, SHOWER ENCLOSURES, SHOWER BASES, AND OTHER HARDWARES (INCLUDED ALL DOOR HANDLES), IS A ONE (1) YEAR LIMITED WARRANTY FROM THE DATE OF PURCHASE.**

## STATE LAWS AND THIS WARRANTY

Some states/provinces do not allow limitations on how long an implied warranty lasts, or the exclusion or limitation of consequential, incidental or special damages, so these limitations and exclusions may not apply to you. This warranty gives you specific legal rights. You may also have other rights, which vary from state/state to province/province.

## **OTHER EXCLUSIONS**

**CKB HEREBY DISCLAIMS ALL WARRANTIES, EXPRESS OR IMPLIED, FOR PRODUCTS SOLD AS DEALER OR STORE DISPLAYS, INCLUDING THE IMPLIED WARRANTIES OF MERCHANTABILITY AND FITNESS FOR A PARTICULAR PURPOSE.**

**CKB HEREBY DISCLAIMS ALL WARRANTIES, EXPRESS OR IMPLIED, FOR PRODUCTS USED OUTSIDE OF THE UNITED STATES OR CANADA, INCLUDING THE IMPLIED WARRANTIES OF MERCHANTABILITY AND FITNESS FOR A PARTICULAR PURPOSE.**

## **WARRANTY SERVICE**

To obtain warranty and replacement parts, please send e-mail with the required information, CKB will determine whether to repair or replace your product, issue a refund or issue a credit.

To file a warranty claim the following information is required:

- Contactor information including name, address and telephone number
- Product model number, finish
- States description of problem (please note that additional information such as photos may be required to fully process your warranty claim)
- Purchase date and from where the product was purchased
- Proof of purchase (sales receipt, invoice, etc.)
- PO, Invoice or original purchaser name

**Email:** [support@ckbworld.com](mailto:support@ckbworld.com)

**Website:** [www.ckbworld.com](http://www.ckbworld.com)