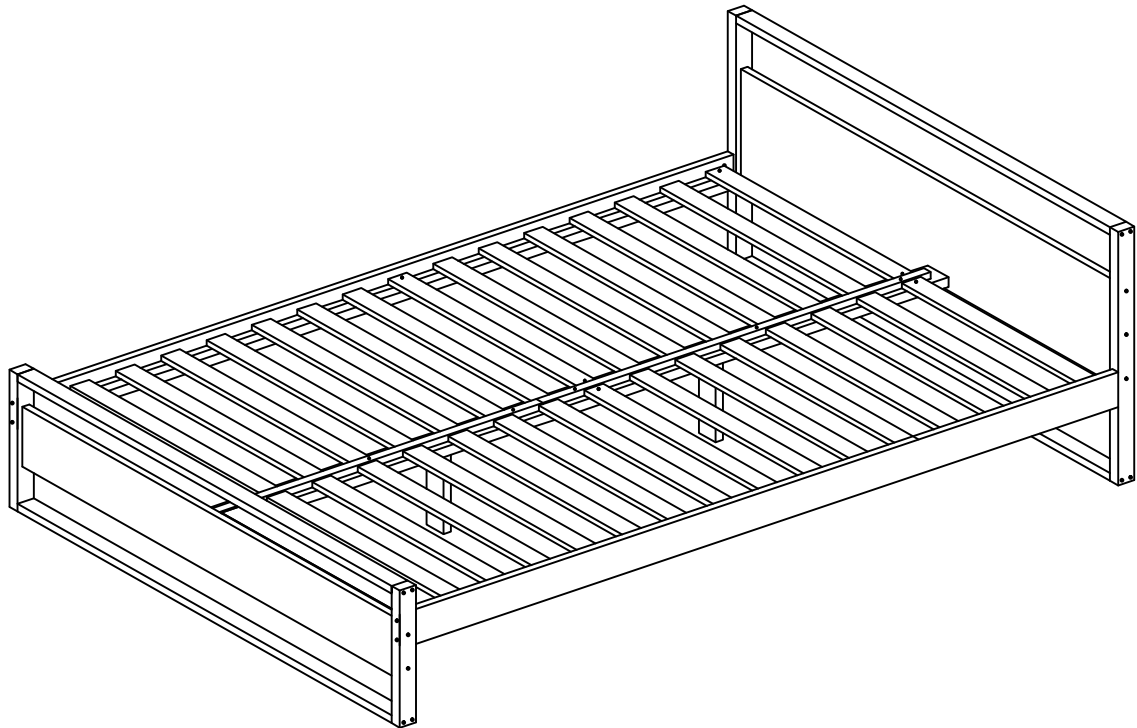



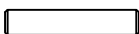

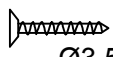
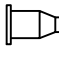
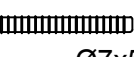
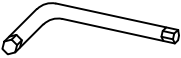






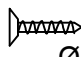
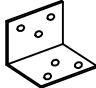


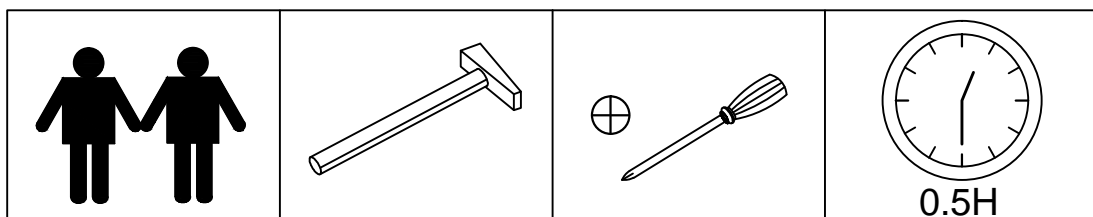
# Assembly instruction

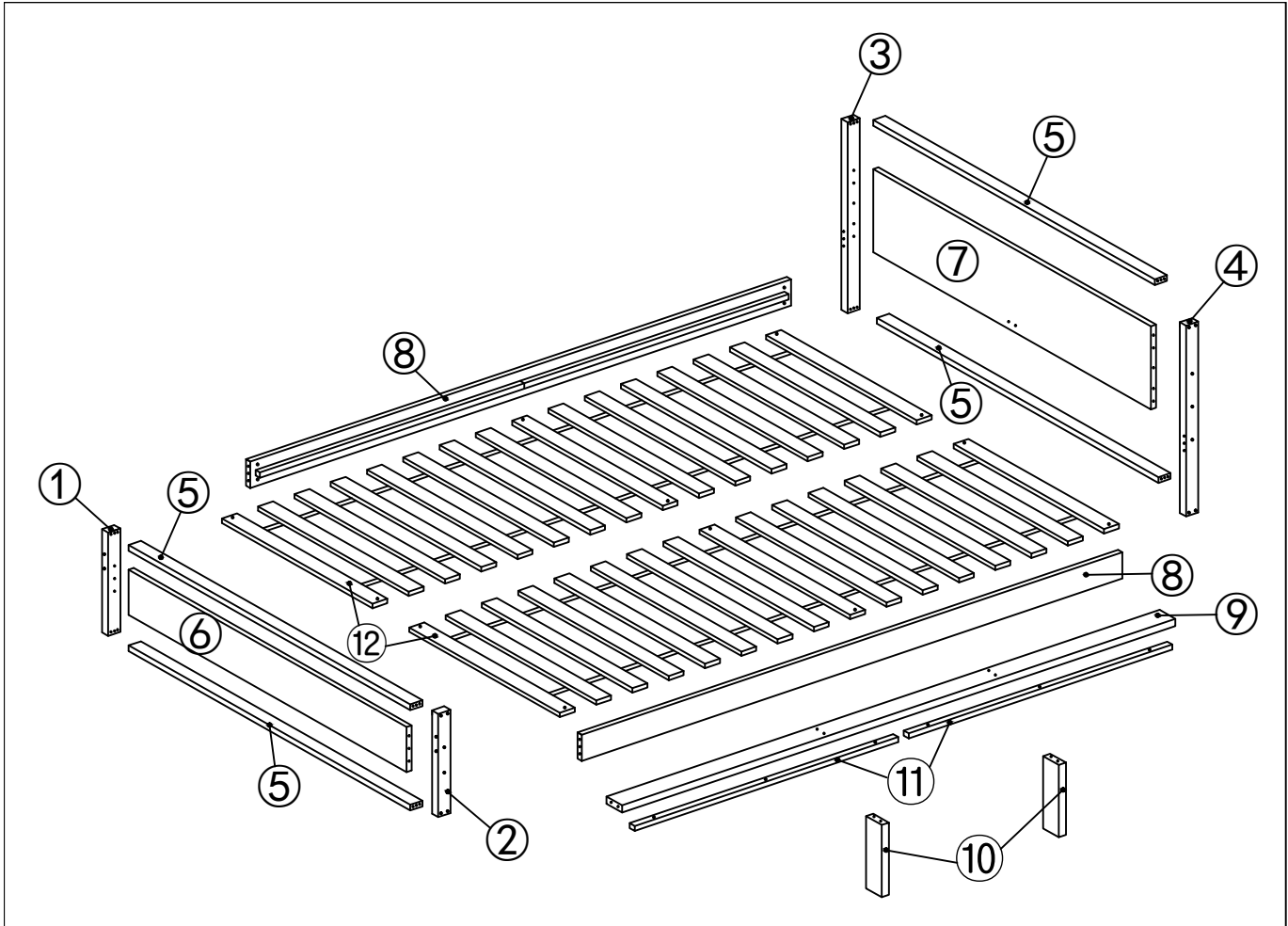


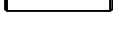
## HARDWARE

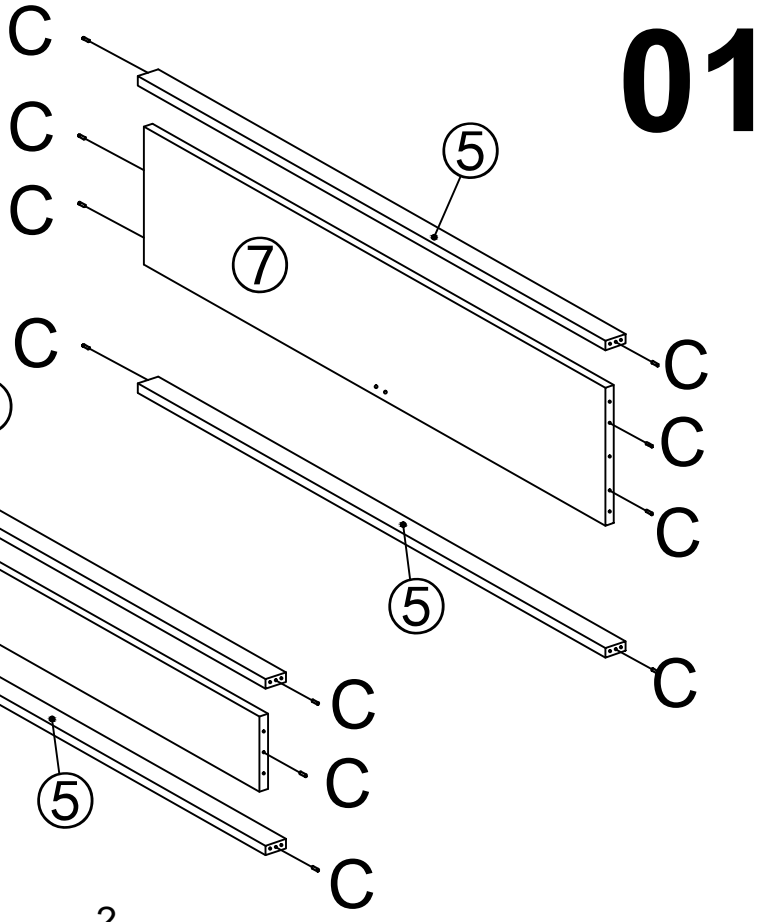
A	  M6X70mm	26
B		34
C	 Ø8X30mm	18
D	  Ø3.5X25mm	18
E	  Ø7x50mm	06
F		01

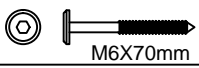
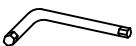

G	  M6X110mm	08
H	  Hole sticks	34
I		04
J	  Ø3.5X16mm	06
K		01



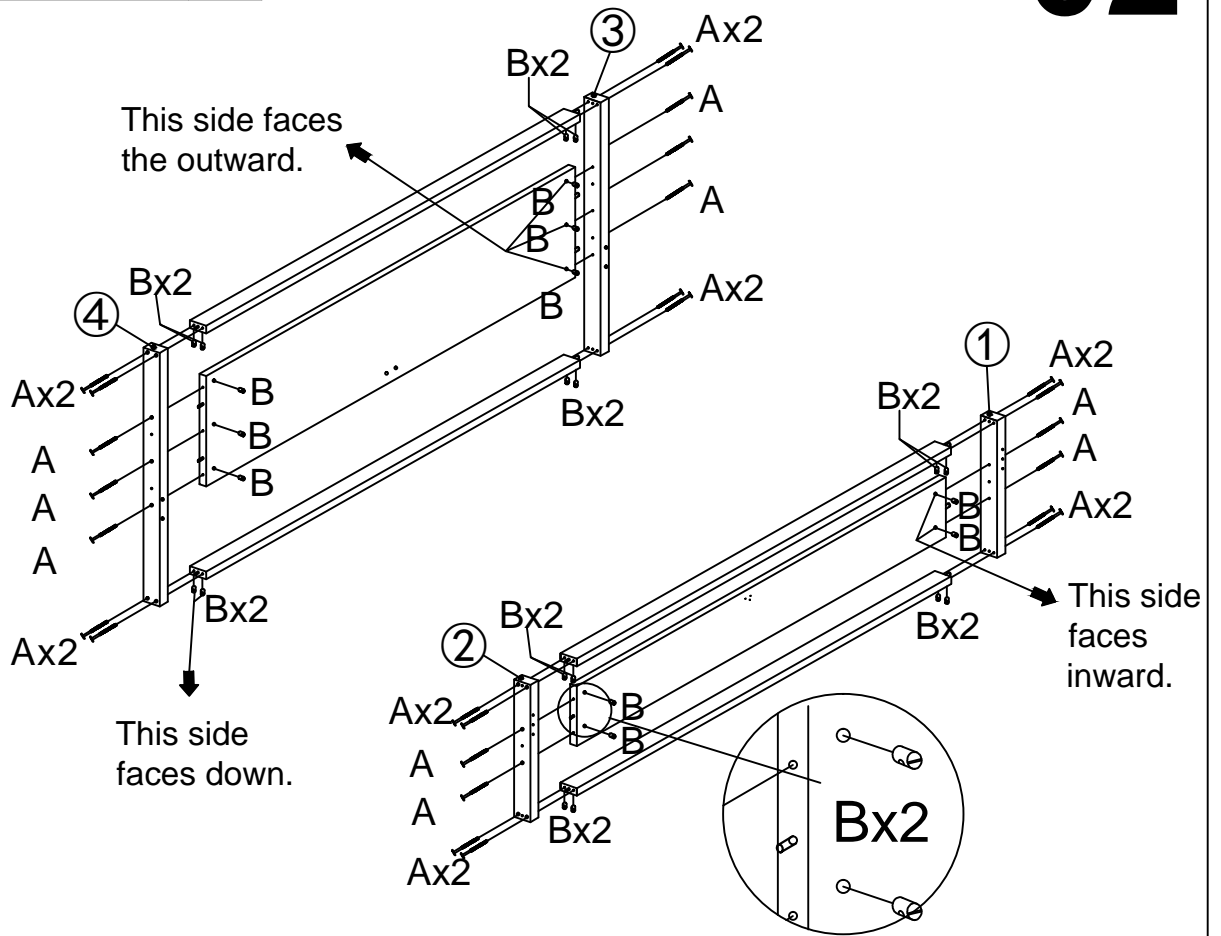


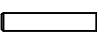
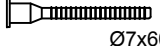
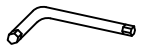
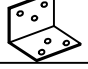
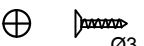
C	 Ø8X30mm	14
---	---	----



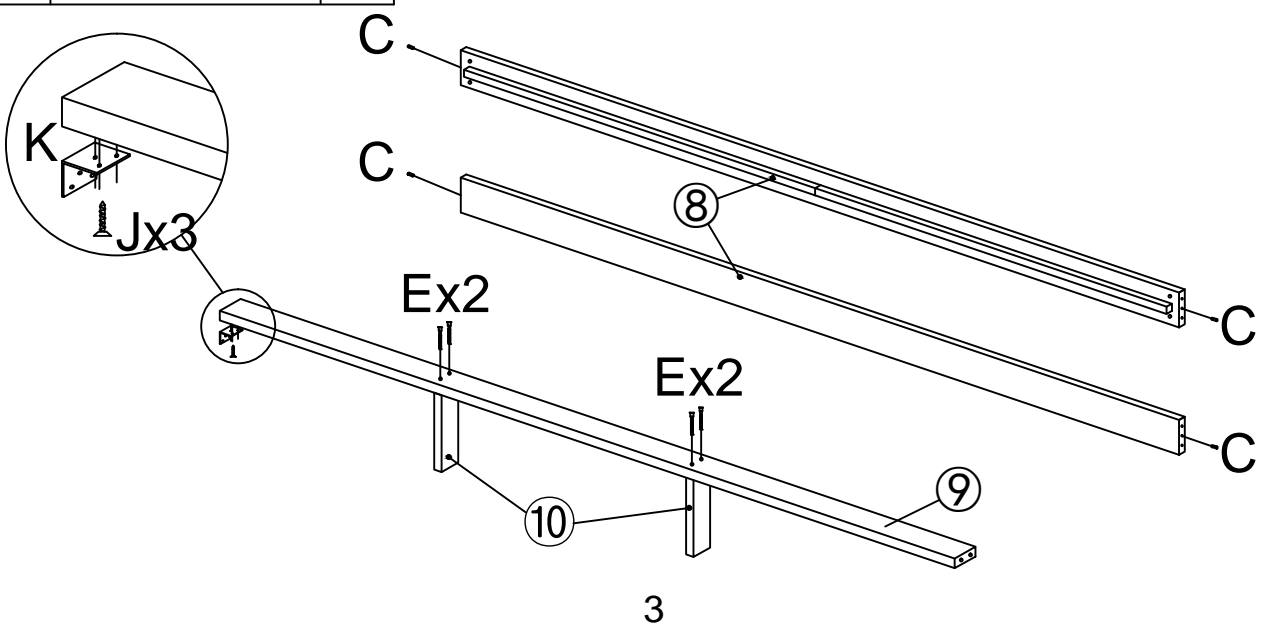
A	 M6X70mm	26	F		01
B		26			




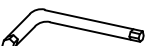

# 02



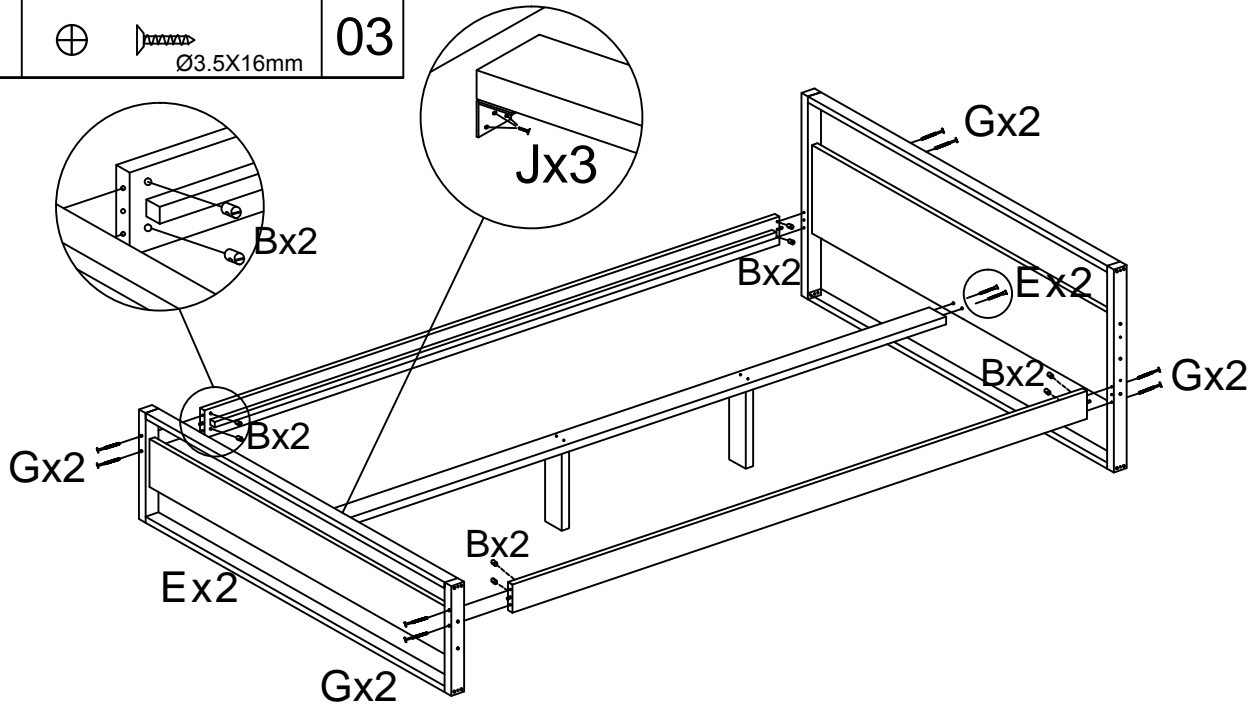
C	 Ø8X30mm	04	E	 Ø7x60mm	04
F		01	K		01
J	 Ø3.5X16mm	03			




# 03



G	 M6X105mm	08	E	 Ø7x50mm	02
B		08	F		01
J	 Ø3.5X16mm	03			

# 04



D	 Ø3.5X30mm	18	H	 Hole sticks	34
I		04			

# 05

Cover all the holes with hole sticks.

