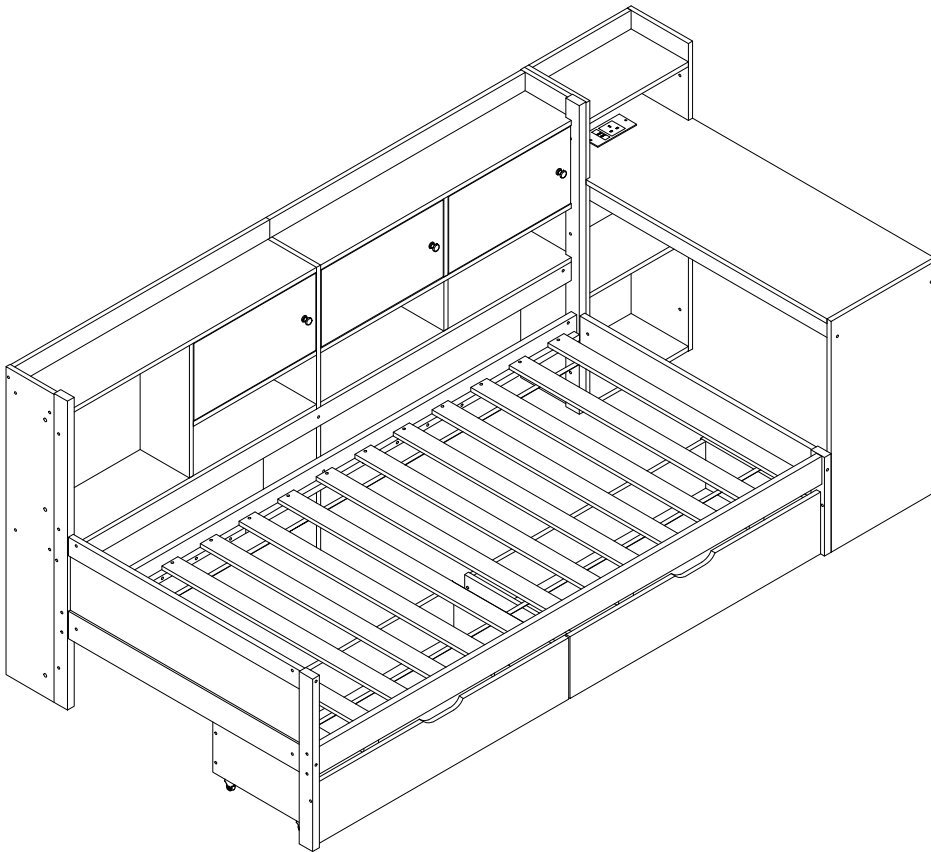
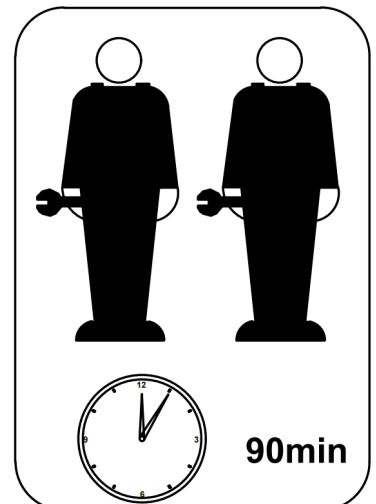
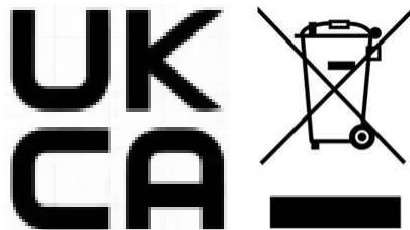


# ASSEMBLY INSTRUCTIONS



This set comes in 3 boxes. If you do not receive a full 3 boxes, please contact our customer service.



# INSTRUCTIONS

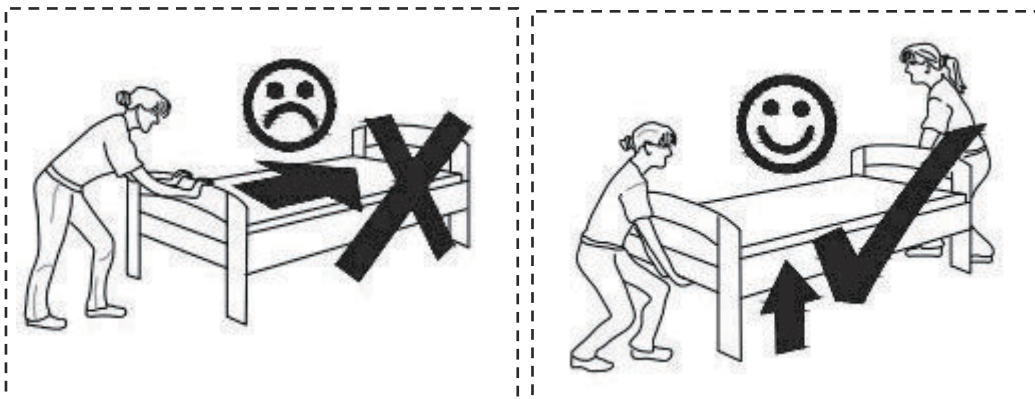
## IMPORTANT-READ CAREFULLY-RETAIN FOR FUTURE REFERENCE

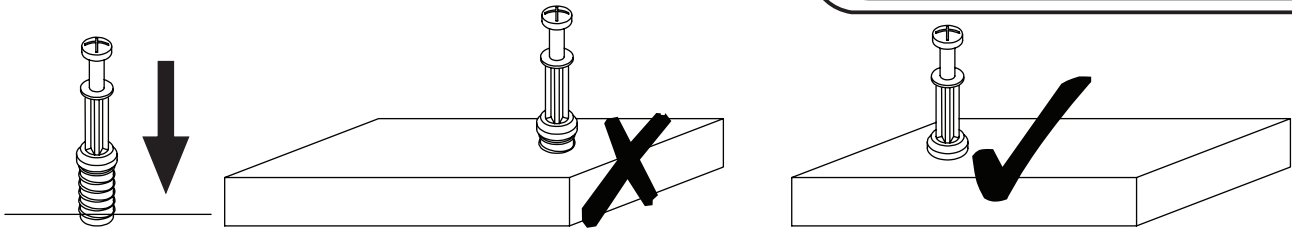
- a) **WARNING** -Children can become trapped between the bed and the wall, the adjoining pieces of furniture (e.g. cupboards) and the like. To avoid risk of serious injury the distance between the safety barrier and the adjoining structure shall not exceed 90 mm or shall be more than 230 mm.
- b) **WARNING**-Do not use the bed if any structural part is broken or missing; Replacement parts are between requested from the manufacturer or the store.
- c) **WARNING**-Do not climb or wiggle on any non-designated structures.
- d) it is imperative to always follow the installation instructions and manufacturer's use.
- e) The recommended size of the mattress to be used with the bed is 190cmx90cm.
- f) It is necessary to ventilate the room in order to maintain a low level moisture and prevent mold growth in the bed and its periphery.
- g) Joining devices should always be tightened properly and regularly verified. Tighten if necessary.

English

IMPORTANT ! KEEP FOR FUTURE REFERENCE : READ CAREFULLY

- To be assembled by an adult. Assembly must be checked by an adult before use
- **WARNING !** Keep all screws, small parts and plastic bags out of the reach of children
- Properly identify all parts before assembling
- Never use your item if any of its parts are broken or missing
- Should any problems arise, please contact our After Sales Service
- Manufacturer's instructions shall be followed at all times
- Care: Clean with a soft, dry cloth. In case of larger stains, carefully rub with a slightly damp, non-abrasive sponge
- Avoid the risk of fire by not placing furniture near sources of ignition or hot items
- Do not jump on the bed





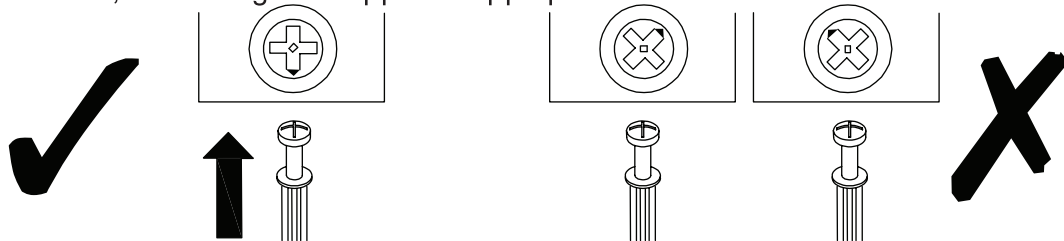
**EN\_QUICKFIT:** Tighten quickfit until shoulder is flush with panel. Do not overtighten or undertighten.

**FR\_RACCORD RAPIDE:** Faites serrer le raccord rapide jusqu'à ce que l'épaulement soit parfaitement encastré dans le panneau. Il ne faut ni trop serrer ni insuffisamment serrer.

**ES\_QUICKFIT:** Apriete quickfit hasta que el hombro se descargue con el panel. NO lo sobreapriete ni lo apriete poco.

**DE\_QUICKFIT:** Ziehen Sie den Quickfit fest, bis die Schulter mit der Platte bündig ist. Bitte nicht zu fest oder zu schwach anziehen.

**IT\_MONTAGGIO RAPIDO:** Stringere il montaggio rapido fino a quando la spalla è a filo con il pannello, non stringere troppo o troppo poco.



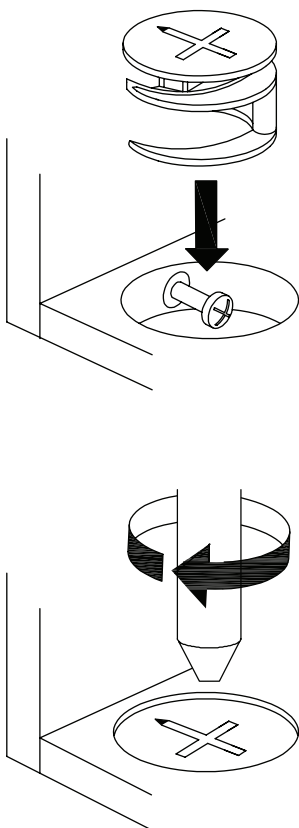
**EN\_CAM LOCK:** When fitting cam lock, ensure starting position is correct before you insert connecting quickfit.

**FR\_SERRURE BATTEUSE:** Avant d'insérer la serrure batteuse, veillez à la bonne orientation avant d'insérer le raccord rapide.

**ES\_CIERRE DE LA CÁMARA:** Cuando instale el cierre de la cámara, asegúrese de que la posición de inicio es correcta antes de que inserte el quickfit conector.

**DE\_CAM-LOCK:** Achten Sie bei der Montage des Cam-Locks auf die richtige Ausgangsposition, bevor Sie den Quickfit einsetzen.

**IT\_BLOCCAGGIO A CAMMA:** Quando si monta il bloccaggio a camma, assicurarsi che la posizione iniziale sia corretta prima di inserire il montaggio rapido di collegamento.



**EN\_Quickfit head** should be in the centre of the cam lock when the two panels are joined.

Cam lock should be inserted before quickfit.

**FR\_**Lorsque les deux panneaux sont assemblés, la tête du raccord rapide doit reposer au centre de la serrure batteuse.

Il faut insérer la serrure batteuse avant le raccord rapide.

**ES\_**El cabezal del quickfit debe estar en el centro del cierre de la cámara cuando se unan los dos paneles.

Se debe insertar el cierre de la cámara antes que el quickfit.

**DE\_**Der Quickfit-Kopf sollte sich in der Mitte des Cam-Locks befinden, wenn die beiden Platten zusammengefügt sind.

Der Cam-Lock sollte vor dem Quickfit eingesetzt werden.

**IT\_**La testa del montaggio rapido deve trovarsi al centro del bloccaggio a camma quando i due pannelli sono uniti.

Il Bloccaggio a Camma deve essere inserito prima del montaggio rapido.

**EN\_**Turn cam lock clockwise to tighten.

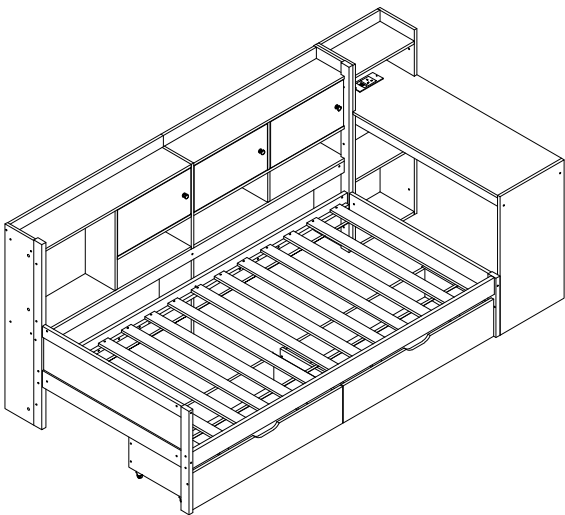
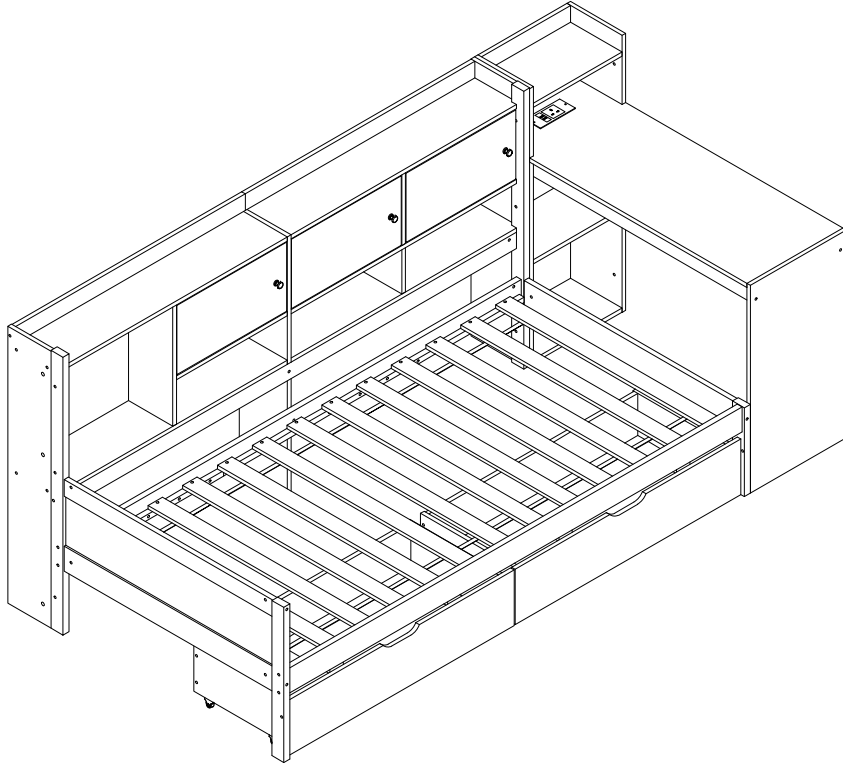
**FR\_**Faites tourner la serrure batteuse dans le sens des aiguilles d'une montre pour la resserrer.

**ES\_**Gire el cierre de la cámara en sentido horario para apretarlo.

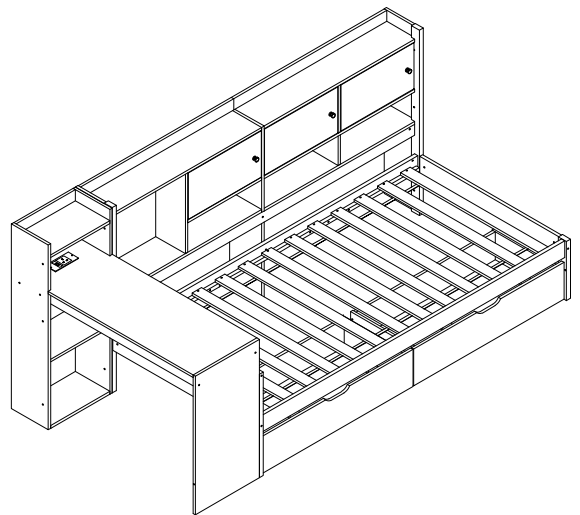
**DE\_**Drehen Sie den Cam-Lock im Uhrzeigersinn, um ihn festzuziehen.

**IT\_**Ruotare il bloccaggio a camma in senso orario per stringere.

# ASSEMBLY INSTRUCTIONS

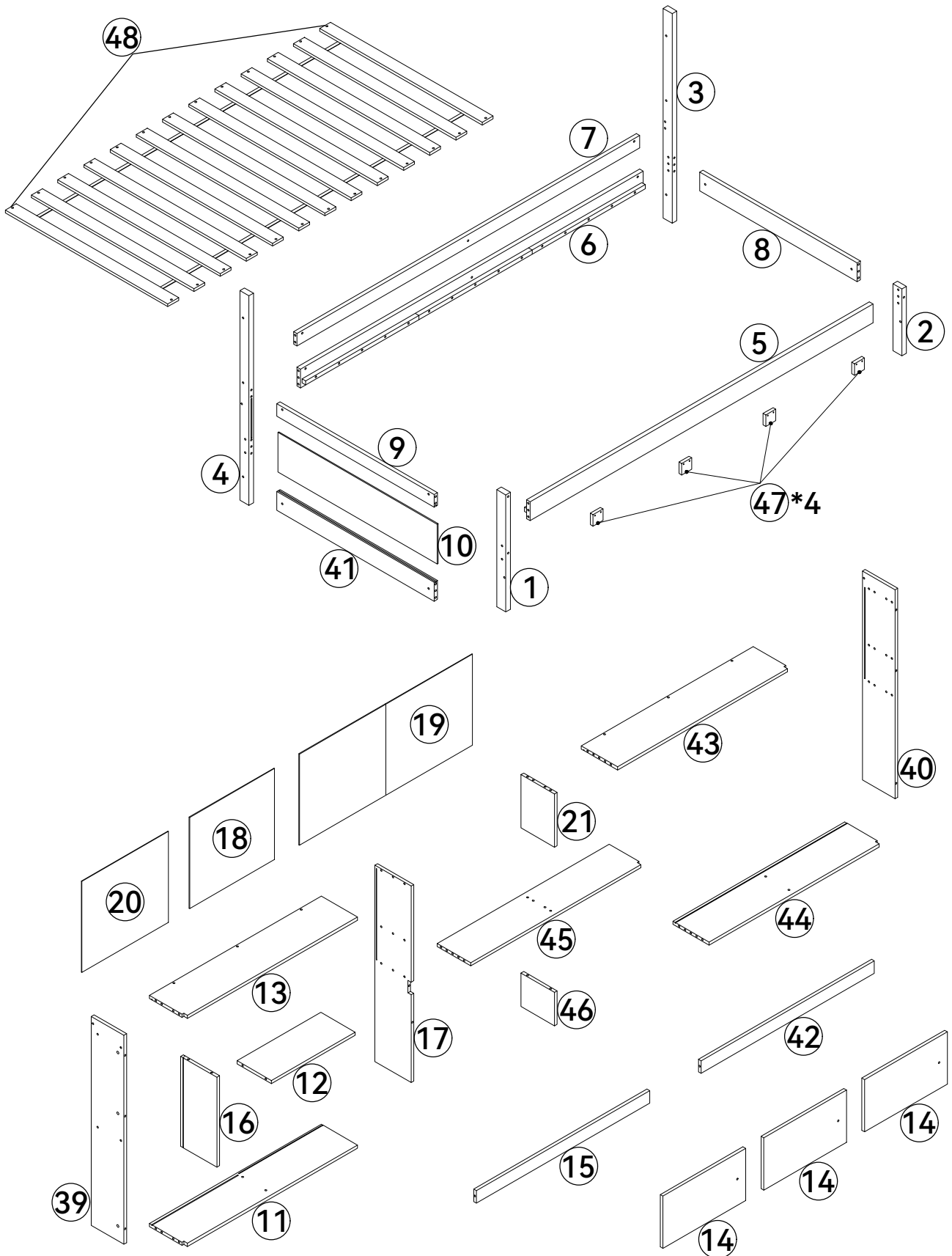


**(version1)**

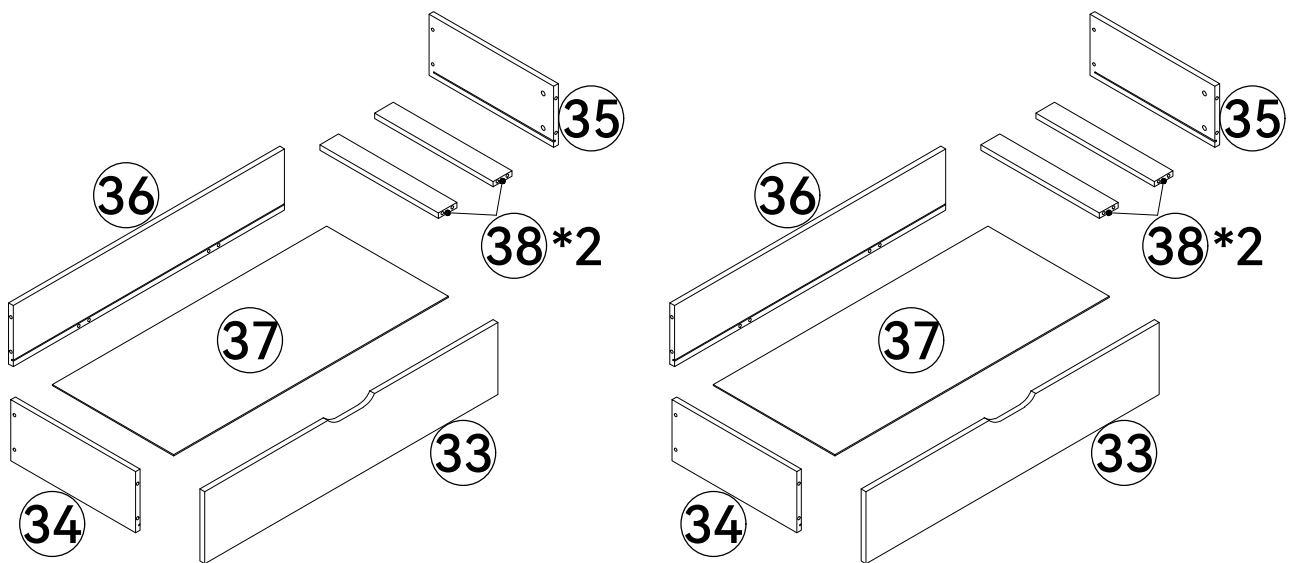
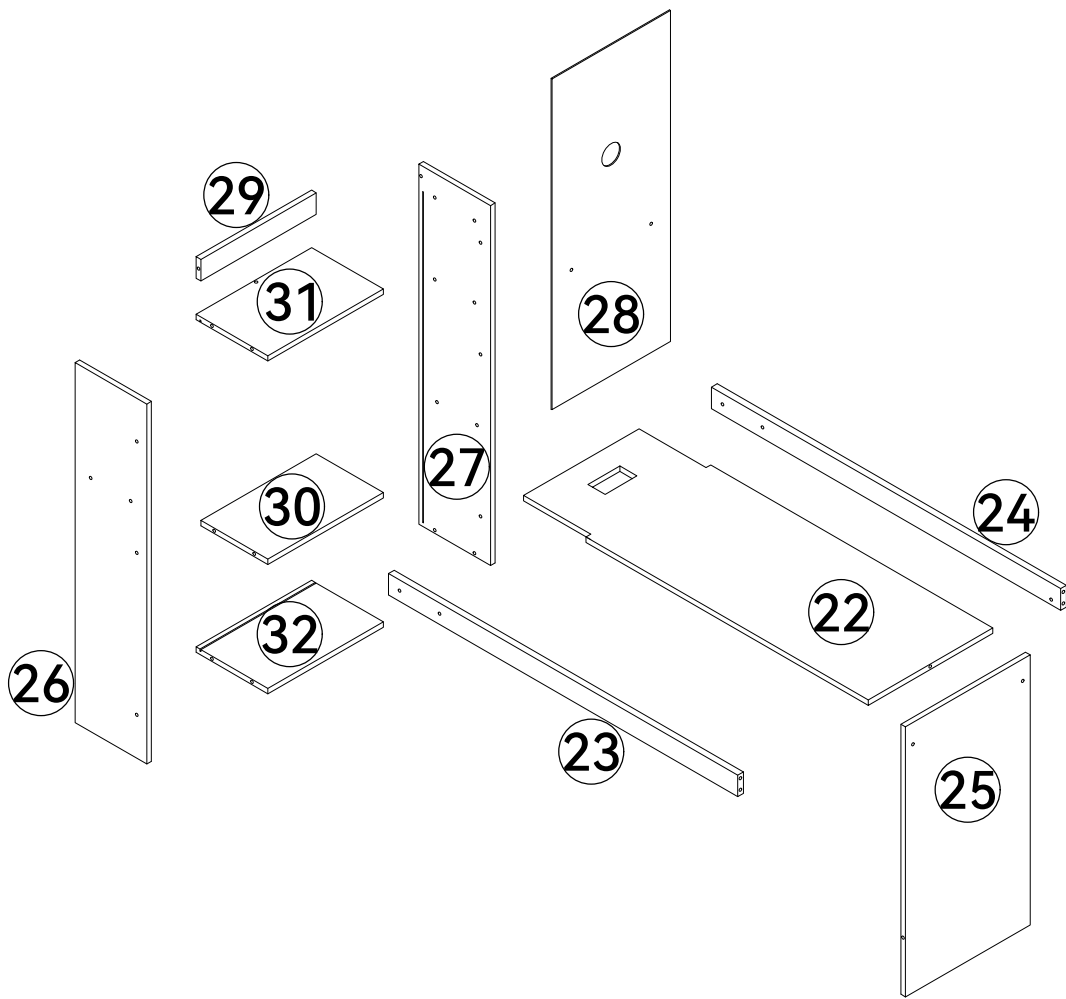


**(version2)**






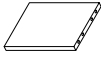
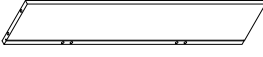


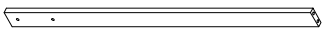
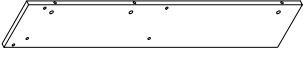

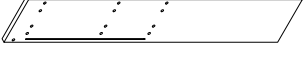



# ASSEMBLY INSTRUCTIONS




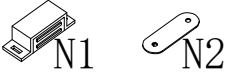

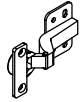



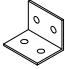
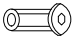





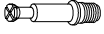





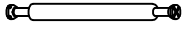
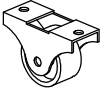

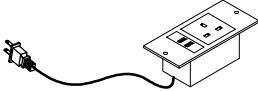

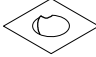
# ASSEMBLY INSTRUCTIONS



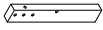
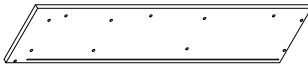
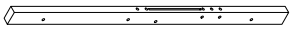
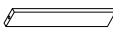


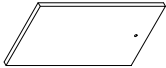
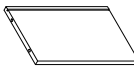
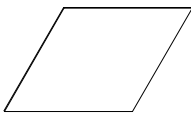


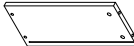
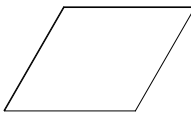
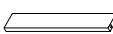



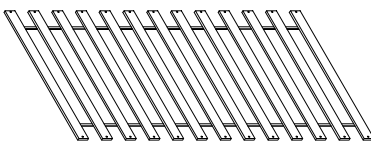

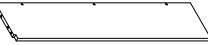
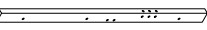

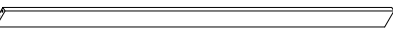
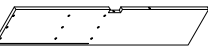

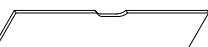
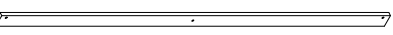
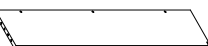
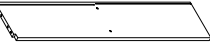
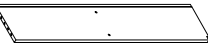


# ASSEMBLY INSTRUCTIONS

<b>8</b>		<b>1PC</b>	<b>28</b>		<b>1PC</b>
<b>9</b>		<b>1PC</b>			
<b>15</b>		<b>1PC</b>	<b>31</b>		<b>1PC</b>
<b>21</b>		<b>1PC</b>	<b>36</b>		<b>2PCS</b>
<b>22</b>		<b>1PC</b>	<b>37</b>		<b>2PCS</b>
<b>23</b>		<b>1PC</b>	<b>39</b>		<b>1PC</b>
<b>24</b>		<b>1PC</b>	<b>40</b>		<b>1PC</b>
<b>25</b>		<b>1PC</b>	<b>41</b>		<b>1PC</b>
			<b>42</b>		<b>1PC</b>

# ASSEMBLY INSTRUCTIONS

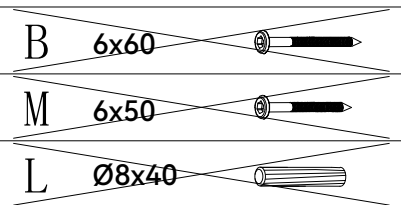
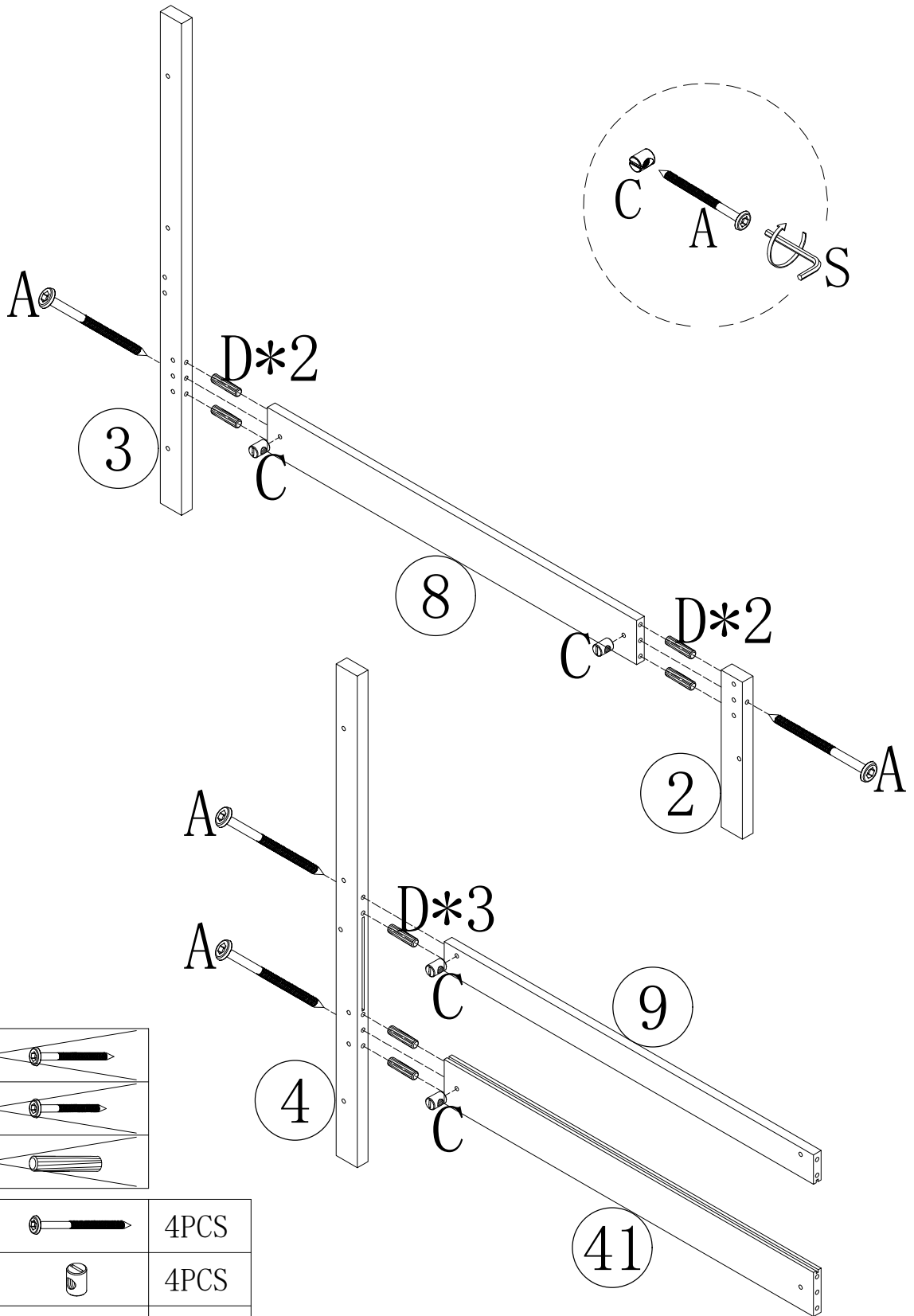
<b>A</b>	6x90		6PCS	<b>N</b>		3PCS
<b>B</b>	6x60		12PCS	<b>O</b>		6PCS
<b>C</b>			32PCS	<b>P</b>	3x14 	92PCS
<b>D</b>	Ø8x30		45PCS	<b>Q</b>		6PCS
<b>E</b>	6x20		7PCS	<b>R</b>	4x30 	34PCS
<b>F</b>	6x25		7PCS	<b>S</b>	M4 	2PCS
<b>G</b>	7x50		15PCS	<b>T</b>		2PCS
<b>H</b>			59PCS	<b>U</b>		1PC
<b>I</b>			63PCS	<b>V</b>		2PCS
<b>J</b>			3PCS	<b>W</b>		2PCS
<b>K</b>			2PCS	<b>X</b>		8PCS
<b>L</b>	Ø8x40		3PCS	<b>Y</b>		1PC
<b>M</b>	6x50		14PCS	<b>Z</b>		13PCS

# ASSEMBLY INSTRUCTIONS

<b>2</b>		1PC	<b>27</b>		1PC
<b>4</b>		1PC	<b>29</b>		1PC
<b>10</b>		1PC	<b>30</b>		1PC
<b>14</b>		3PCS	<b>32</b>		1PC
<b>18</b>		1PC	<b>34</b>		2PCS
<b>19</b>		1PC	<b>35</b>		2PCS
<b>20</b>		1PC	<b>38</b>		4PCS
<b>26</b>		1PC	<b>45</b>		1PC
			<b>46</b>		1PC
			<b>48</b>		1PC
<b>1</b>		1PC	<b>13</b>		1PC
<b>3</b>		1PC	<b>16</b>		1PC
<b>5</b>		1PC	<b>17</b>		1PC
<b>6</b>		1PC	<b>33</b>		2PCS
<b>7</b>		1PC	<b>43</b>		1PC
<b>11</b>		1PC	<b>44</b>		1PC
<b>12</b>		1PC	<b>47</b>		4PCS

# ASSEMBLY INSTRUCTIONS

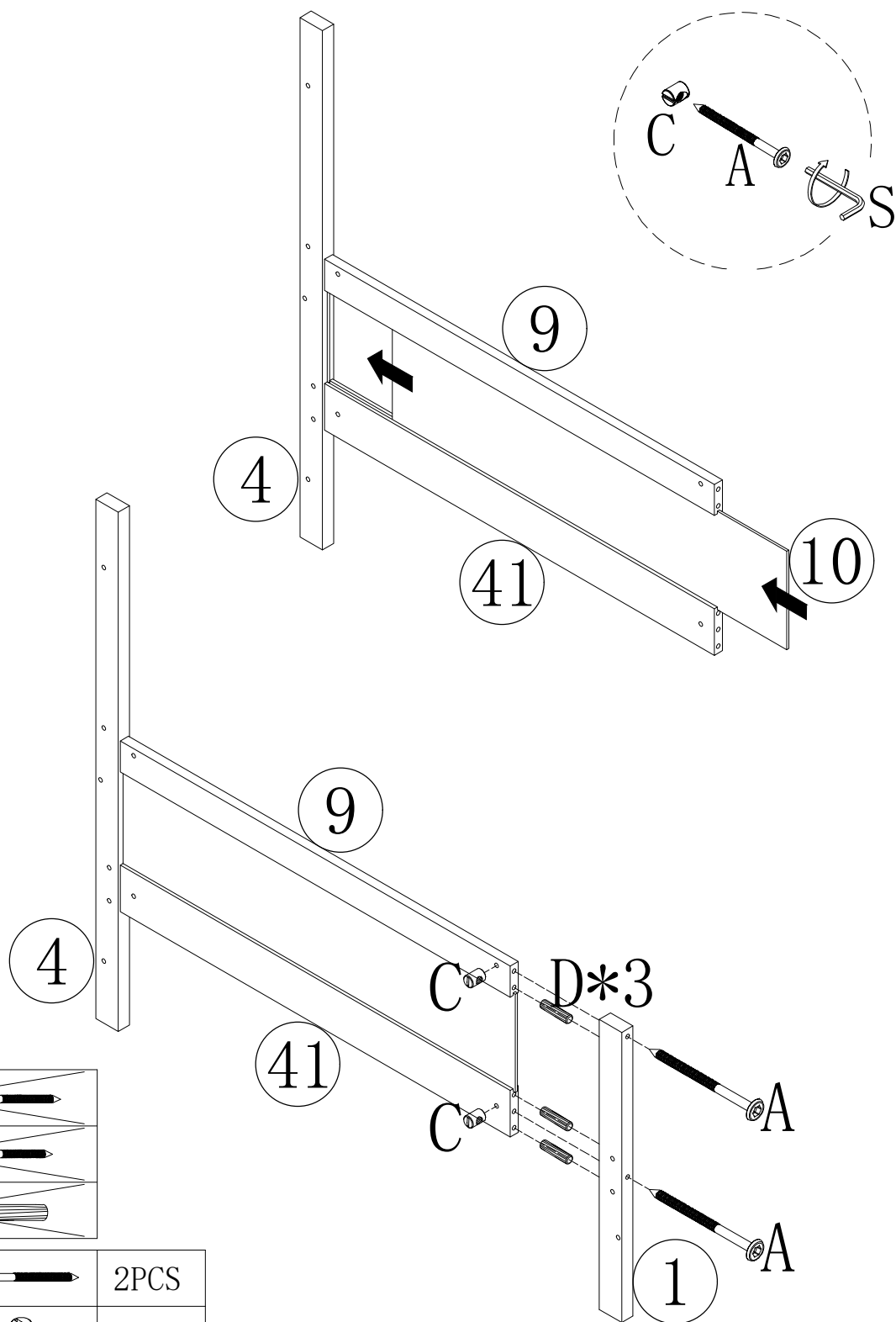
# 1



A	6x90		4PCS
C			4PCS
D	Ø8x30		7PCS
S	M4		1PC

# ASSEMBLY INSTRUCTIONS

# 2

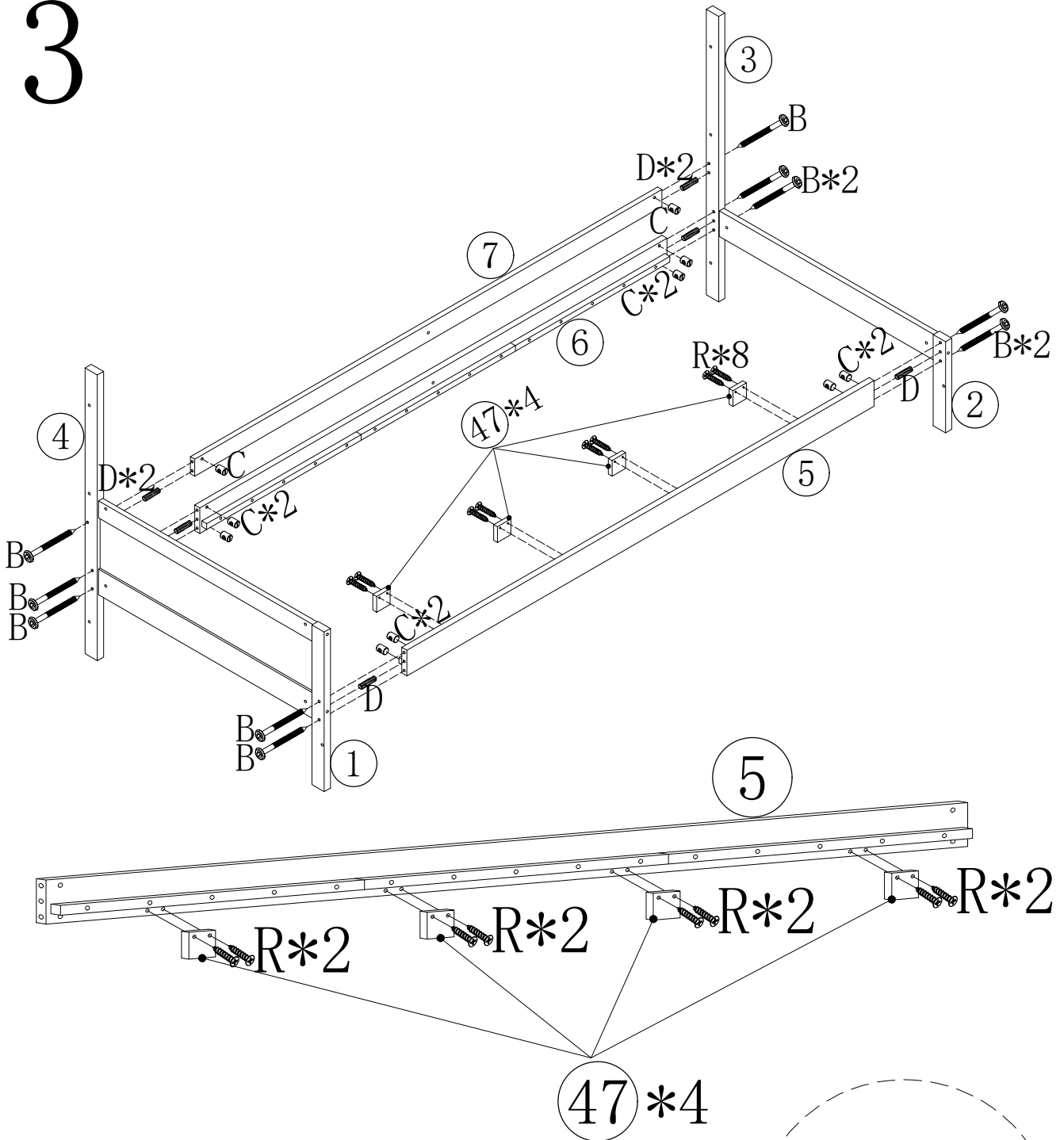


B	6x60	
M	6x50	
L	Ø8x40	

A	6x90		2PCS
C			2PCS
D	Ø8x30		3PCS
S	M4		1PC

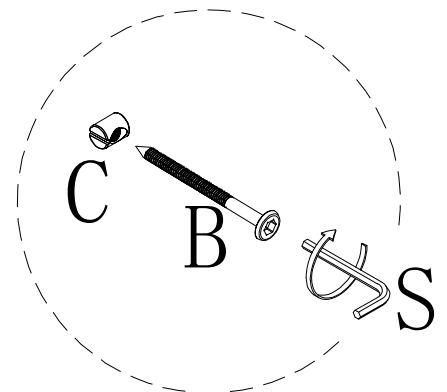
# ASSEMBLY INSTRUCTIONS

# 3



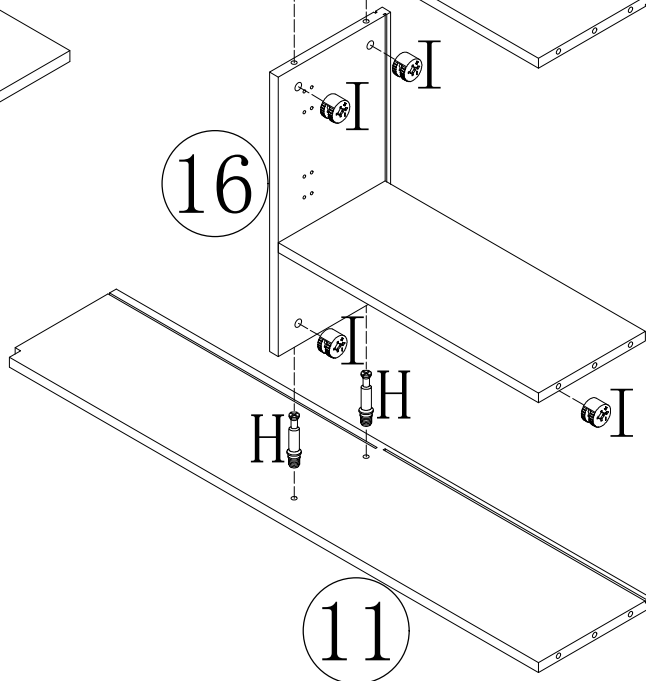
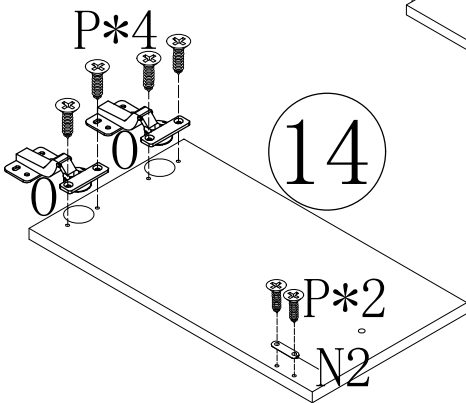
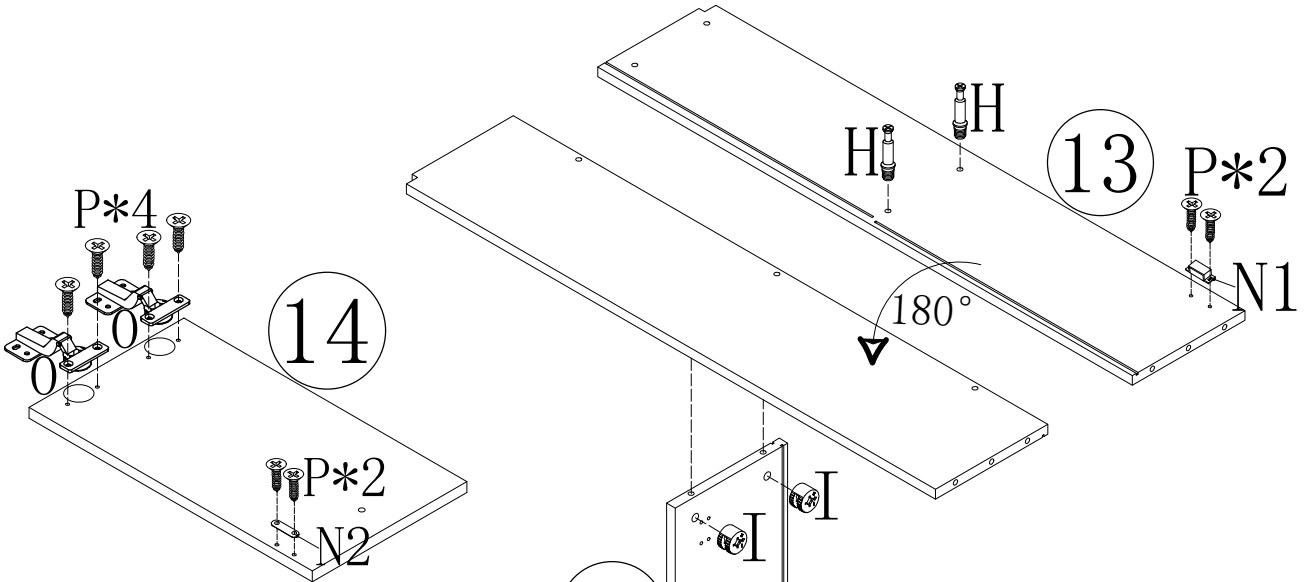
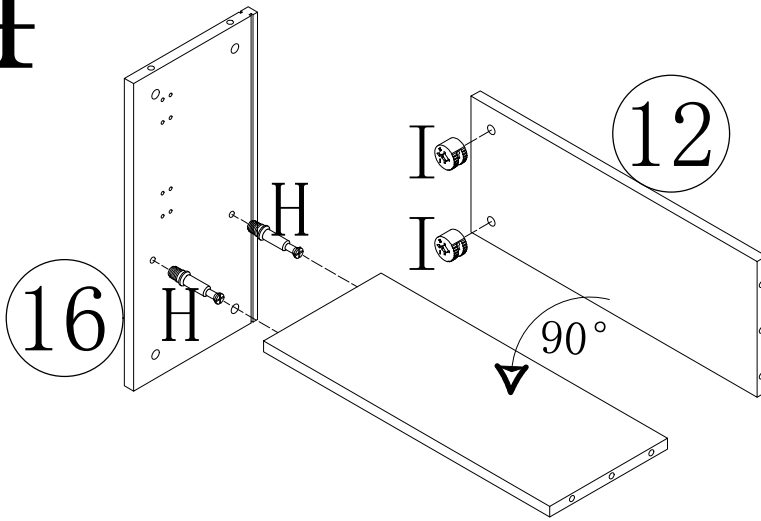
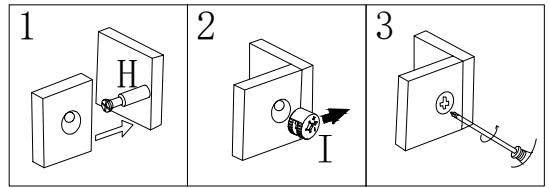
B	6x60		10PCS
C			10PCS
D	Ø8x30		6PCS
R	4x30		8PCS
S	M4		1PC

A	6x90	
M	6x50	
L	Ø8x40	



# ASSEMBLY INSTRUCTIONS

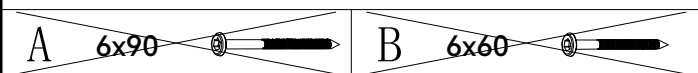
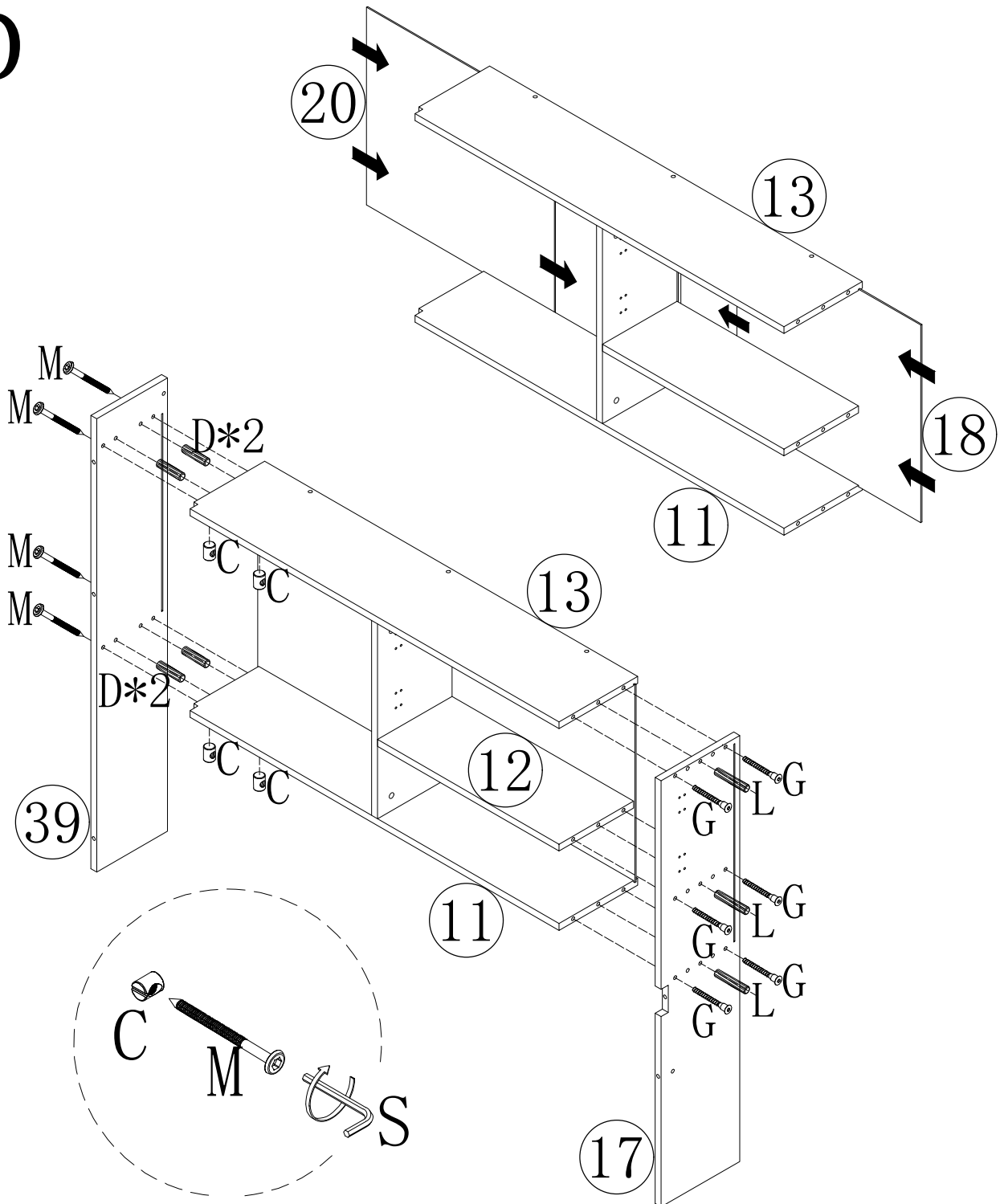
# 4



H		6PCS
I		6PCS
N	 	1PC
O		2PCS
P	3x14	8PCS

# ASSEMBLY INSTRUCTIONS

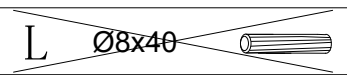
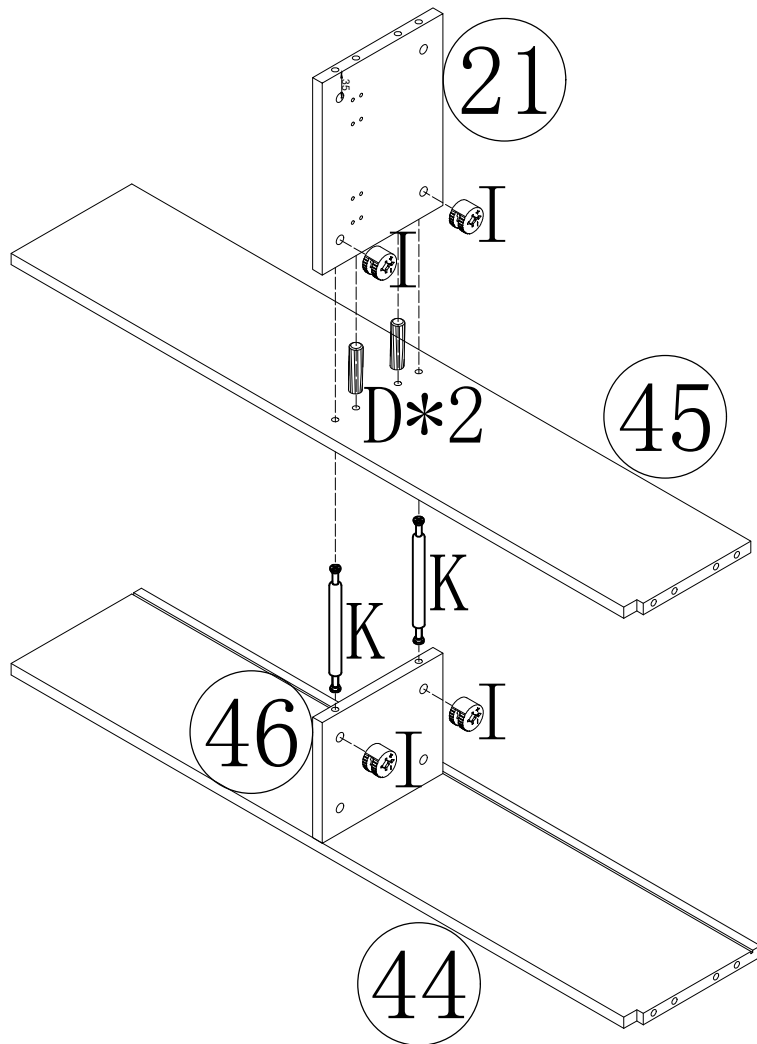
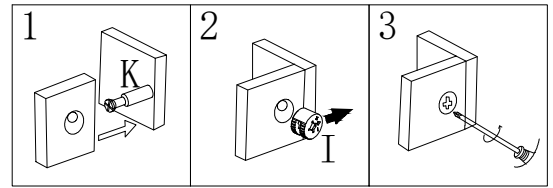
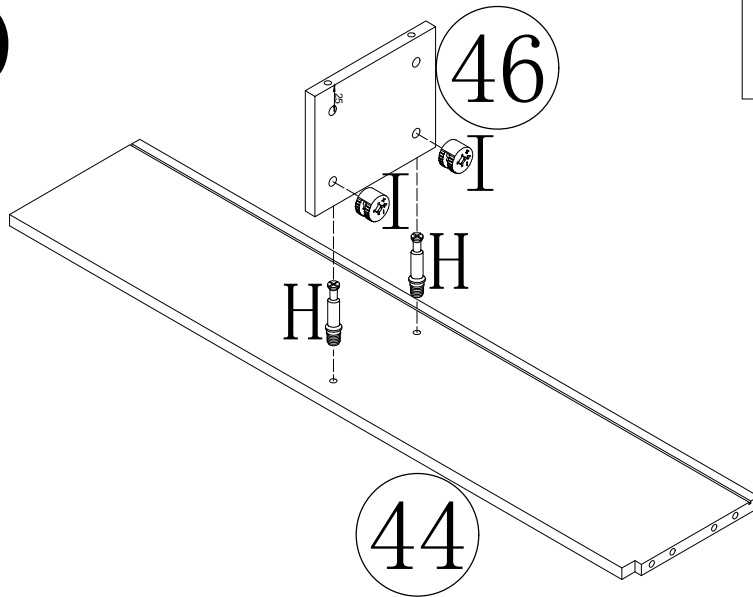
# 5


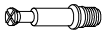

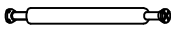


M	6x50		4PCS	C		4PCS	D	∅8x30		4PCS
G	7x50		6PCS	L	∅8x40		S	M4		1PC

# ASSEMBLY INSTRUCTIONS

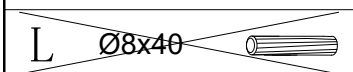
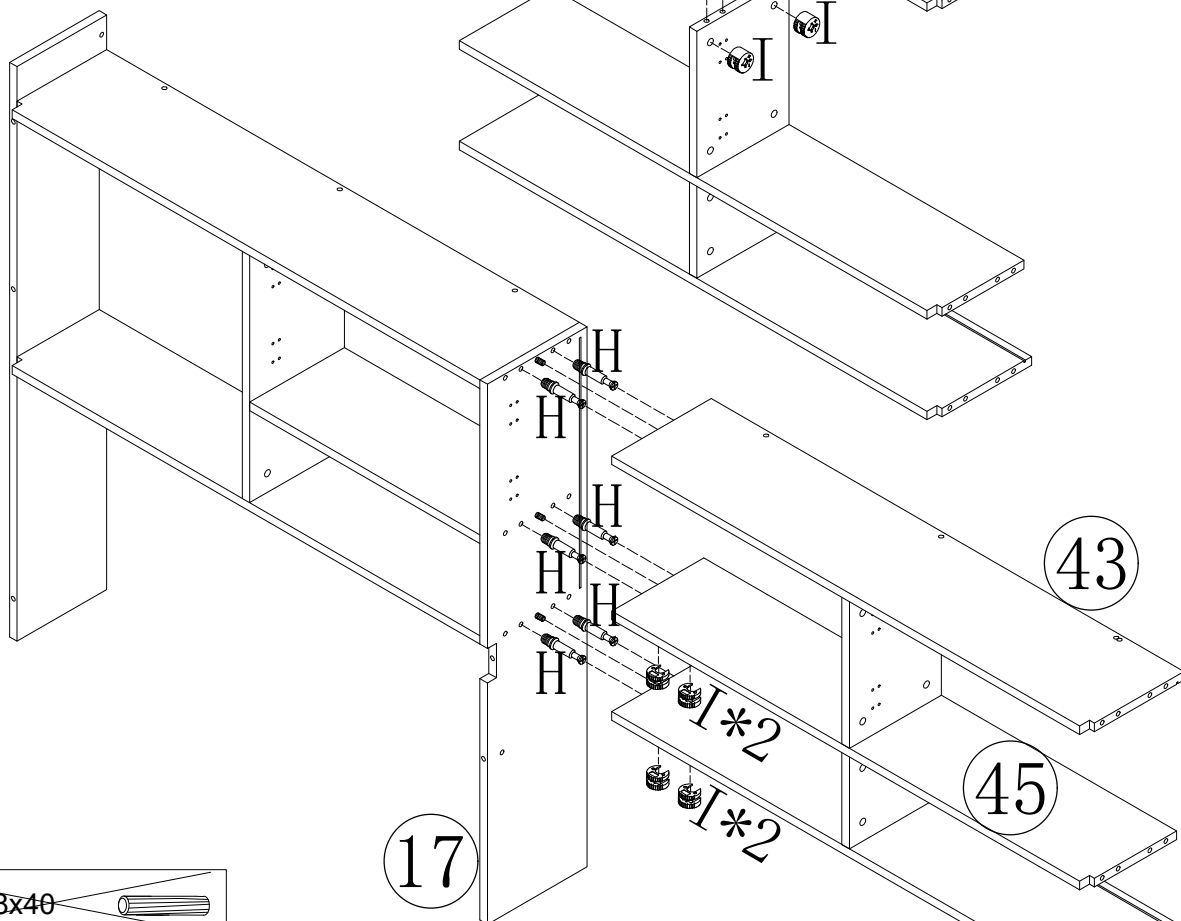
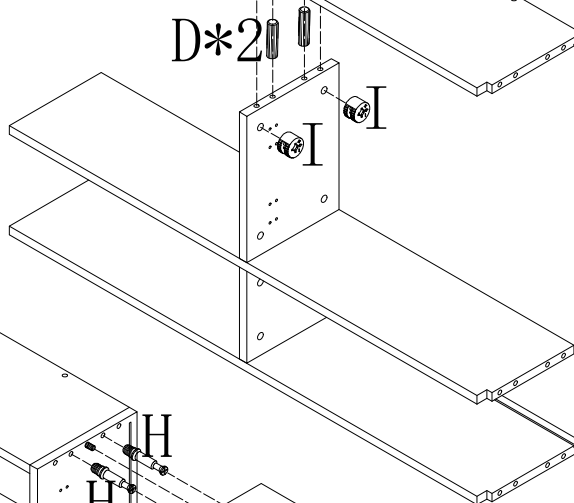
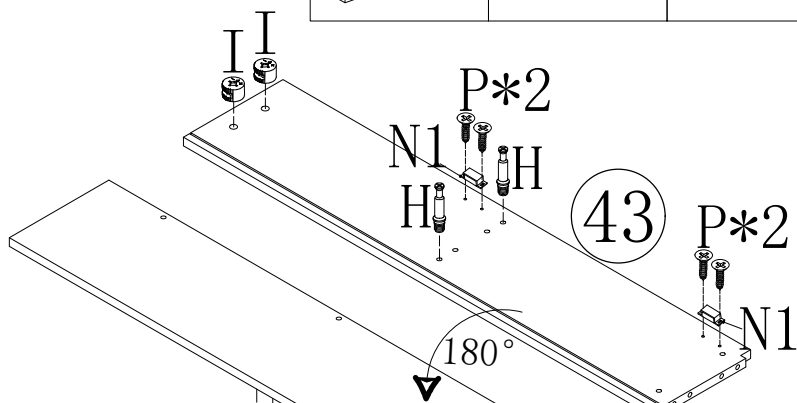
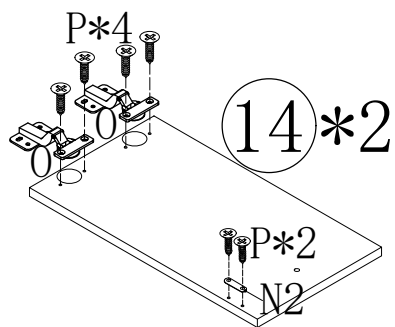
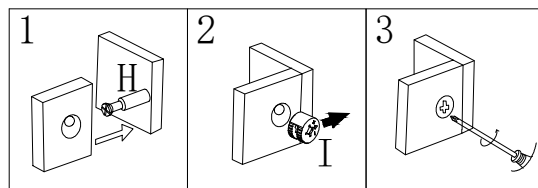
# 6



D	Ø8x30		2PCS
H			2PCS
I			6PCS
K			2PCS

# ASSEMBLY INSTRUCTIONS

# 7

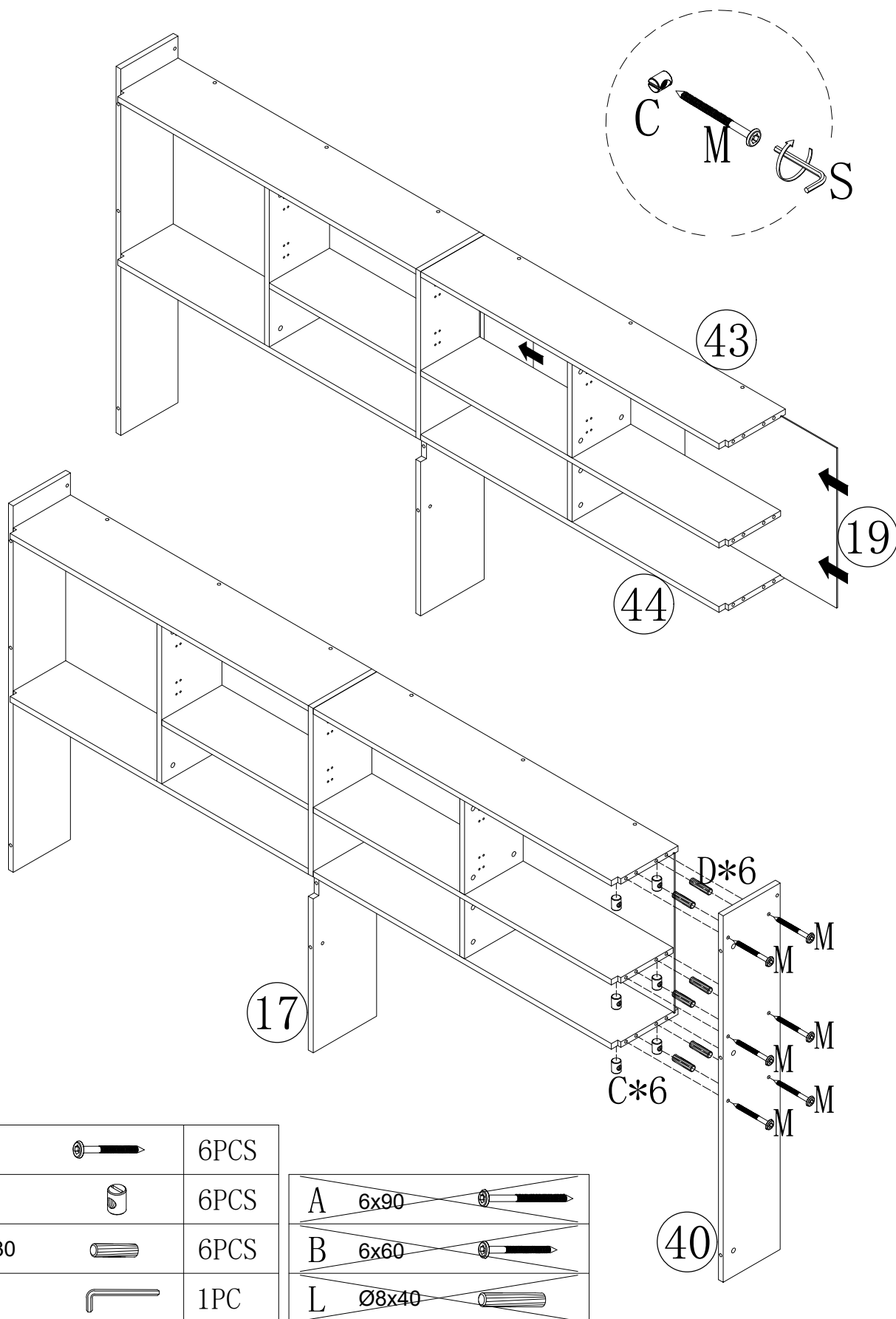


D	Ø8x30		2PCS	N	 	2PCS
H			8PCS	O		4PCS
I			8PCS	P	3x14 	16PCS

44

# ASSEMBLY INSTRUCTIONS

# 8

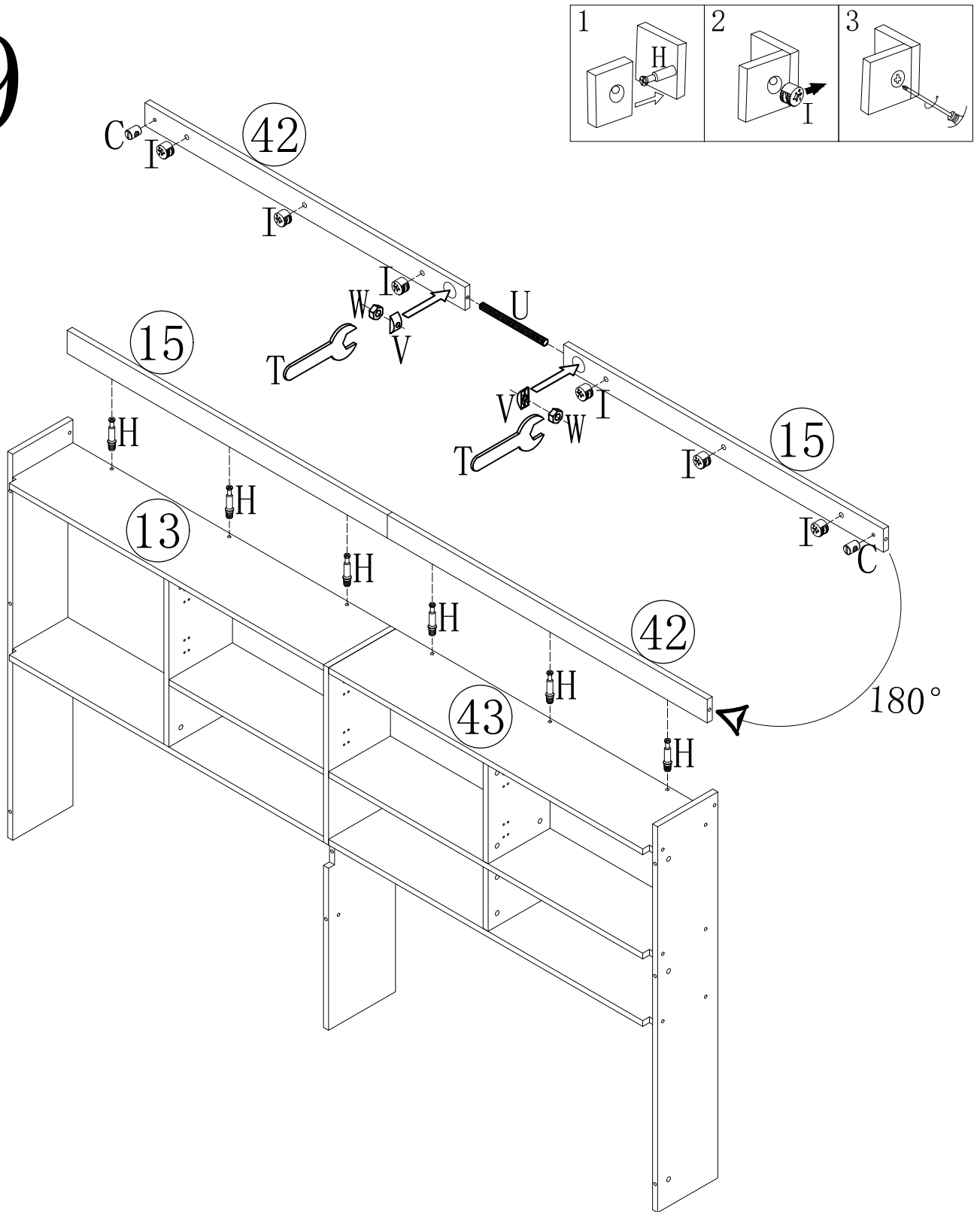



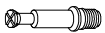





M	6x50		6PCS
C			6PCS
D	Ø8x30		6PCS
S	M4		1PC

A	6x90	
B	6x60	
L	Ø8x40	

# ASSEMBLY INSTRUCTIONS

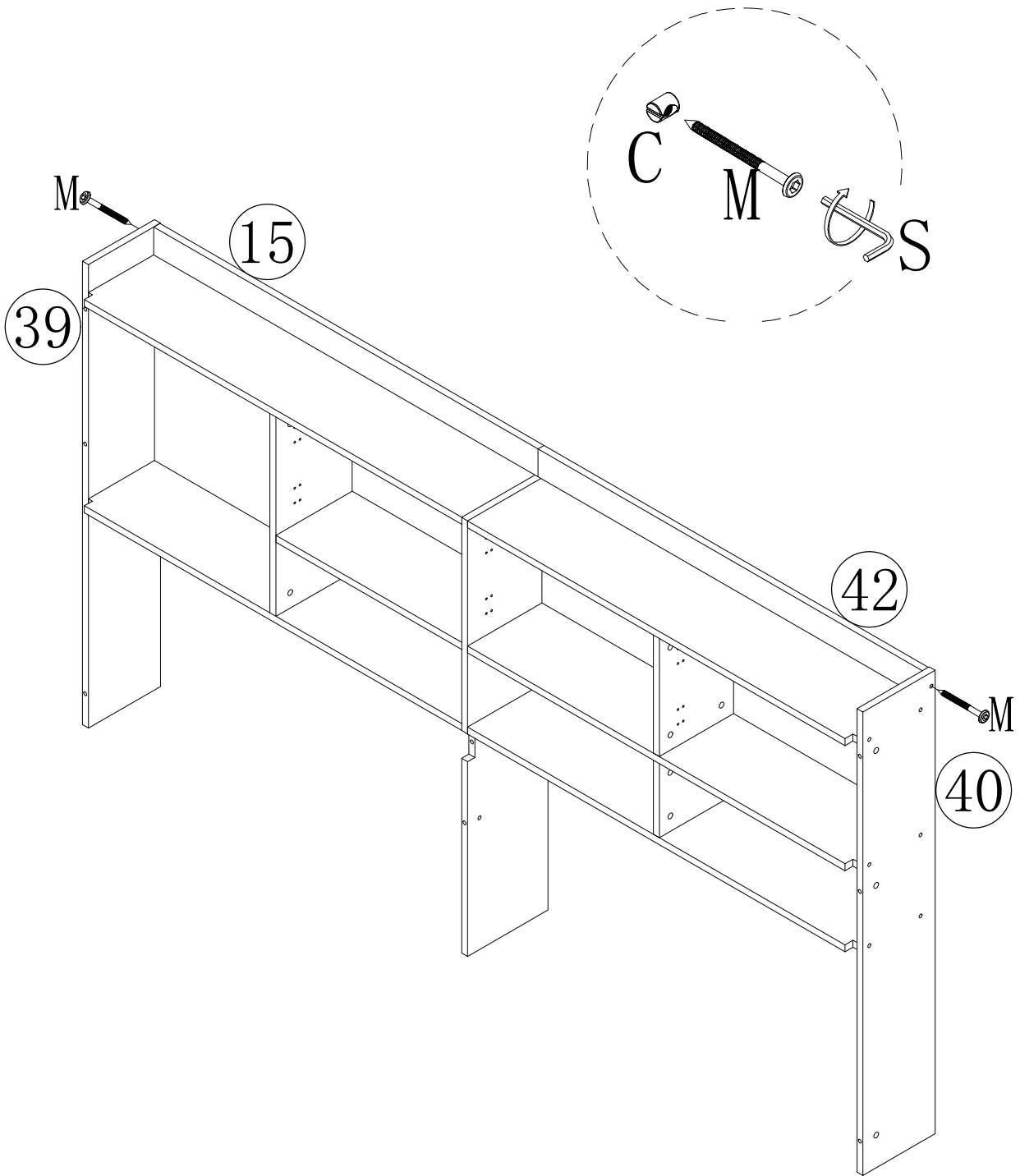
# 9


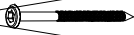


C		2PCS						
H		6PCS	I		6PCS	T		2PCS
U		1PC	V		2PCS	W		2PCS

# ASSEMBLY INSTRUCTIONS

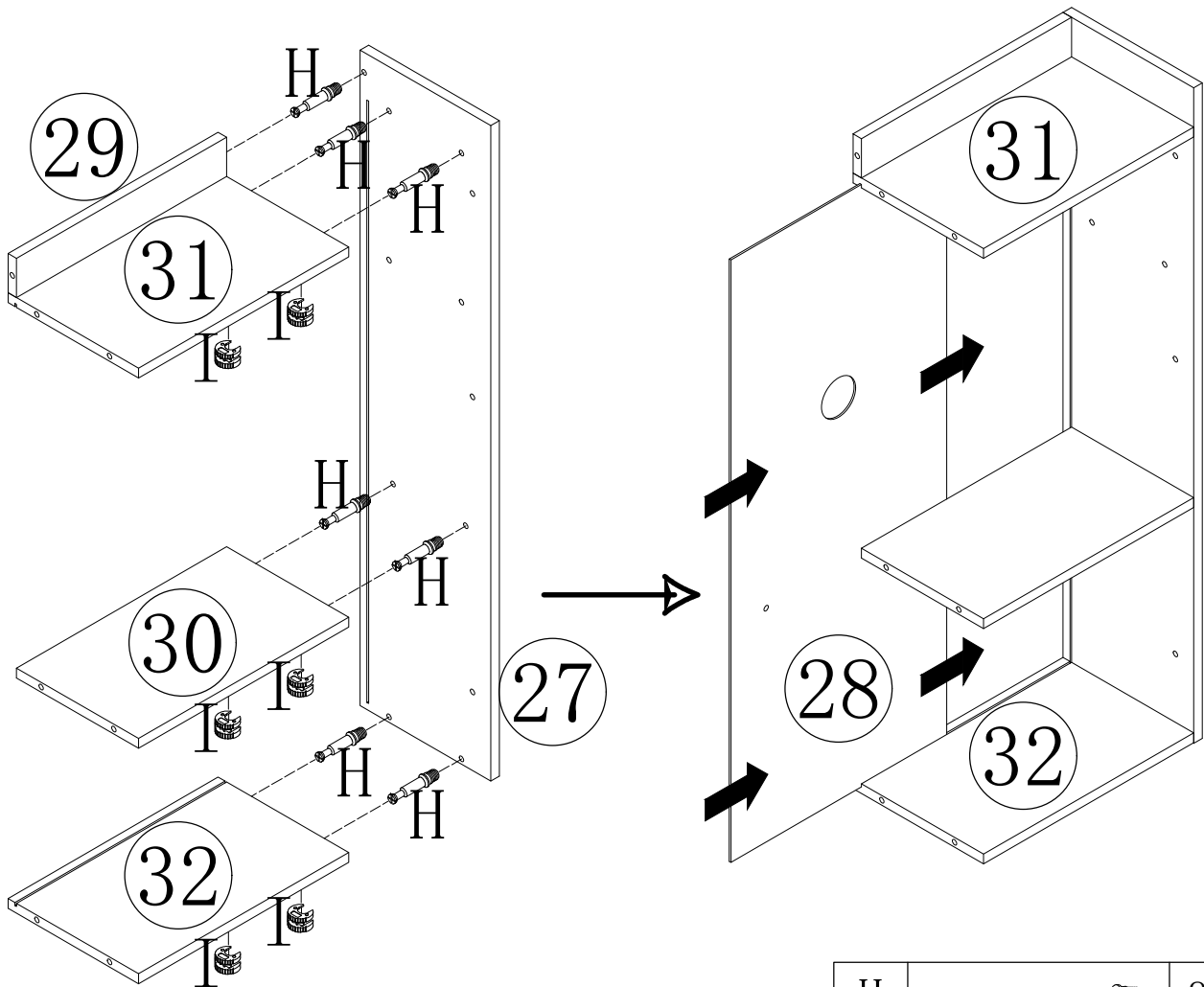
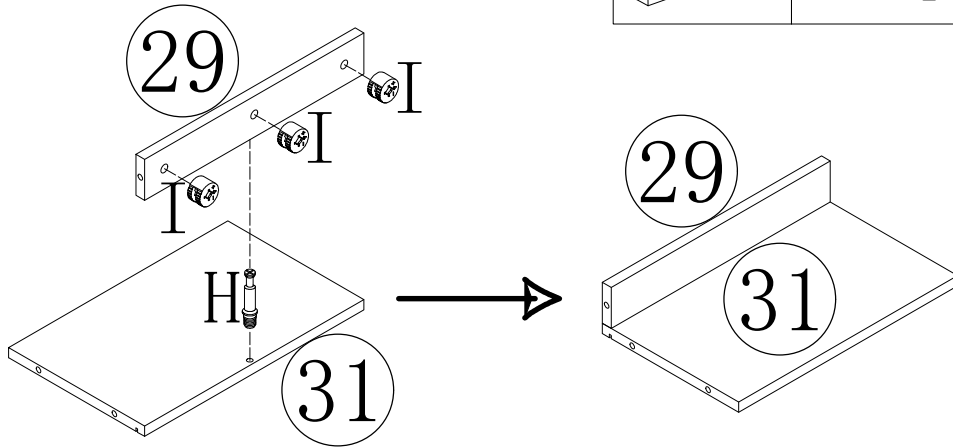
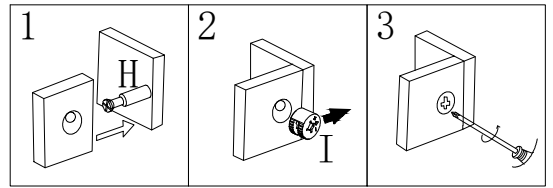
# 10

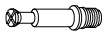



M	6x50		2PCS	A	6x90		B	6x60	
---	------	---	------	---	------	--	---	------	---

# ASSEMBLY INSTRUCTIONS

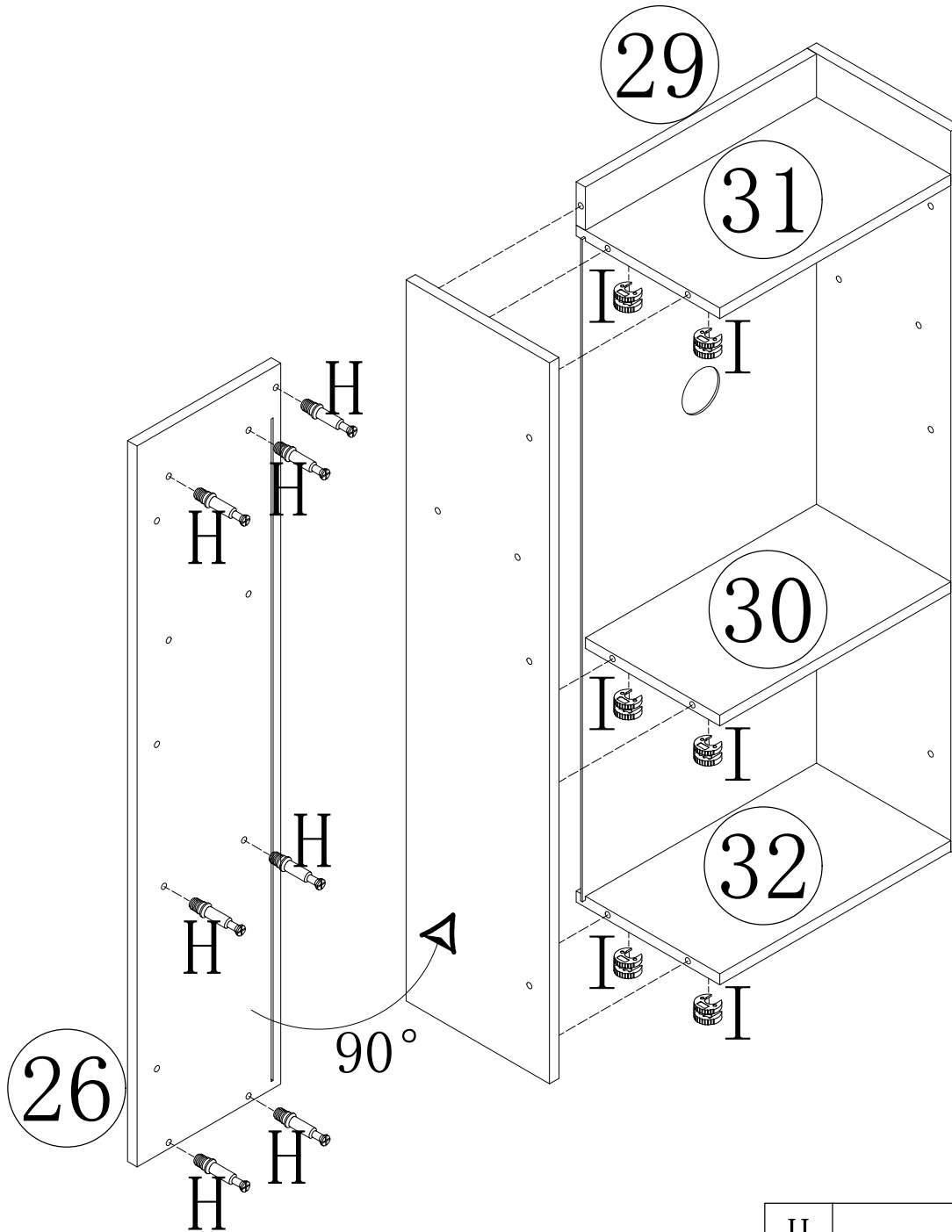
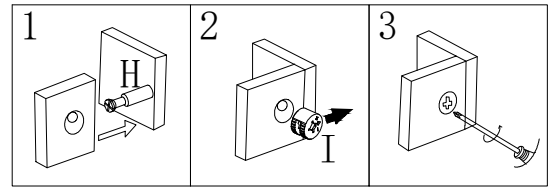
# 11

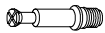



H		8PCS
I		9PCS

# ASSEMBLY INSTRUCTIONS

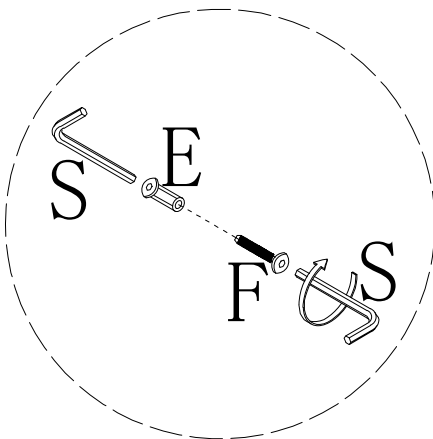
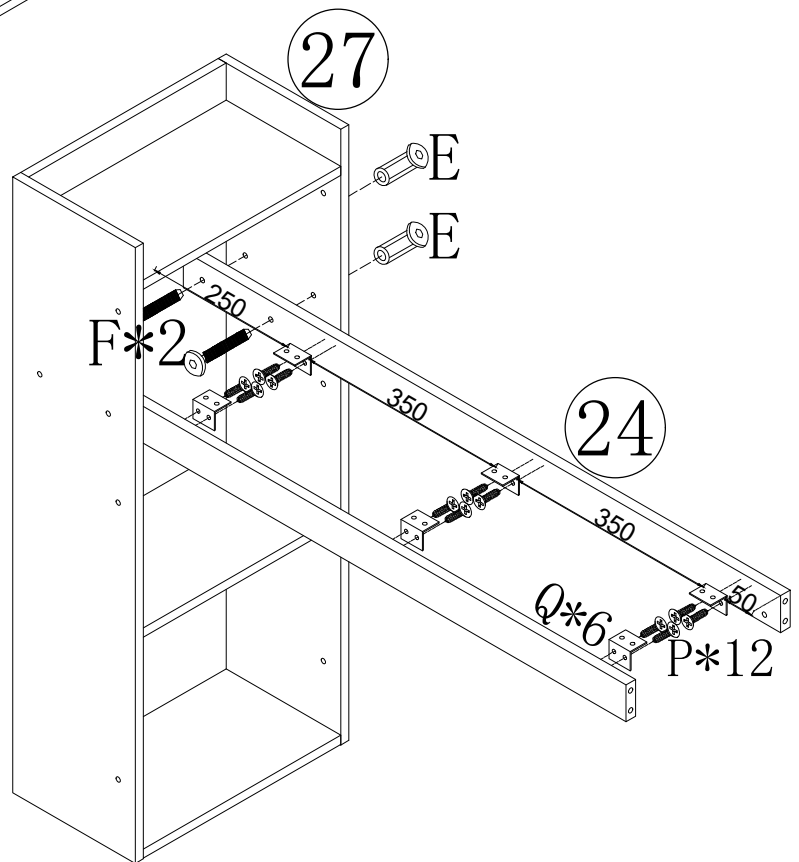
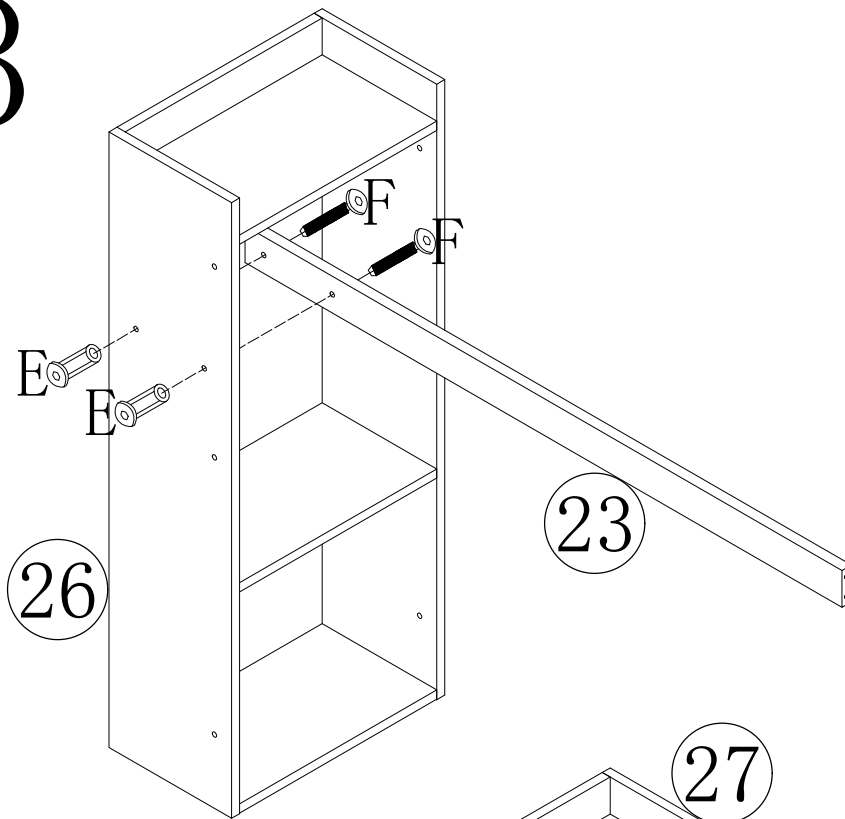
# 12








H		7PCS
I		6PCS

# ASSEMBLY INSTRUCTIONS

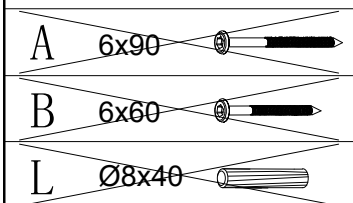
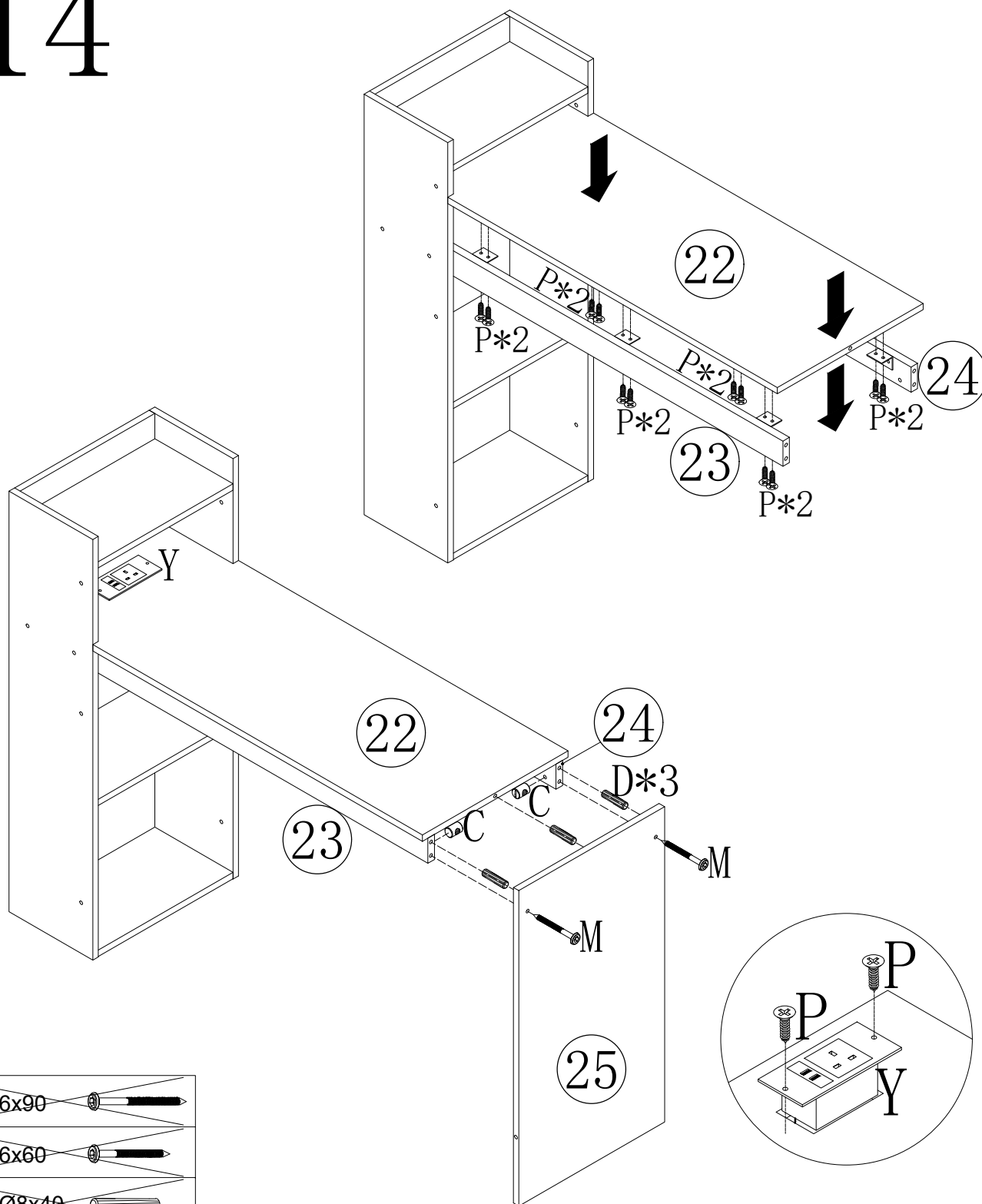
# 13



E	6x20		4PCS	F	6x25		4PCS				
P	3x14		12PCS	Q			6PCS	S	M4		2PCS

# ASSEMBLY INSTRUCTIONS

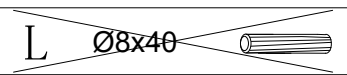
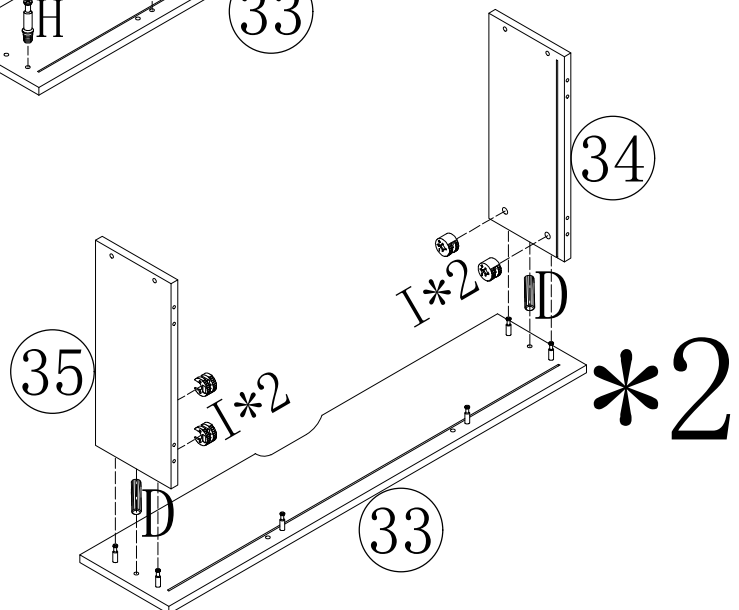
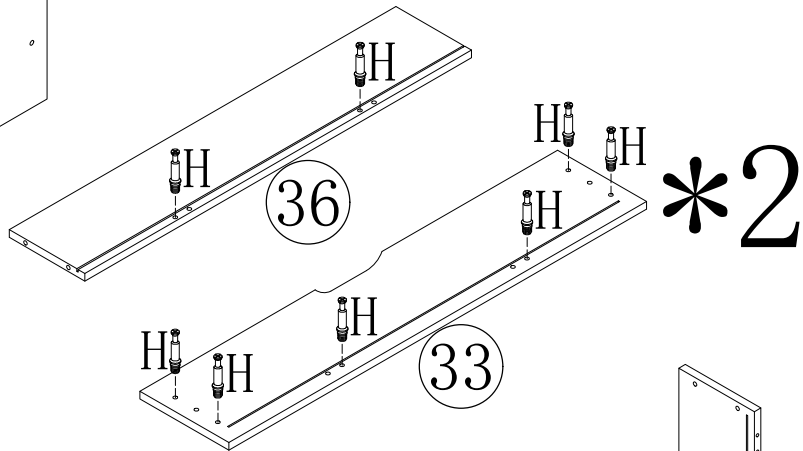
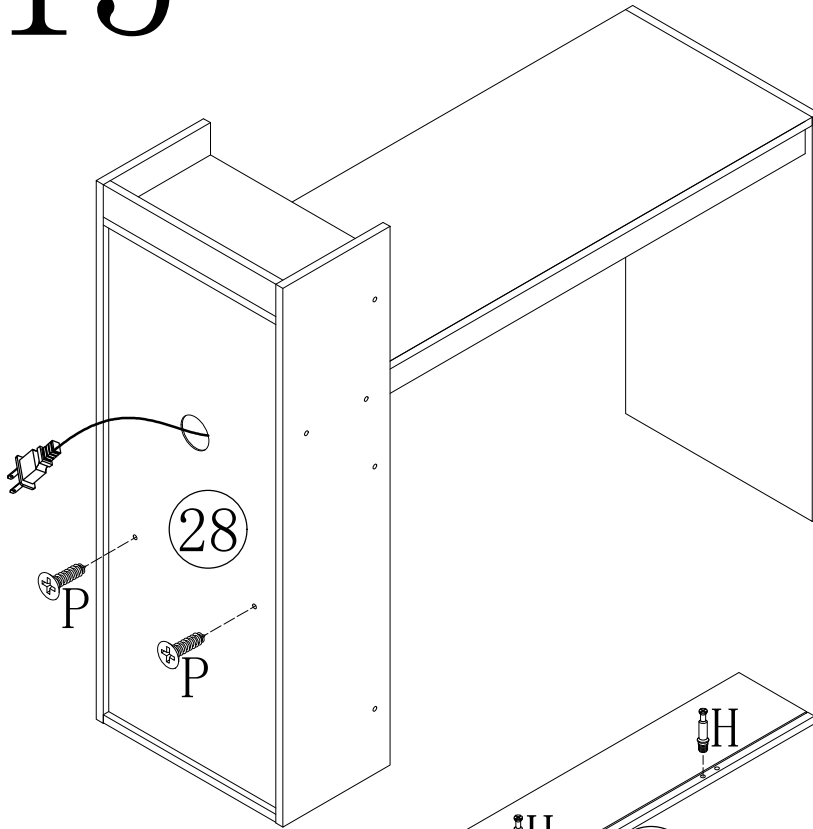
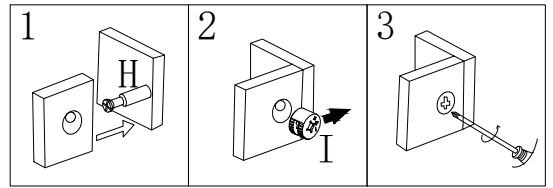
# 14



M	6x50		2PCS	C		2PCS	D	Ø8x30		3PCS
P	3x14		14PCS	Y		1PC	S	M4		1PC

# ASSEMBLY INSTRUCTIONS

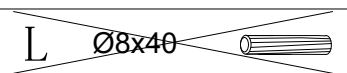
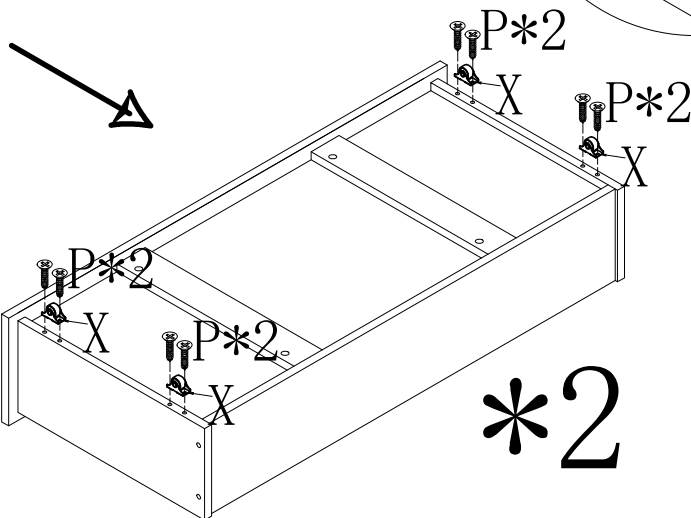
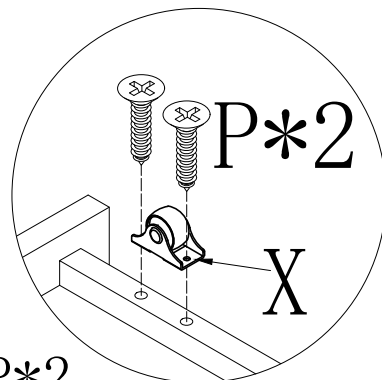
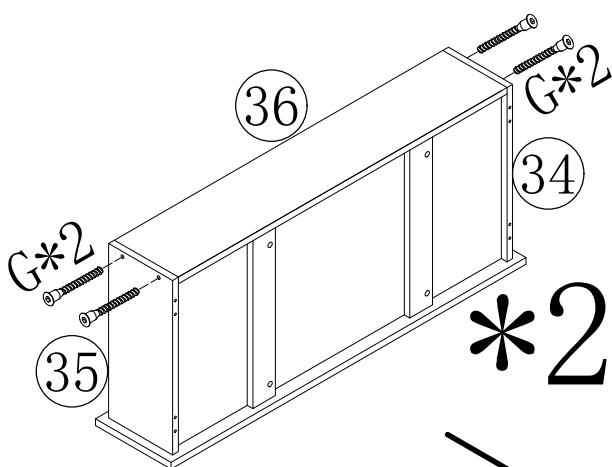
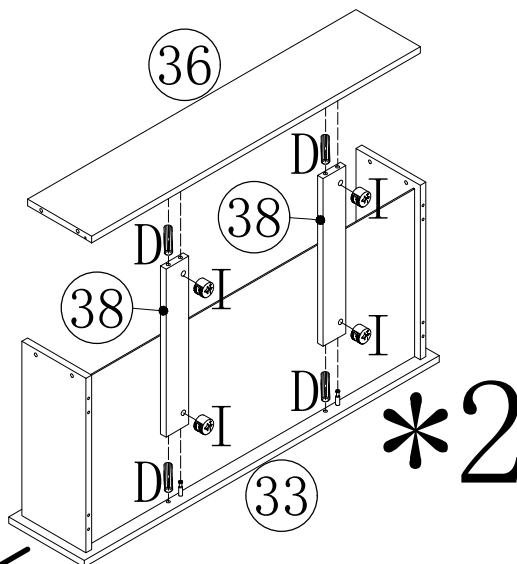
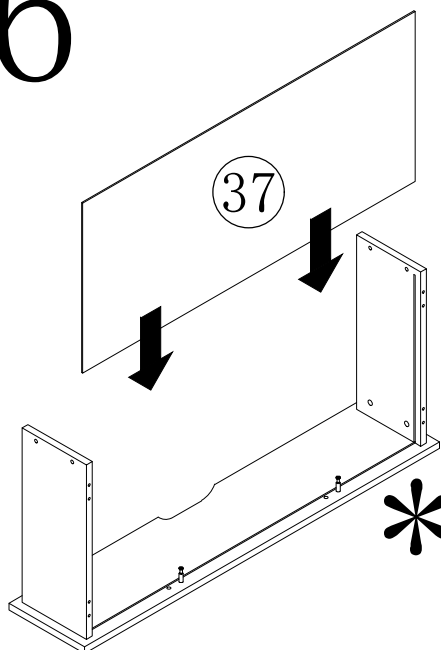
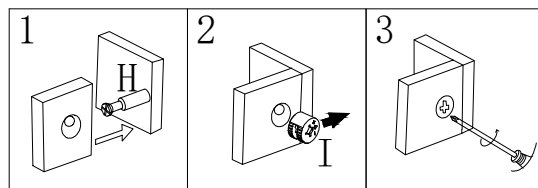
# 15



L	Ø8x40		4PCS
D	Ø8x30		4PCS
H			16PCS
I			8PCS
P	3x14		2PCS

# ASSEMBLY INSTRUCTIONS

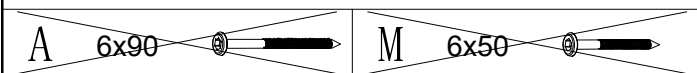
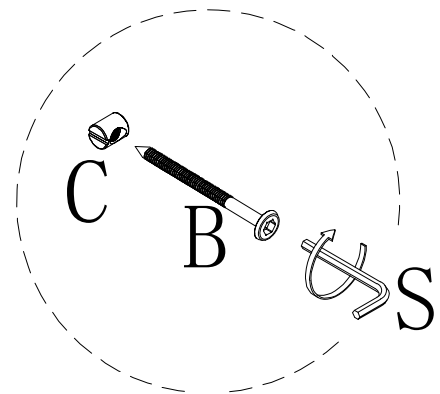
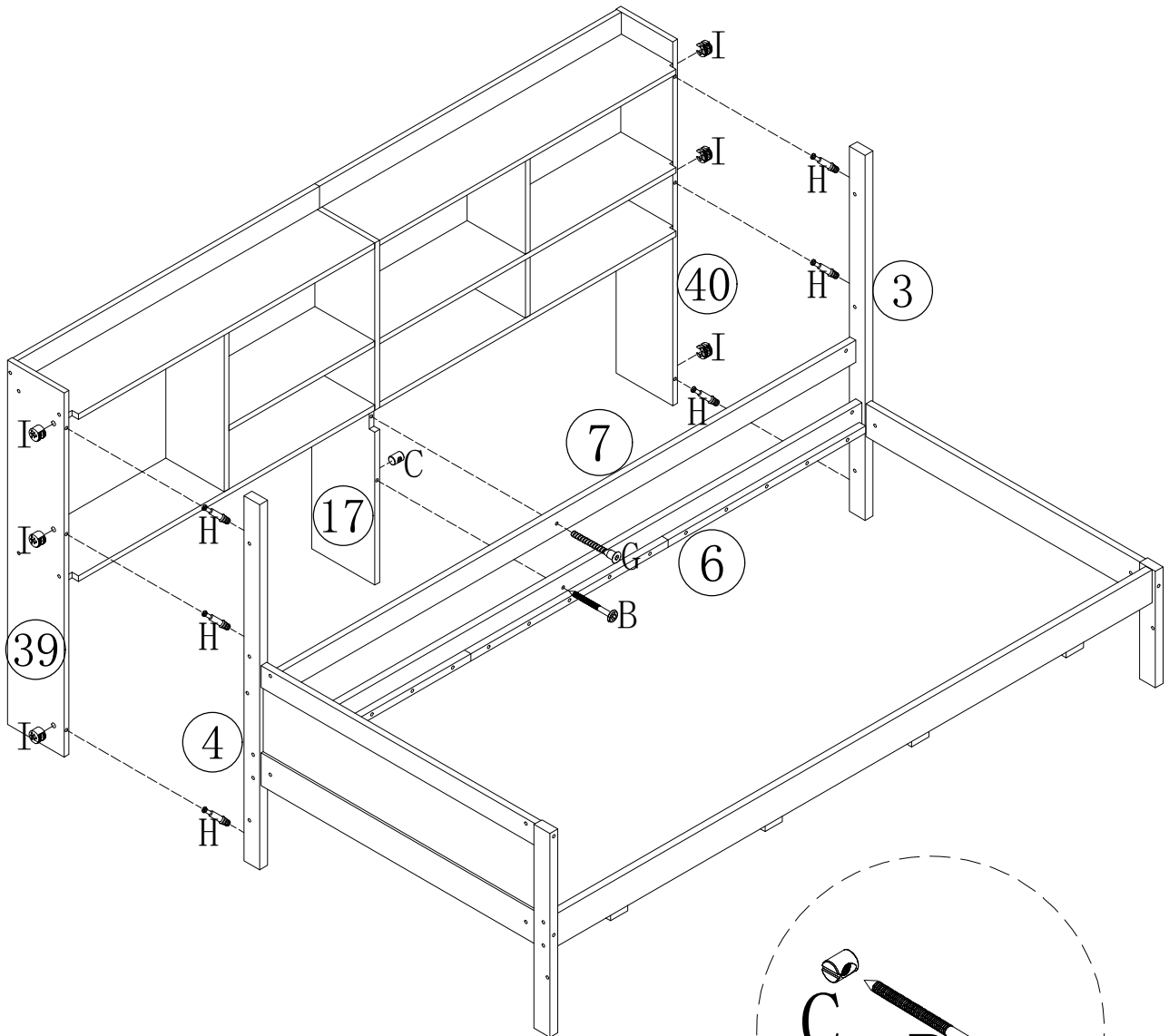
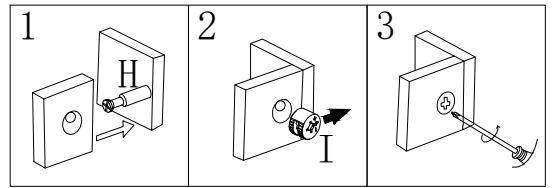
# 16



D	Ø8x30		8PCS
I			8PCS
G	7x50		8PCS
P	3x14		16PCS
X			8PCS
S	M4		1PC

# ASSEMBLY INSTRUCTIONS

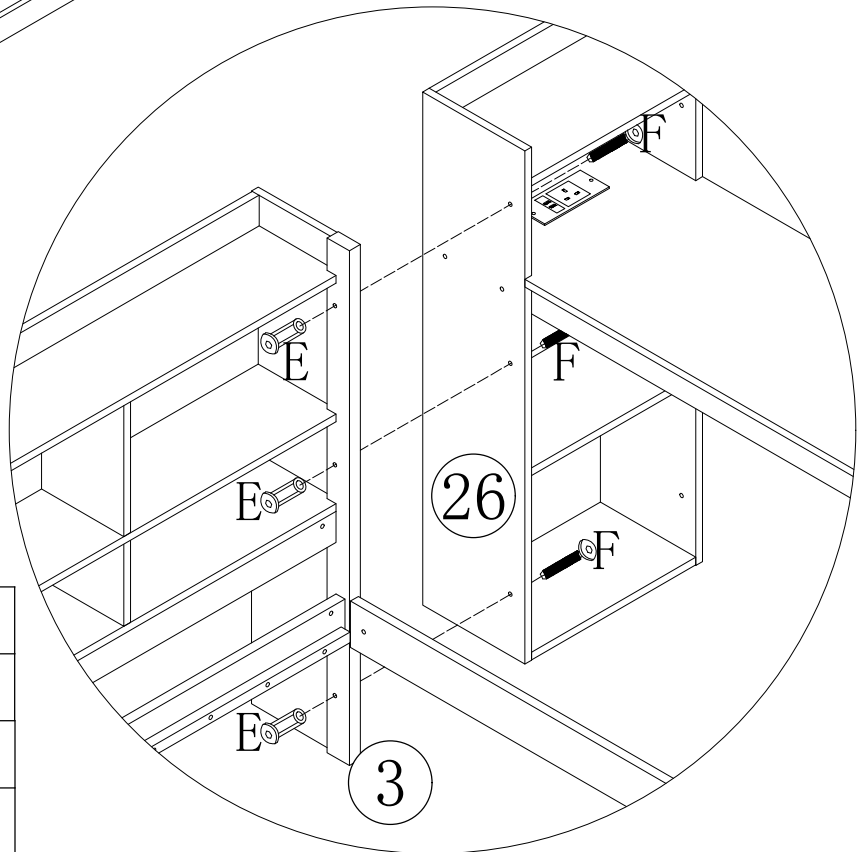
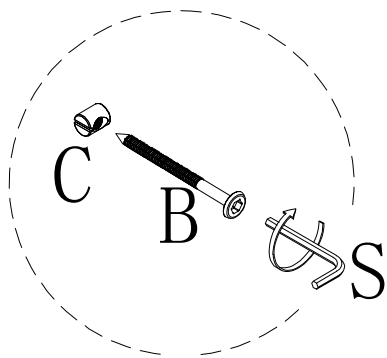
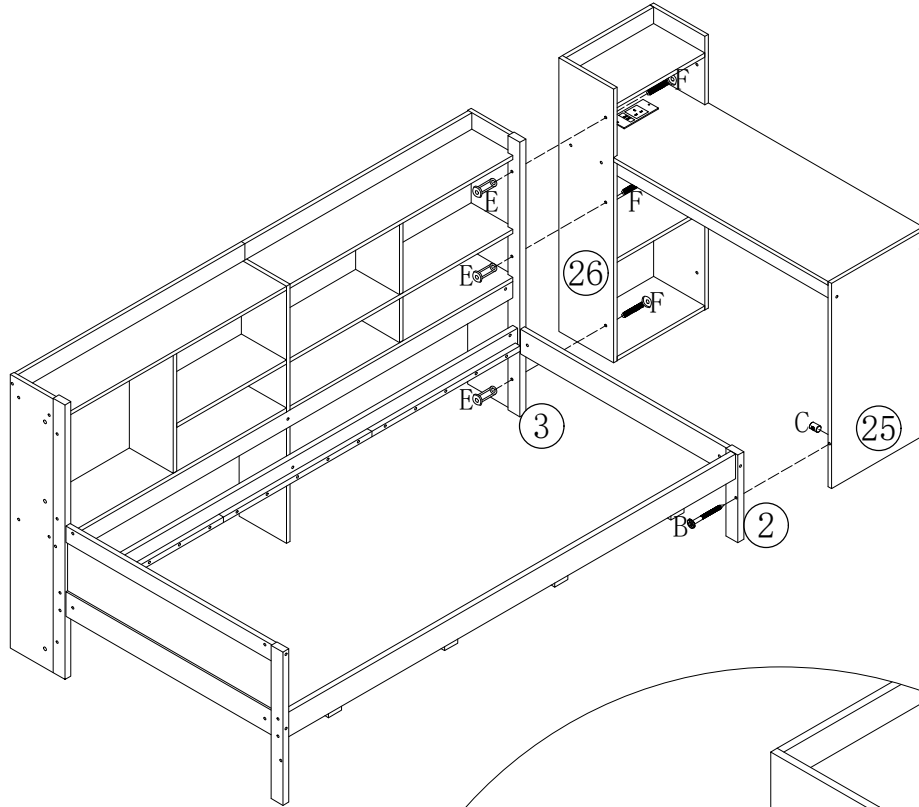
# 17








B	6x60		1PC	C		1PC	G	7x50		1PC
H			6PCS	I		6PCS	S	M4		1PC

# ASSEMBLY INSTRUCTIONS

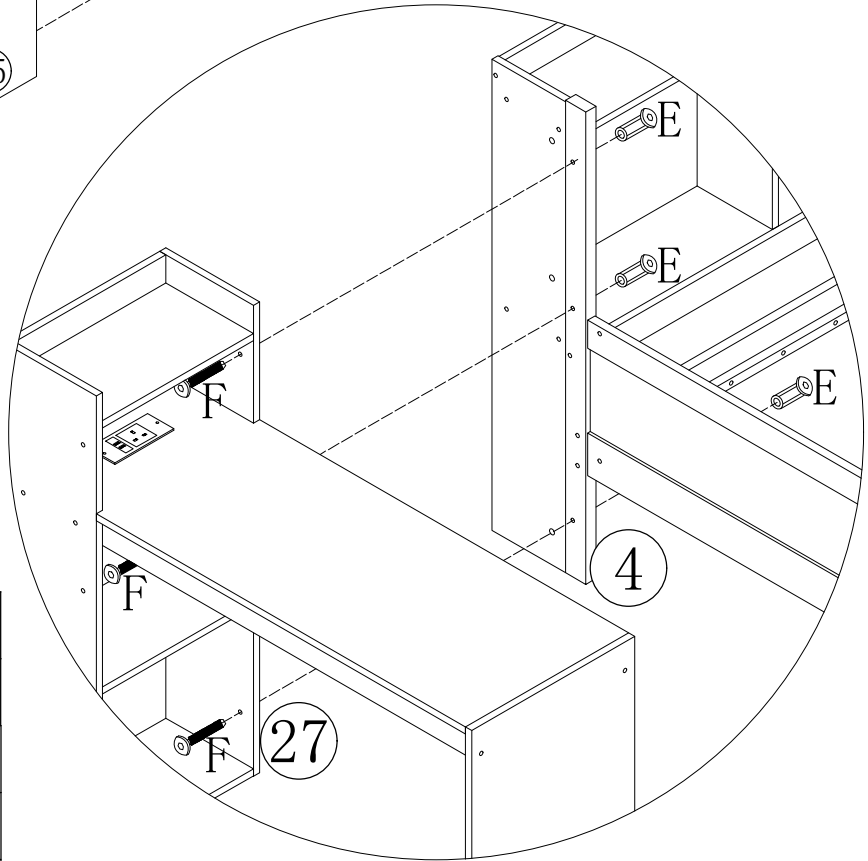
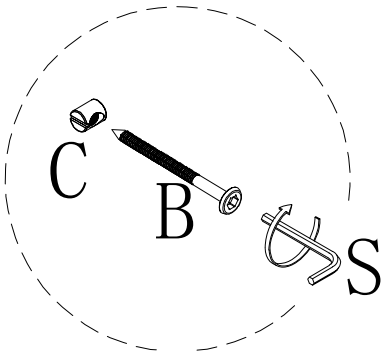
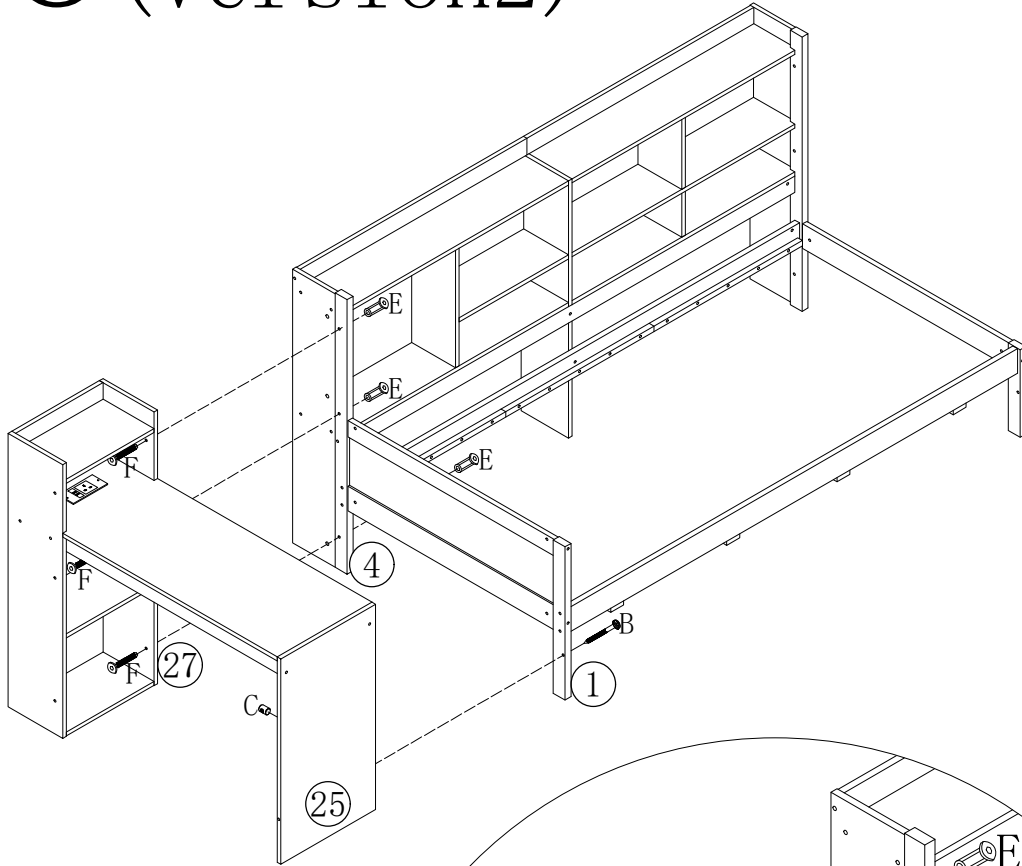
## 18 (version1)



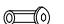




B	6x60		1PC
C			1PC
E	6x20		3PCS
F	6x25		3PCS
S	M4		2PCS

# ASSEMBLY INSTRUCTIONS

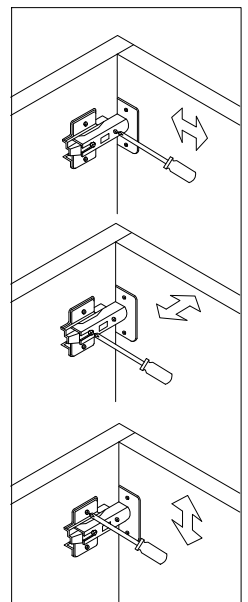
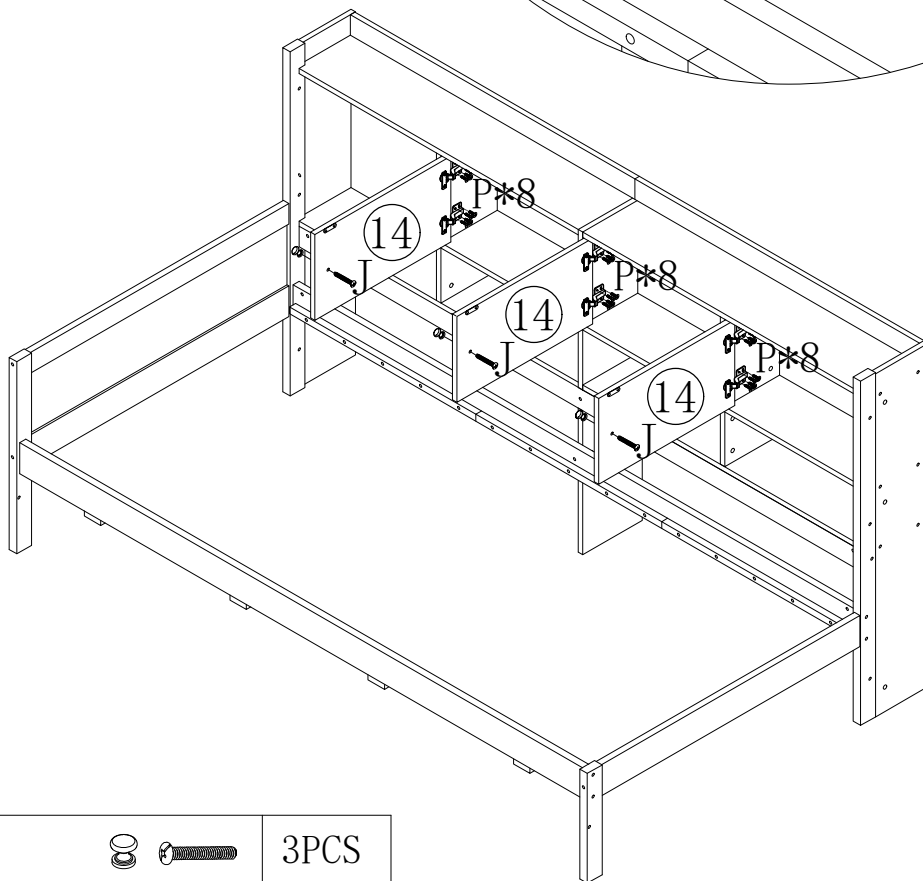
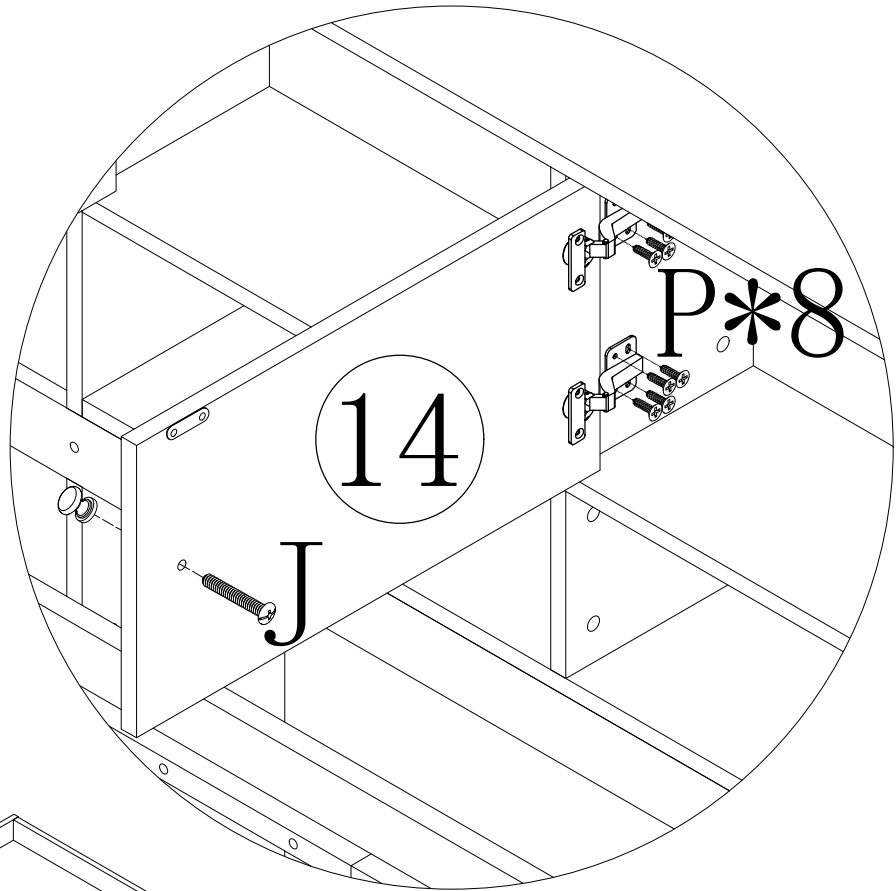
## 18 (version2)





B	6x60		1PC
C			1PC
E	6x20		3PCS
F	6x25		3PCS
S	M4		2PCS

# ASSEMBLY INSTRUCTIONS

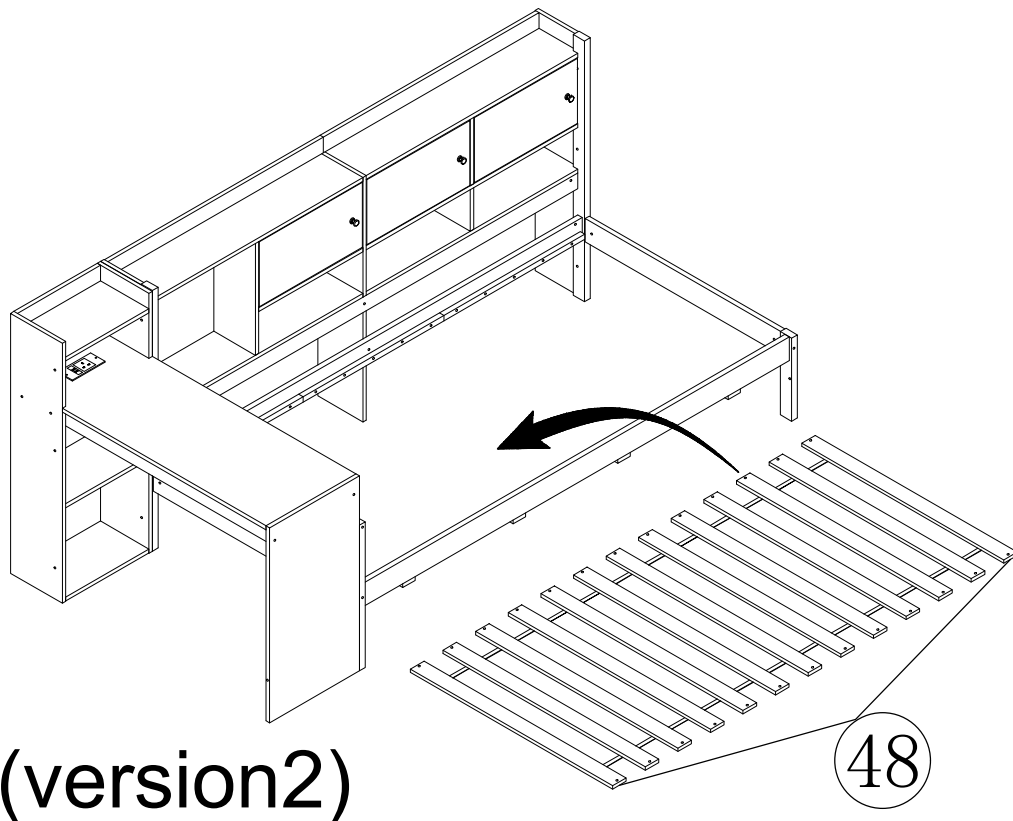
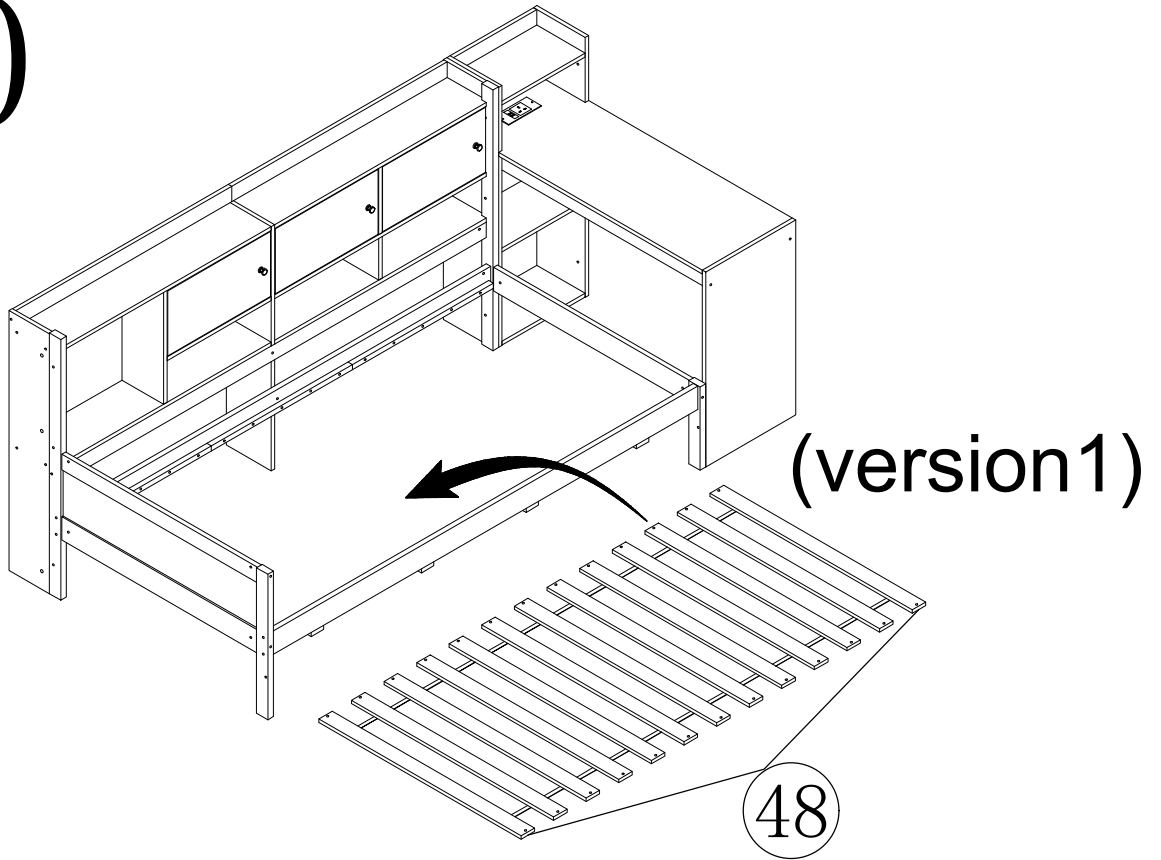
# 19



J		3PCS
P	3x14 	24PCS

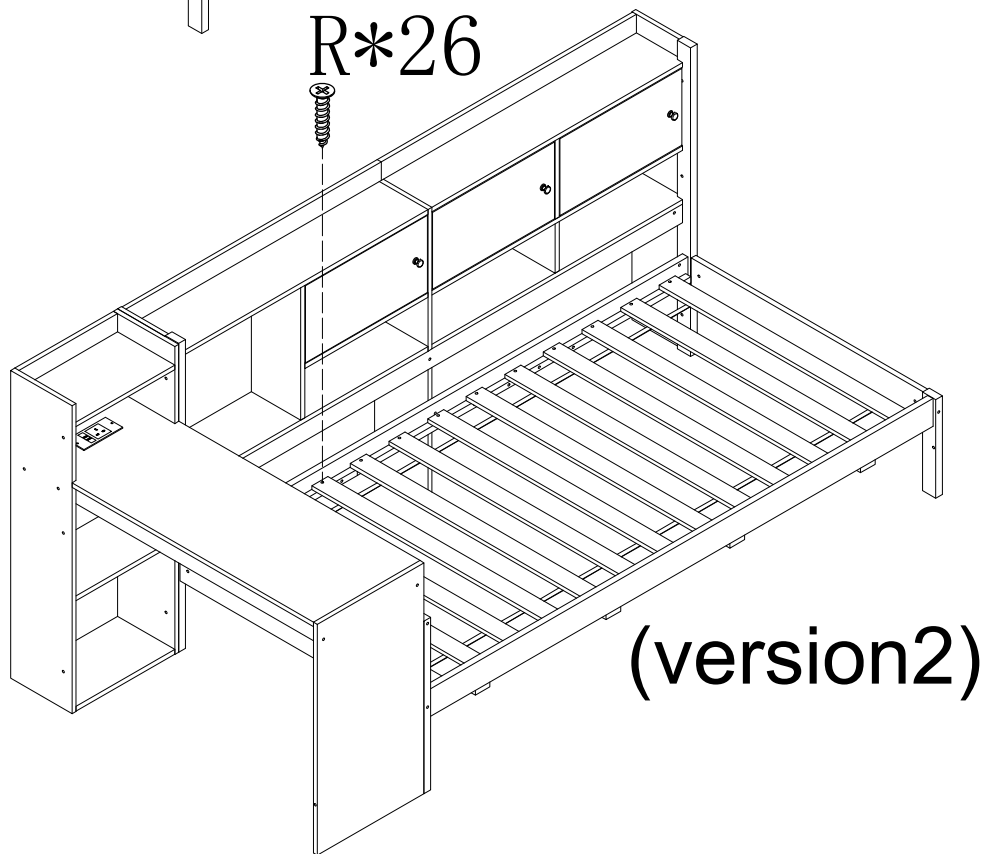
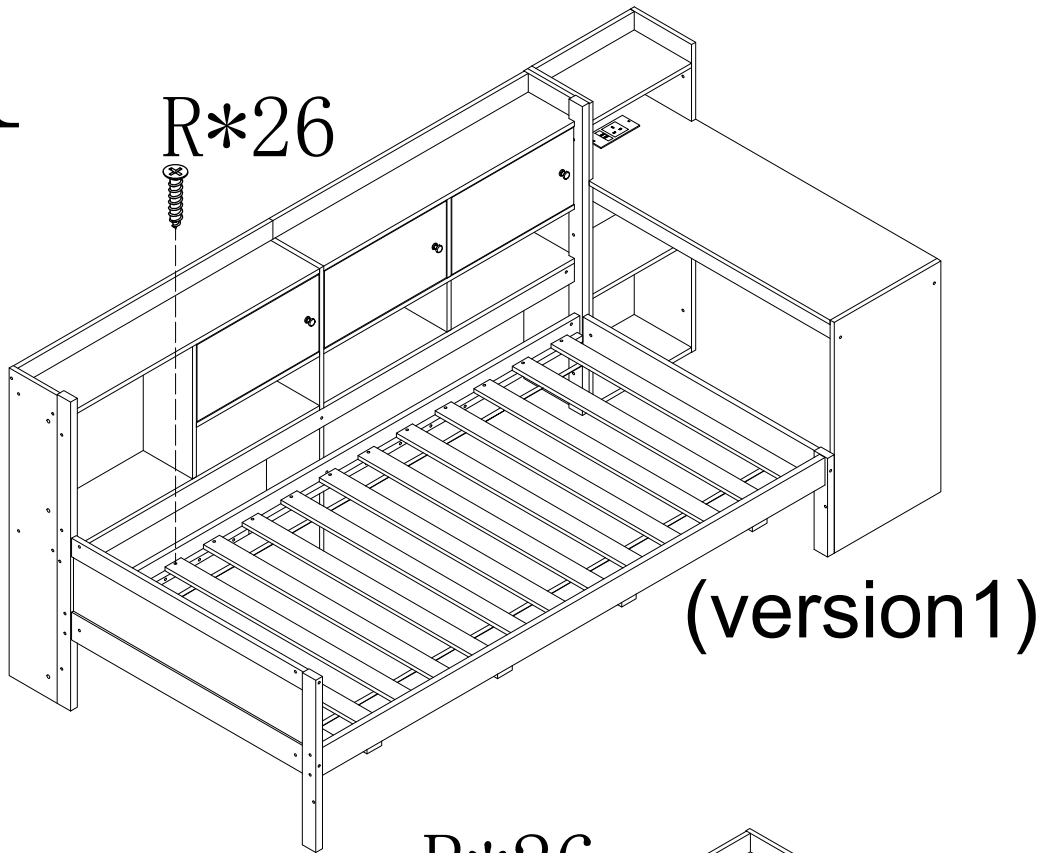
# ASSEMBLY INSTRUCTIONS

# 20



# ASSEMBLY INSTRUCTIONS

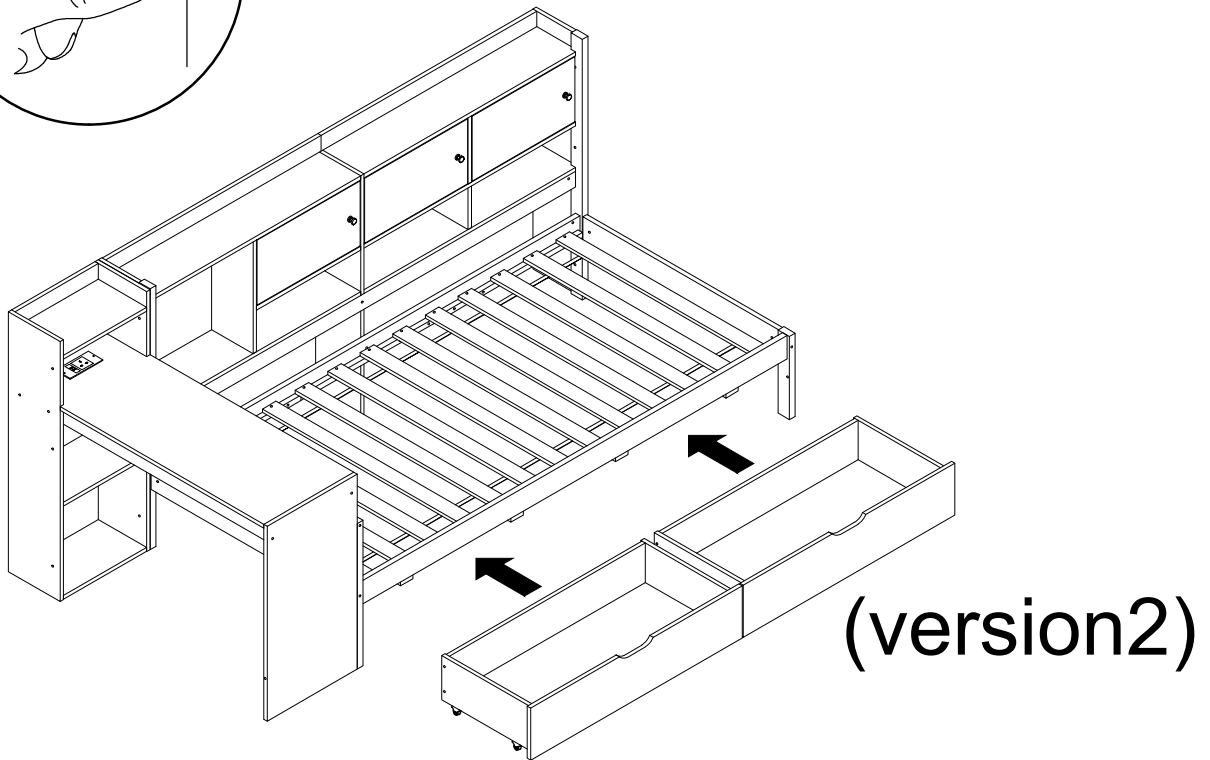
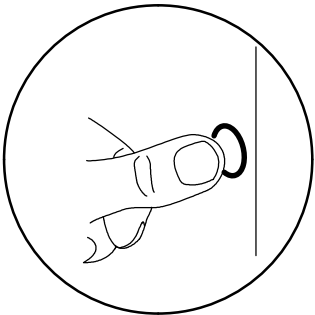
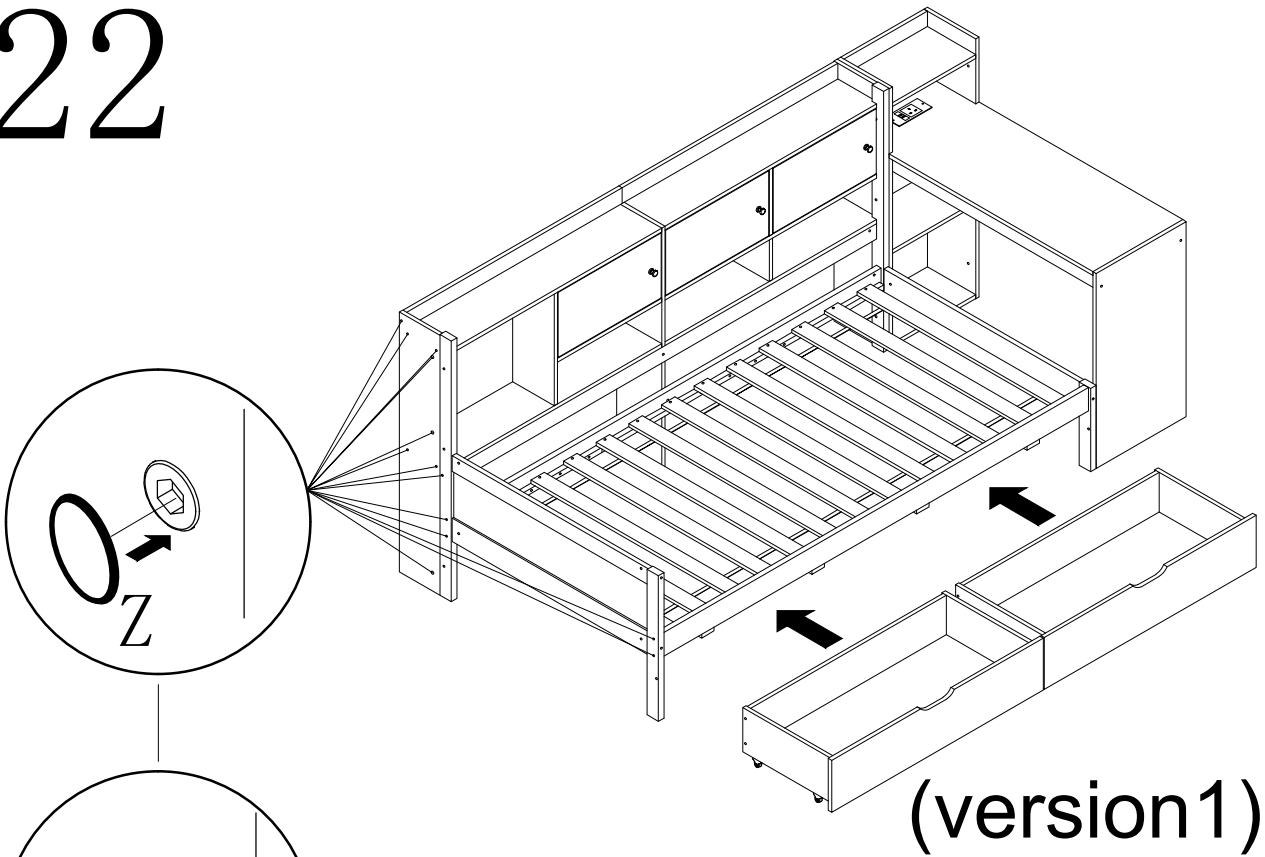
# 21



R	4x30		26PCS
---	------	---	-------

# ASSEMBLY INSTRUCTIONS

# 22



Z		13PCS
---	---	-------