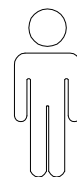
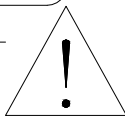
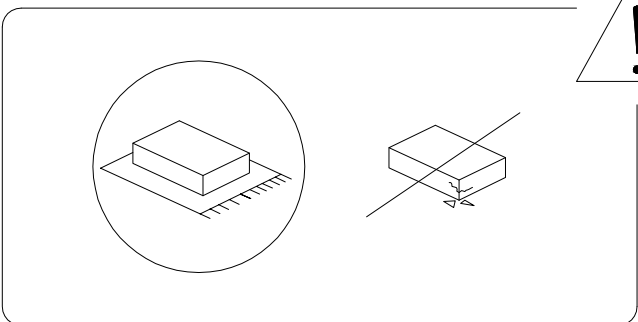
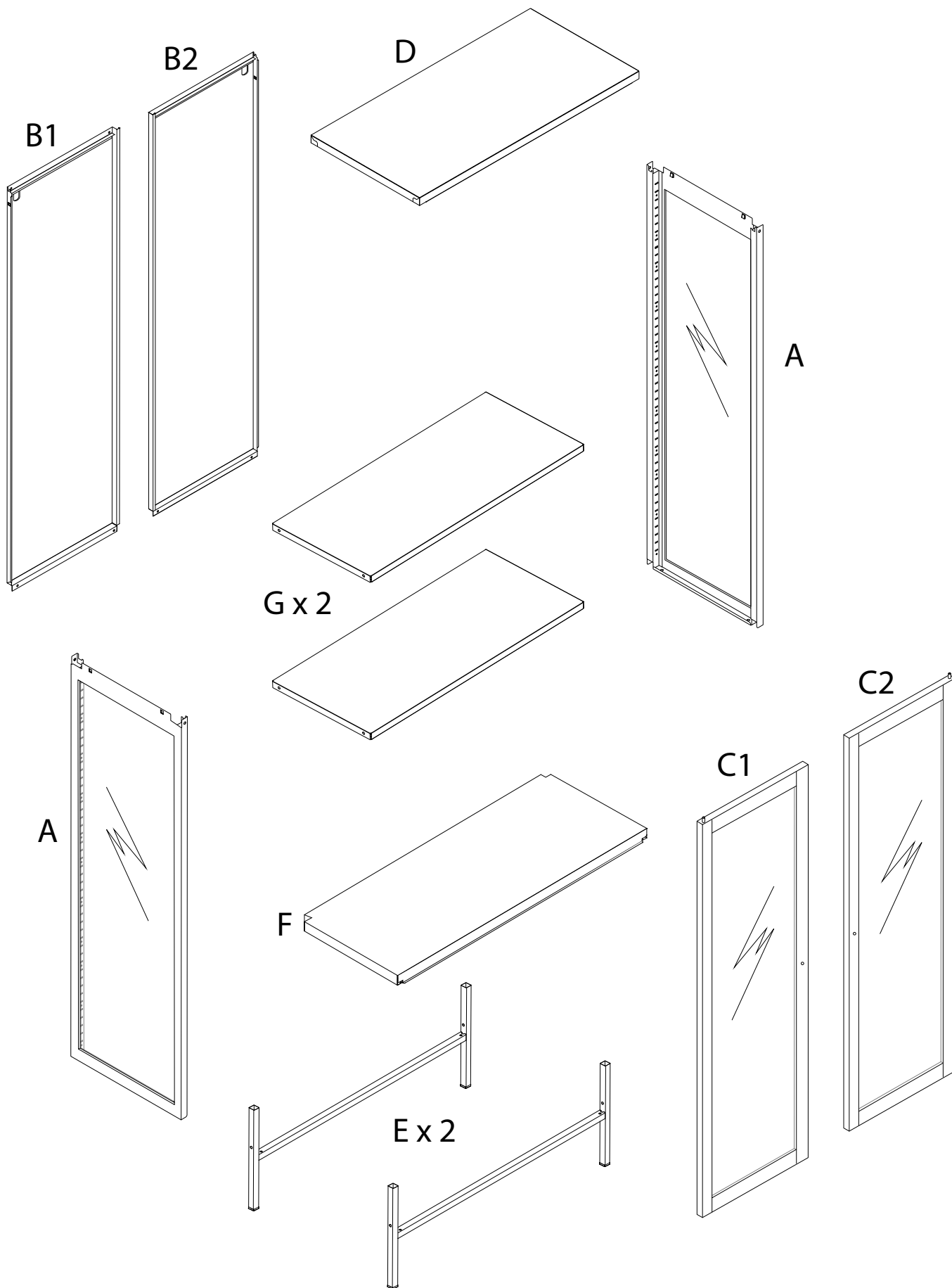


30'



2



A



x 2

B1



x 1

B2



x 1

C1



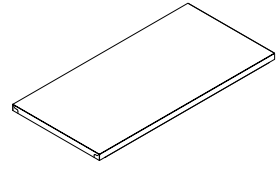
x 1

C2



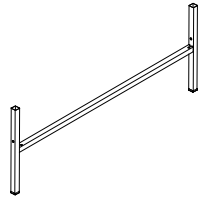
x 1

D



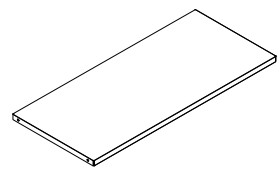
x 1

E



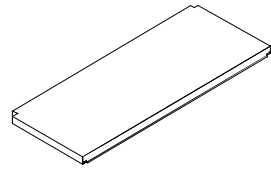
x 2

F



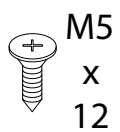
x 1

G



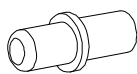
x 2

1



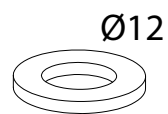
x 34

2



x 2

3



x 2

4



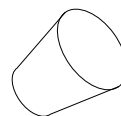
x 2

5



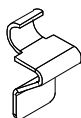
x 2

6



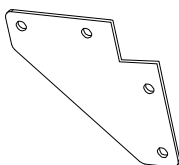
x 2

7



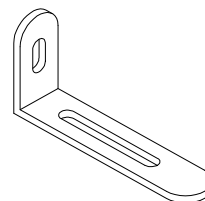
x 8

8



x 4

9



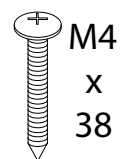
x 2

10



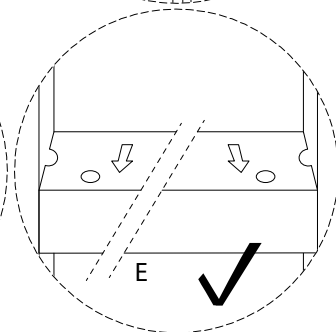
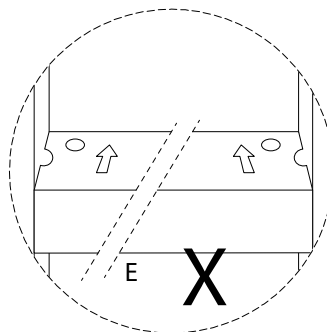
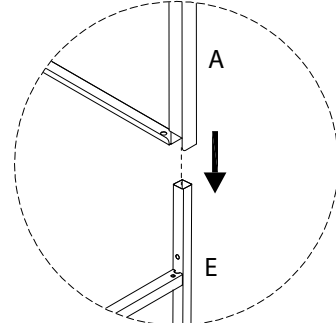
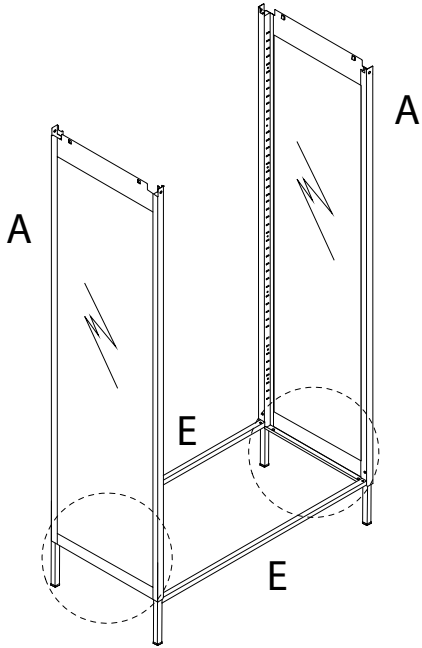
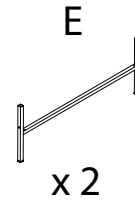
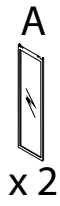
x 2

11

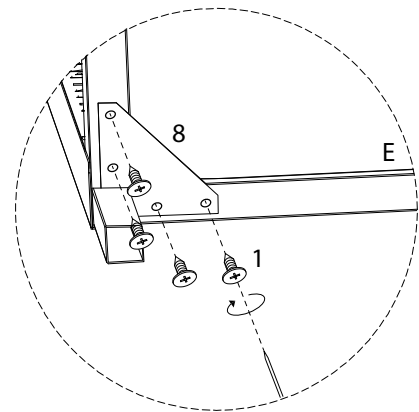
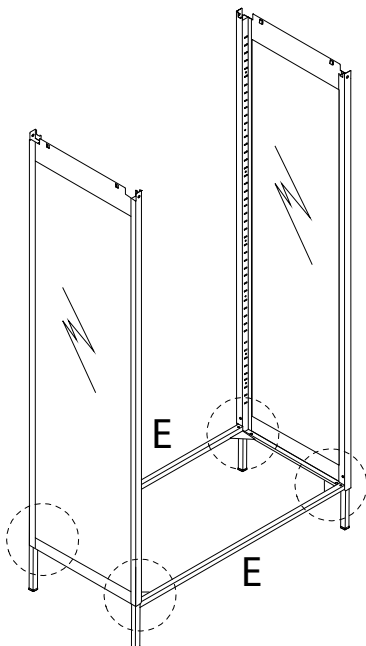
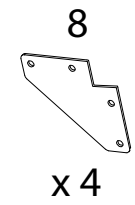
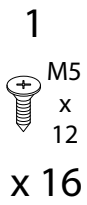


x 2

1



2



3

B1

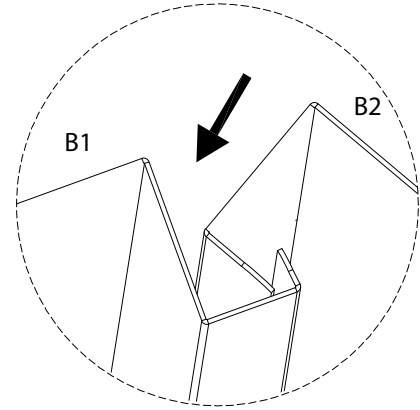
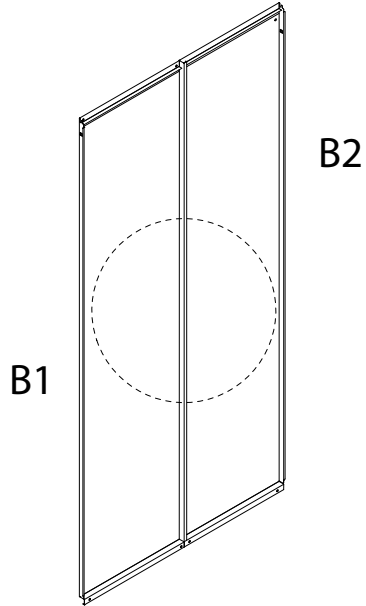


x 1

B2



x 1

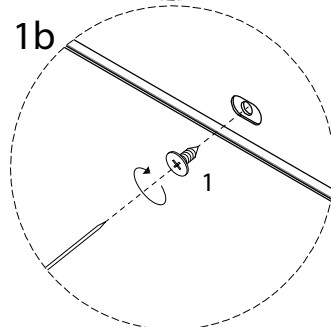
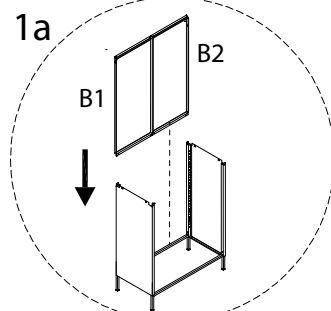
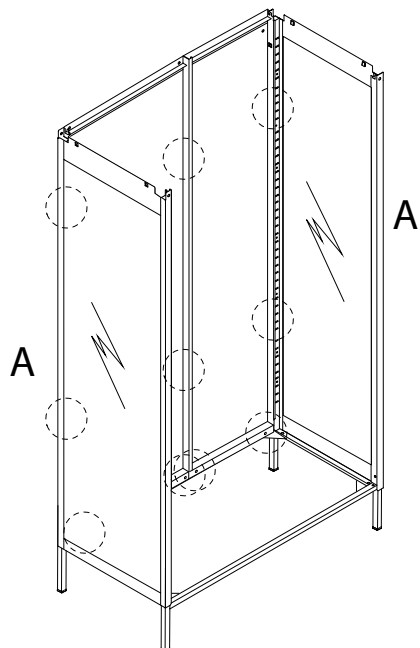


4

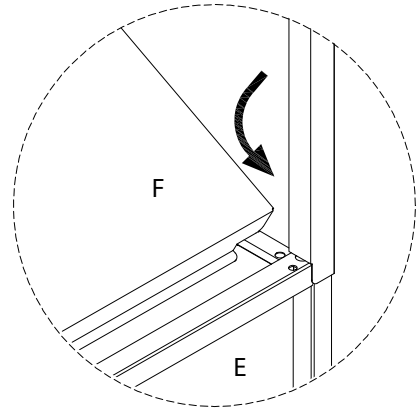
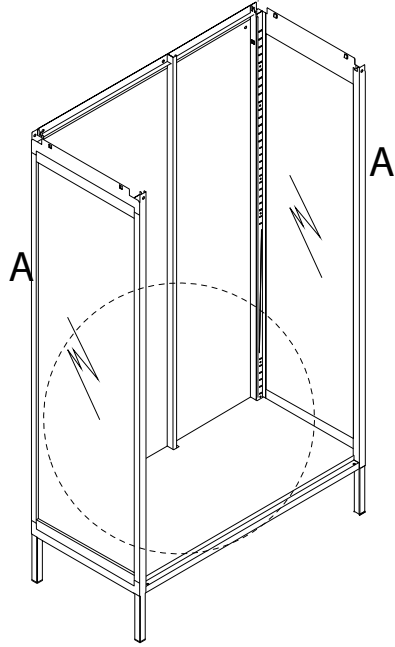
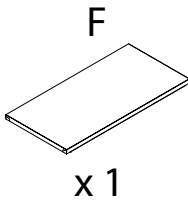
1



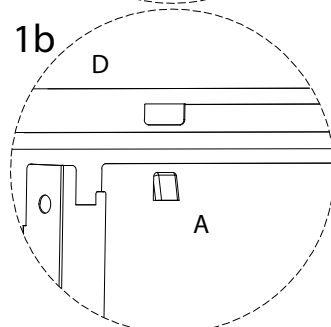
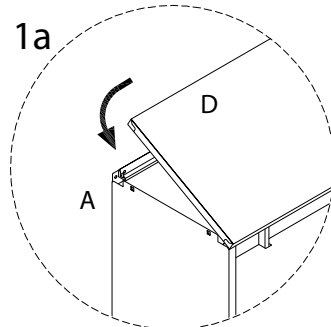
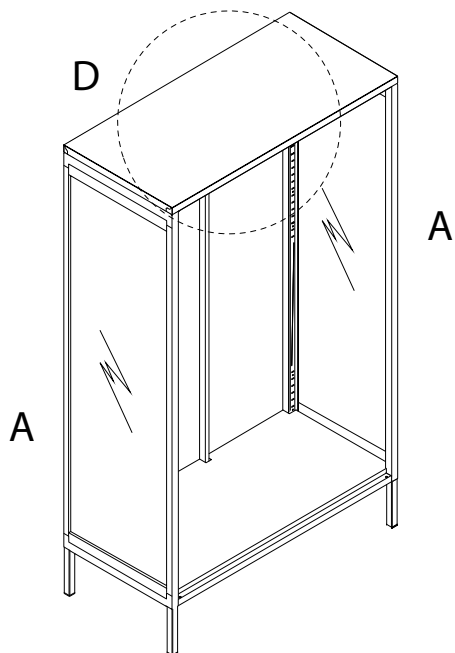
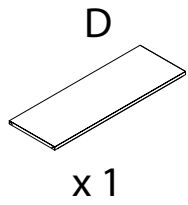
M5
x
12
x 10



5



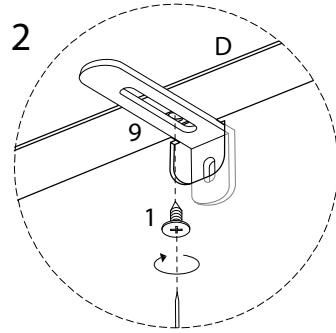
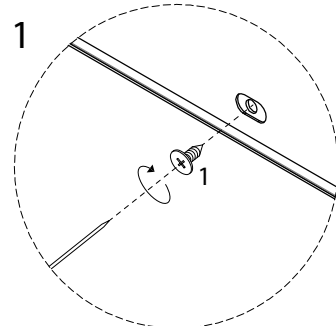
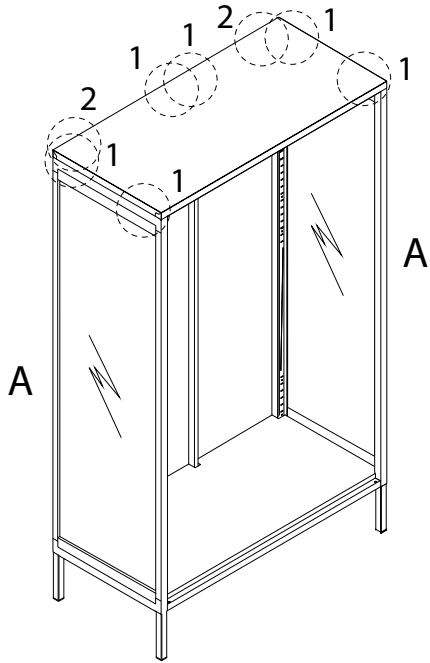
6



7

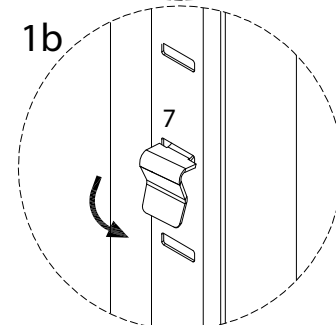
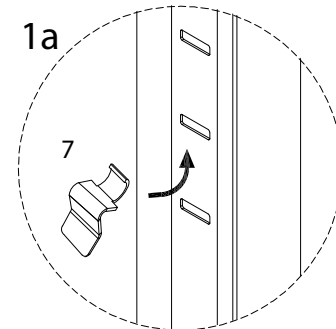
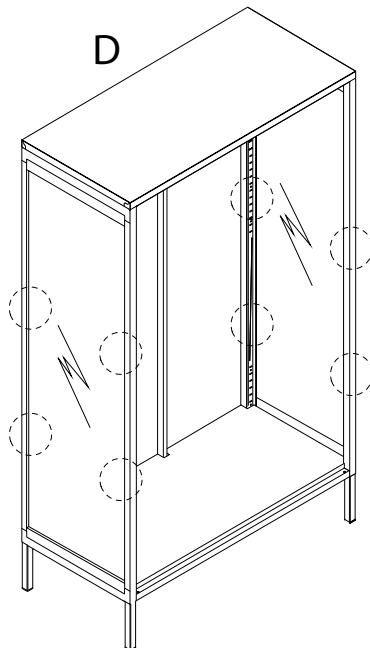
1
M5
x
12
x 8

9
x 2

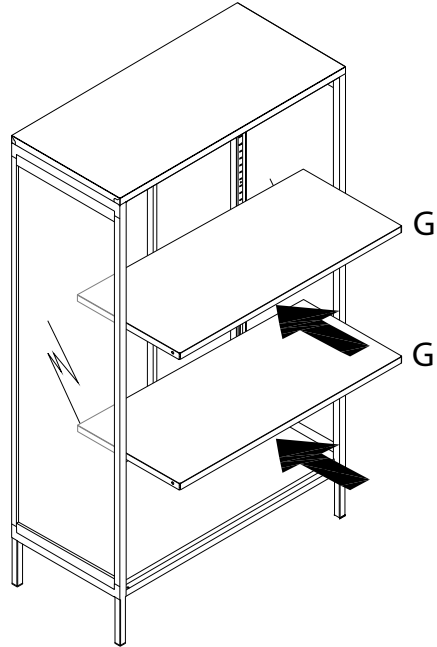
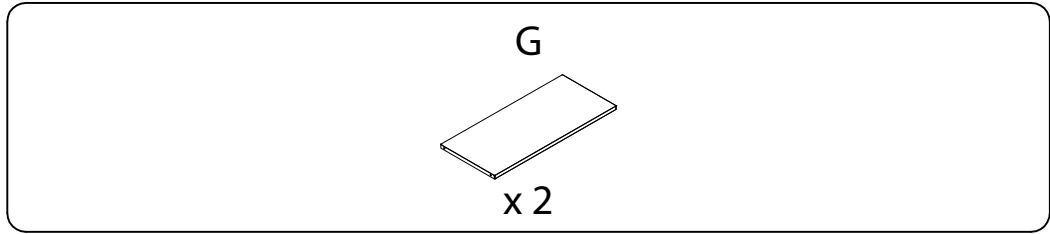


8

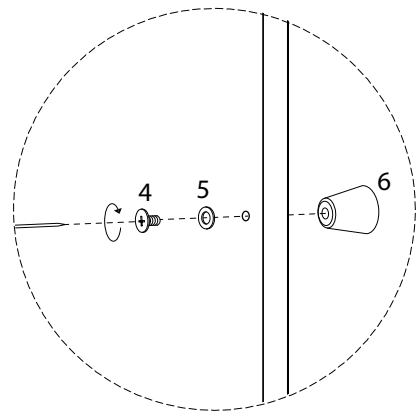
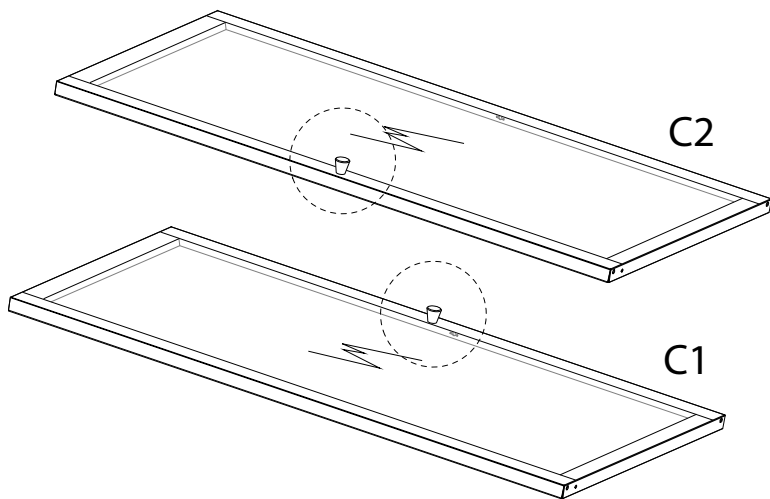
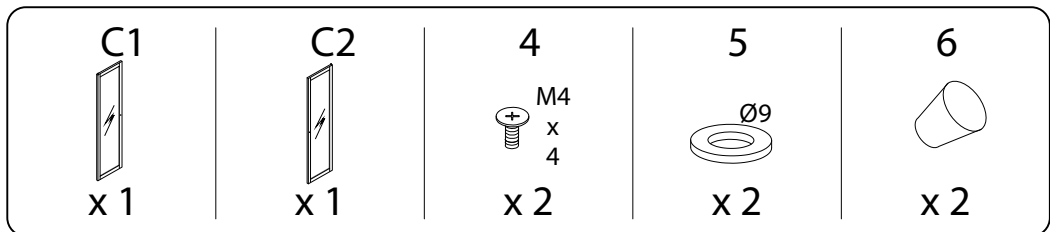
7
x 8



9

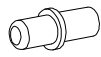


10



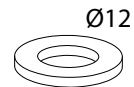
11

2



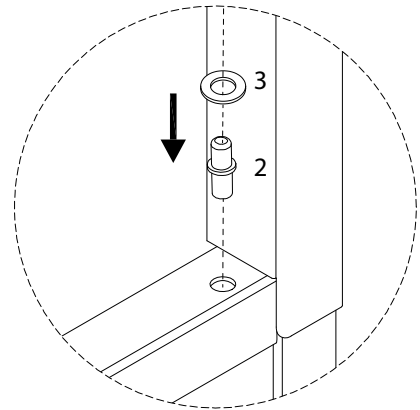
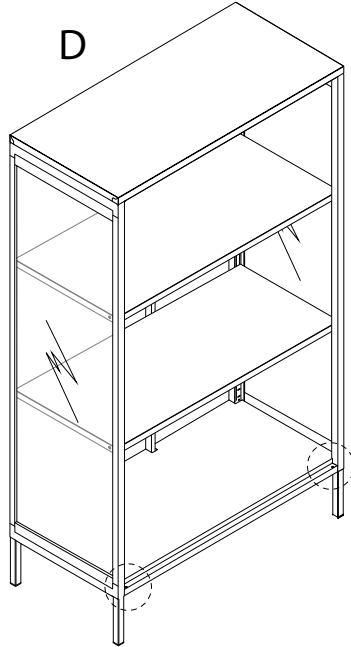
x 2

3

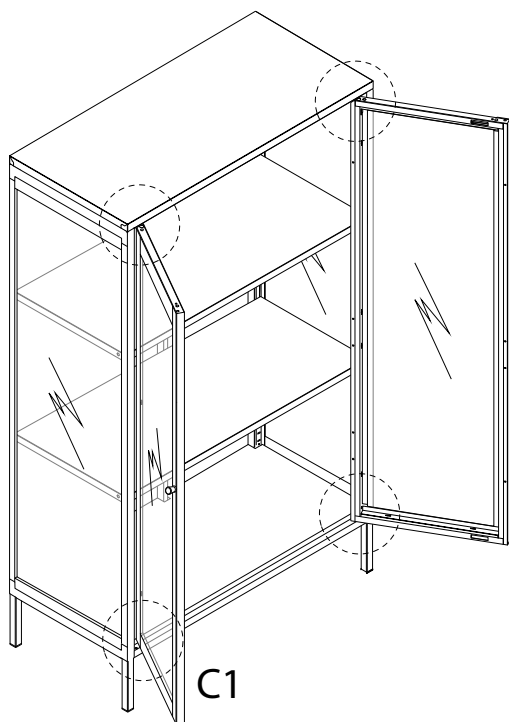


x 2

D

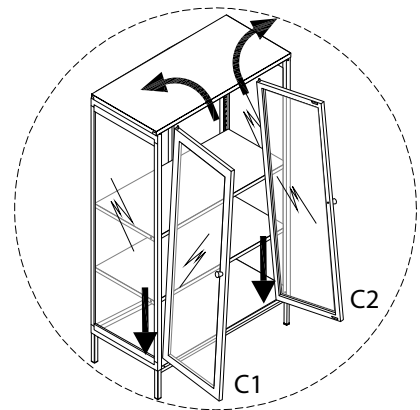


12



C2

C1



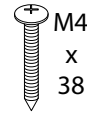
13

10



x 2

11



x 2

