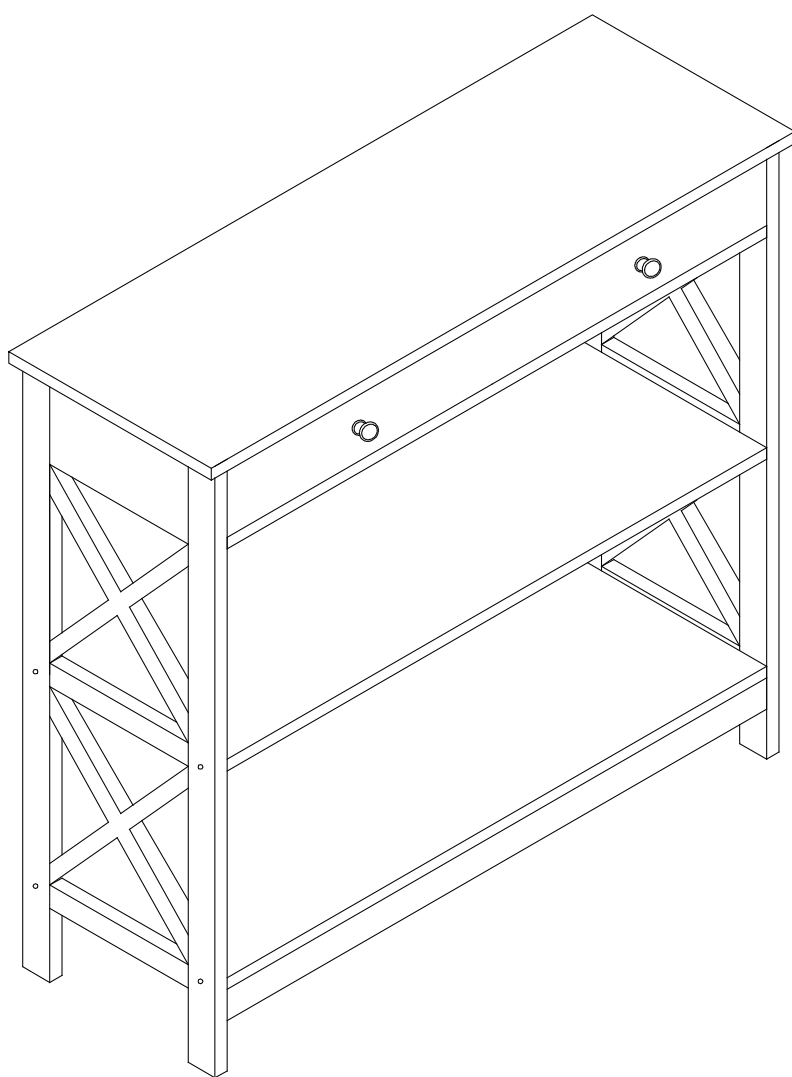
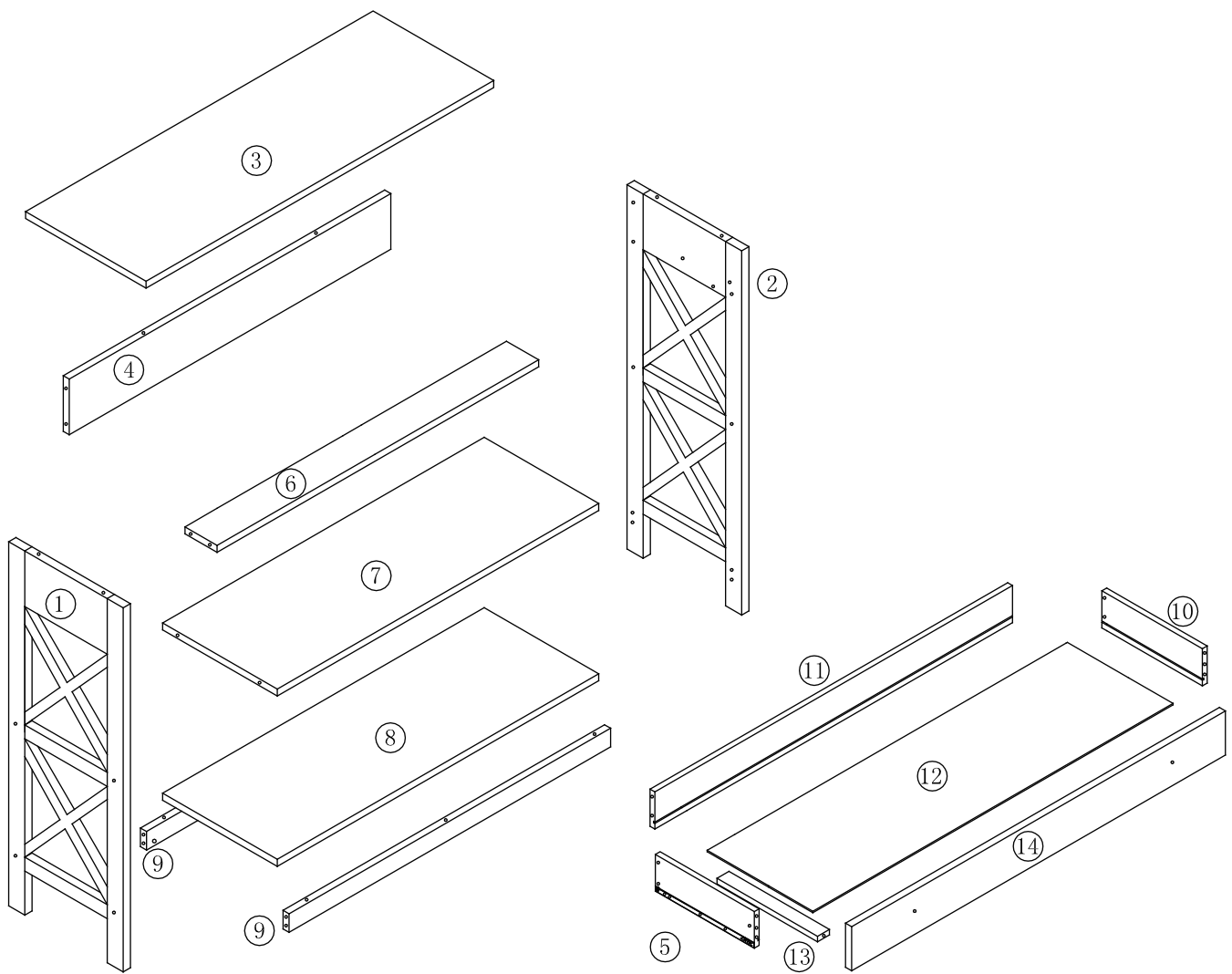




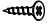










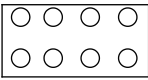


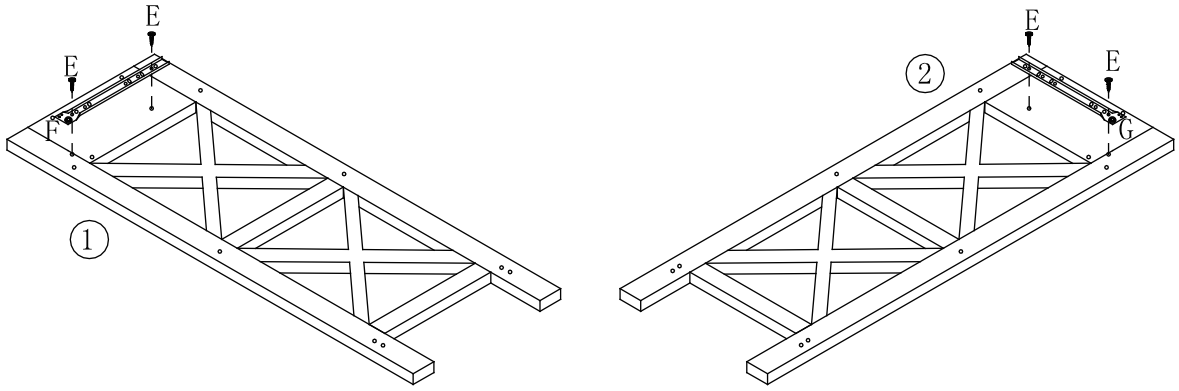
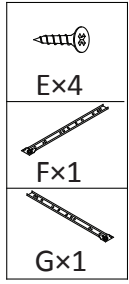
# Assembly Instruction



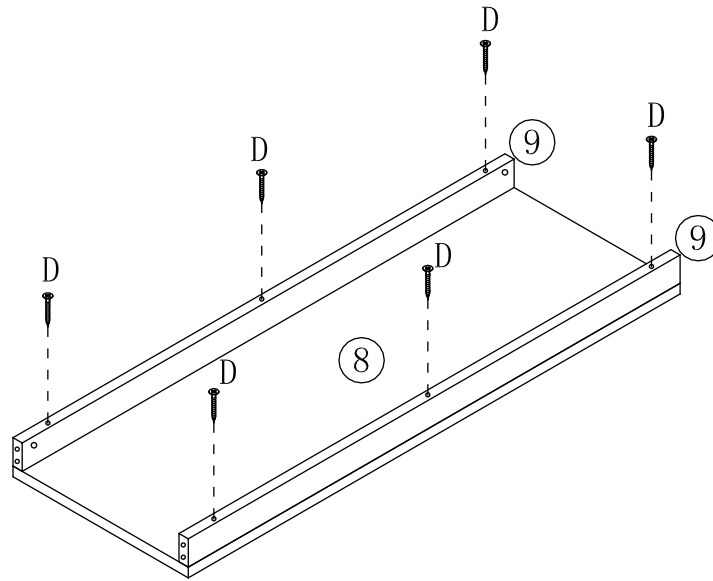


- |   |   |   |   |   |  |   |   |   |
|---|---|---|---|---|--|---|---|---|
|  |  |  |  |  |  |  |  |  |
| A 17pcs   | B 17pcs   | C 4pcs  | D 13pcs   | E 4pcs<br>( $\text{\O}3 \times 12 \text{mm}$ )                                      | F 1pc  | G 1pc   | H 2pcs  | I 2pcs  |
|  |  |  |  |  |   |  |   |   |
| J 4pcs  | K 2pcs  | L 8pcs  | M 8pcs  | N 2pcs  | O 2pcs<br>( $\text{\O}3 \times 15 \text{mm}$ )                                       | P 8pcs  |   |   |

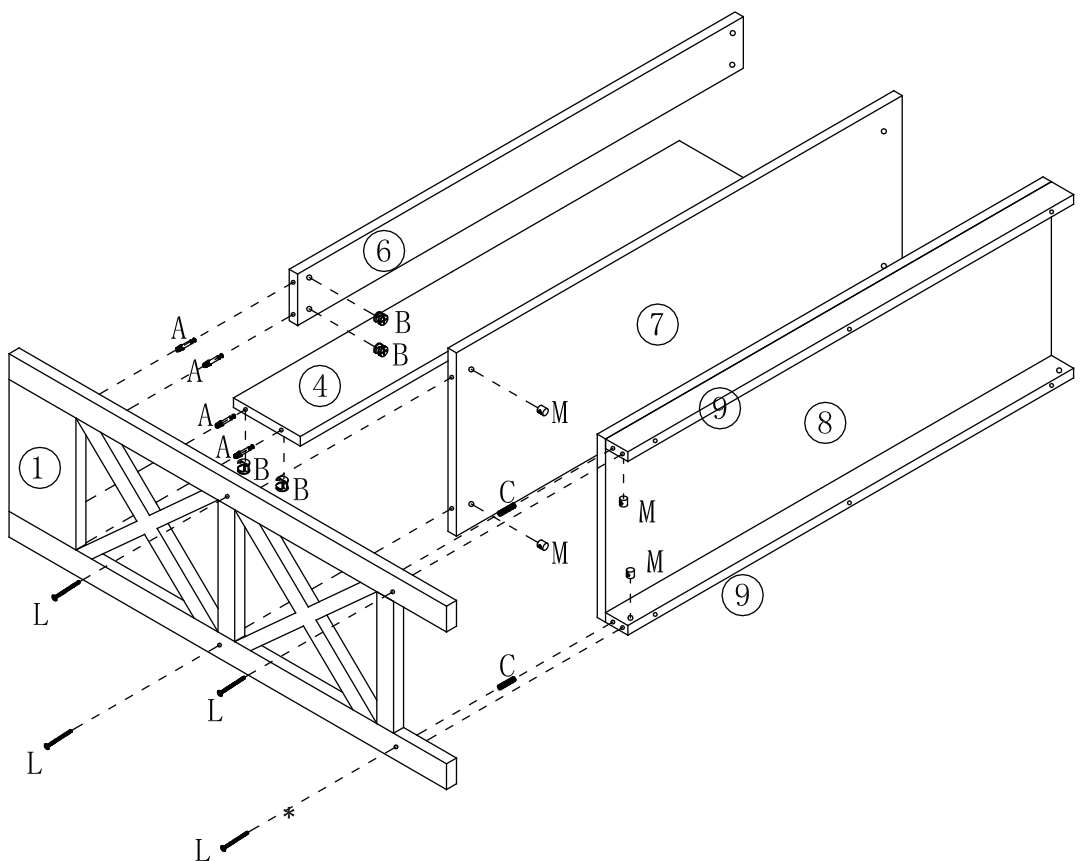
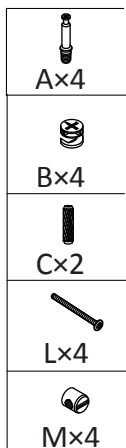
# Step 1



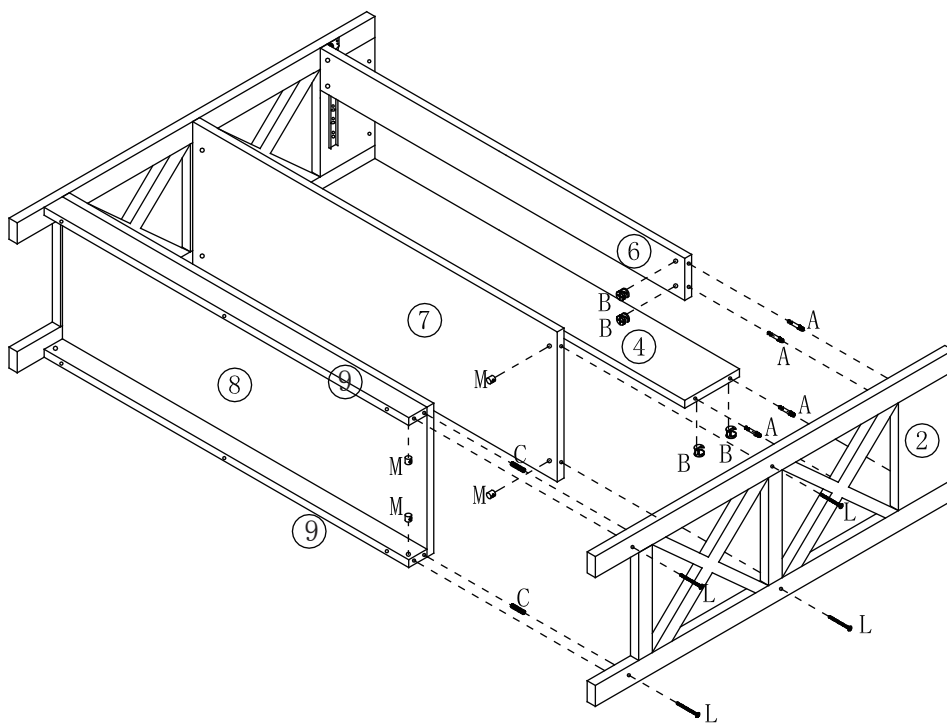
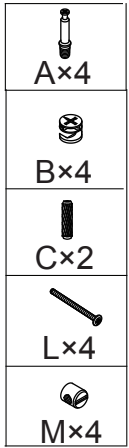
# Step 2



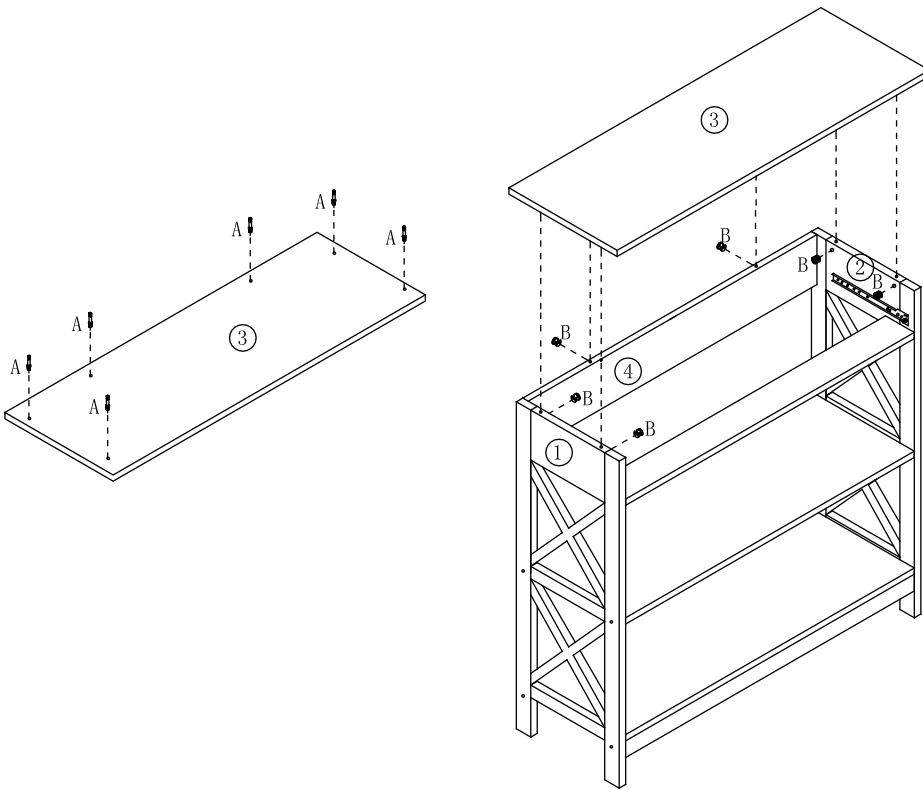
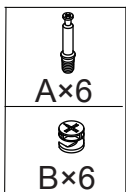
# Step 3



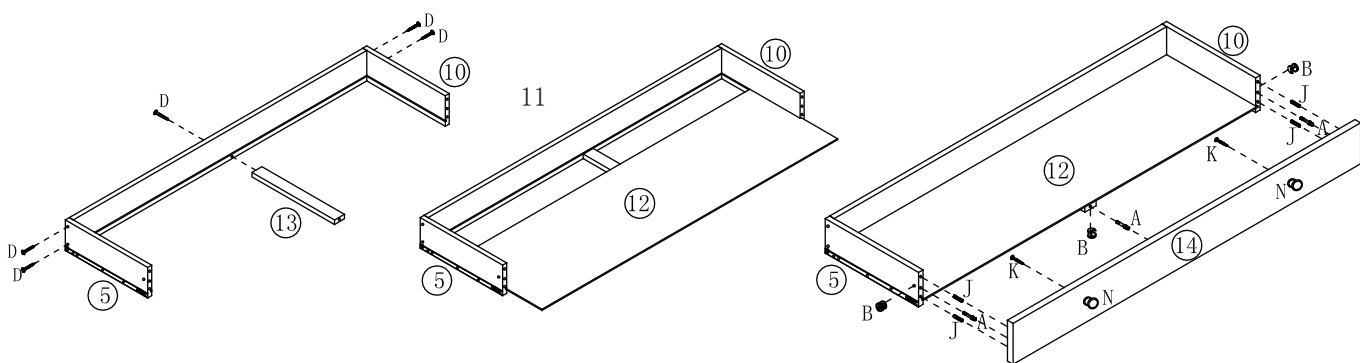
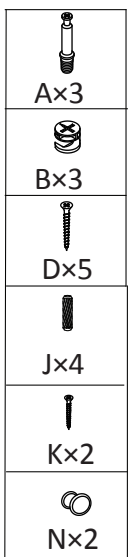
## Step 4



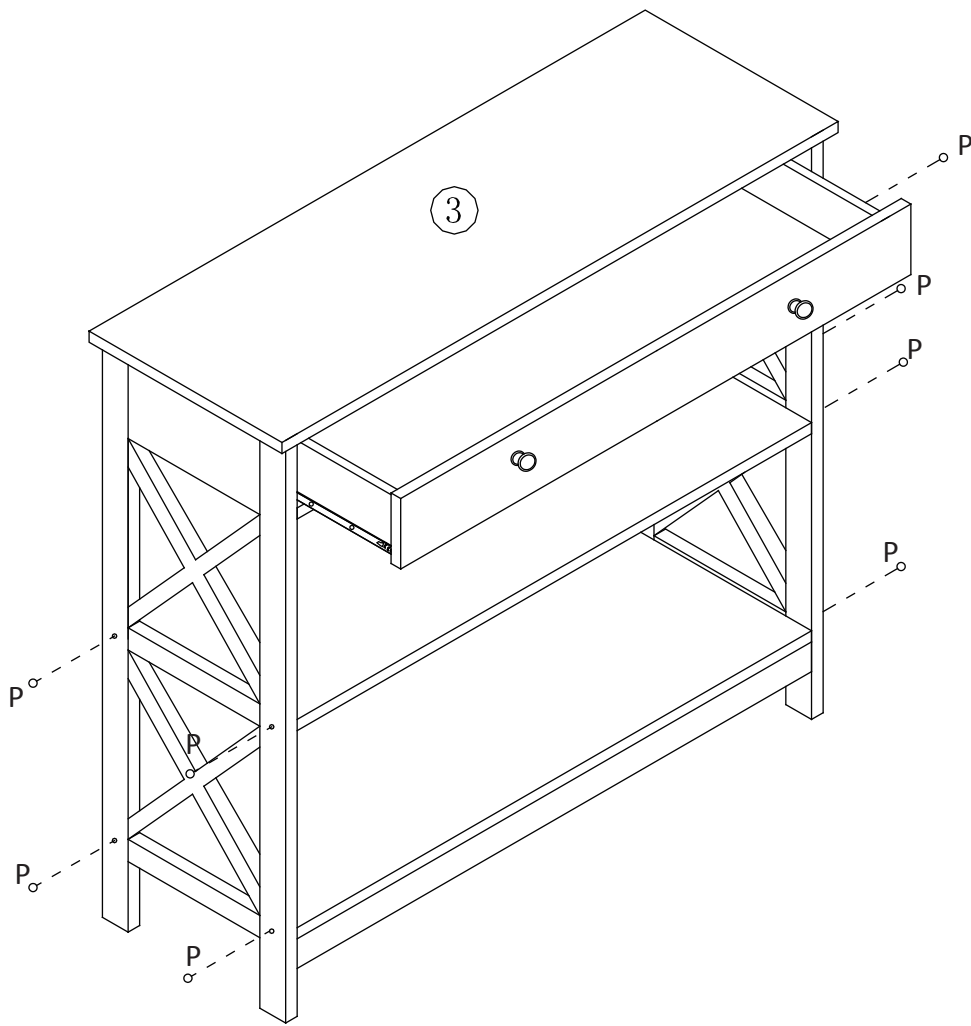
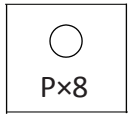
## Step 5



## Step 6



# Step 7



# Step 8

