

WARNING!!

Children have died from furniture tipover. Tip restraints have been included with this product; you must install the tip restraints according to these instructions in order to minimize the risk of furniture tipping. If you have any questions about this product or the tip restraint, please send us an email at tip_restraint_help@Noblehousefurniture.com

NEVER allow children to climb or hang on furniture , including drawers or cabinet doors.

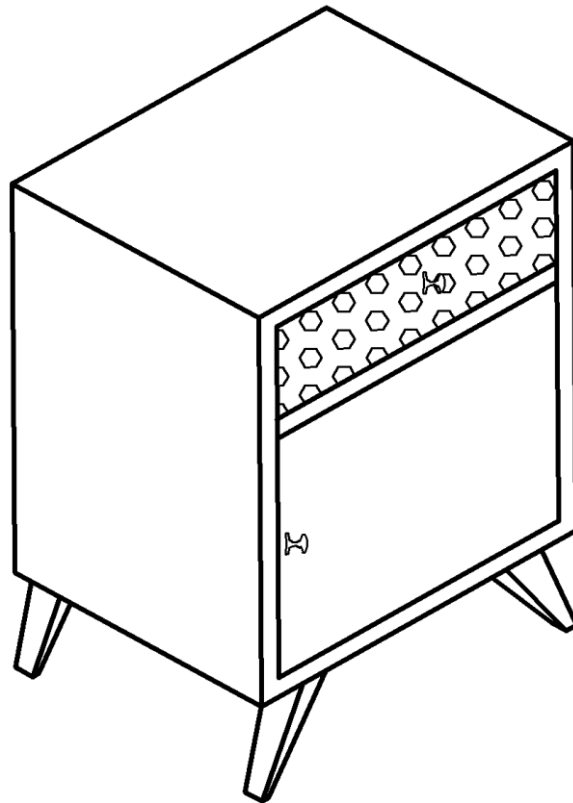
In addition to installing the restrains. To help prevent tip-over
1. **NEVER** put a **TV** or other heavy objects on top of this product”.
2. Do not stand on the products.

⚠ WARNING	
	<p>Children have died from furniture tipover. To reduce the risk of furniture tipover:</p> <ul style="list-style-type: none">• ALWAYS install tipover restraint provided.• NEVER put a TV on this product.• NEVER allow children to stand, climb or hang on drawers, doors, or shelves.• NEVER open more than one drawer at a time.• Place heaviest items in the lowest drawers.• Do not defeat or remove the drawer interlock system. <p style="text-align: center;"><i>This is a permanent label. Do not remove!</i></p>
	

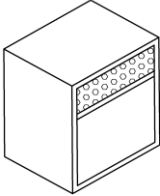
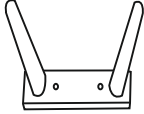
Assembly Instructions

Caution : You must read this before you proceed

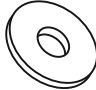
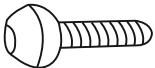

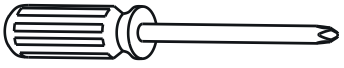
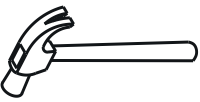
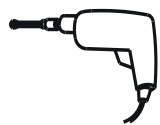
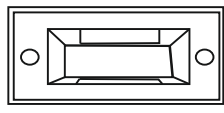
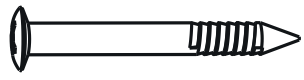


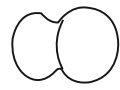
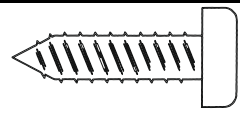
BEDSIDE



Parts List

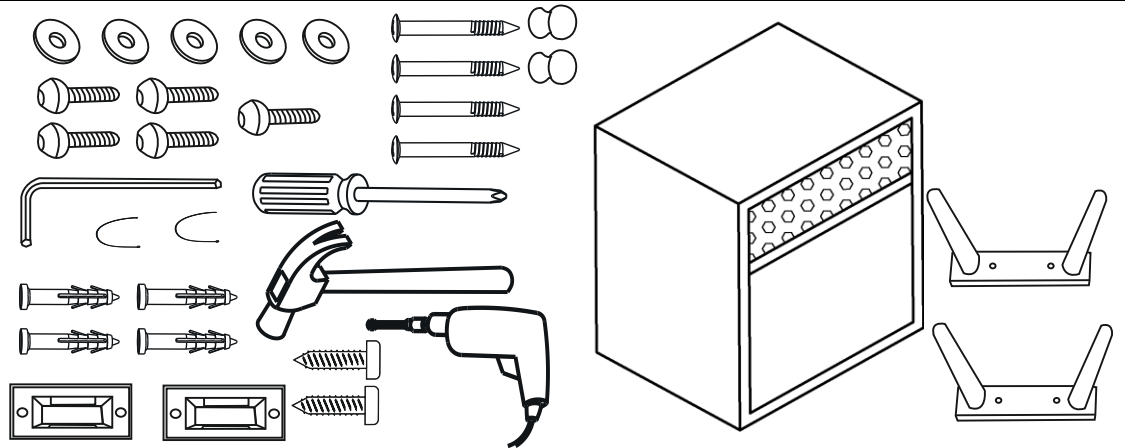
Label	Picture	Description	QTY
A		BEDSIDE TOP	1
B		LEG	2

Hardware

Label	Picture	Description	QTY
①		Washer (20mmx20mm)	5
②		Bolt (M15mmx35mm)	5
③		Allen key	1
④		Screwdriver (Not Provided)	1
⑤		Hammer (Not Provided)	1
⑥		Power Drill (Not Provided)	1
⑦		Bracket (45mmx20mm)	2
⑧		Wall Plug Screw (M8mmx28mm)	4
⑨		Wall Plug (M5mmx32mm)	4
⑩		Restraint Strap	2
⑪		Knob	2
⑫		Machine Screw	2

Assembly Preparation

Before Beginning Assembly:



- Read instructions, cover to cover -



- Have 2 adults on hand for assembly -



- Do not assemble on flooring or carpet -



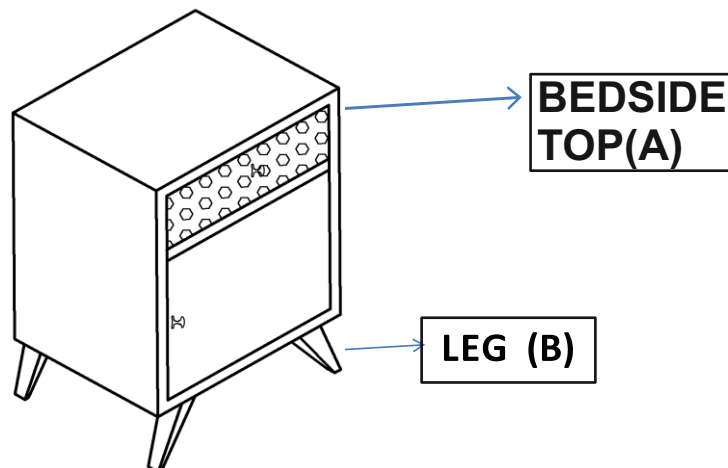
- Assemble on a clean non-marring surface (packing foam) -



- Save all packaging until finished -

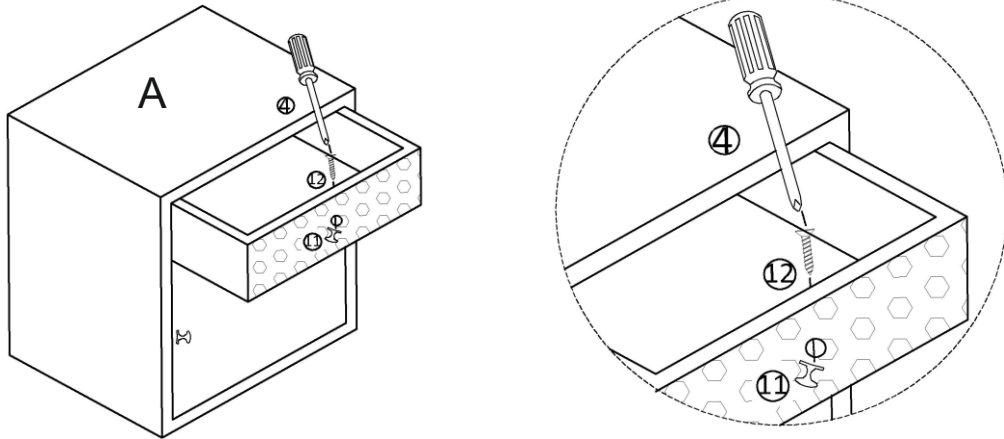
Assembly Steps

Overview



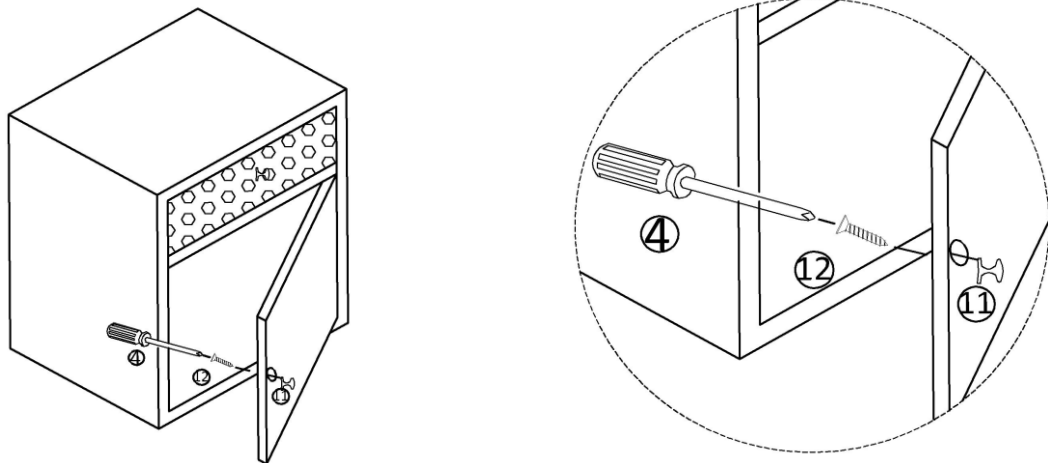
This Bedside has multiple parts and may require up to some 30 minutes assemble. The above picture is to help you in putting various parts in to perspective . Please read through the instruction below to familiarise yourself with the parts and steps before assembly.

Step 1



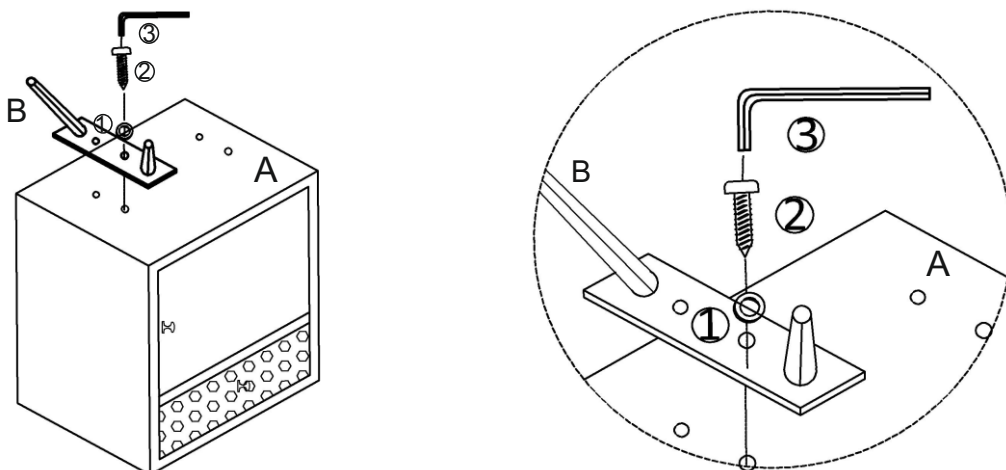
With the help of your adult partner, carefully stood the Bedside (A). Install the Knob (11) on the drawers with the help of Screwdriver (4) and Machine Screw (12) as pictured above.

Step 2



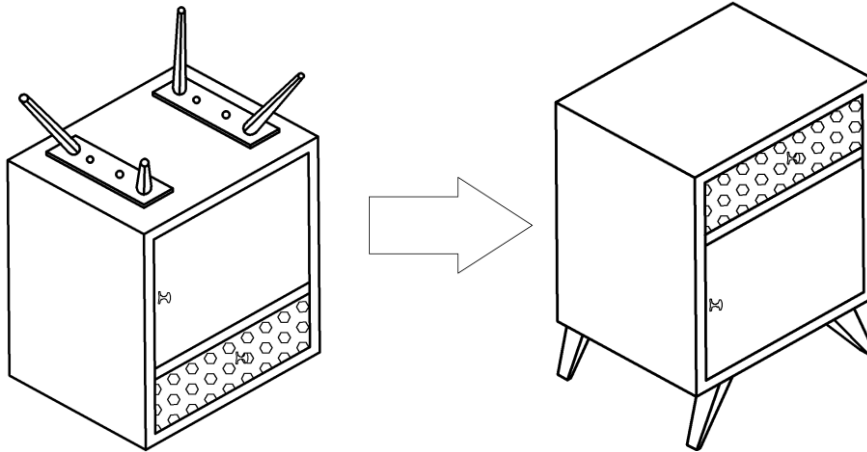
Install the Knob (11) on the door with the help of Screwdriver (4) and Machine Screw (12) as the pictured above.

Step 3



With assistance from your adult partner, place the Bedside Top (A) face down as picture, on clean, surface. As shown in "Step3" picture attach Leg (B) to Bedside top (A) using Washer (1), Bolt (2) with Allen Key (3).

Step 4



Repeat "Step3" to assemble the other Leg (B) to Bedside top (A). Upon assembly of all the Legs (B), flip the Bedside ,as shown in "Step4".

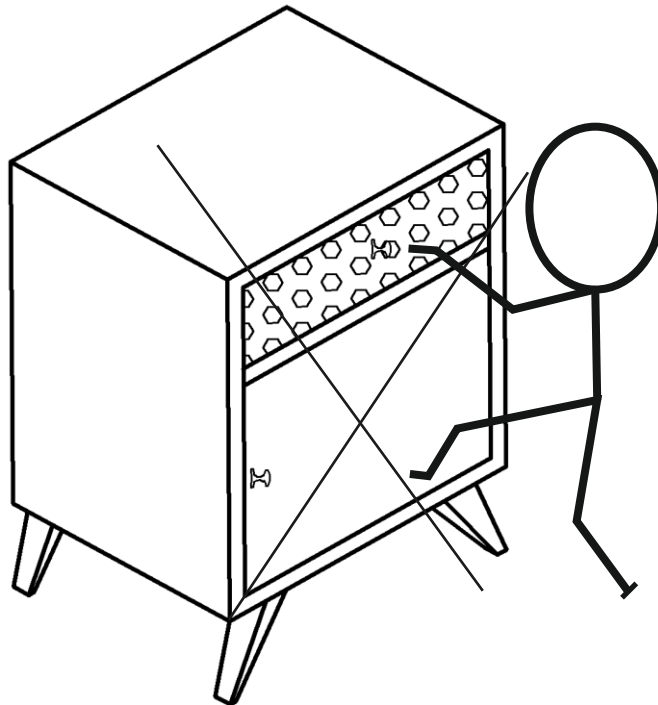
Tipover Restraint Device Installation Instruction

WARNING

Serious or fatal crushing injuries can occur from tripping furniture.

To help prevent tip-over : ALWAYS secure this furniture to the wall using tipover restraint device.

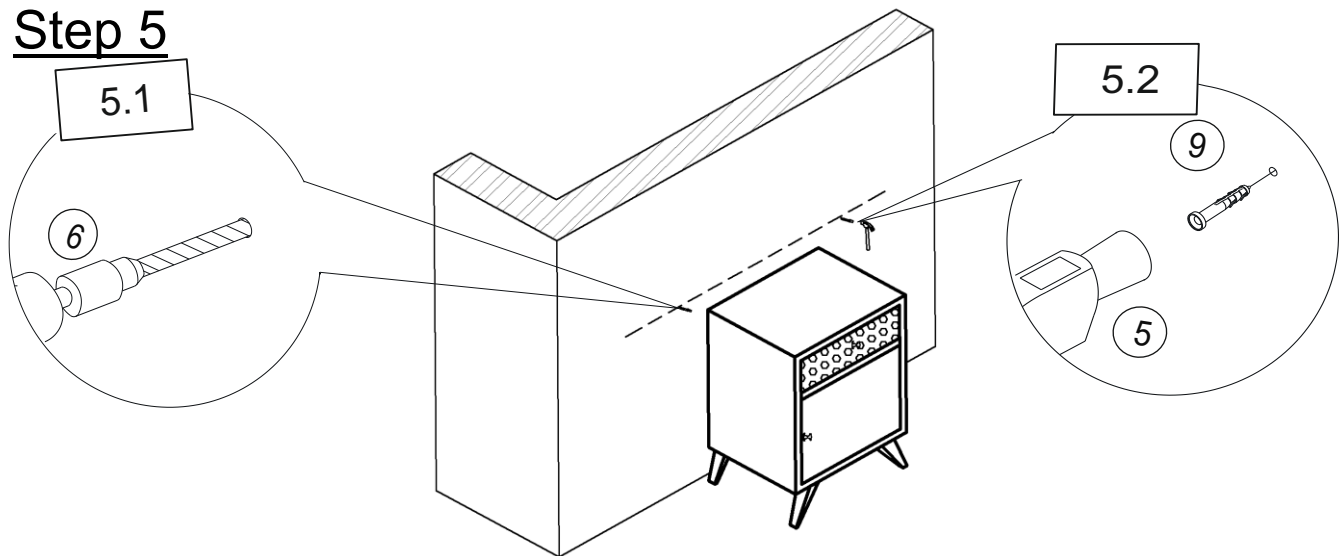
See products instruction for more ways to help prevent furniture tip-over



Usage For Tipover Restraint Device:

To secure Bedside against wall, attach two Brackets (⑦) on wall and 2 are already attached to the products, use Restraint Strap(⑩)to connect the Brackets (⑦)

Step 5



5.1) Drill two holes on wall at same height as Bracket (7) on Bedside (A) with Power Drill (6).

You can mark these points in the ways as below:

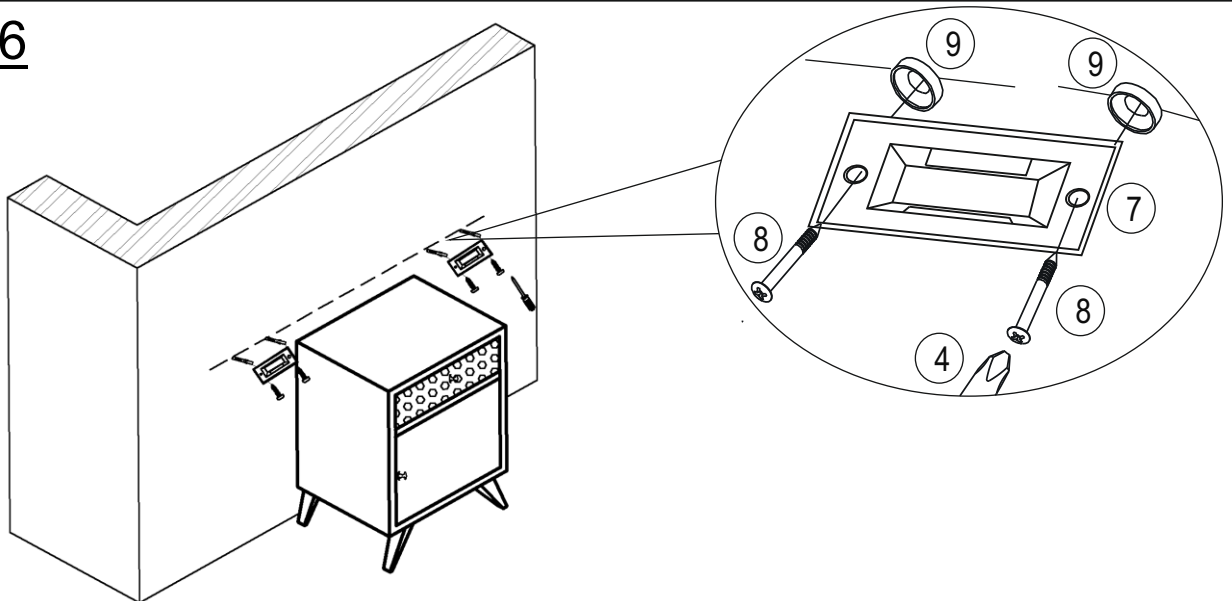
1) Move the Bedside back to the wall. Mark two point same height as Bedside on the wall.

Note :The brackets need to be secured to solid ,load bearing surface . Please use a stud finder (not supplied) if needed to locate the wall frame.

2) Measure the height of the Brackets (7) with ruler/measuring tape and mark on wall to keep them accurate and same height.

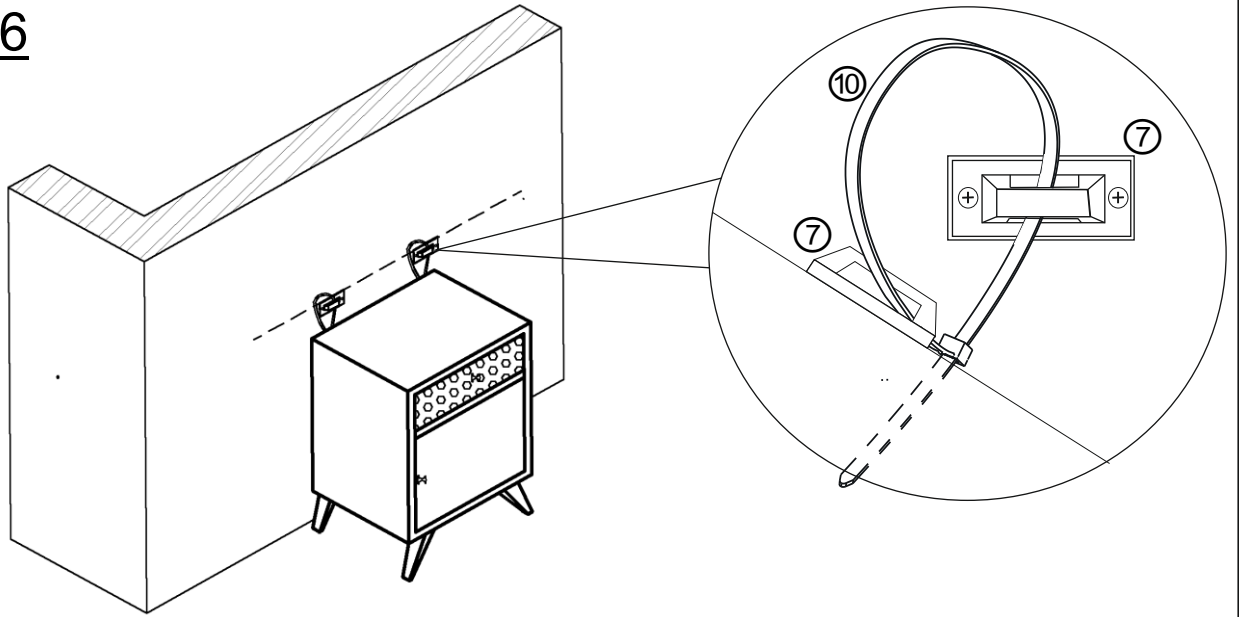
5.2) Insert Wall Plugs (9) into drilled holes on wall with Hammer (5).

Step 6



Attach Brackets(7) to Wall Plugs (9) using Wall Plug Screws (8) with Screwdriver (4).

Step 6



Move Bedside to the wall. Pull the Restraint Straps (⑩) through the Brackets(⑦) on the wall and Bedside one by one, and pull the Restraint Strap (⑩) tight.

This Bedside is now ready to use.

Caution : This Bedside can only be used on flat, level surface.