

**Tips!**

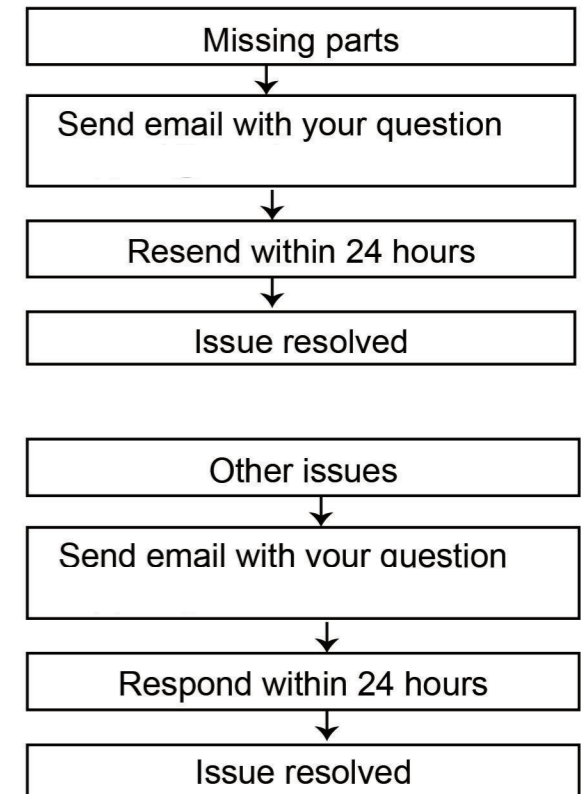
Check all the components & screws before assembly. **Do not install in case part is missing, contact us to get.**

**Return Policy**

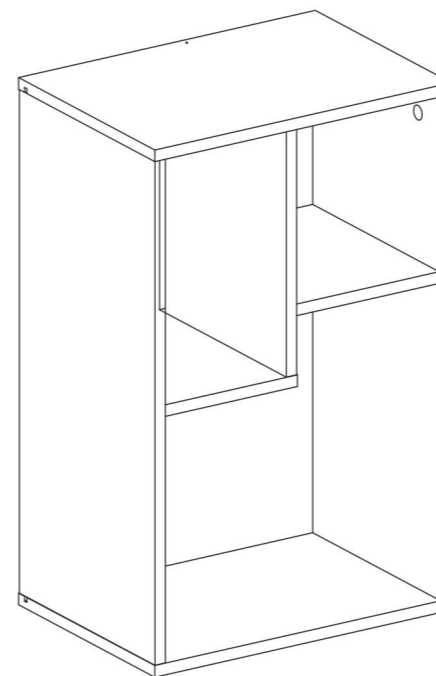
We believe you will absolutely love your new item. But if for some reason you want to return, please contact us directly before you decide to return your product. Our customer service organization can answer most concerns and assist you with any questions you may have about your new item, please email us first

The item must be returned within 30 days of delivery for a full refund. The item must be returned in good condition, in original box, with all original proof of purchase, parts and accessories.

**Trouble shooting:**

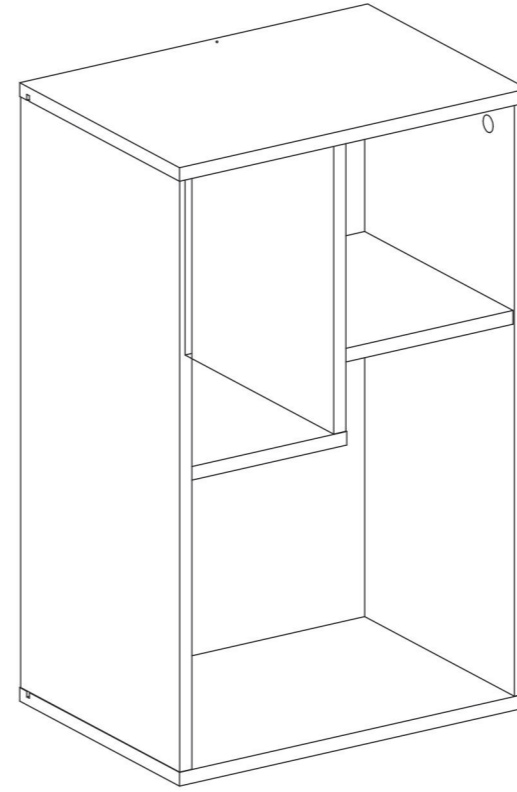
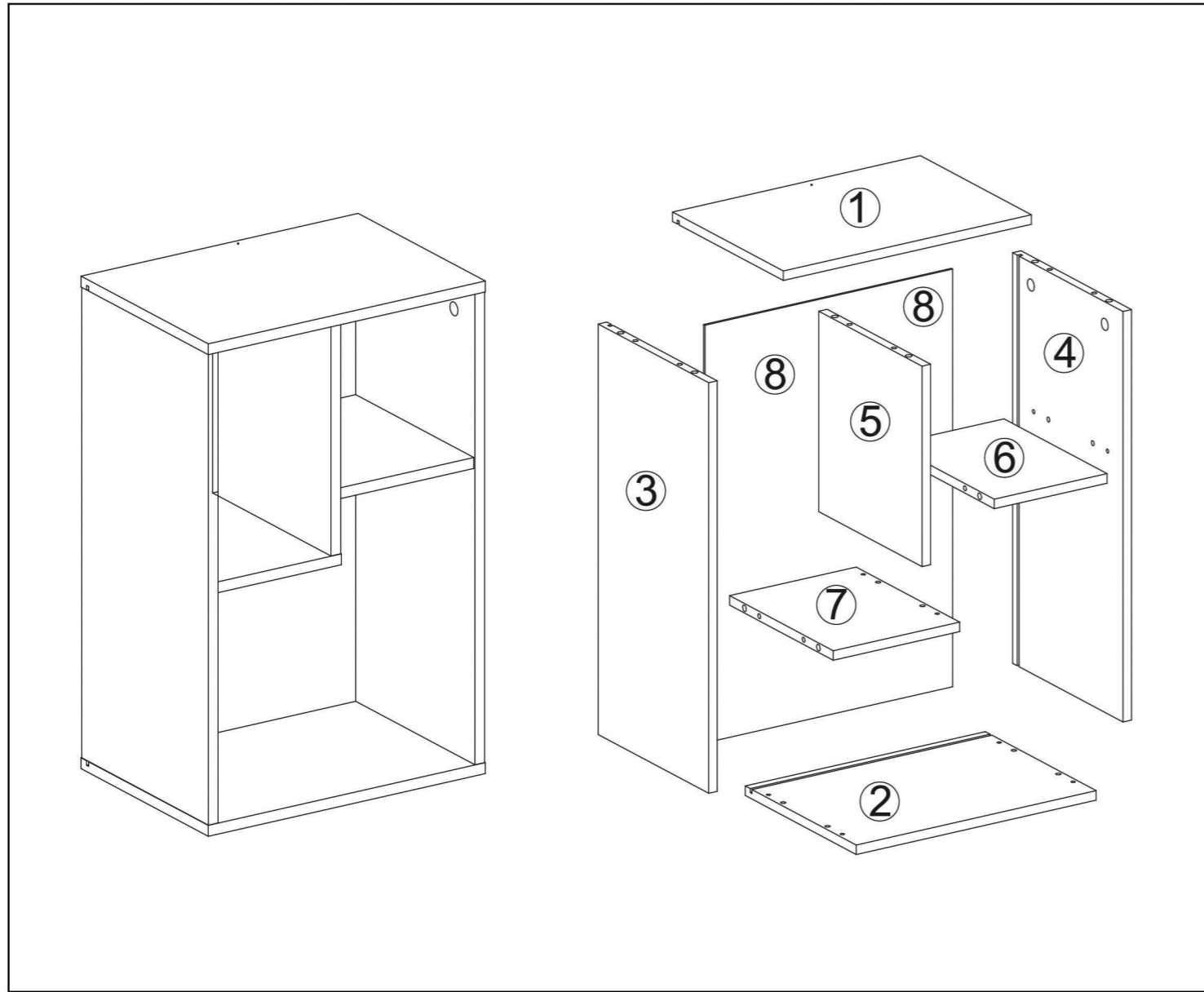


We control manufacturing and distribution ourselves, ensure the quality.



Item Description: Bookcase

Dimension: 30\*24\*53 cm



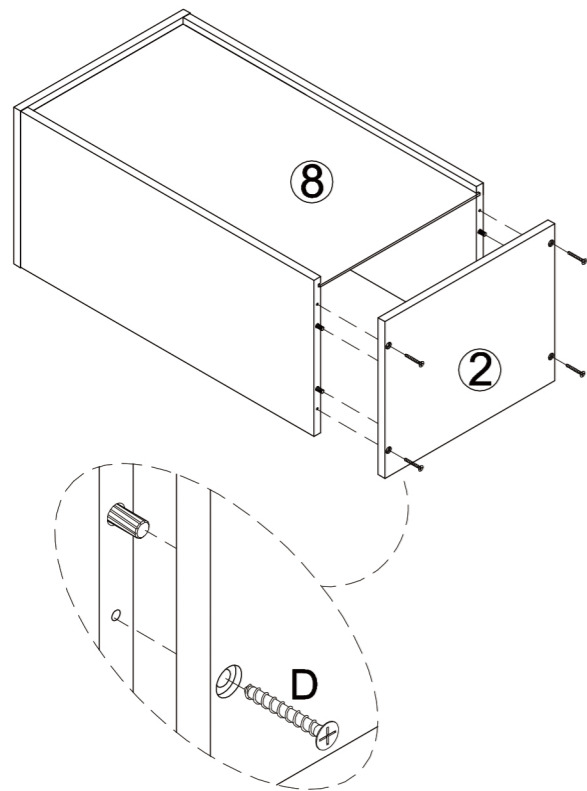
# Bookcase

Dimension: 30\*24\*53 cm

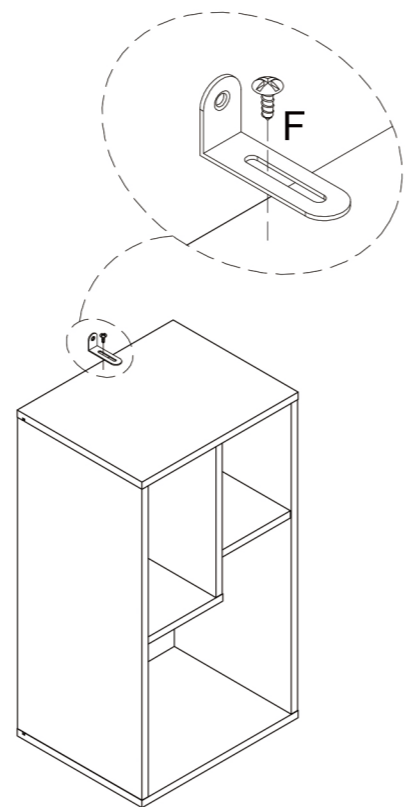
Components					
1		1	2		1
3		1	4		1
5		1	6		1
7		1	8		1

Screws&Tools		
A		12pcs
B		12pcs
C		18pcs
D		6pcs
F		1pc
G		1pc

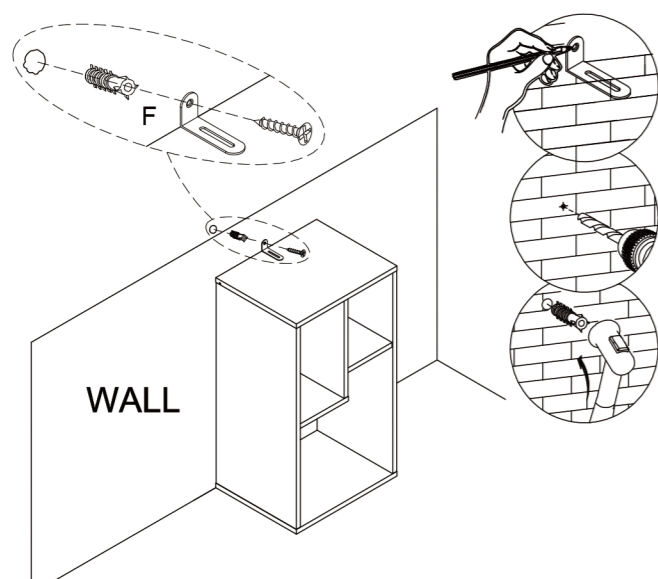
### Step 13



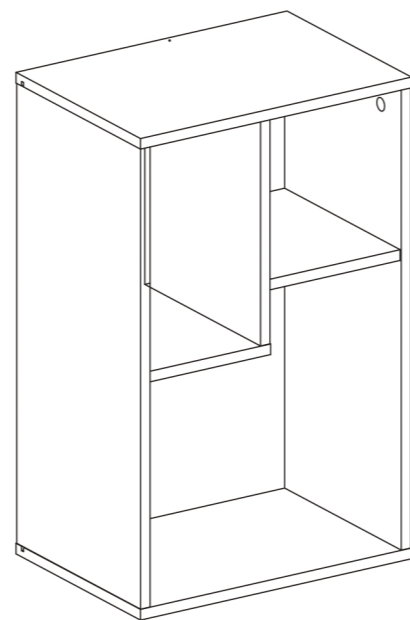
### Step 14



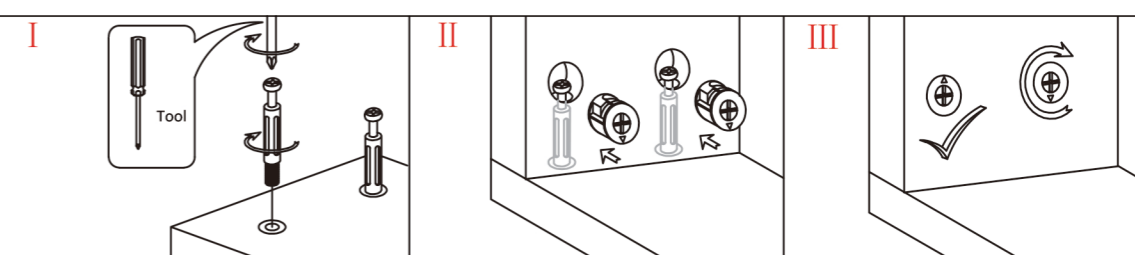
### Step 15



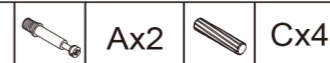
### Step 16



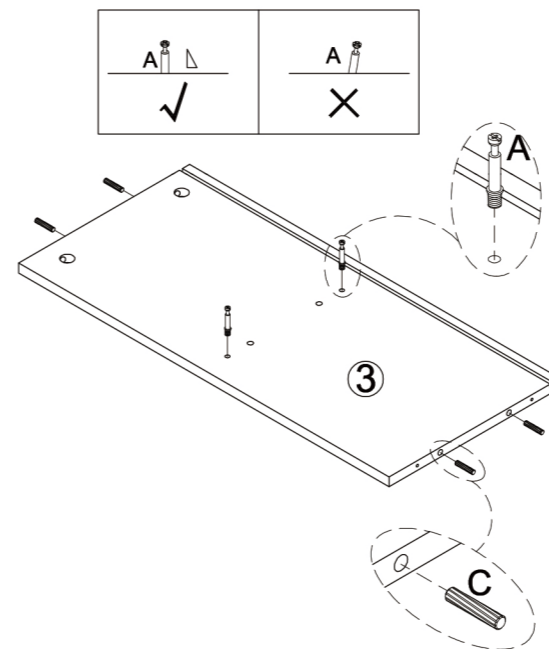
"A&B" Hardware Assembly example



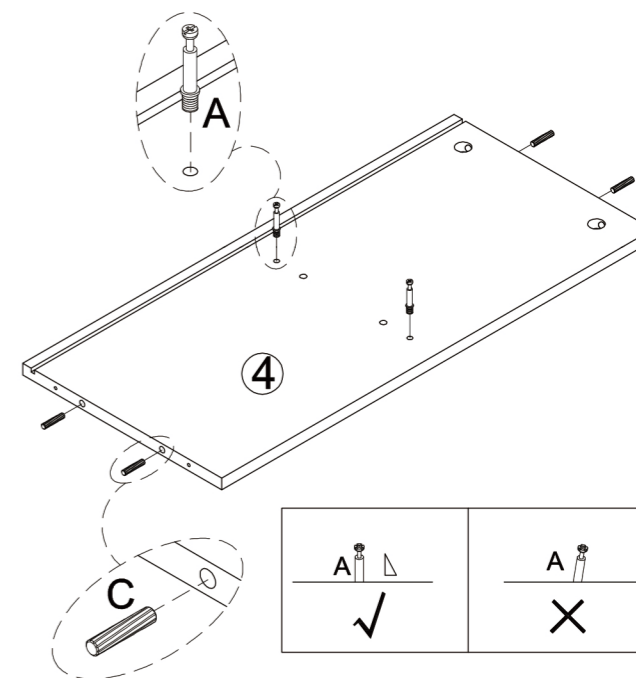
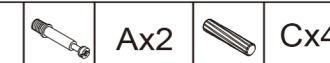
### Step 1



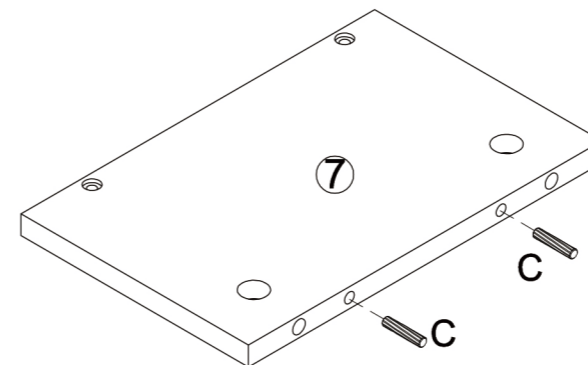
NOTICE: Mind the directions of the groove while installation.



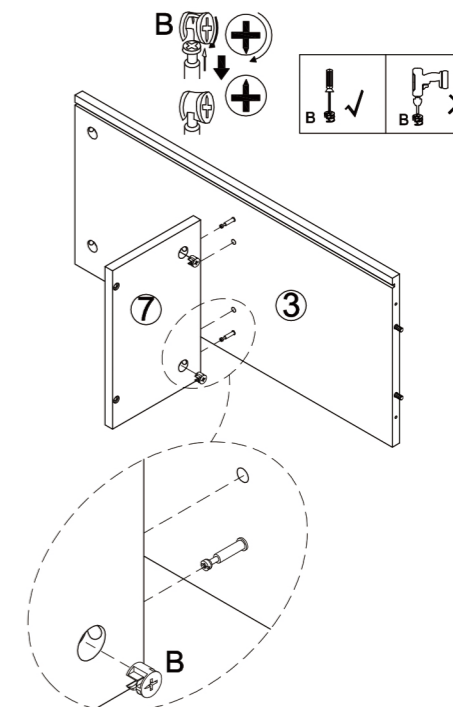
### Step 2



### Step 3

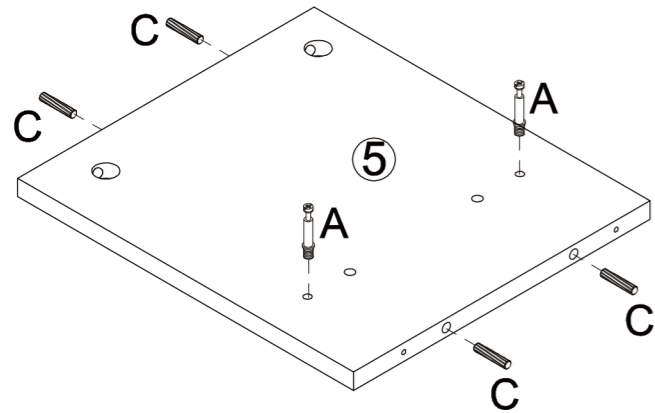
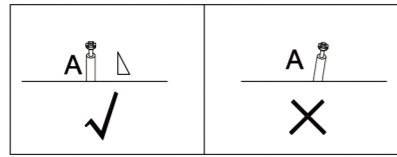


### Step 4



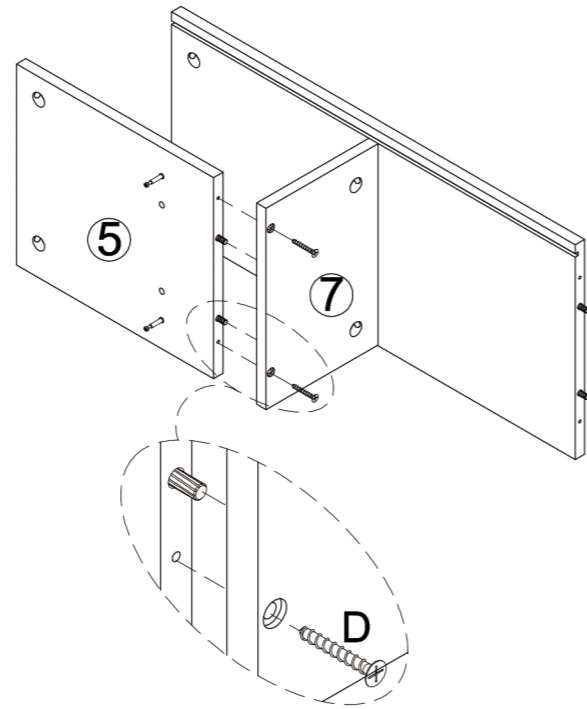
### Step 5

Ax2 Cx4



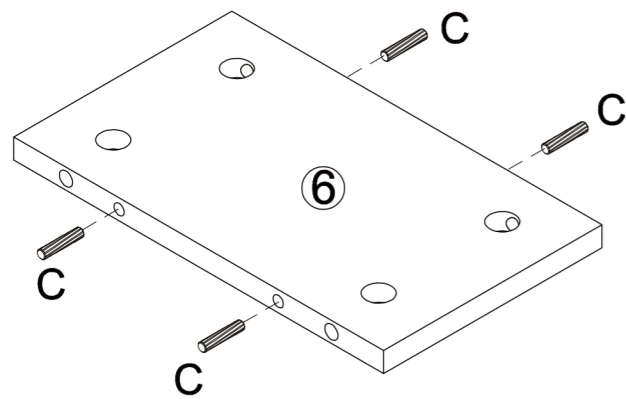
### Step 6

Dx2



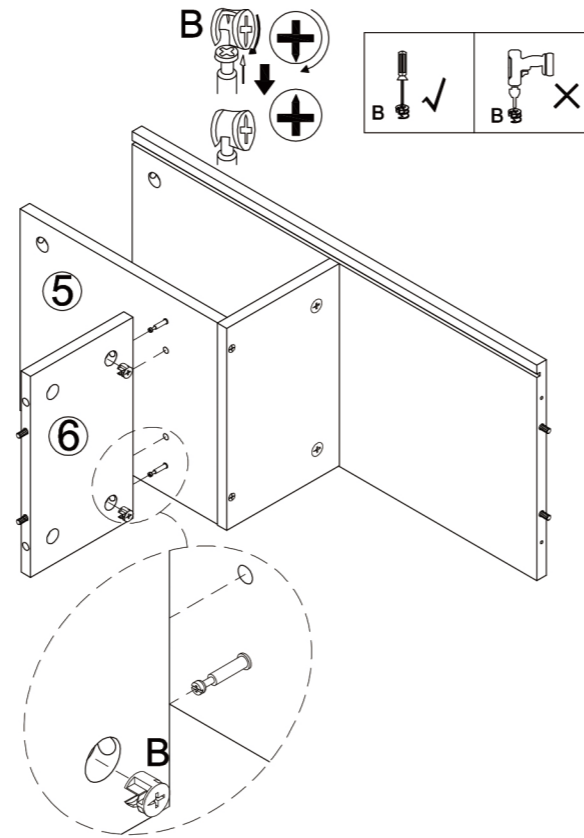
### Step 7

Cx4



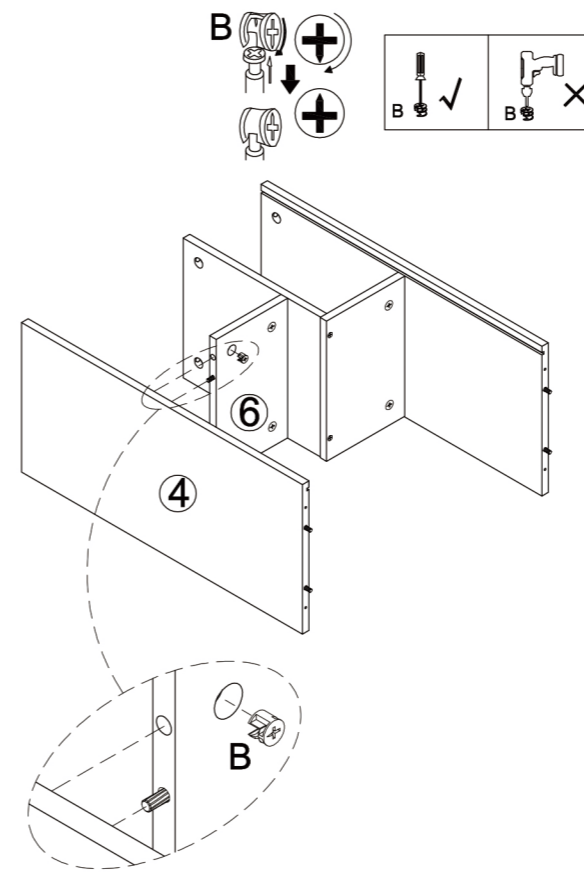
### Step 8

Bx2



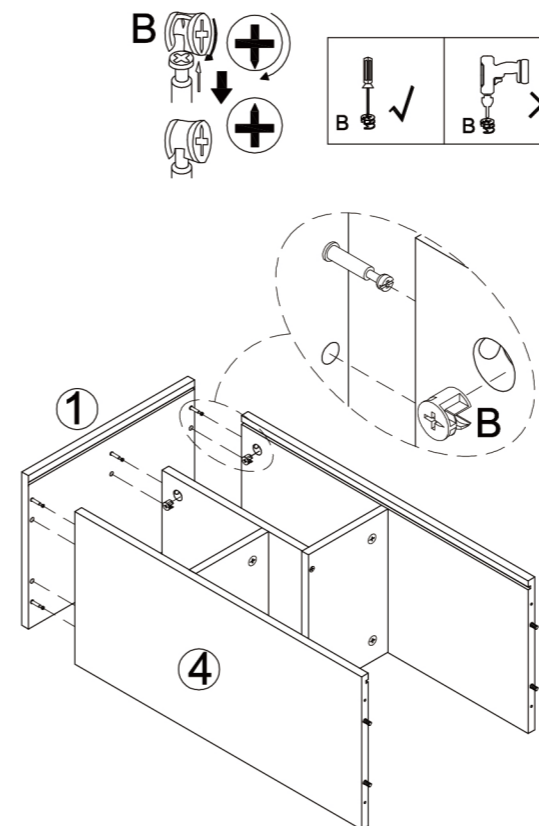
### Step 9

Bx2



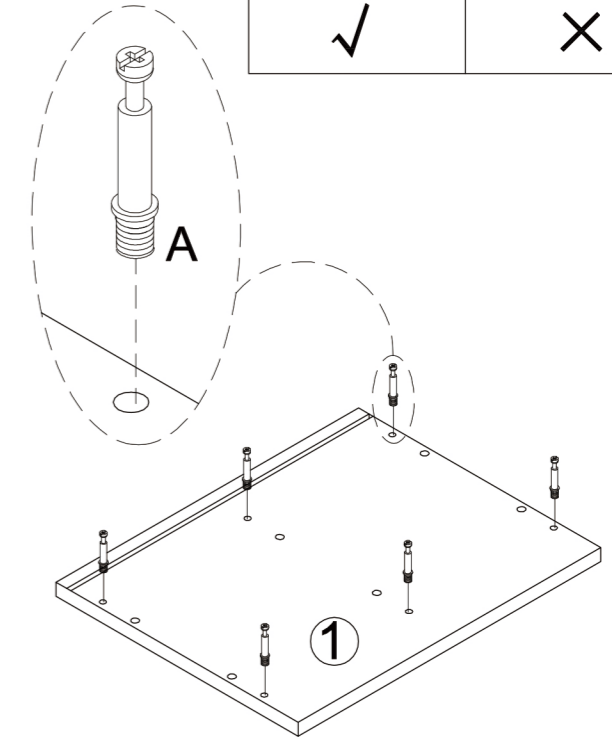
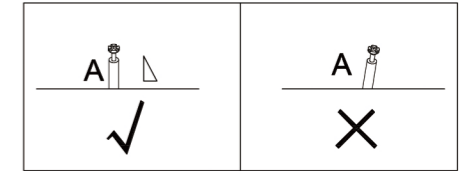
### Step 11

Bx6



### Step 10

Ax6



### Step 12 Check and tighten all screws

