



Post Install Kit

Assembly and Installation Instructions

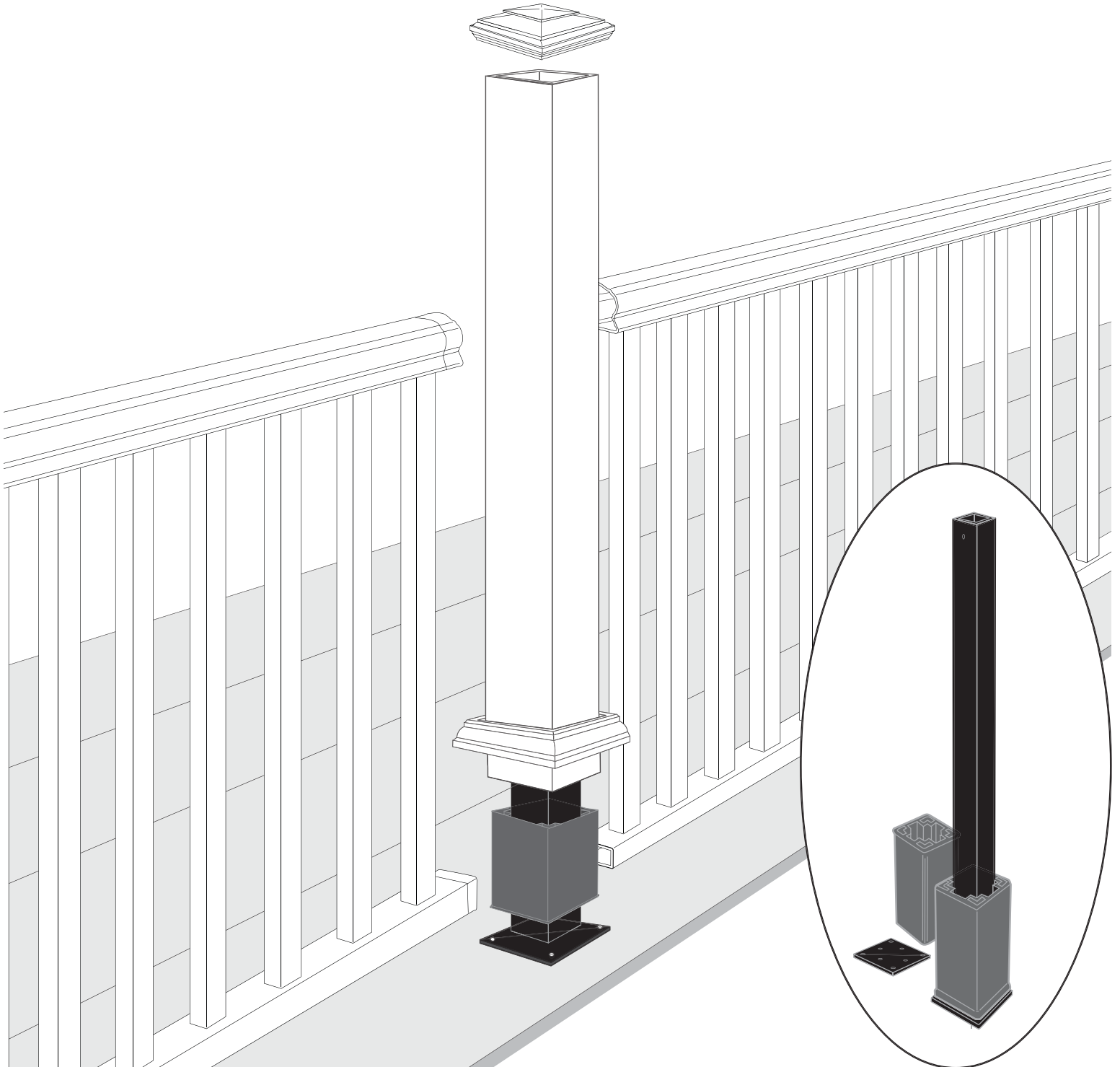
PLEASE READ OWNER'S MANUAL COMPLETELY
BEFORE ASSEMBLING YOUR POST INSTALL KIT.

Owner's Manual

Version

1.0

For Use With All Vinyl Railing



Thank you for choosing the Barrette Outdoor Living Post Install Kit. Please read the instructions completely before assembling your rail. Retain manual and your dated sales slip for future reference and warranty claims.

Before You Begin...

Make sure your project meets local building codes before beginning installation.

Material Checklist:

- Tape Measure
- Level
- Hacksaw or Chopsaw
- Rubber Mallet
- Drill
- Drill bits
- Socket Wrench (5/16" Socket)
- Wood Blocks
- Steel Washers (For Shims)
- Grade 5 Steel 5/16" Bolts with nuts galvanized per ASTM F2329
- Pencil
- Masonry Anchors

ATTENTION: Before you assemble the kit:

PLEASE TAKE A COMPLETE INVENTORY OF ALL PARTS USING THE KIT CONTENTS.

DO NOT ATTEMPT TO ASSEMBLE THE KIT IF PARTS ARE MISSING OR DAMAGED.

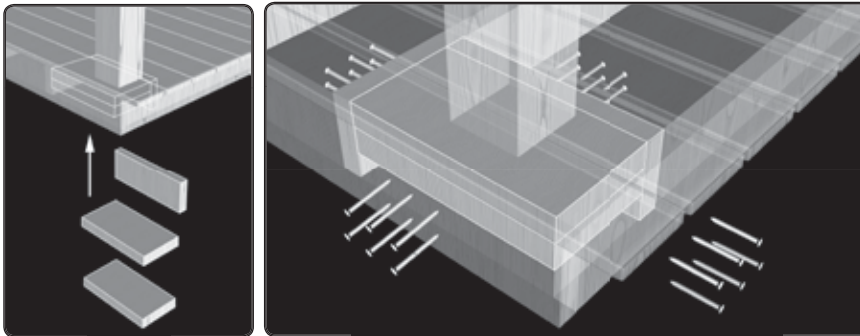
Please do not return the product to the store, for assistance or replacement parts call:

1-800-336-2383

For Wood/Composite Deck Applications:

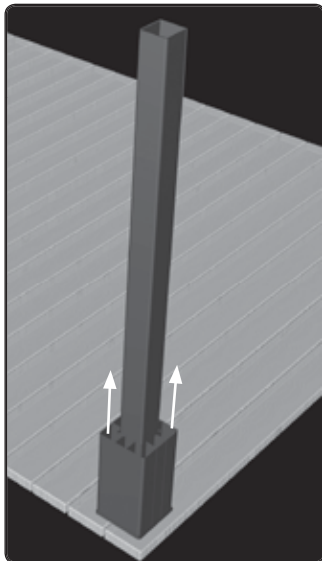
Install blocking at post locations

- 1** a. Layout railing installation to determine post locations
- b. Beneath all post locations install at least two 2x8 blocks using at least three #10x3 1/2" deck screws penetrating through the joists at least 1 1/2" into the blocks (see diagram for details)



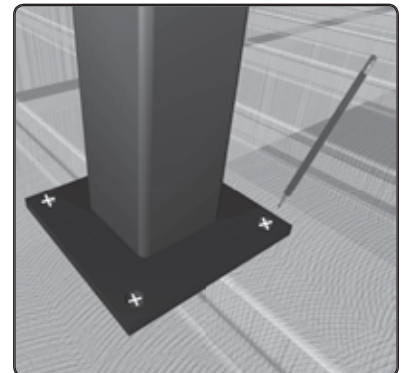
Prepare to Attach

- 2** Raise bottom insert temporarily to allow room to fasten steel post to deck



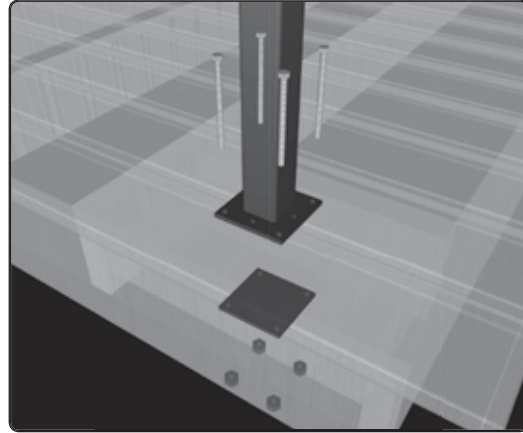
Mark Holes

- 3** Mark holes through the bottom plate of steel post onto deck surface – remove steel post and drill 3/8" hole in all four marks through the deck board and blocking



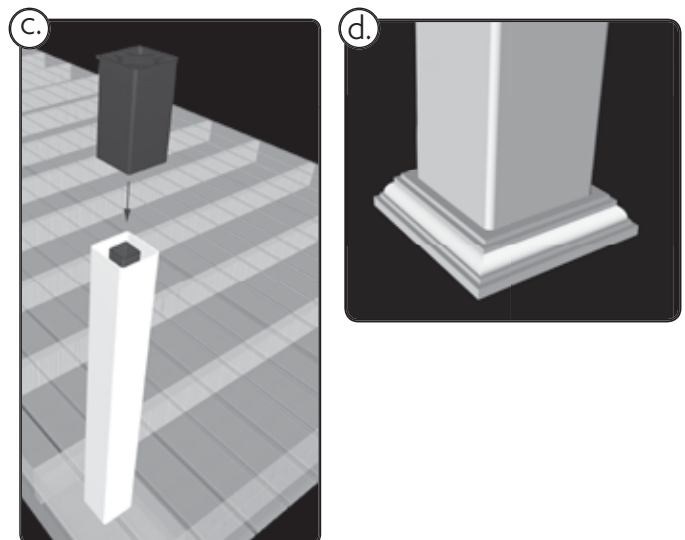
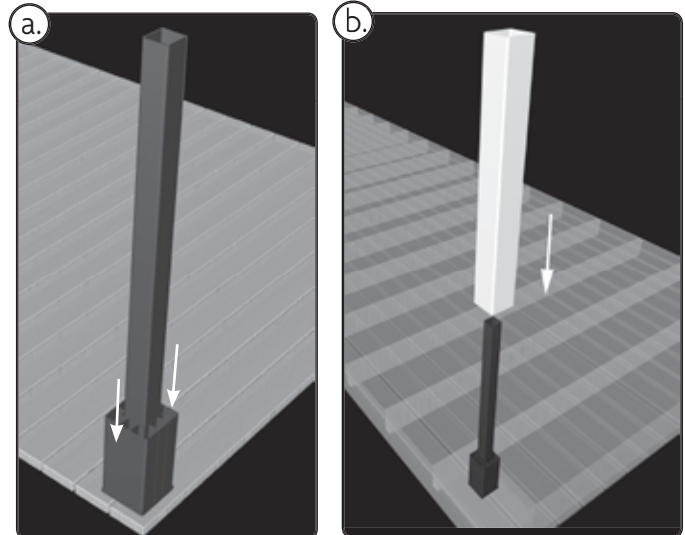
Attaching Post

- 4**
- Purchase 5/16" diameter grade 5 bolts and nuts galvanized per ASTM F2329 requirements approximately 1" longer than the distance between steel mounting plates (minimum 5").
 - Push 5/16" bolts through post plate and attach separate bottom plate from beneath deck surface using purchased nuts (posts can be leveled as needed by using steel washers as shims).



Finishing

- 5**
- Return bottom insert to original position
 - Slide vinyl post sleeve over post insert
 - Slide second post insert into the tip of the vinyl post sleeve over the steel post
 - Install base trim around post sleeve at deck surface before installing railing



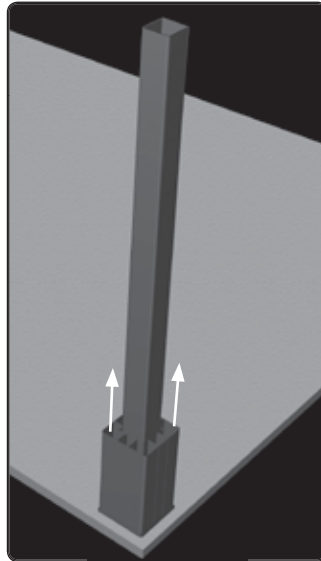
For Concrete Applications:

Determine Post Locations

1 Layout railing installation to determine post locations

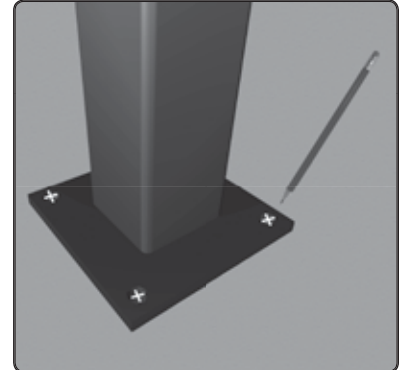
Prepare to Attach

2 Raise bottom insert temporarily to allow room to fasten steel post to concrete



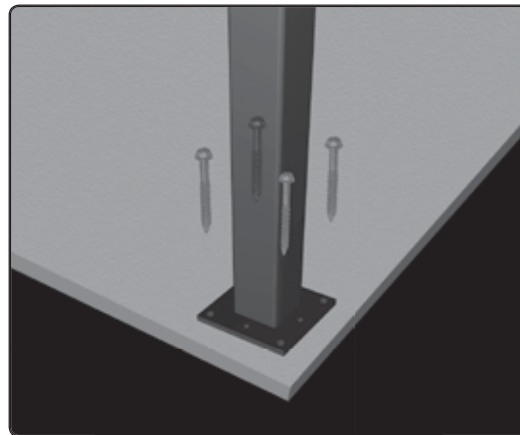
Mark Holes

3 Mark holes through the bottom plate of steel post onto concrete surface – remove steel post and drill 3/8" hole in all four marks into the concrete.



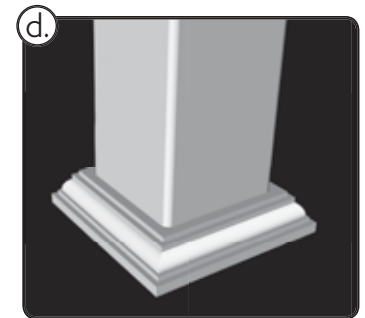
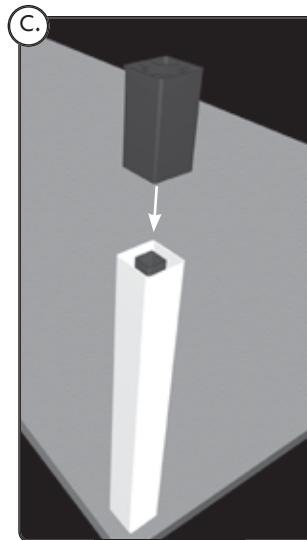
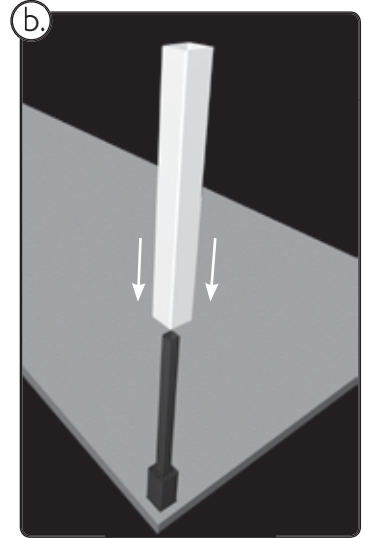
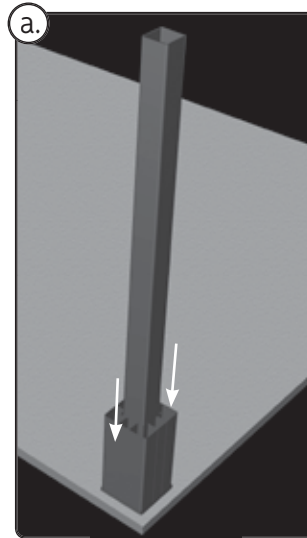
Attaching Post

4 Push masonry anchors (not included) through post plate and attach to concrete surface (posts can be leveled as needed by using steel washers as shims). Follow masonry anchor installation instructions. NOTE: The separate steel bottom plate will not be used for concrete applications.



Finishing

- 5**
- Return bottom insert to original position
 - Slide vinyl post sleeve over post insert
 - Slide second post insert into the tip of the vinyl post sleeve over the steel post
 - Install base trim around post sleeve at deck surface before installing railing





Transferable Limited Lifetime Warranty

What is covered: Barrette Outdoor Living warrants vinyl and aluminum products to include; vinyl and aluminum fence, vinyl and aluminum railing and plastic lattice against defects or workmanship for as long as you own your home. Barrette Outdoor Living will at its option replace the product in question with new product of the same or equivalent value at no charge. Barrette Outdoor Living warrants these products against peeling, flaking, splintering, corrosion, rusting or abnormal discoloration under normal use and service per ASTM D 2244. This warranty extends to the original purchaser or transferee as specified herein on the products noted above. Separate and distinct warranties for hardware and other products are not covered under this warranty.

What this warranty does not cover: This limited warranty does not cover damage resulting from accident, unreasonable use, neglect, alteration, improper service, improper installation, acts of God or any other causes not arising out of defects in materials or workmanship. Additionally, this warranty does not cover costs of installation, removal, reinstallation or surface mold and mildew created by excessive environmental conditions. Any service or repair provided outside the scope of this limited warranty shall be at Barrette Outdoor Living's rate and terms then in effect.

What do we do to correct the problems? Should your Barrette Outdoor Living product prove defective under warranty, reference the website or call the phone number listed below. Your problem will be assigned a tracking number and an authorized Barrette Outdoor Living representative will contact you to arrange a convenient time to schedule an onsite inspection, or request pictures, if need be. If after inspection product is deemed to be manufacturer defect we will make arrangements to rectify the issue. You must have proof of your purchase in order for the problem to be corrected.

Transferee Coverage: Warranty coverage will be extended to one transferee on the above listed products with the following limitations. Transferee must obtain an original or copy of the initial sales receipt (with proof of date) from the previous owner(s). Additionally, if fence is purchased from a builder or installer, documentation must be supplied that names the product installed on property and date of transfer.

THIS WARRANTY IS IN LIEU OF ALL CONDITIONS OR WARRANTIES, EXPRESS, OR IMPLIED INCLUDING BUT NOT LIMITED TO ANY IMPLIED CONDITIONS OR WARRANTIES OR MERCHANTABILITY OR FITNESS FOR A PARTICULAR PURPOSE ON THE PART OF Barrette OR ITS LICENSORS, SOME STATES DO NOT ALLOW THE EXCLUSIONS OF IMPLIED WARRANTIES OR LIMITATIONS OF HOW LONG AN IMPLIED WARRANTY LASTS, SO THE ABOVE LIMITATIONS MAY NOT APPLY TO YOU. IF THE PRODUCT IS DEFECTIVE PER THE ABOVE COVERAGES, YOUR SOLE AND EXCLUSIVE REMEDY SHALL BE REPAIR OR REPLACEMENT AS PROVIDED ABOVE. BARRETTE AND ITS LICENSORS SHALL NOT BE LIABLE FOR ANY DAMAGES, LOSS OF USE, LOSS OF PROFITS OR INTERRUPTION OF BUSINESS WHETHER SUCH ALLEGED DAMAGES ARE BASED IN WARRANTY, TORT, CONTRACT, OR INDEMNITY. SOME STATES DO NOT ALLOW THE EXCLUSION OF LIMITATIONS OF INCIDENTAL OR CONSEQUENTIAL DAMAGES, SO THE ABOVE LIMITATIONS MAY NOT APPLY TO YOU. This warranty is valid only in the United States and Canada.

Refer to www.BarretteOutdoorLiving.com for specific details about warranty limitations.
1-800-336-2383

To register your product, please visit: www.barretteoutdoorliving.com/product-registration

