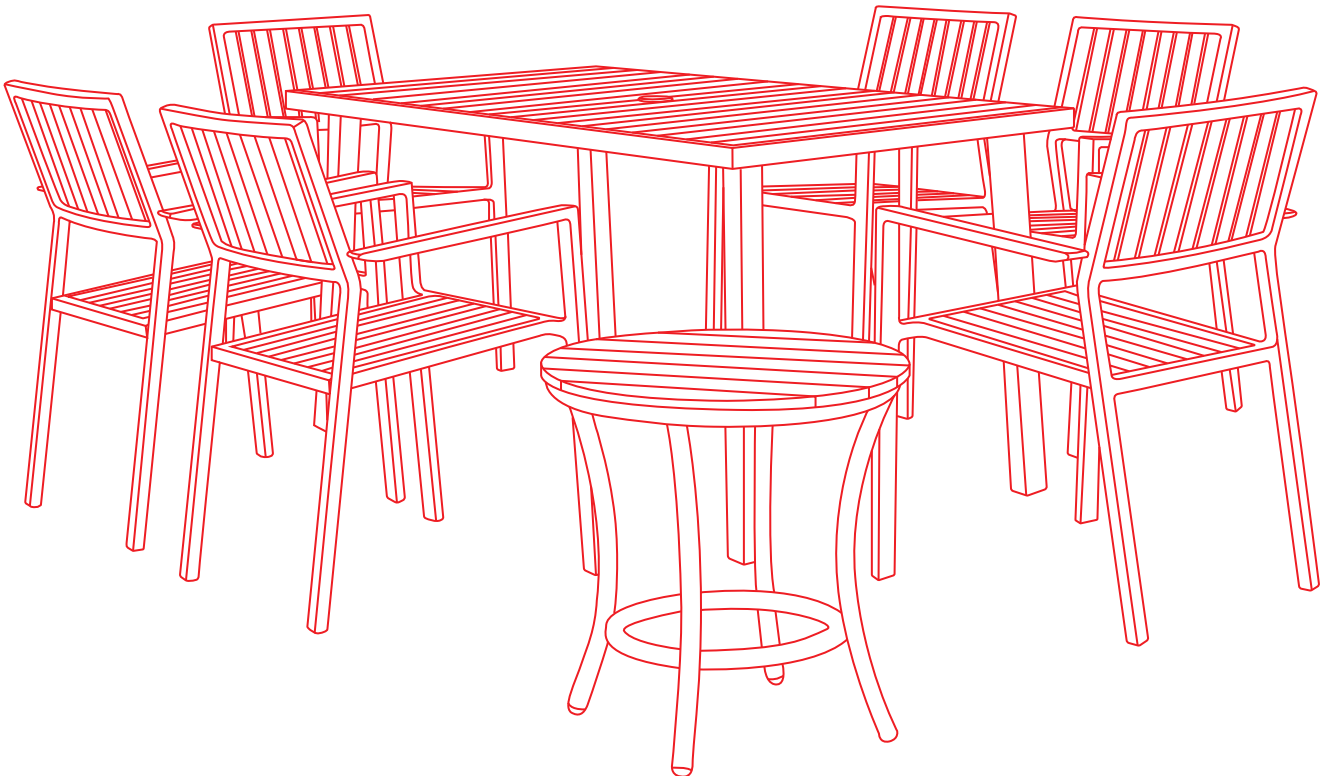


Thank you very much
for purchasing our *Patio Dining Sets*.

OWNER'S MANUAL

Patio Dining Sets



Safety precautions

⚠ WARNING

- Please read and understand this entire manual before attempting to assemble or install the product.
- Some parts may contain sharp edges. Please wear protective gloves when assemble or install the product.
- Assemble the item on a soft, non-abrasive surface such as carpeting to avoid damage.
- Keep all children and pets away from assembly area. Children and pets should be supervised when they are in the area of the sofa set construction.
- Item is heavy. Please handle with care. Two or more people are required for this assembly.

CAUTION

- Chair is for seating purpose only. Do not stand on or use any part of this item as a step ladder.
- Recommended maximum sitting weight for the chair set is 220lbs/100kgs. Please do not exceed the weight limitations of this item.
- Firmly secure all bolts, screws and knobs before use.
- Reconfirm that all bolts, screws, and knobs are secure every 90 days.
- Do not use or store this item in the proximity of open flame or flammable/combustible chemicals.
- If any parts are missing, broken, damaged, or worn, stop using this product until repairs are made and/or factory replacement parts are installed.

ATTENTION

- Before assembling of product, compare every part with parts list. If any part is missing or damaged, do not attempt to assemble the product and contact us immediately.
- We care about every customer's using experience, please feel free to chat us if have some advice, efficient solution would be offered soon.
- Recommend to use waterproof furniture cover for entire patio dining set when out of use to keep them longer performance.

Warranty Coverage Requirements:

- Pictures of the damaged parts.
- The name or number of your product.
- Please gather all of this information you contact us.
- Do not use this item in a way inconsistent with the manufacturer's instructions as this could void the product warranty.

HARDWARE

a1

M6*20



72/PCS

a2

M6*25



12/PCS

a3

Stell Washer



84/PCS

a4

Wrench

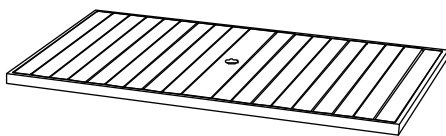


2/PCS

PARTS

A1

Table Top



1/PC

A2

Table Leg



4/PCS

B1

Coffe Table Top



1/PC

B2

Coffe Table Leg



4/PCS

B3

Frame



1/PC

C1

Armrest Left



6/PCS

C2

Armrest Right



6/PCS

C3

Back



6/PCS

C4

Seat

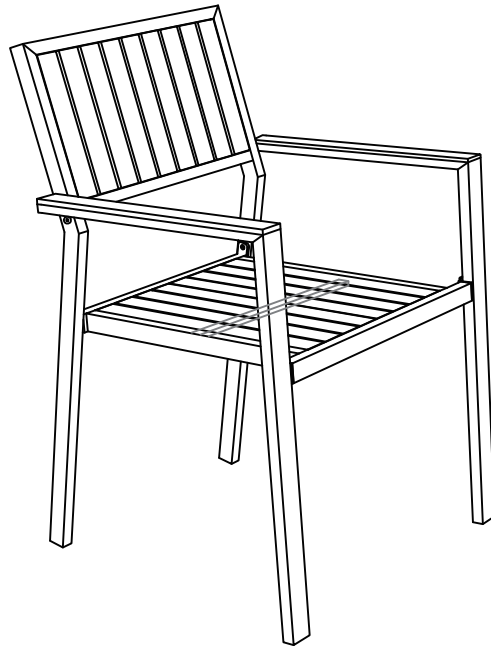


6/PCS

Instructions **Patio dining table**

- The patio dining set is delivered with two boxes. There are six chairs in one box, and one table and one coffee table in another box.

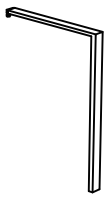
Number



X 6

Parts

C1 Armrest Left



6/PCS

a1

M6*20



48/PCS

C2 Armrest Right



6/PCS

a2

M6*25



12/PCS

C3 Back



6/PCS

a3

Stell Washer



60/PCS

C4 Seat



6/PCS

a4

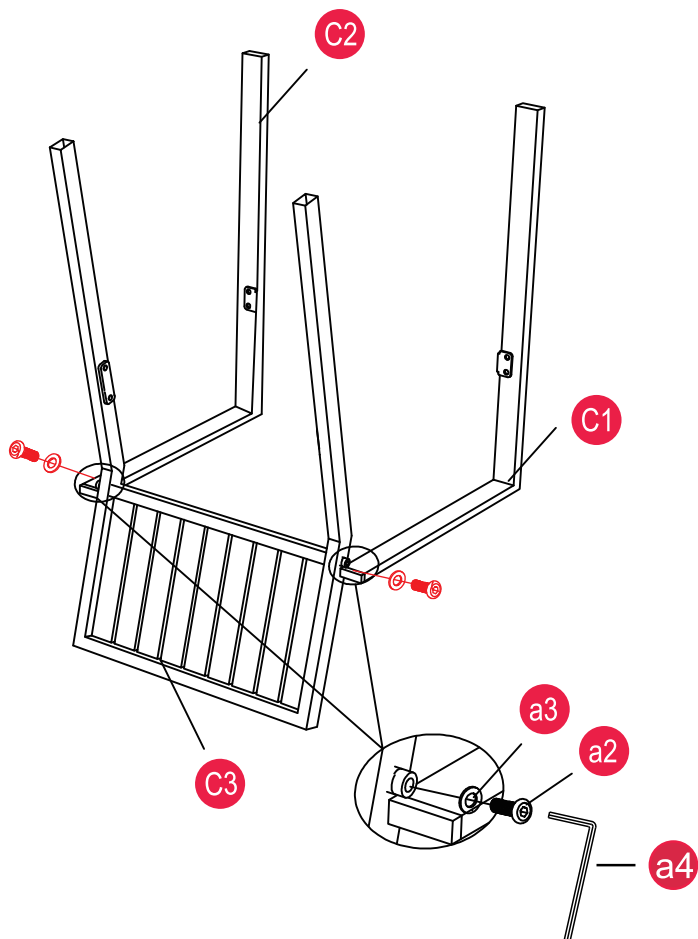
Wrench



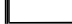


1/PC

Instructions **Patio dining table**

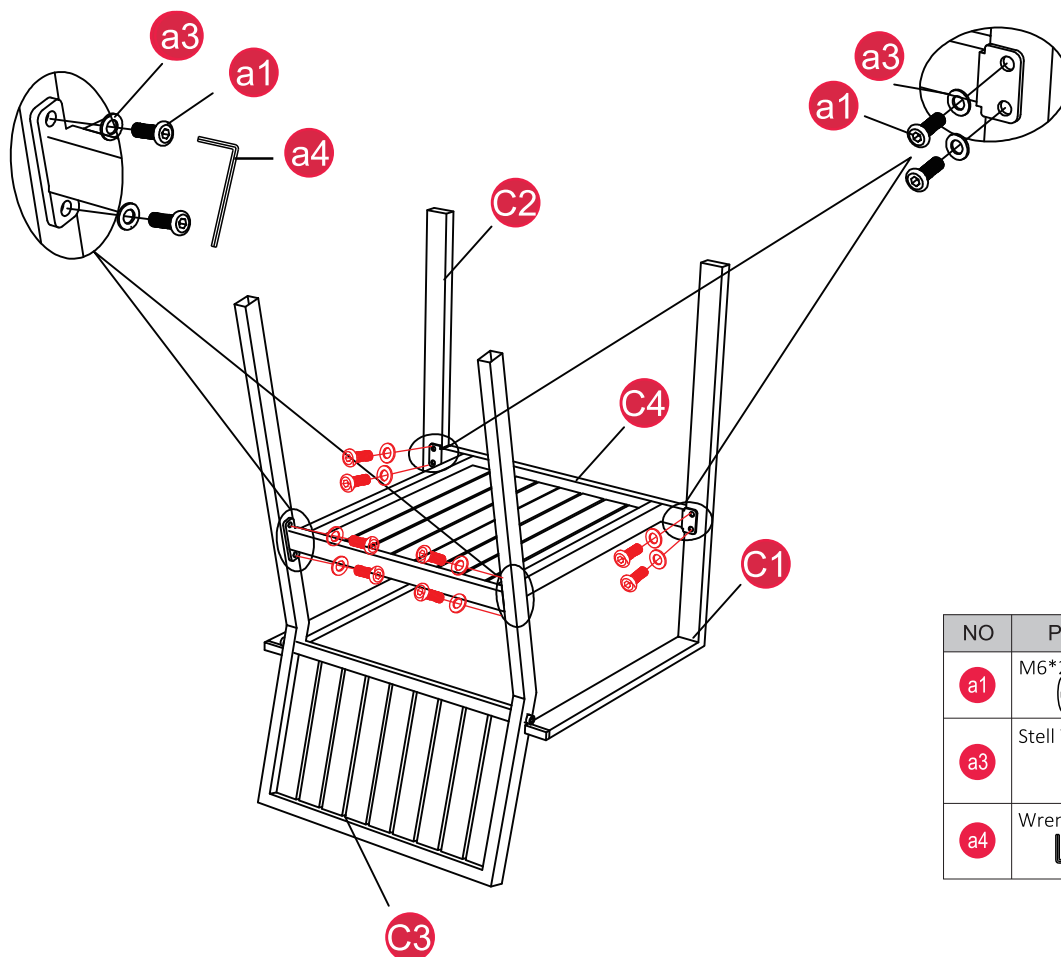
■ Step1



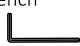


NO	Part List	QTY
a2	M6*25mm 	2 PCS
a3	Stell Washer 	2 PCS
a4	Wrench 	1 PC

NOTICE: Please assemble the item on a soft, non-abrasive surface such as carpeting to avoid damage.

Step 2



NO	Part List	QTY
a1	M6*20mm 	8 PCS
a3	Stell Washer 	8 PCS
a4	Wrench 	1 PC

