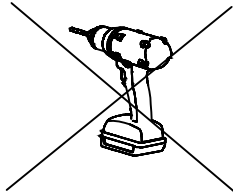


# ASSEMBLY INSTRUCTIONS-IMPORTANT:

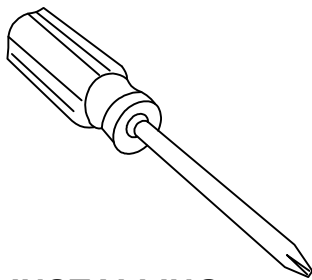
Carefully unpack&identify each component before attempting to assemble,Refer to parts list.Please take care when assembling the unit and always set the parts on a clean, soft surface.

Check screws,nuts and bolts periodically (or every 6 months). Tighten if necessary.



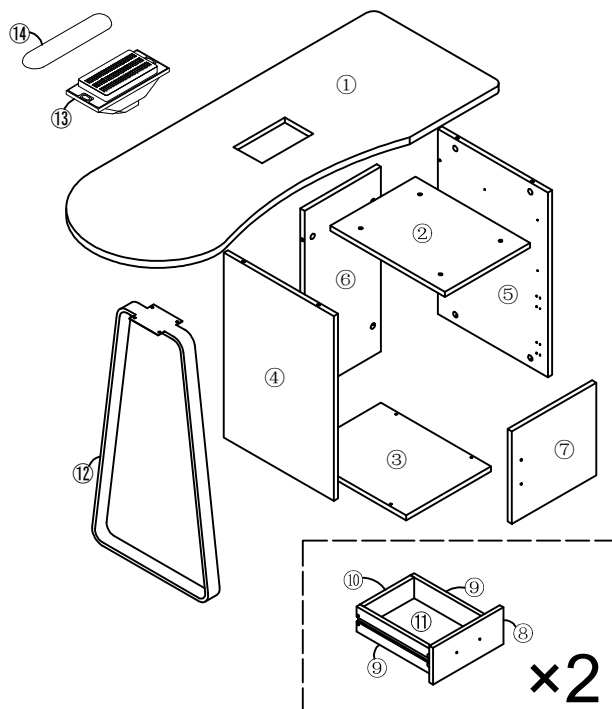
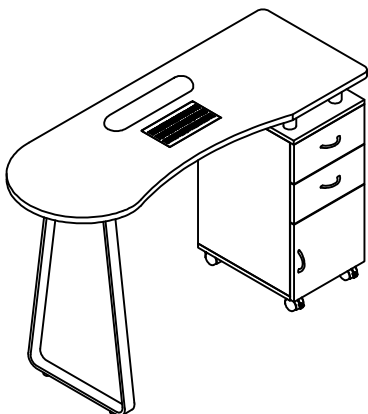
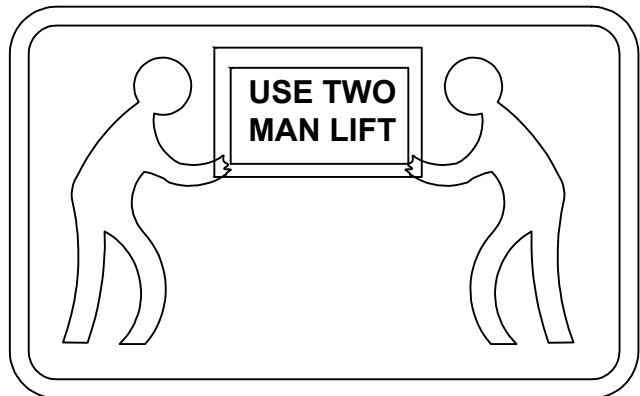
**WARNING:DO NOT USE POWER TOOLS**

**ADDITIONAL TOOL REQUIRED:**



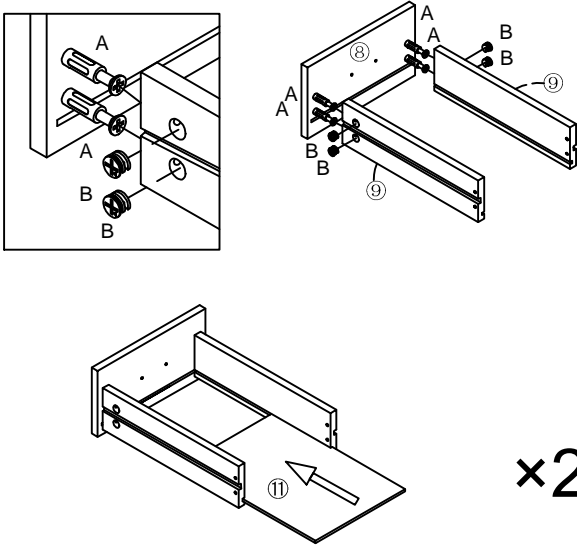
**WHEN INSTALLING ACCESSORY"A",GENTLY APPLY FORCE,NOT TOO TIGHE.**

**CAUTION!**





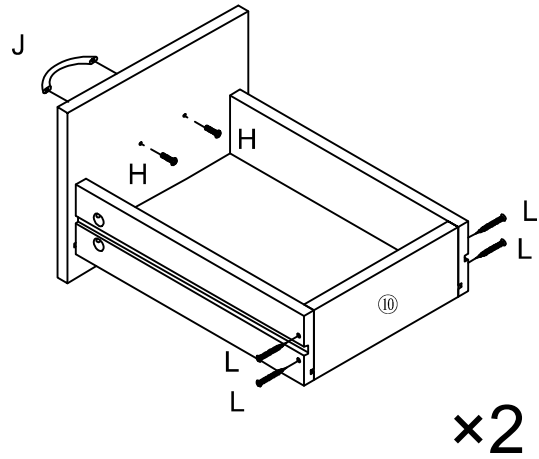
STEP:1



x2

Ax8  
Bx8

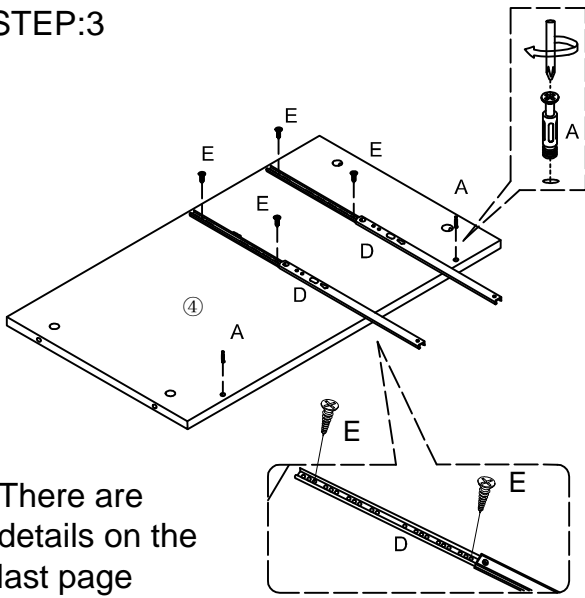
STEP:2



x2

Hx4  
Jx2  
Lx8

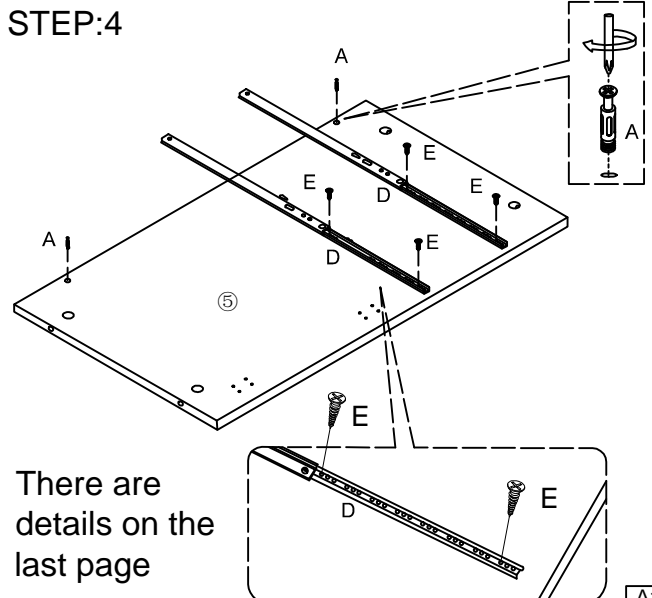
STEP:3



There are details on the last page

Ax2  
Dx2  
Ex4

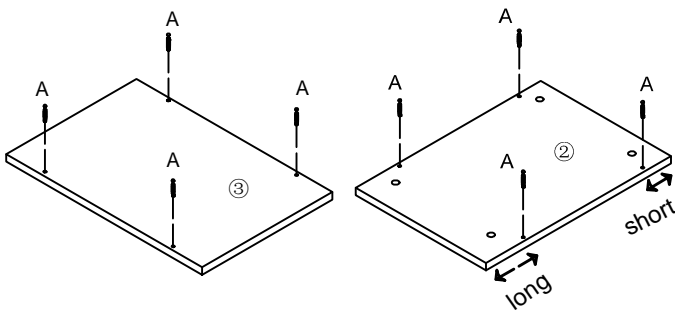
STEP:4



There are details on the last page

Ax2  
Dx2  
Ex4

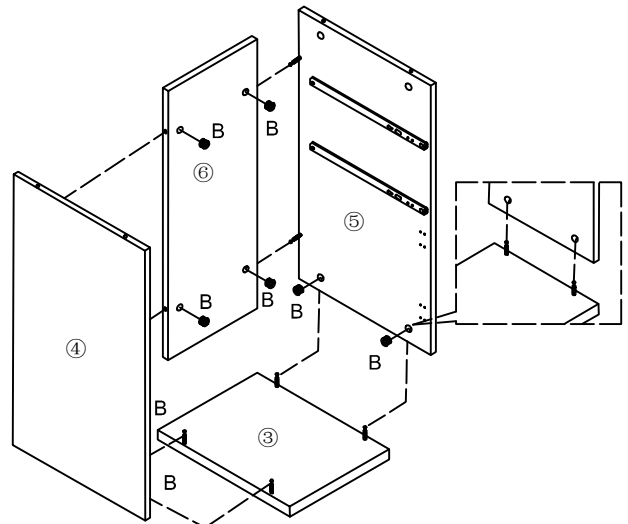
STEP:5



Note: The length of the hole, long installed in the front, short installed in the back

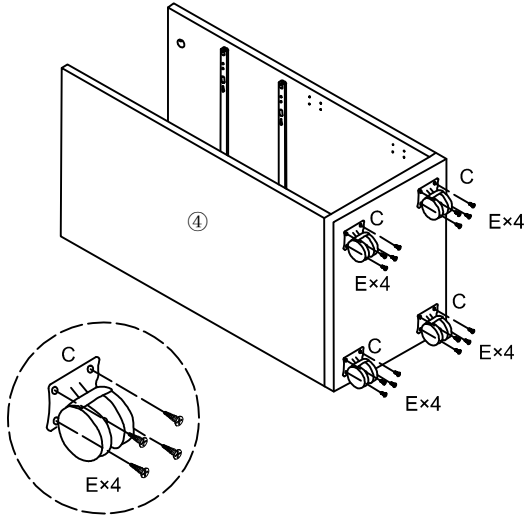
Ax8

STEP:6



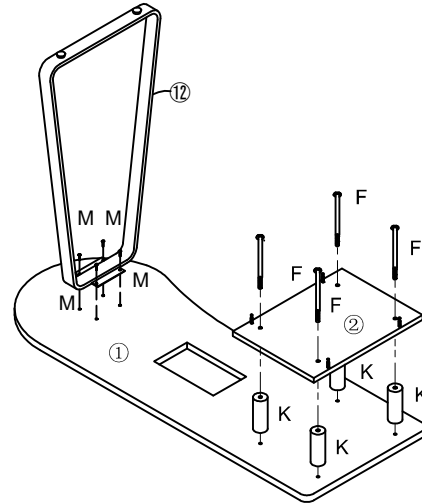
Bx8

STEP:7



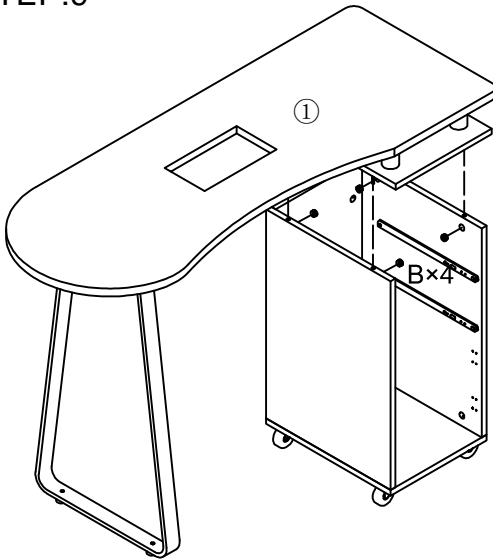
Cx4  
Ex16

STEP:8



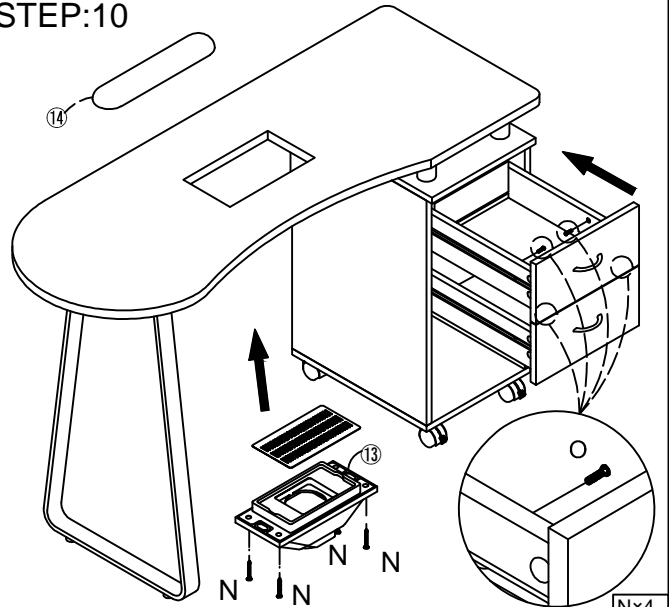
Fx4  
Kx4  
Mx4

STEP:9



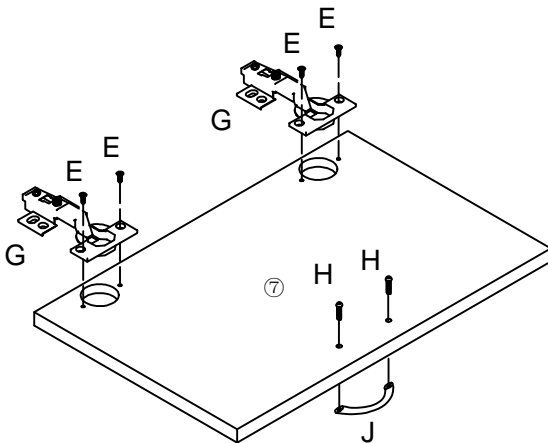
Bx4

STEP:10



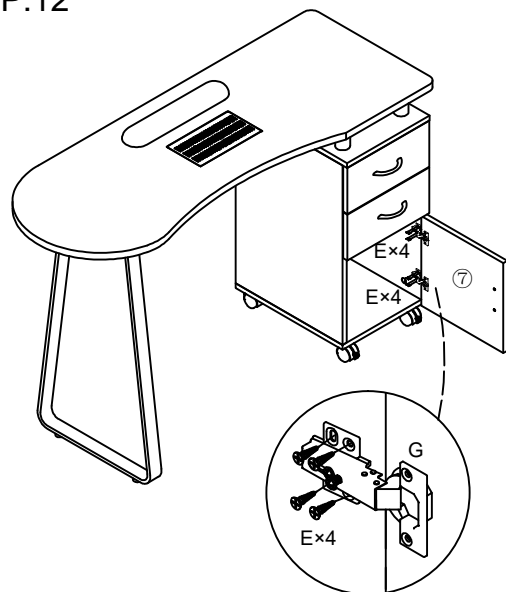
Nx4  
Ox4

STEP:11



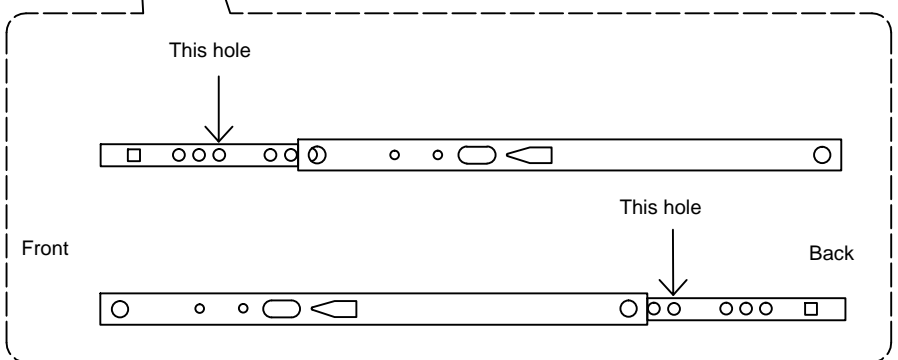
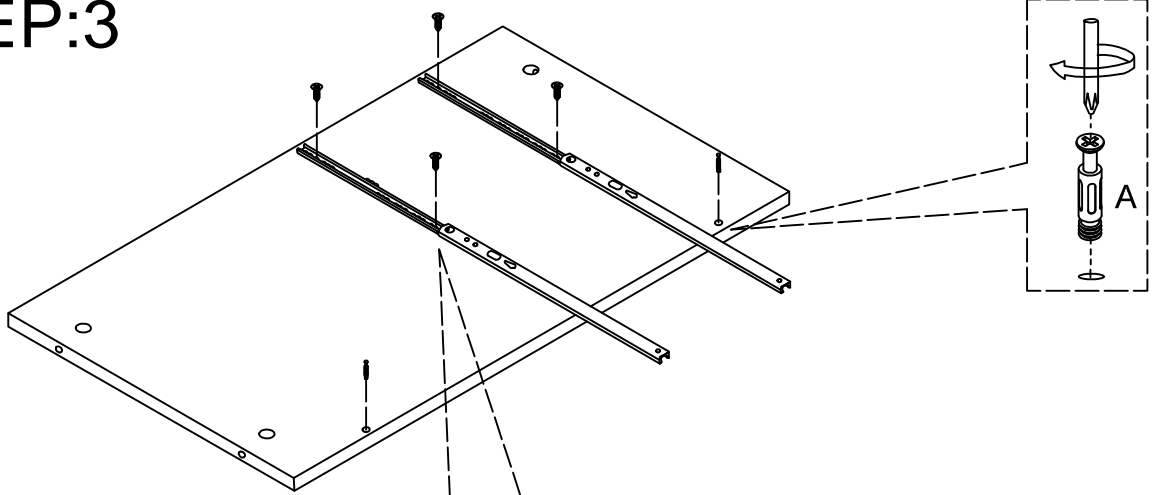
Ex4  
Gx4  
Hx2  
Jx1

STEP:12



Ex8

# STEP:3



# STEP:4

