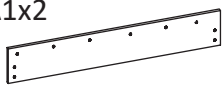







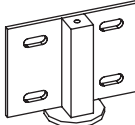
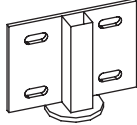
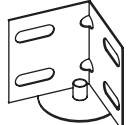
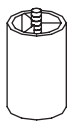
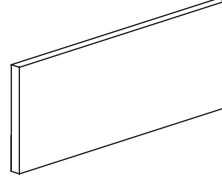
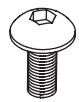


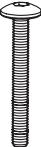



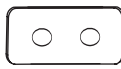

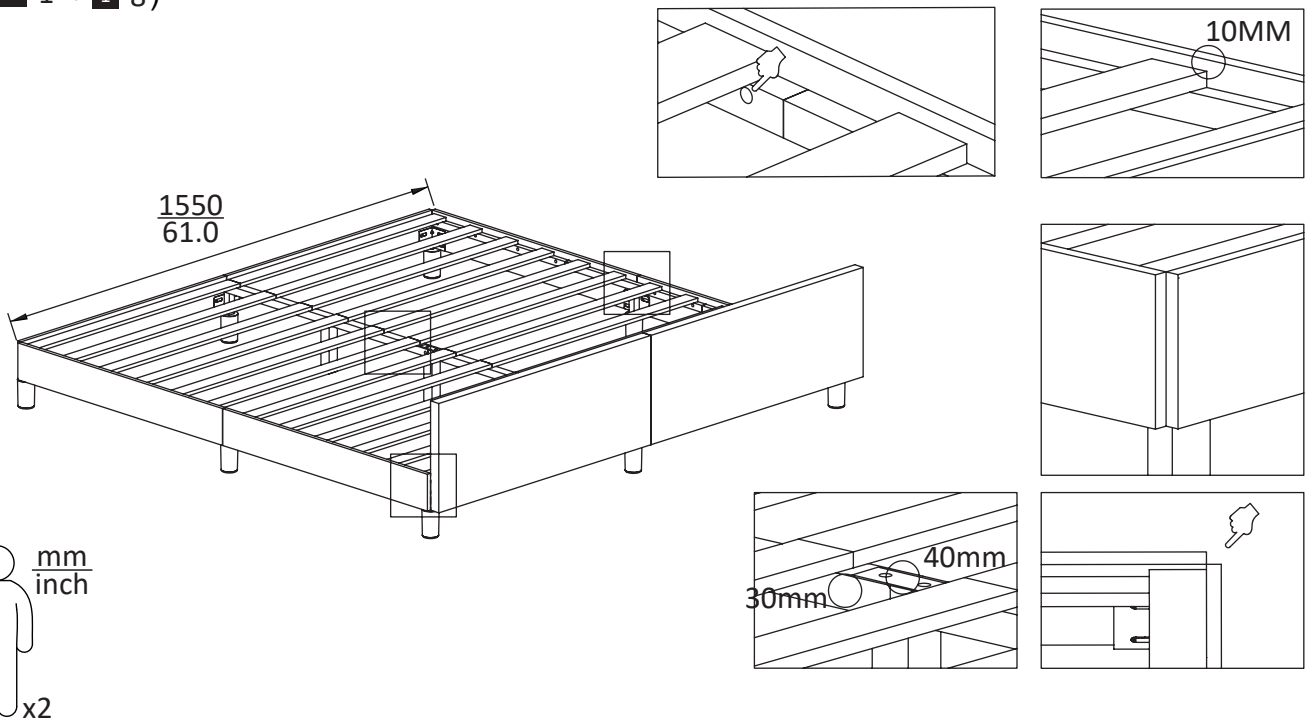
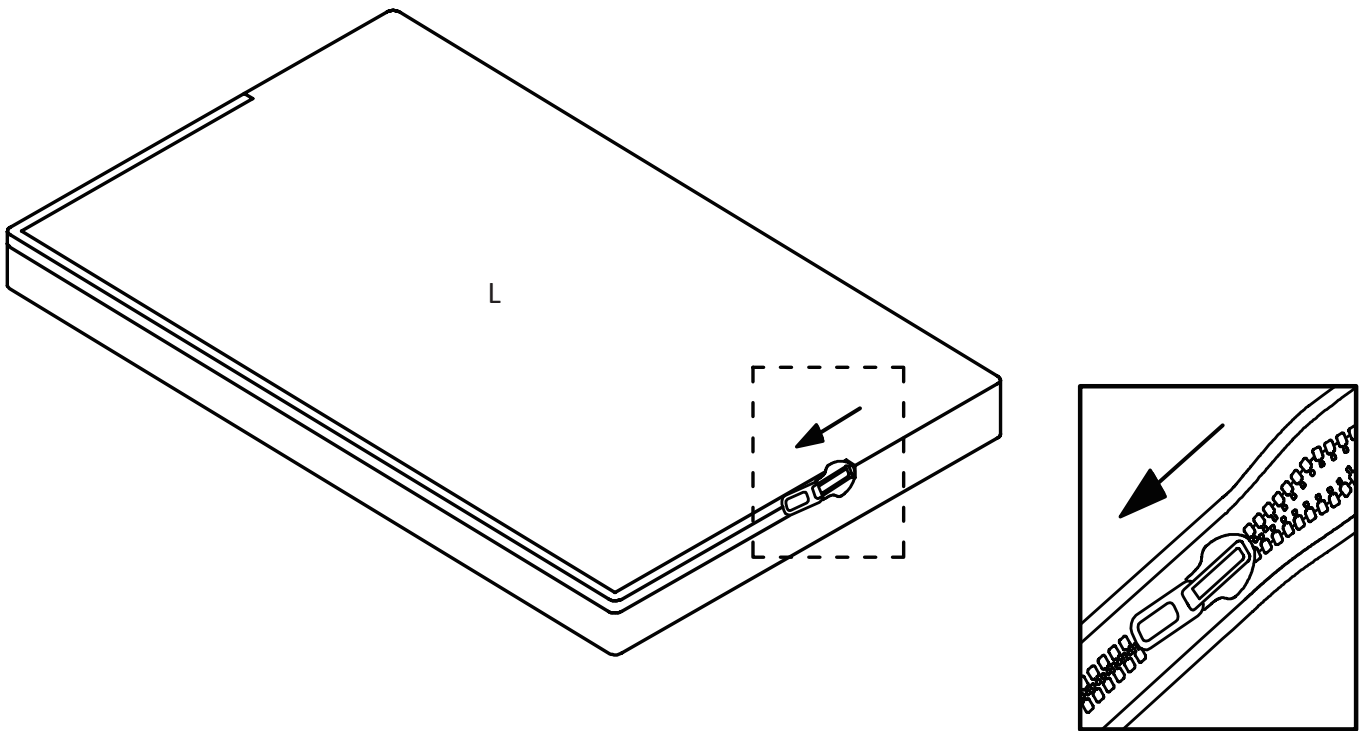
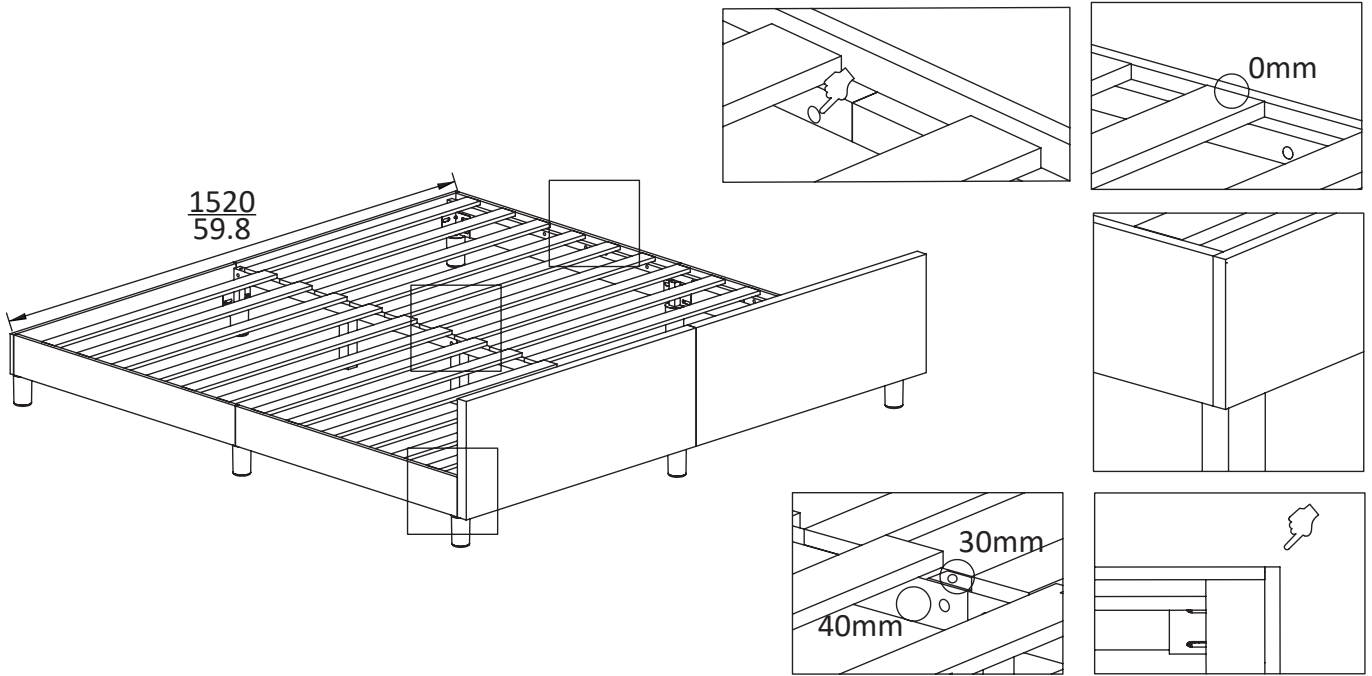


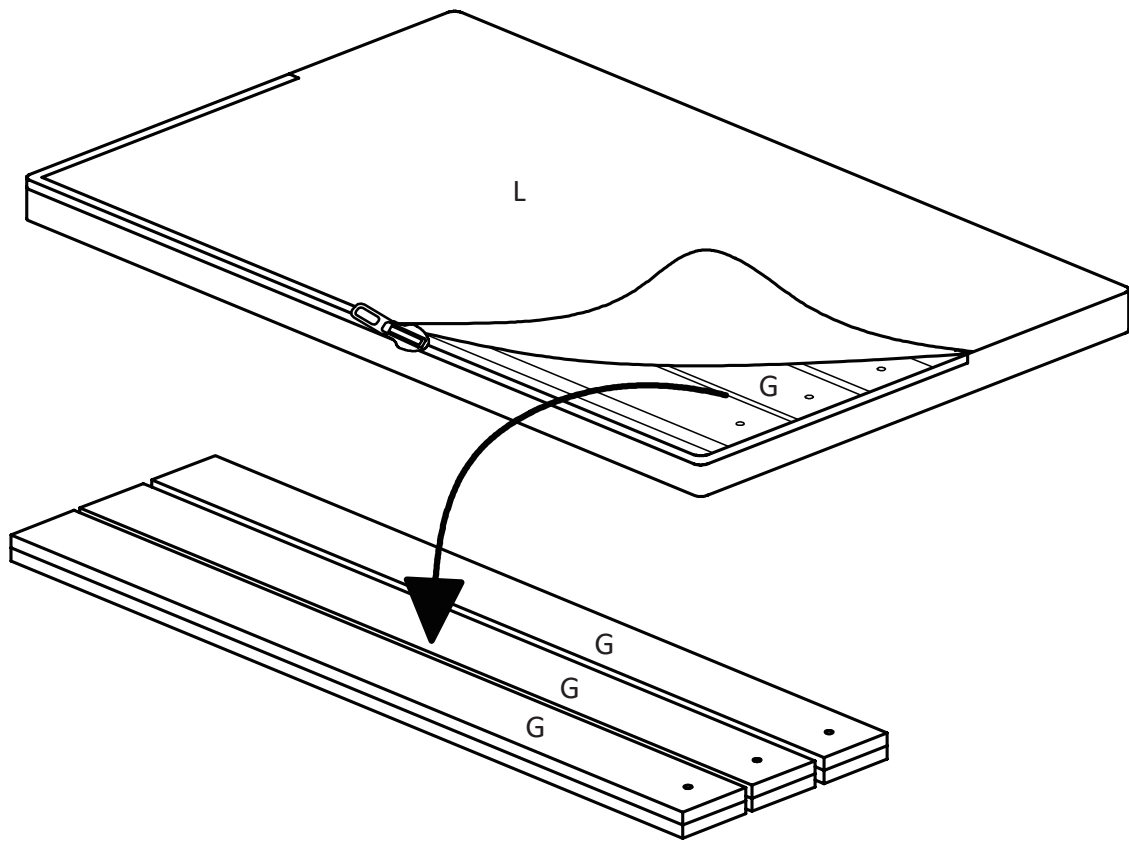
<p>A1x2</p>  <p>A2x2</p>  <p><math>\frac{1015 \times 135 \times 15}{40.0 \times 5.3 \times 0.6}</math></p>	<p>Bx2</p>  <p><math>\frac{760 \times 135 \times 15}{29.9 \times 5.3 \times 0.6}</math></p>	<p>Cx6</p>  <p><math>\frac{670 \times 20 \times 30}{26.4 \times 0.8 \times 1.2}</math></p>	<p>Dx2</p>  <p><math>\frac{1015 \times 30 \times 40}{40.0 \times 1.2 \times 1.6}</math></p>	<p>Ex1</p>  <p><math>\frac{40 \times 40 \times 175}{1.6 \times 1.6 \times 6.9}</math></p>	
<p>Fx2</p>  <p><math>\frac{30 \times 30 \times 175}{1.2 \times 1.2 \times 6.9}</math></p>	<p>Gx26</p> 	<p>Hx2</p> 	<p>Ix2</p> 	<p>Jx4</p> 	
<p>Kx8</p> 	<p>Lx2</p> 	<p>Mx32</p>  <p>M6x <math>\frac{16}{0.6}</math></p>	<p>Sx36</p>  <p>M6</p>	<p>Nx24</p>  <p>M6x <math>\frac{35}{1.4}</math></p>	
<p>Ox6</p>  <p>M6x <math>\frac{55}{2.2}</math></p>	<p>Px52</p>  <p>M4x <math>\frac{35}{1.4}</math></p>	<p>Qx1</p>  <p>M6x <math>\frac{45}{1.8}</math></p>	<p>Rx1</p> 	<p>Tx1</p> 	

**1** ( **1**-1 ~ **1**-8 )



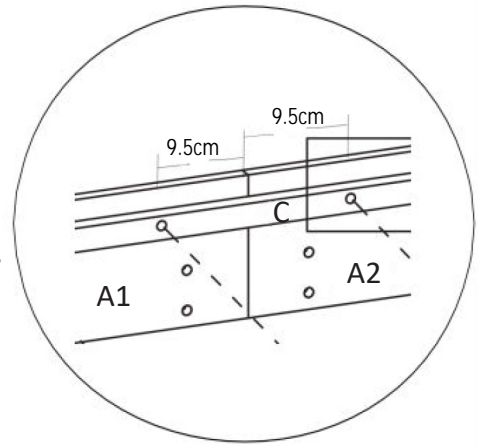
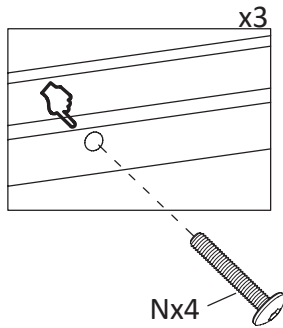
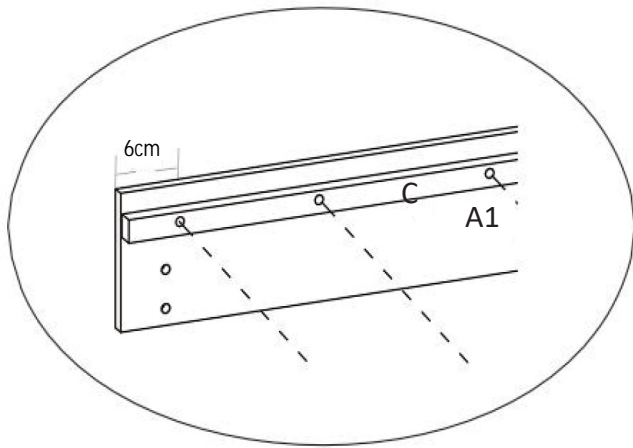
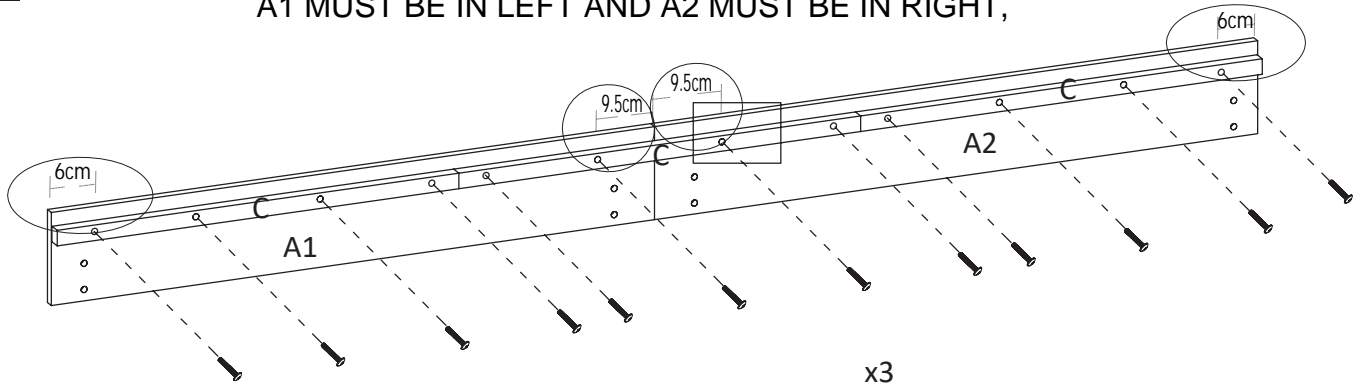
2 ( 2-1 ~ 2-8 )



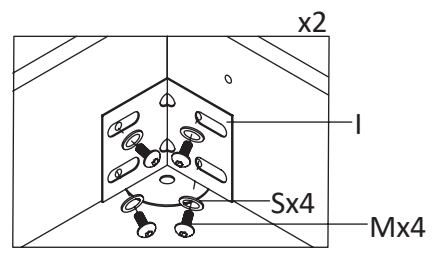
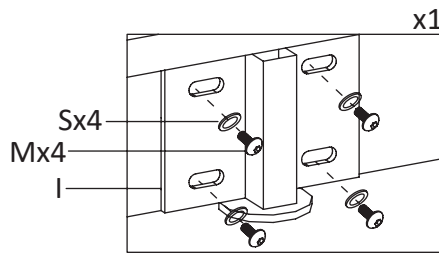
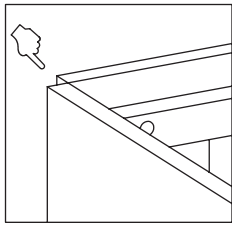
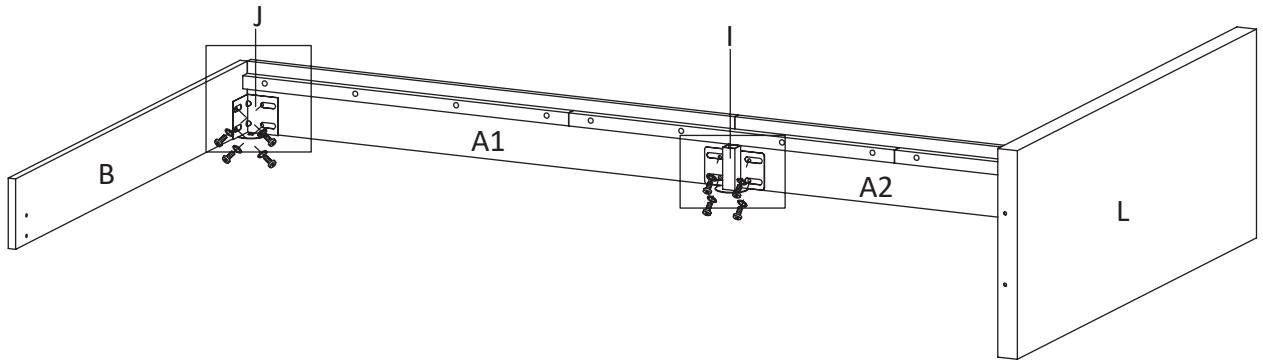


1-1 x2

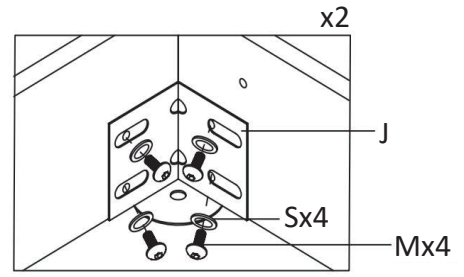
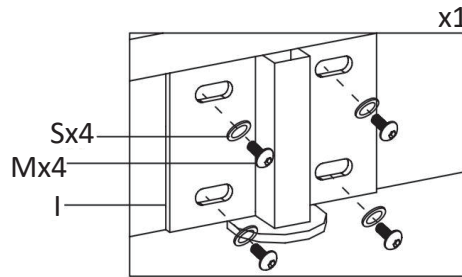
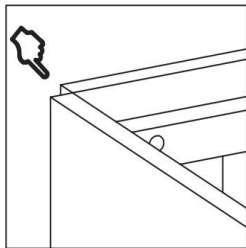
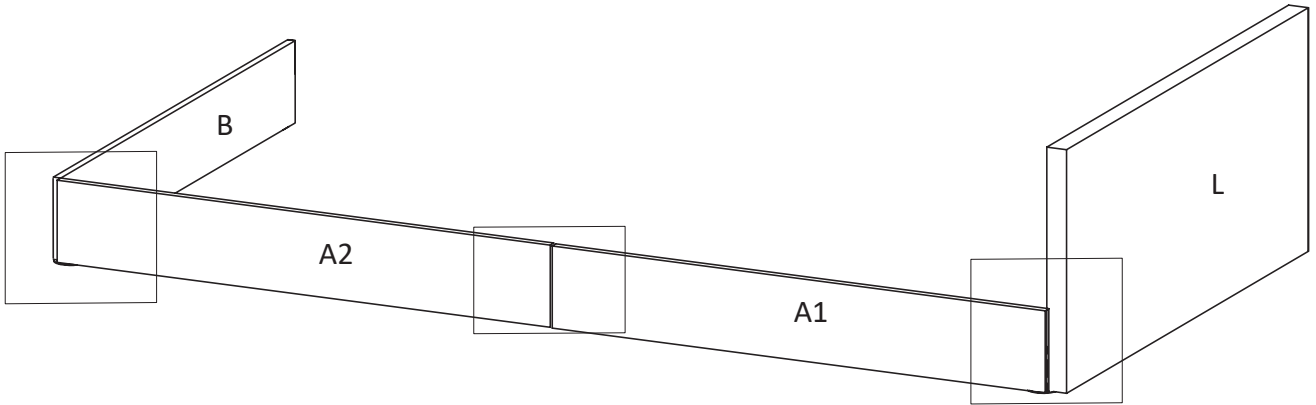
A1 MUST BE IN LEFT AND A2 MUST BE IN RIGHT,



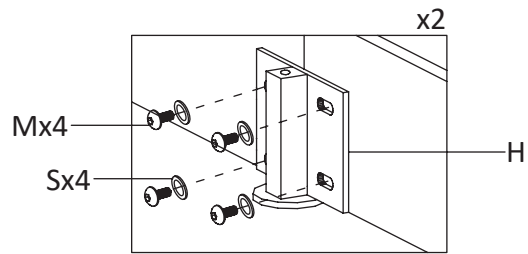
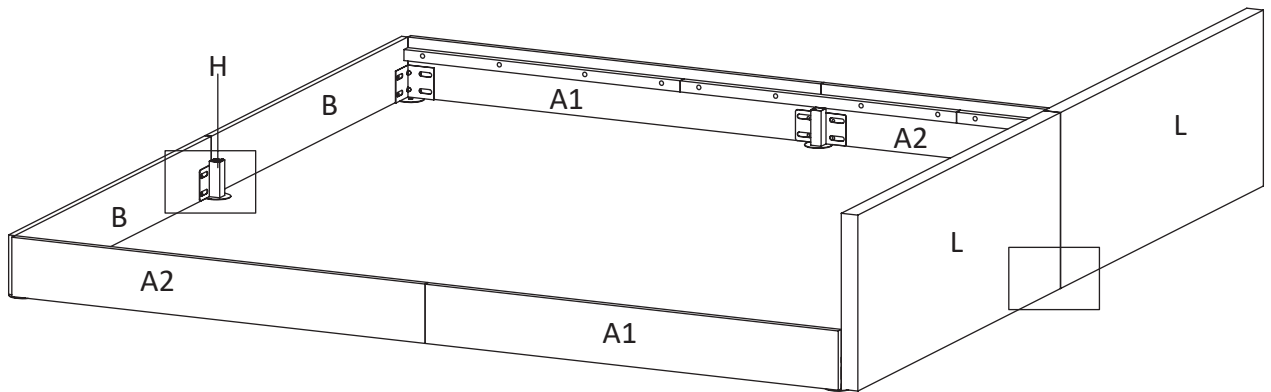
1-2



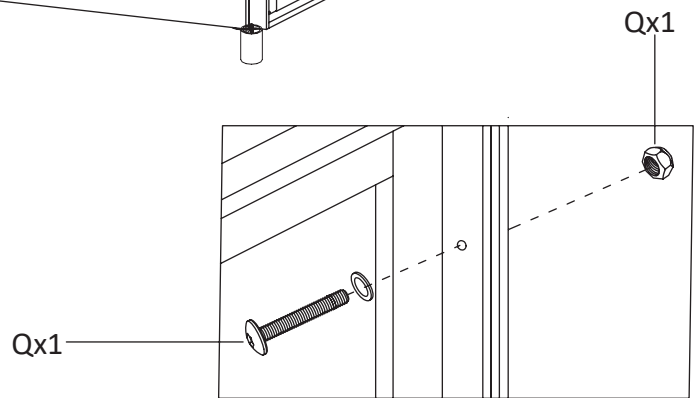
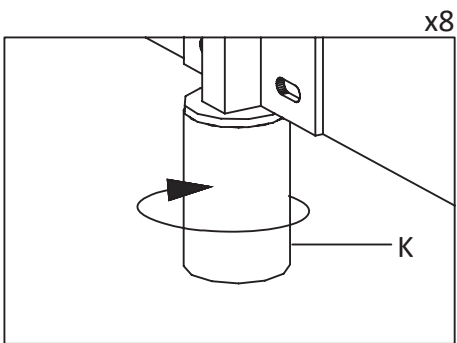
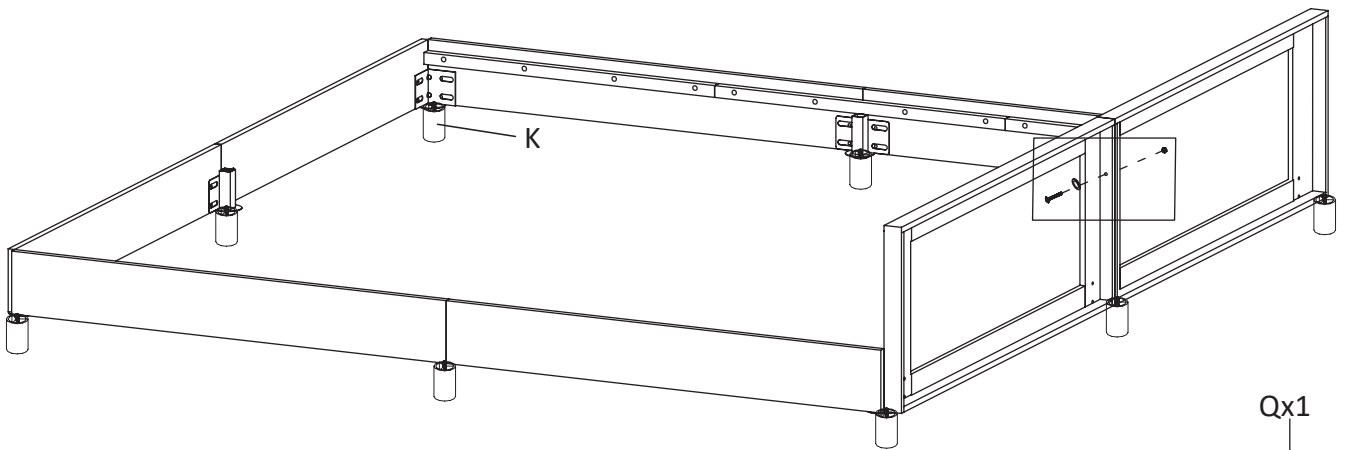
1-3



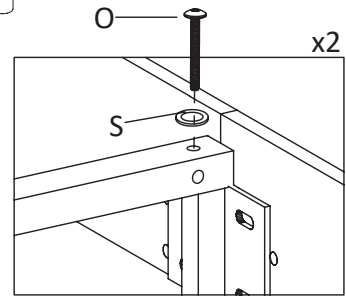
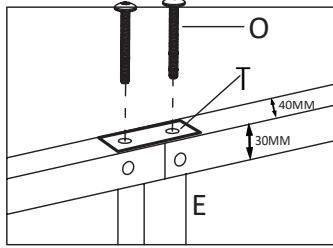
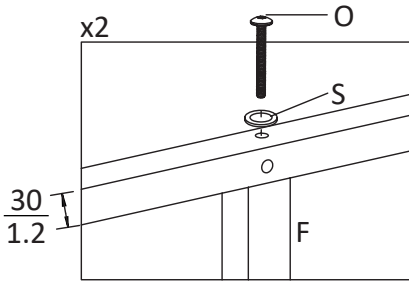
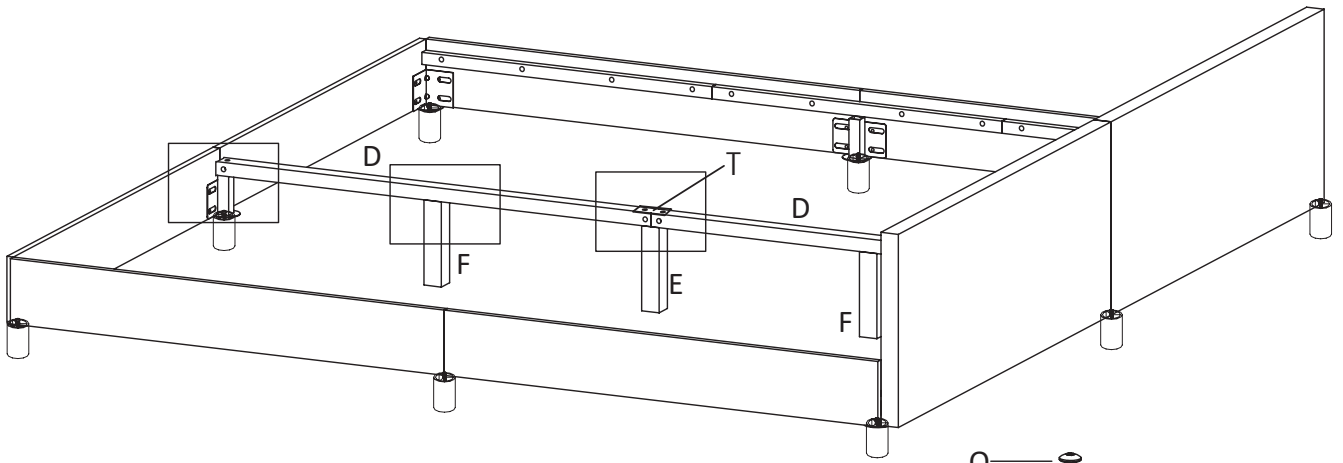
1-4



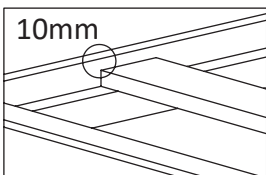
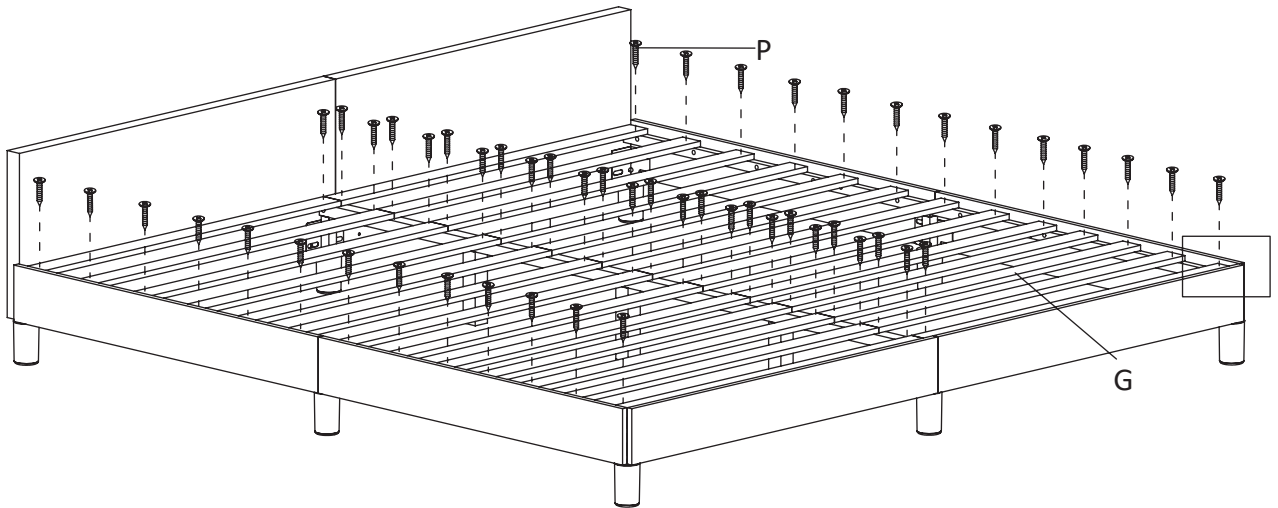
1-5



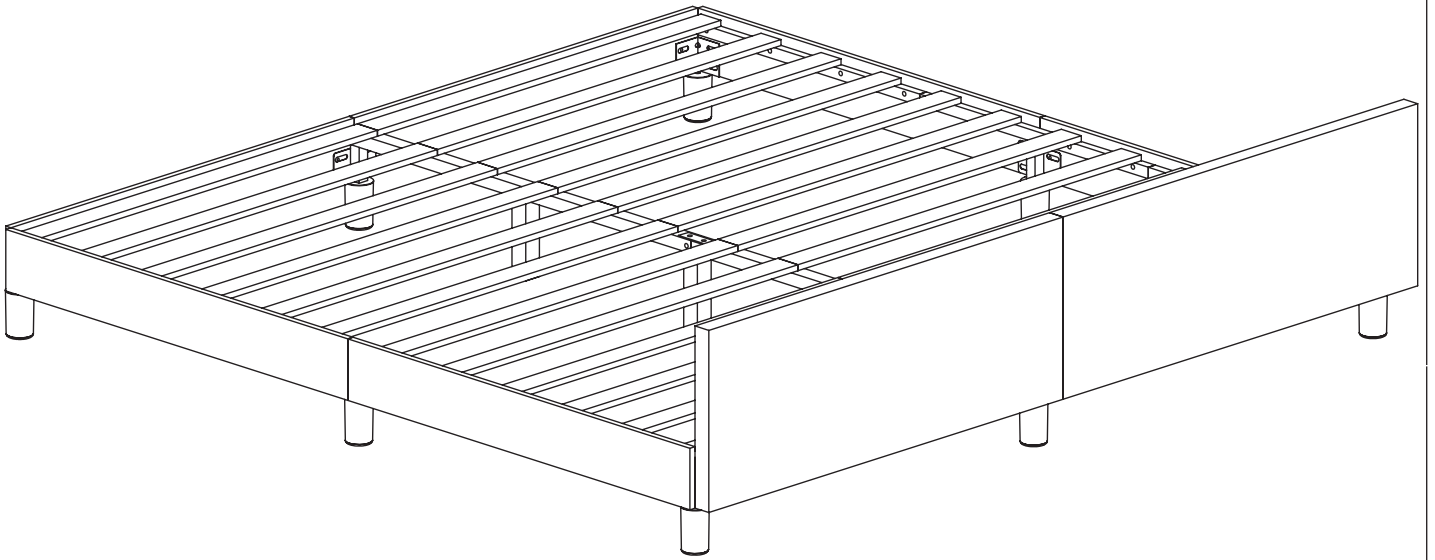
1-6



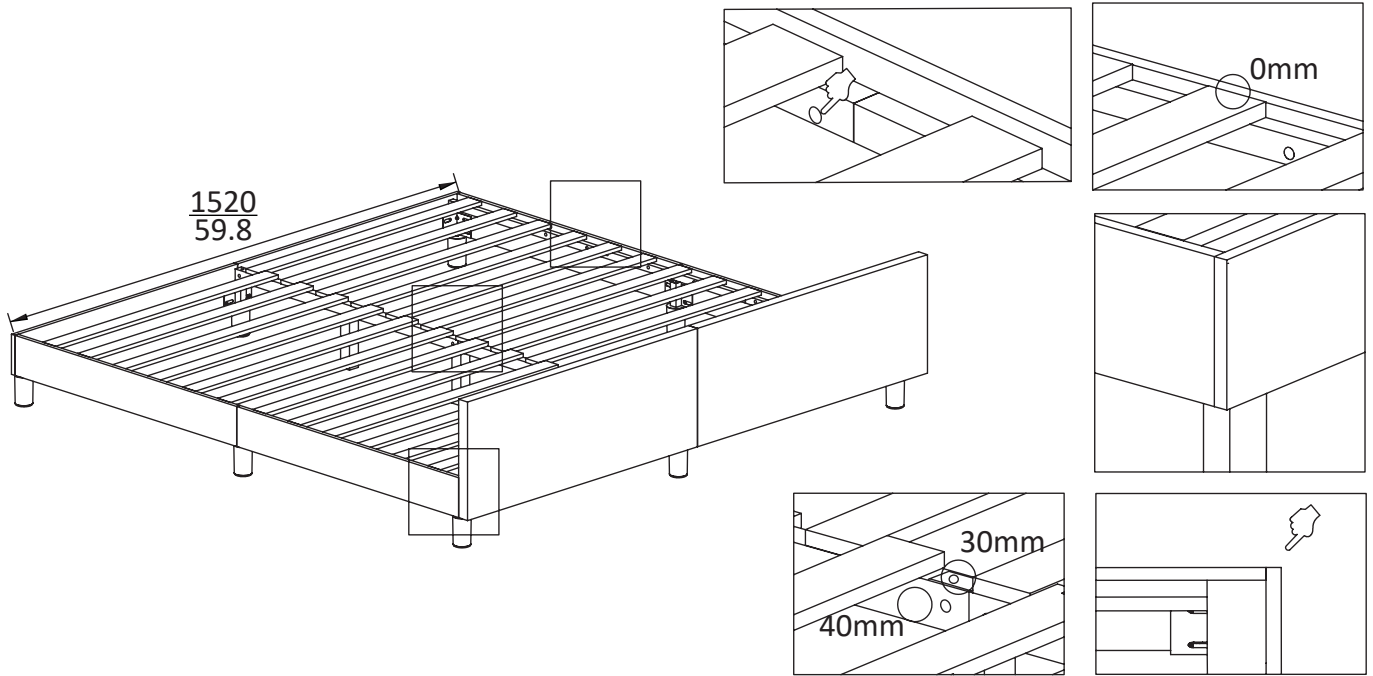
1-7



1-8

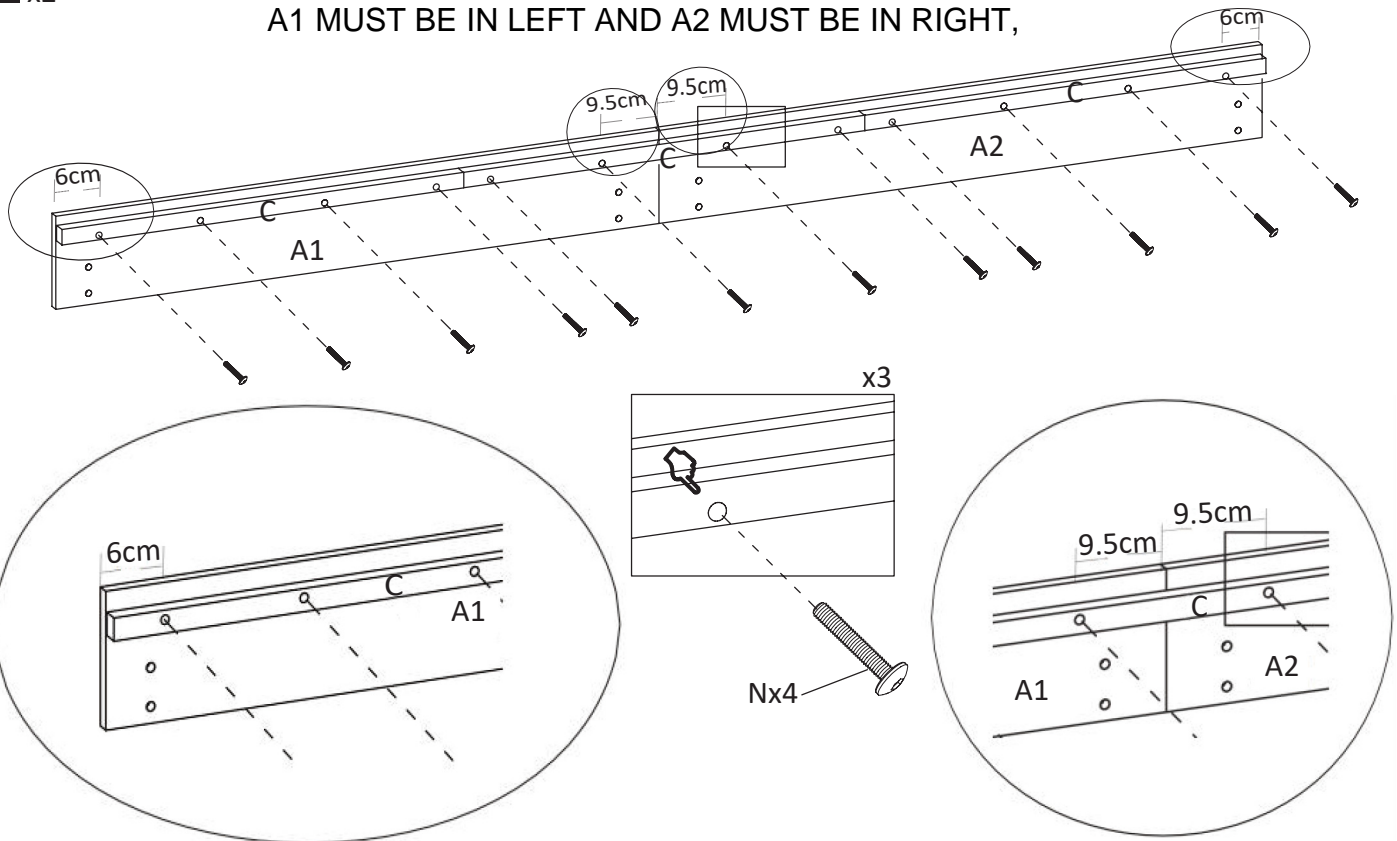


2 (2-1 ~ 2-8)

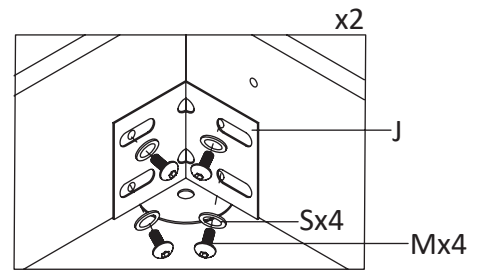
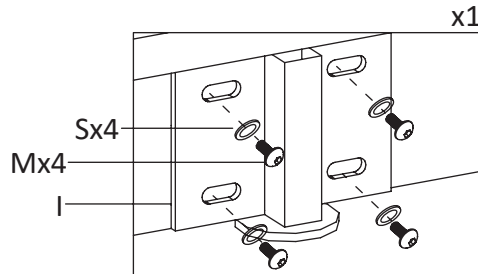
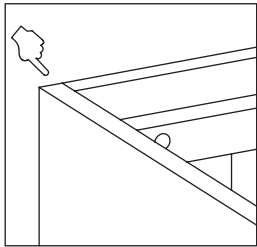
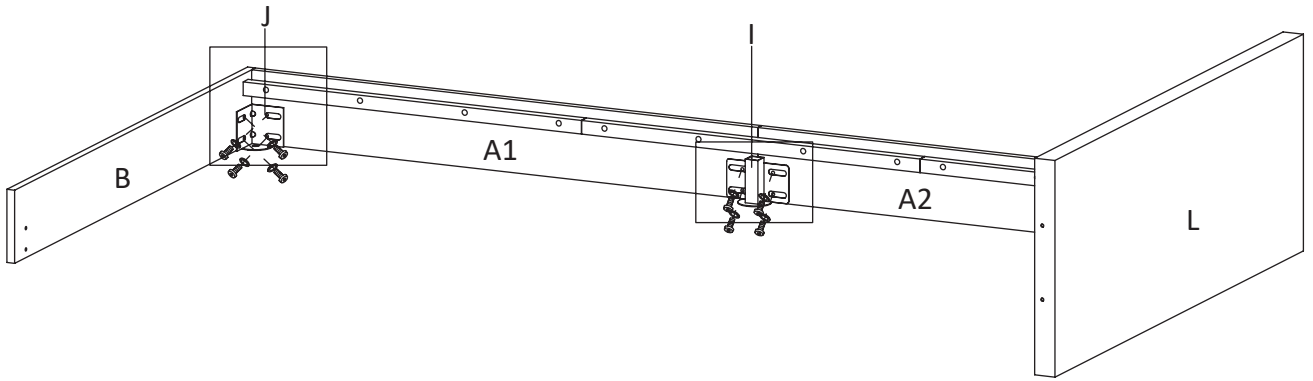


2-1 x2

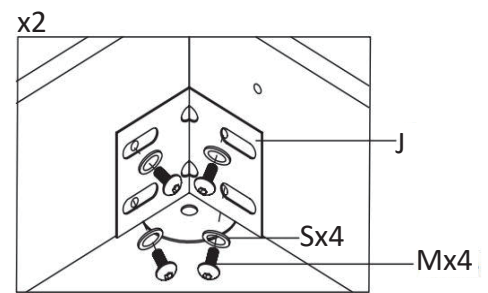
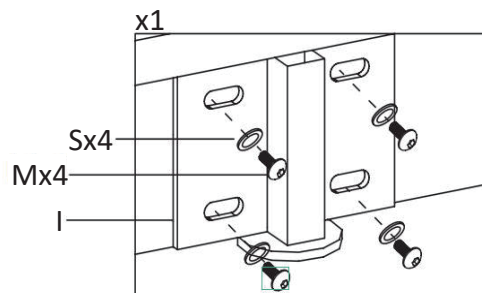
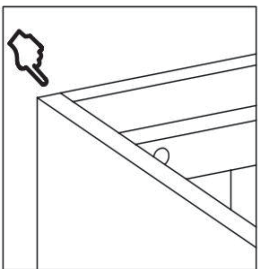
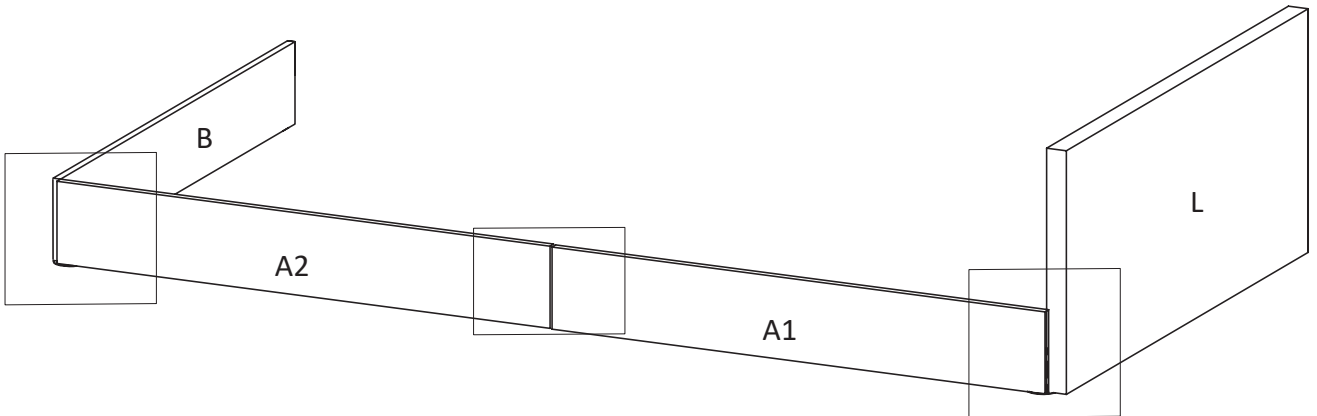
A1 MUST BE IN LEFT AND A2 MUST BE IN RIGHT,



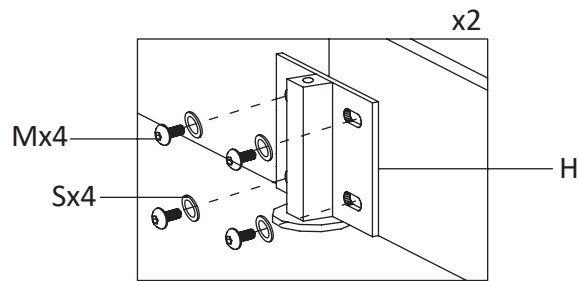
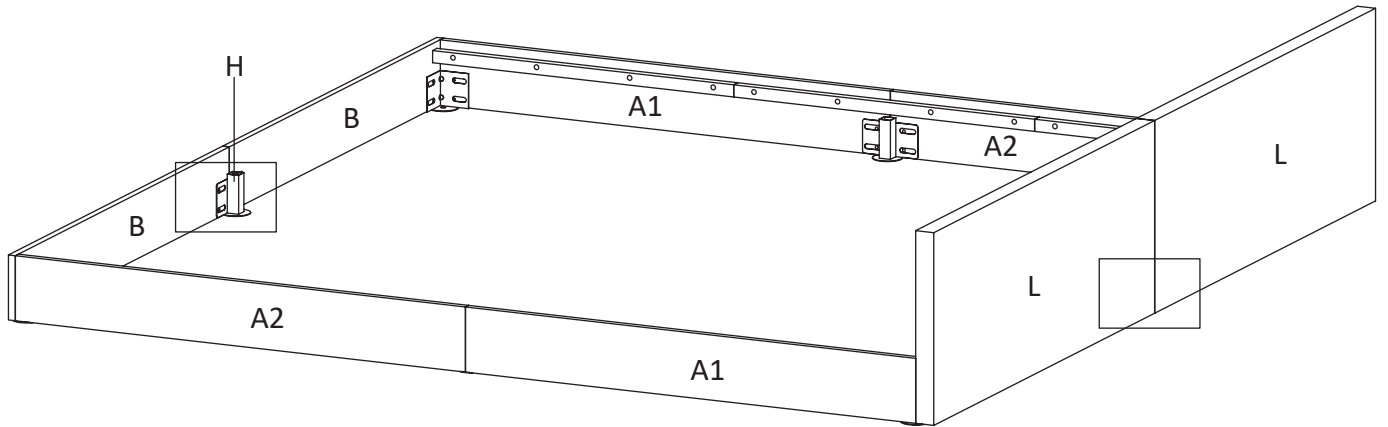
2-2



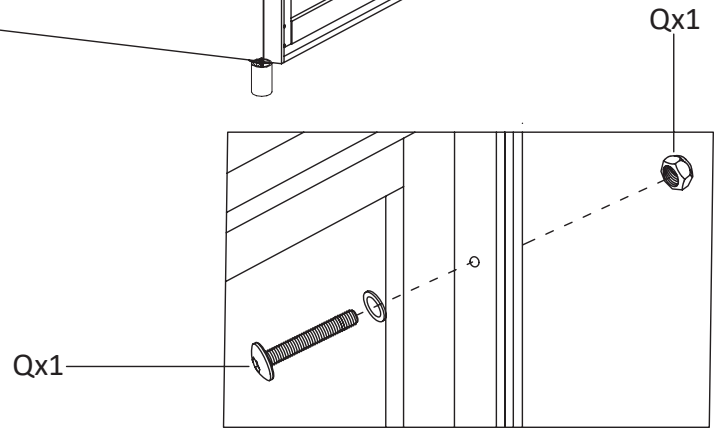
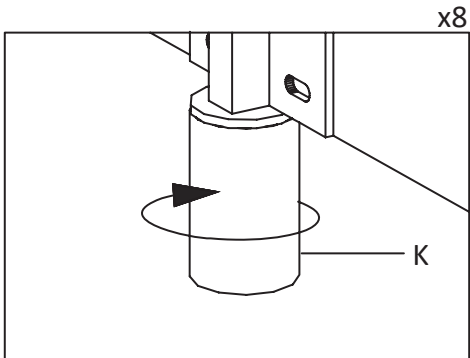
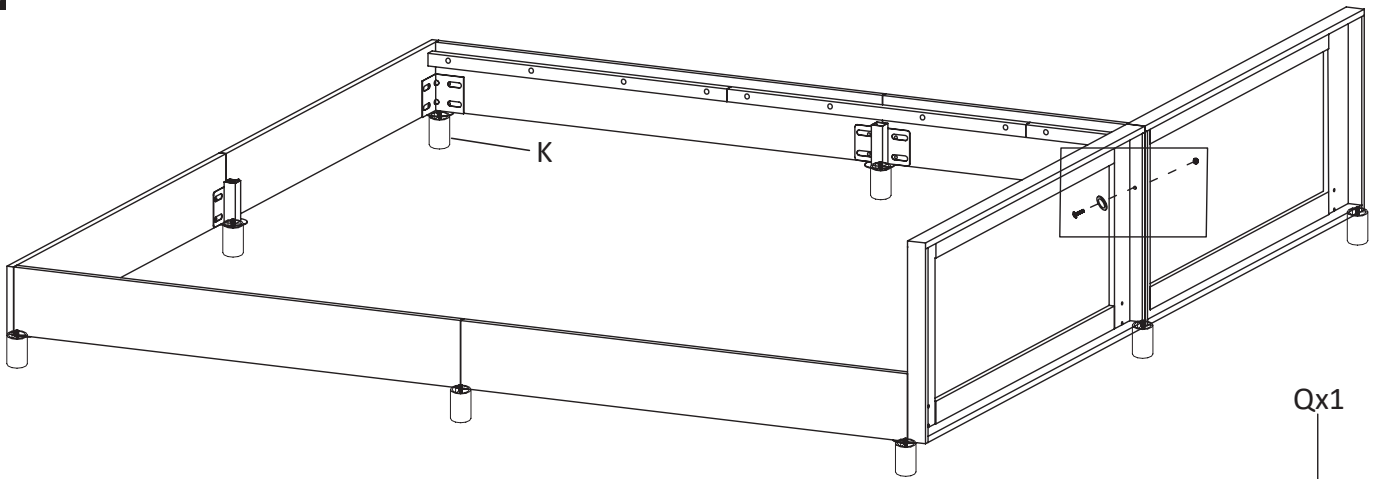
2-3



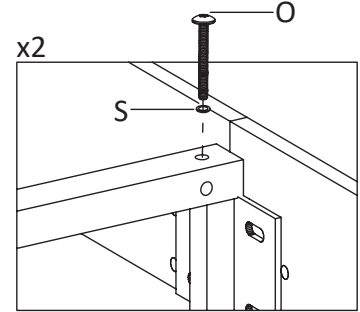
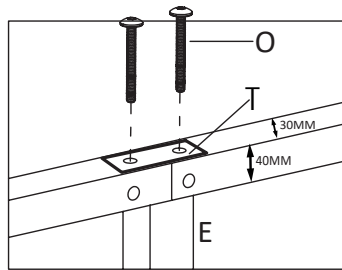
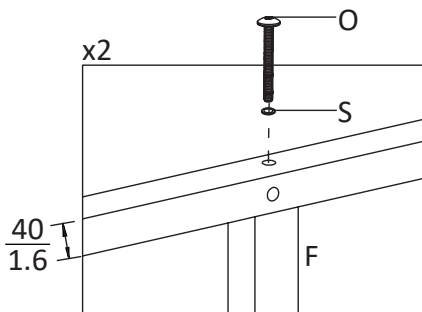
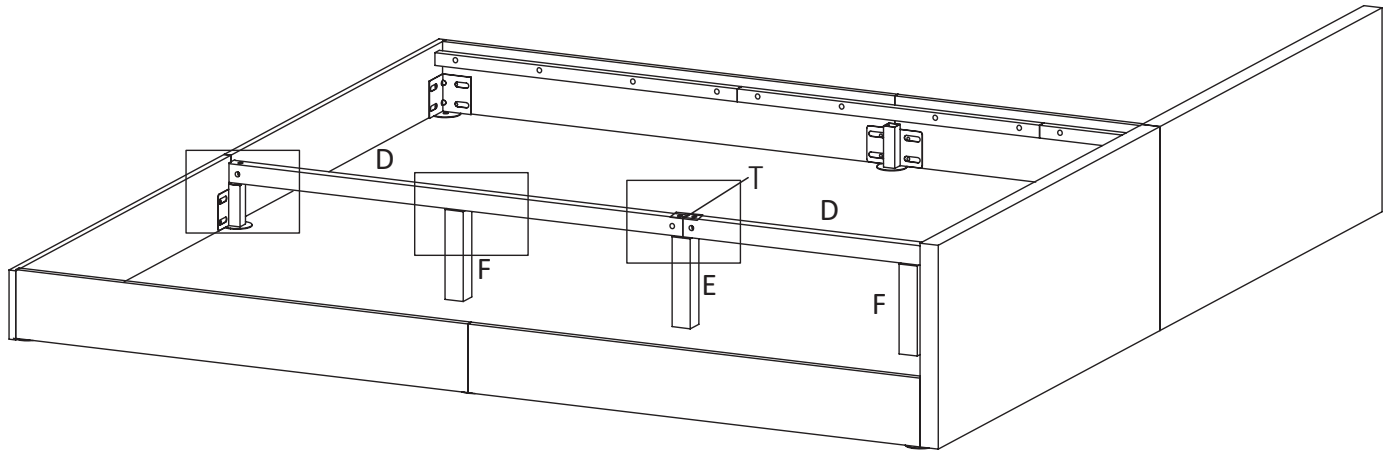
2-4



2-5



2-6



2-7

