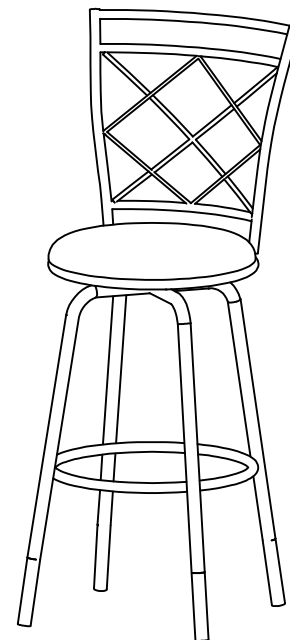


ASSEMBLY INSTRUCTIONS

Avery Adjustable Metal Bar Stool

ASSEMBLY	25 MINUTES	1-Person
REQUIREMENTS	Assembly Time Per Stool (Approximate)	Assembly



Thank you for purchasing our product!

Please refer and use this assembly instruction to assemble the product. Contact our customer service department in case there are any missing or damage parts or hardware. Replacement parts are normally shipped within 2 or 3 days.

PRODUCTS PURCHASED THROUGH OUR AUTHORIZED VENDORS ONLY ARE ELIGIBLE FOR REPLACEMENT PARTS.

We appreciate your business!

THIS PRODUCT IS FOR INDOOR AND HOUSEHOLD USE ONLY - NOT FOR COMMERCIAL USE.

ASSEMBLY PREPARATION

1. Remove all packaging materials, staples and packing straps from the carton.
2. Refer to Parts List and Hardware List and ensure they are complete before you start assembling.
3. Place all wooden parts on a clean, flat and soft surface (e.g. carpet or rug) to prevent parts from getting scratched.

SAFETY PRECAUTION:

1. KEEP ALL HARDWARE PARTS OUT OF REACH OF CHILDREN.
2. DISPOSE PLASTIC PACKAGING MATERIAL IMMEDIATELY TO AVOID ANY RISK OF SUFFOCATION TO CHILDREN AND ANIMALS.

TIPS FOR ASSEMBLY:












1. Allow ample room for assembly and in close proximity to where product will be placed.
2. Assemble the product on a surface that does not scratch or damage the exterior gloss and finish of the furniture.
3. Please check all of the parts and quantities are included before assembly. Contact customer service for missing parts.
4. Identify all of the parts, hardware and quantities required for each step.
5. During assembly, do not over-tighten any fittings as this may cause damage.
6. DO NOT USE POWER TOOLS TO ASSEMBLE THIS PRODUCT.
7. Always place the product on a flat surface.
8. Do not sit or stand on the partially assembled product; only use the product for which it is intended.

CARE AND MAINTENANCE

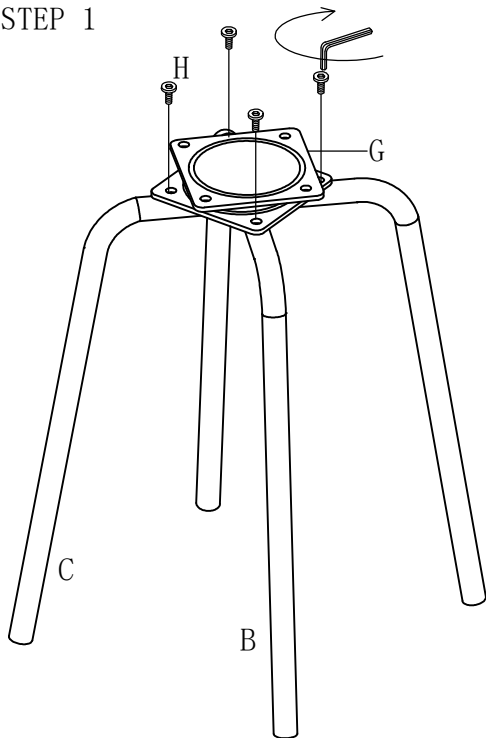
- Use a slightly damp cloth to clean the product. Do not use bleach or abrasive cleaning material.
- Check all the fittings periodically and re-tighten as necessary. Do not use the product if any of the parts is damaged or broken.
- Never allow any kind of liquid to remain on your furniture. Absorption can cause wood to warp or delaminate.
- Do not place hot items (e.g. hot drinks) directly onto the wood surface.
- Do not drag and/or pull the furniture.

ASSEMBLY INSTRUCTIONS

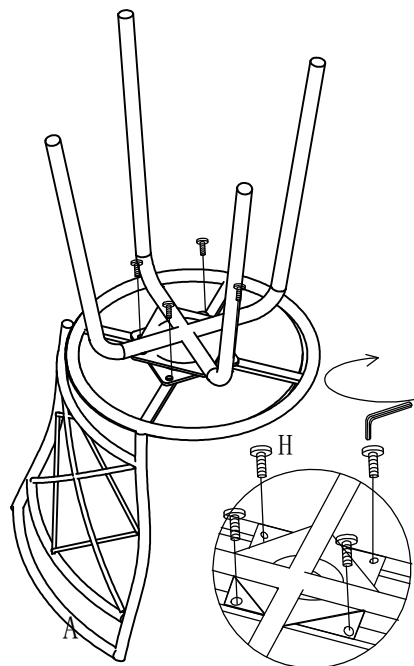
Avery Adjustable Metal Bar Stool ITEM

A		CHAIR BACK	3PCS	F		CUSHION	3PCS
B		LEG FRAME-TOP	3PCS	G		SWIVEL PLATE	3PCS
C		LEG FRAME-BOTTOM	3PCS	H	 M6 X 12MM	BOLT	36PCS
D		FRAME	3PCS	I	 M6 X 25MM	BOLT	24PCS
E		LEG TUBE	12PCS	J		ALLEN WRENCH	1PC
				K		PLUG	12PCS

STEP 1



STEP 2



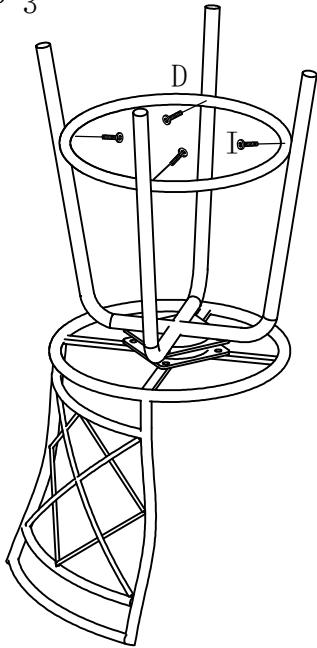
- Place Leg Frames (B) & (C) perpendicular to each other as shown - with (B) on top of (C)
- Rotate Swivel Plate (G) quarter of a turn so that all of the screws on the upper and lower plates are exposed.
- Place the Swivel Plate over the Leg Frames that are perpendicular to each other and align the 4 holes on the bottom plate to each hole on the leg frame.
- Use Bolt (H) to fasten the Swivel Plate (G) to the Leg Frames. Do not tighten completely until all 4 bolts are in place

- Place Chair Back (A) on an elevated surface (e.g. table top) as shown.
- Position the leg frame assembly from Step 1 with the 4 holes on Swivel Plate (G) align to the 4 holes on the bottom side of (A)
- Use Bolt (H) to fasten the Swivel Plate (G) to (A). Do not tighten completely at this time.

ASSEMBLY INSTRUCTIONS

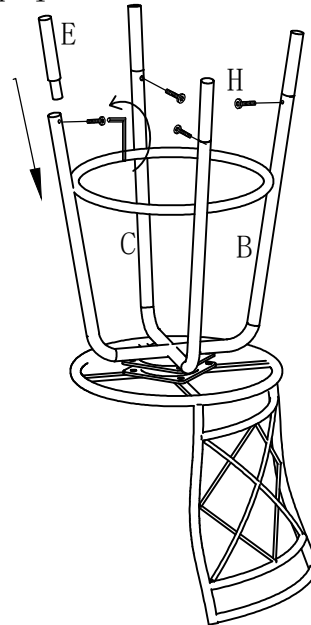
Avery Adjustable Metal Bar Stool ITEM

STEP 3



- Place round Frame (D) as shown.
- Align a hole on (D) to a hole on one of the legs. Insert Bolt(I) and fasten Frame D to that leg loosely - do not tighten.
- Continue step b) for the remaining 3 holes on (D) to the remaining 3 legs.
- Tighten Bolt (I) completely when all 4 bolts are in place.

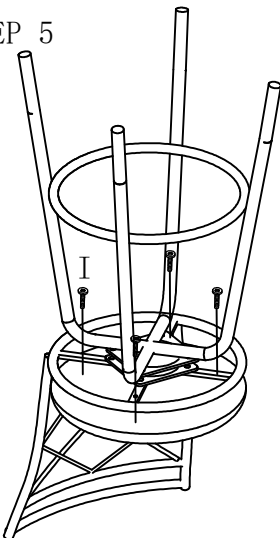
STEP 4



- Insert a Leg Tube (E) to each leg
- Align the hole on (E) to the hole on the leg. Insert Bolt (H) and use Allen Key (J) to tighten.
- Continue step b) for the remaining 3 Leg Tube (E) on the remaining 3 legs.

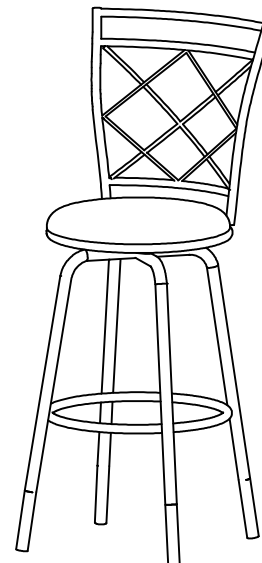
If this is the desirable stool height, cover the end of each leg with Leg Plug (K), skip Step 4 and proceed to Step 5.

STEP 5



- Place Cushion (F) bottom-side up and locate the holes for Bolts (I).
- Align the holes on Backframe (A) to the bolt holes on (F). Use Bolt (I) to fasten (F) to (A). Do not tighten completely until all 4 bolts are in place.
- Tighten all of the bolts used in the stool

STEP 6



Place stool up-right.
The assembly is completed