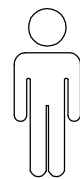
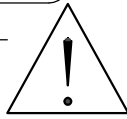
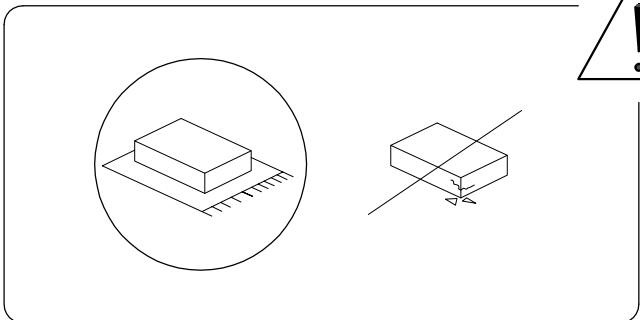
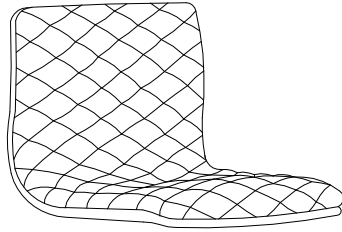
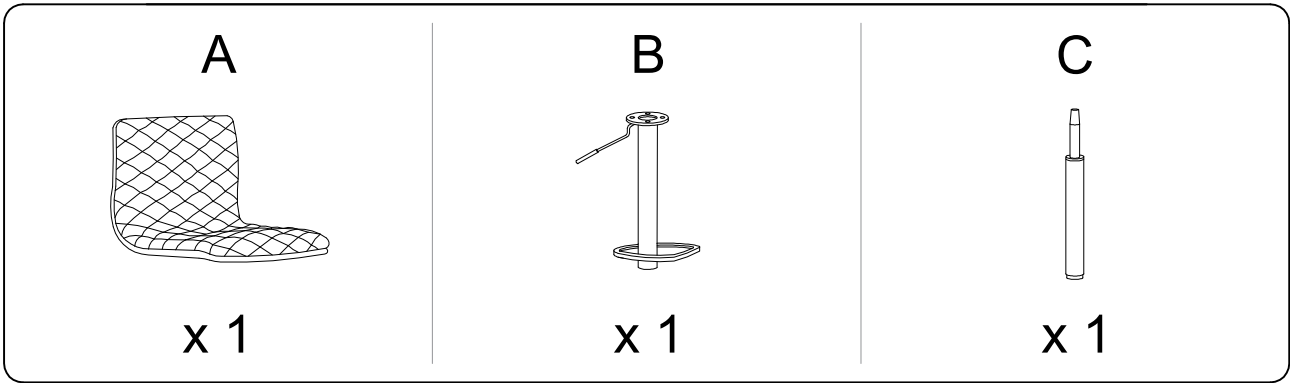


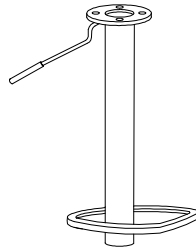
15'



1



A



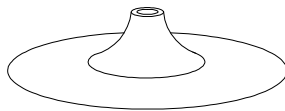
B



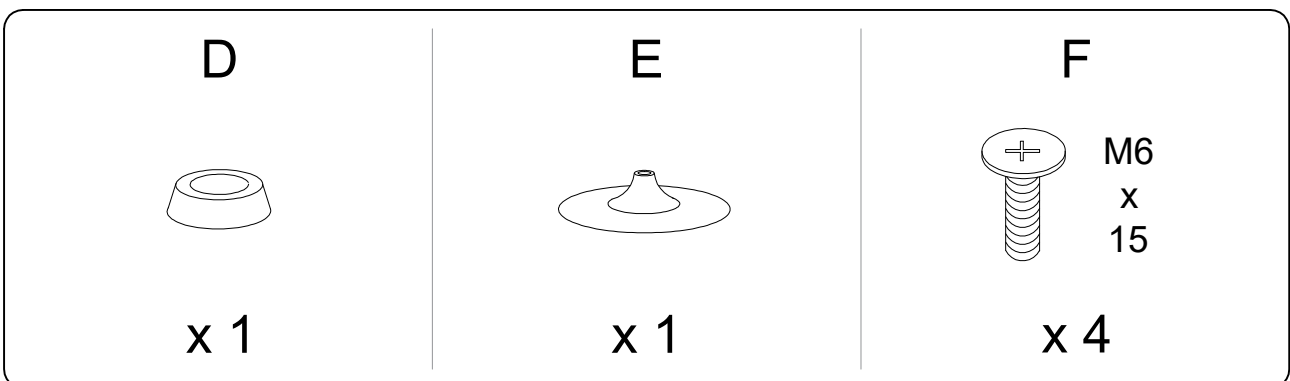
C



D



E



!

C
x 1

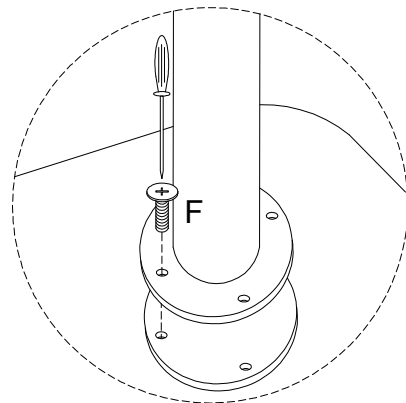
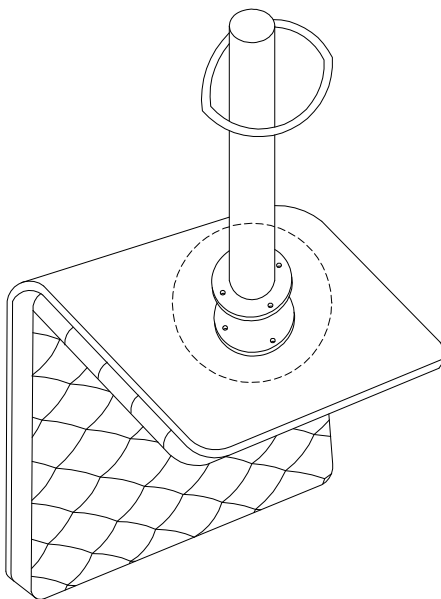


1

A
x 1

B
x 1

F
M6
x 15
x 4



2

