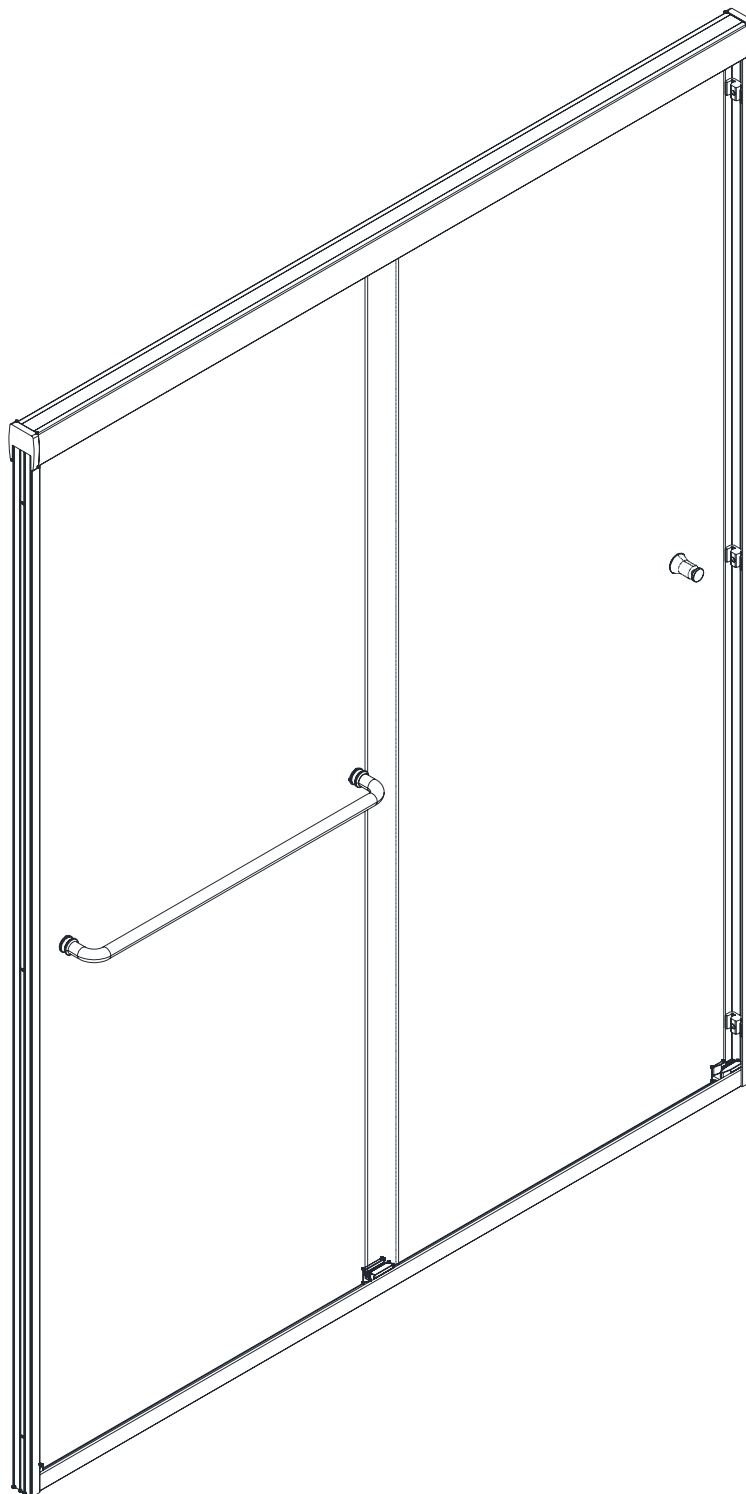


S04

Installation Instructions



This door requires professional installation. Two installers recommended.

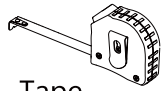
All the plastic bag is not a toy, keep it out of reach of infants and children to avoid choking hazards.

V01-2025-08

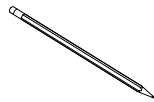
Tools



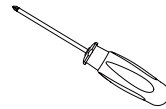
Level



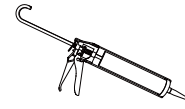
Tape Measure



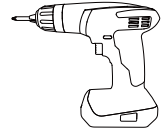
Pencil



Phillips Screwdriver



Silicone



Power Drill



Drill Bit
Ø1/8"
(3mm)



Drill Bit
Ø3/16"
(4mm)



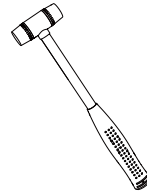
Drill Bit
Ø1/4"
(6mm)



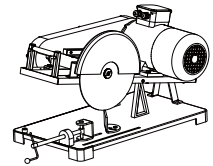
Drill Bit
Ø5/16"
(8mm)



Drill Bit
Ø3/8"
(10mm)



Soft Head Hammer



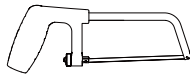
Chop saw**



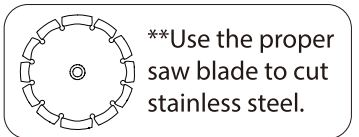
Safety Glasses



Work Gloves



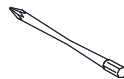
Hacksaw**



Painter's Tape



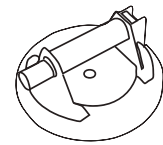
Razor Knife



Extender Driver Bit



#3 Phillips Driver Bit



Professional-grade Glass suction cup



Measure the finished opening before proceeding with the installation to be sure that the correct model size has been ordered.

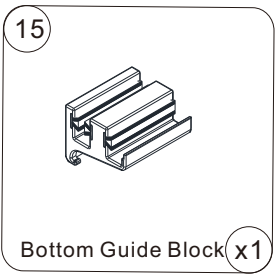
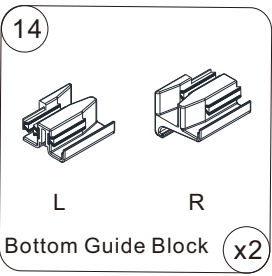
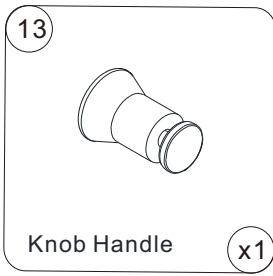
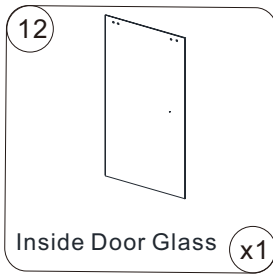
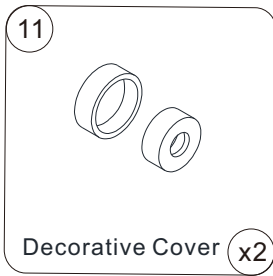
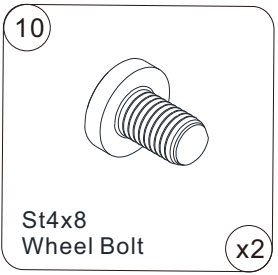
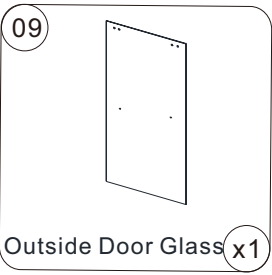
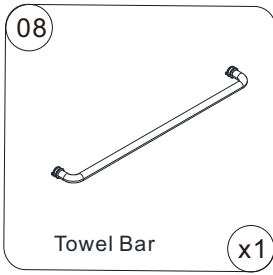
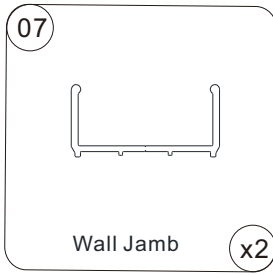
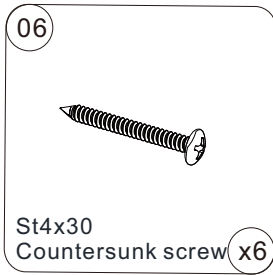
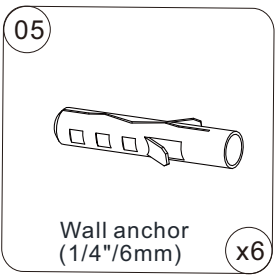
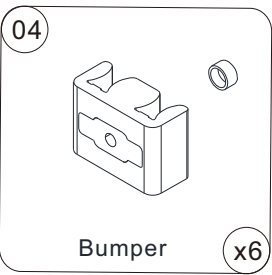
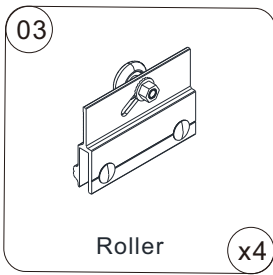
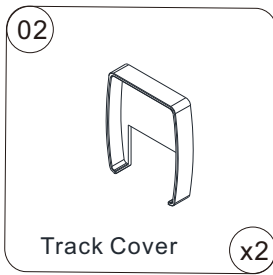
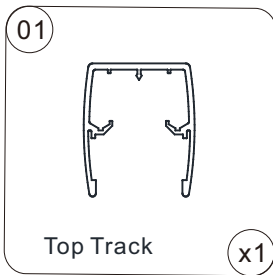
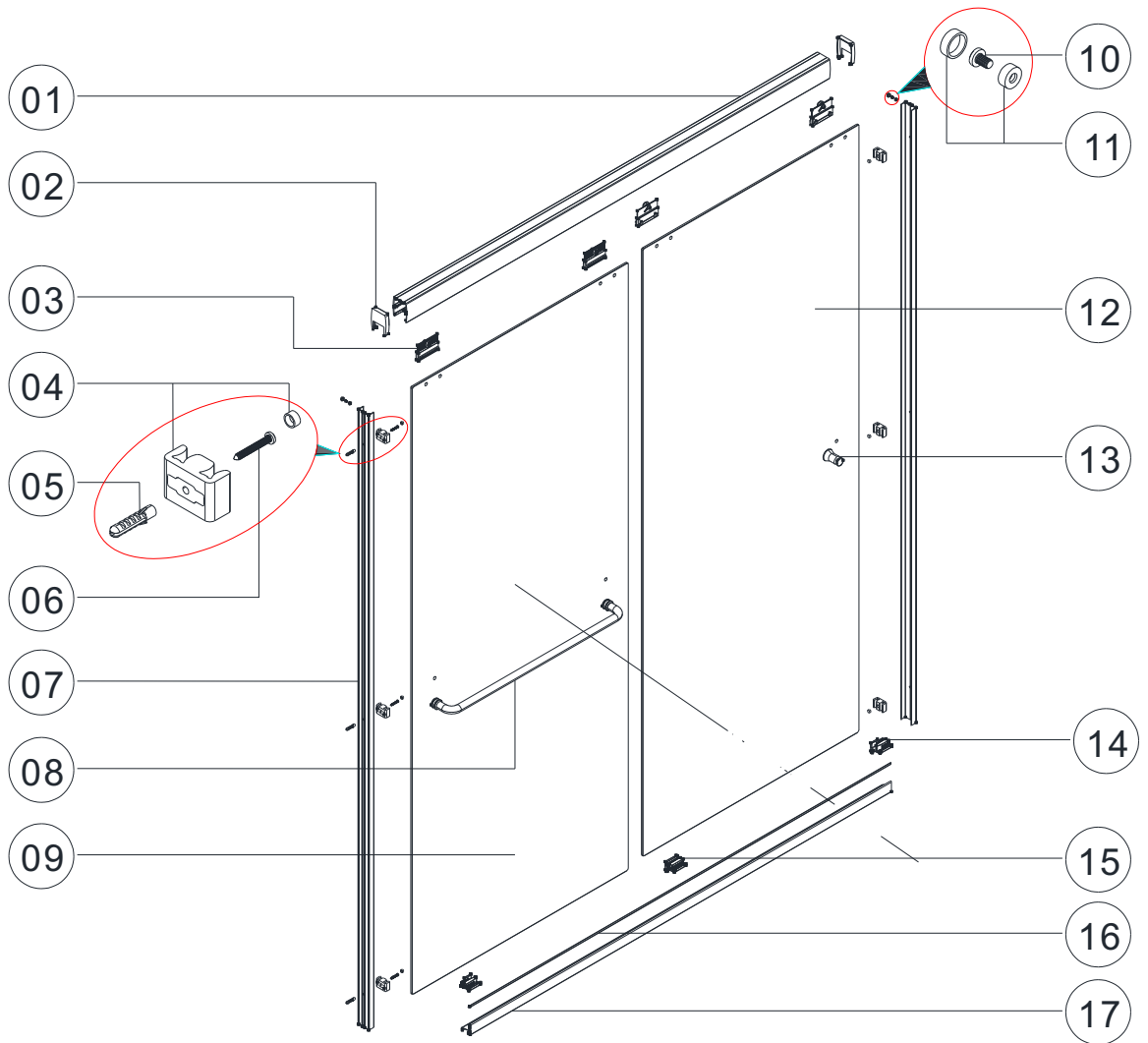
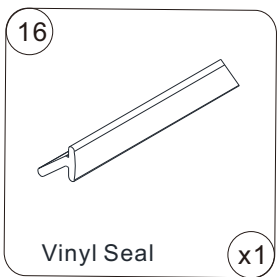
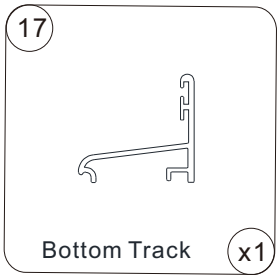
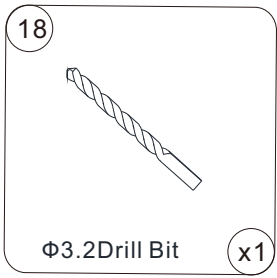
Be sure to cover the shower drain to prevent losing small parts.



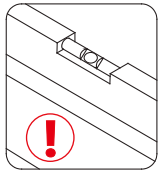
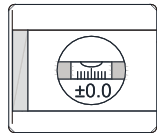
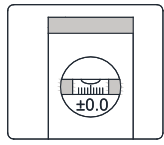
These instructions will show the installation of the shower door. Please follow the same steps for the installation of the tub door.

Threshold must be level; Walls must be plumb.

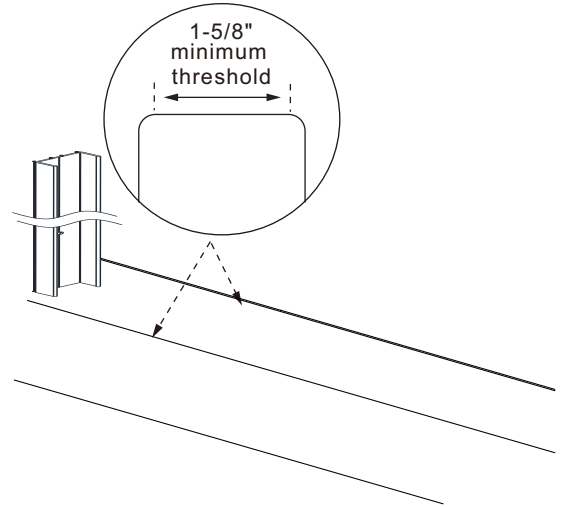
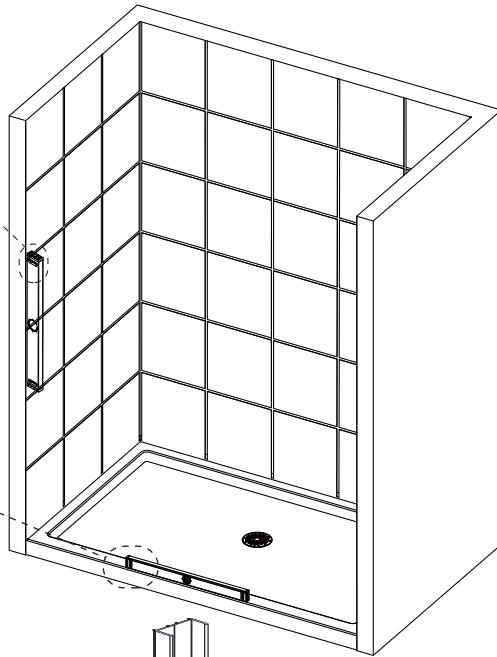
Detailed Diagram of Shower Door Components



Confirm The Tray & The Wall Level

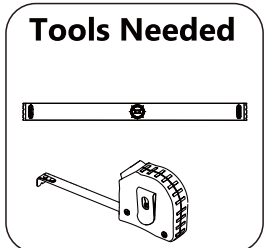
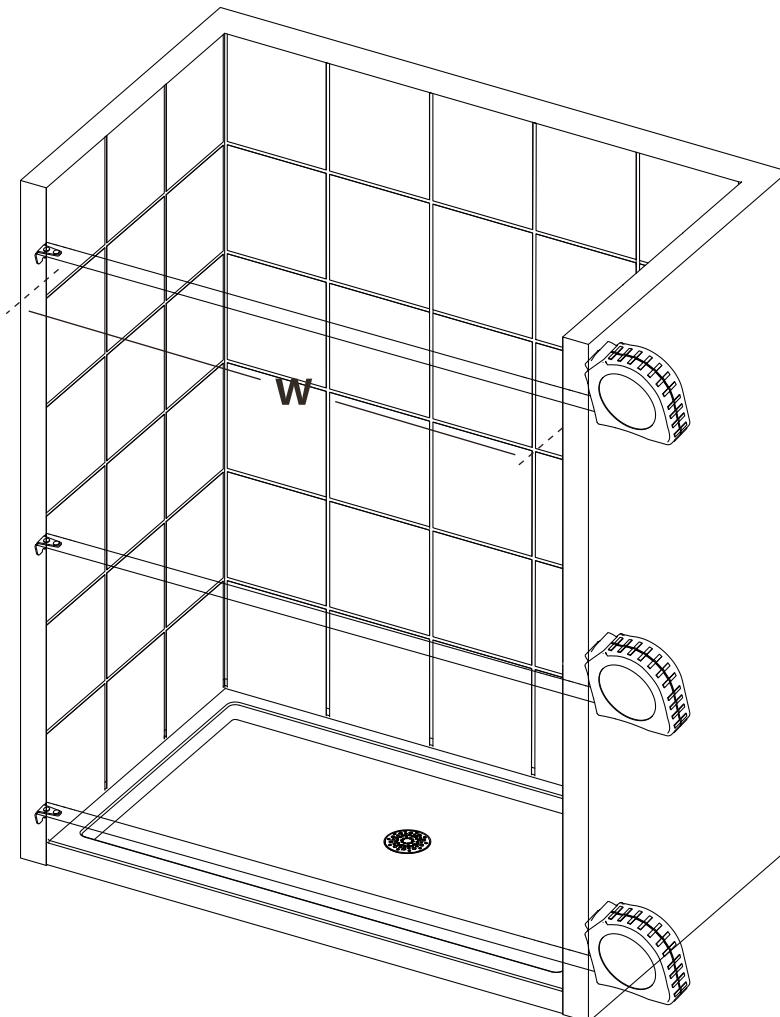
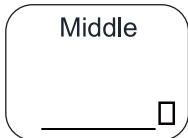
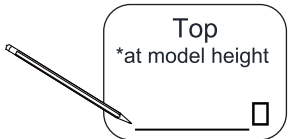


Threshold must be level

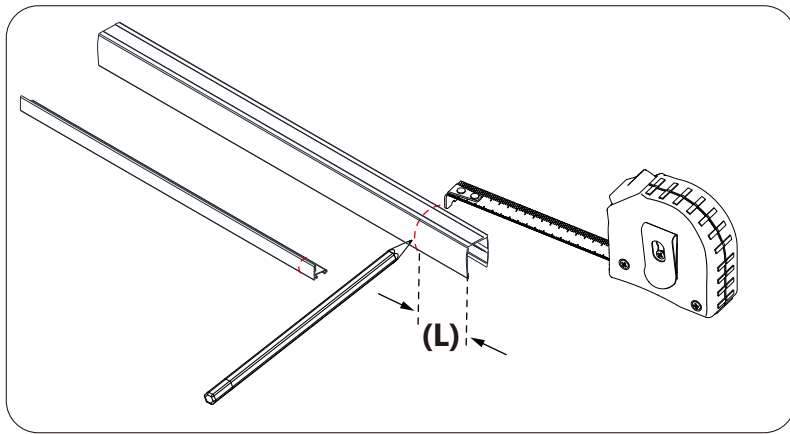


NOTE

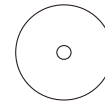
The minimum threshold requirement is 1-5/8" of flat threshold space.



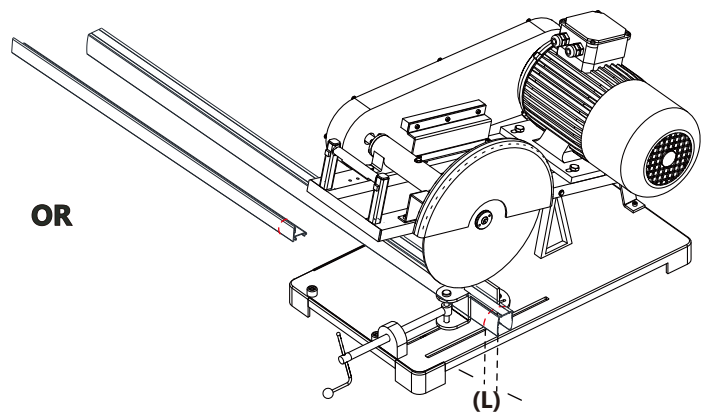
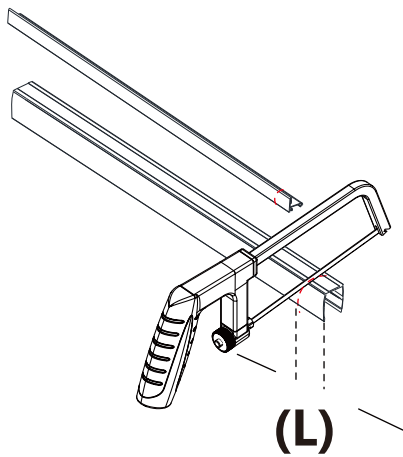
Measure And Cut The Top Guide Rail



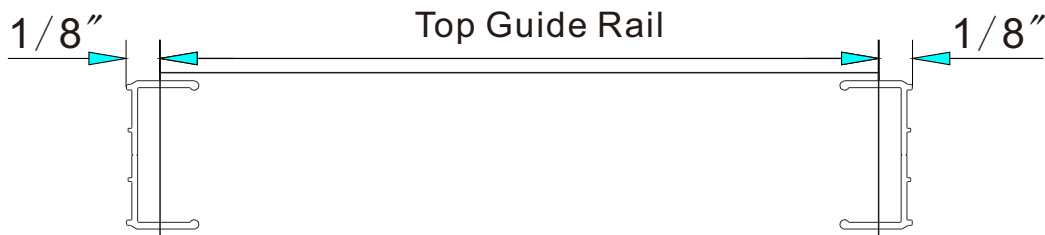
Use a metal file to deburr the cut end



**Use the proper saw blade to cut stainless steel.



OR



Tools Needed

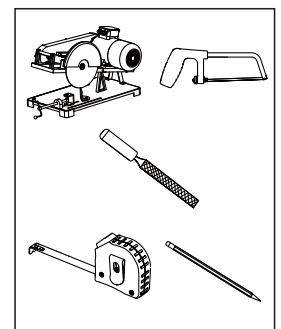
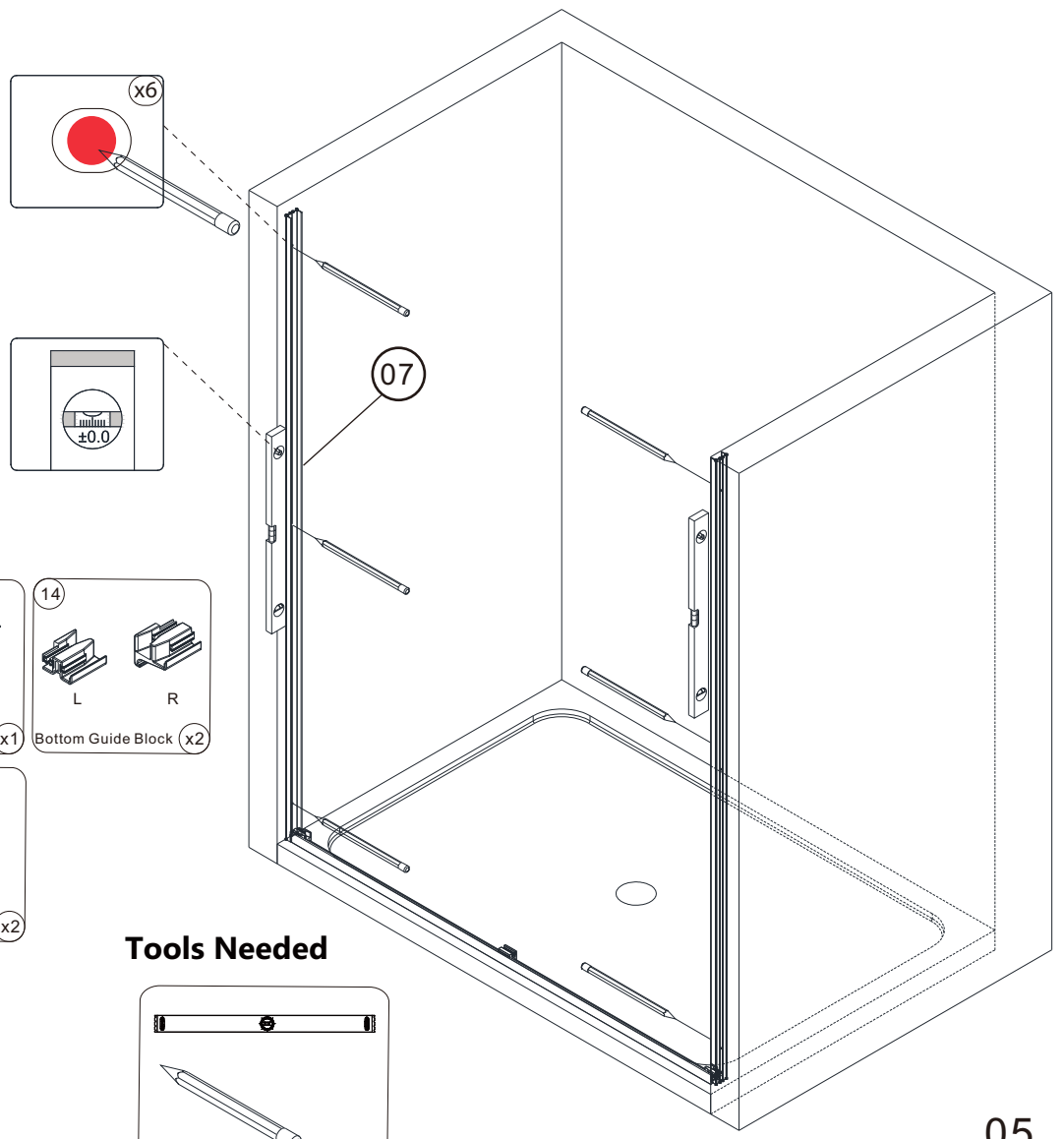
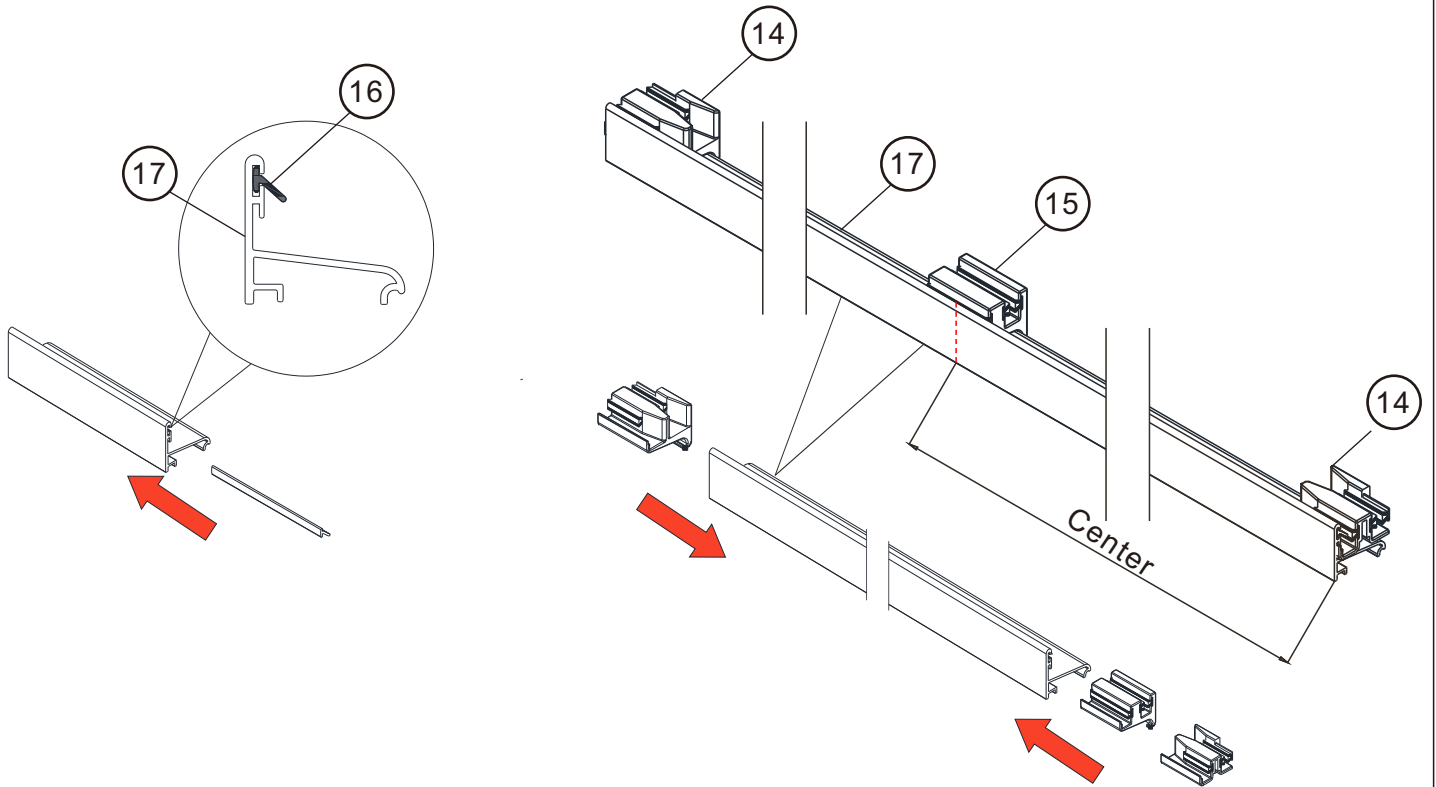


Table of top guide rail

No.	Type	width	Top guide rail	Adjustments
01	shower door	1219(mm) / 48"	1215(mm)/47 7/8"	(1118-1219)mm/44"- 48"
02		1422(mm) / 56"	1418(mm)/55 7/8"	(1320-1422)mm/52"- 56"
03		1524(mm) / 60"	1520(mm)/59 7/8"	(1422-1524)mm/56"- 60"

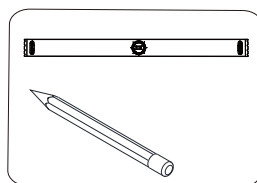
Measurement and Bottom Track Assembly



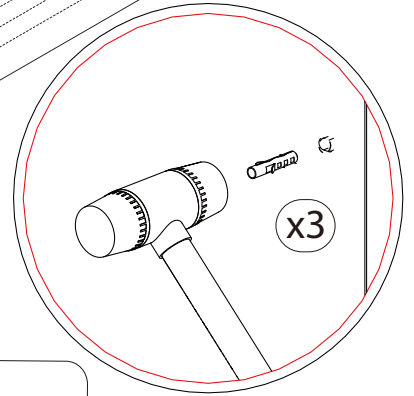
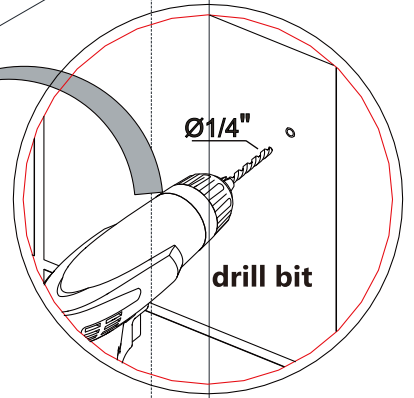
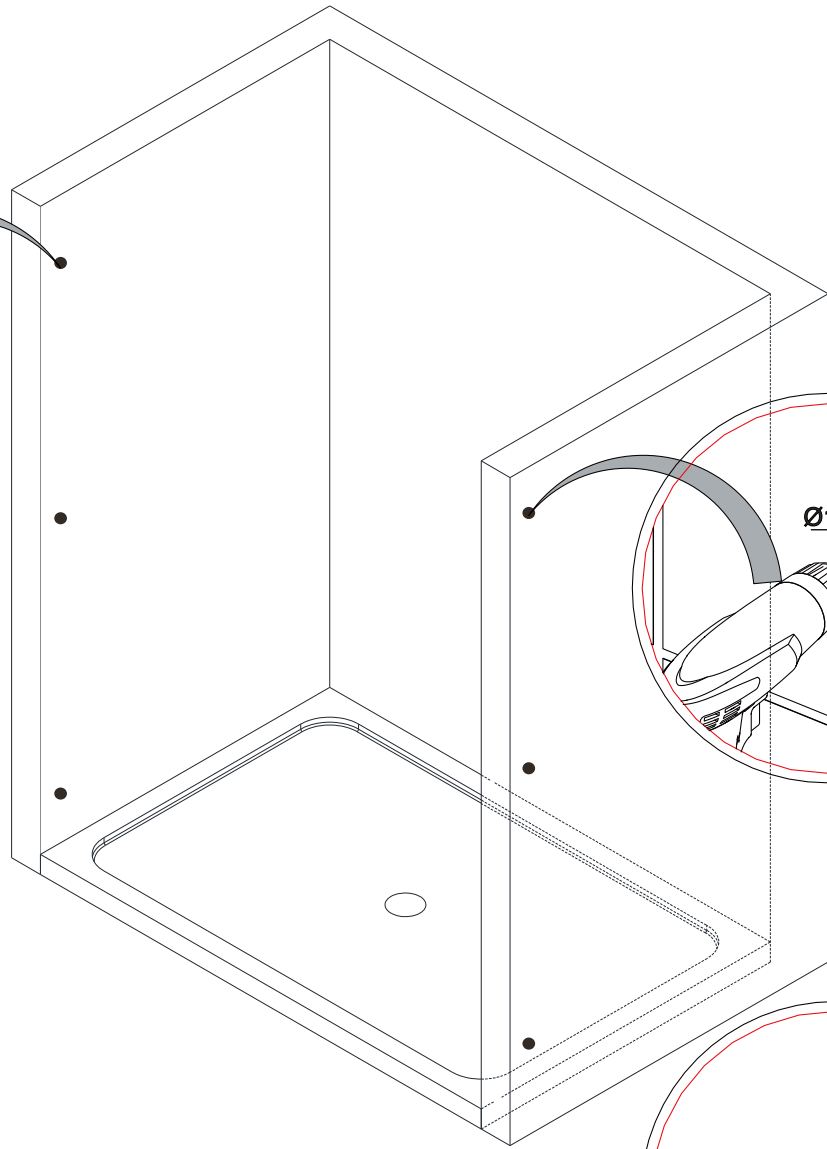
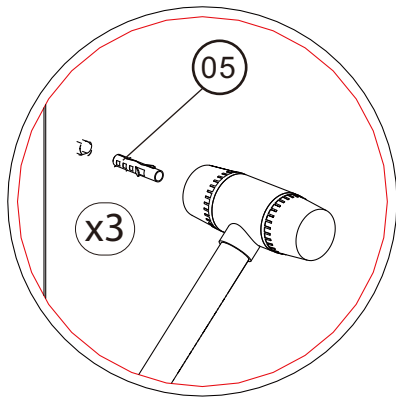
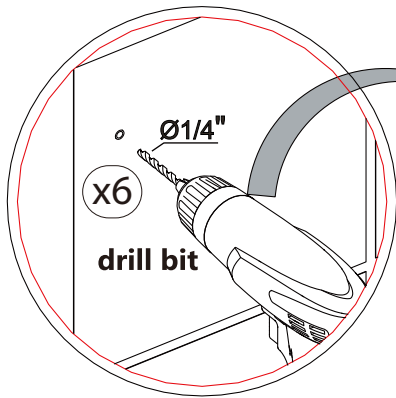
Parts Needed

- (17) Bottom Track (x1)
- (16) Vinyl Seal (x1)
- (14) Bottom Guide Block (x2)
L R
- (15) Bottom Guide Block (x1)
- (07) Wall Jamb (x2)

Tools Needed



Wall anchor



For Guide Rail Brackets:

- **If a stud is present behind the wall:**
drill a $\text{Ø}1/4''$ (6mm) hole up to the stud. (recommended)

OR

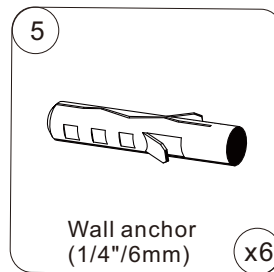
- **If no stud is present behind the wall:**
drill a $\text{Ø}3/8''$ (7mm) hole and install the **Wall Anchor**.

For Wall Brackets:

- **If a stud is present behind the wall:**
drill a $\text{Ø}3/16''$ (4mm) hole up to the stud.

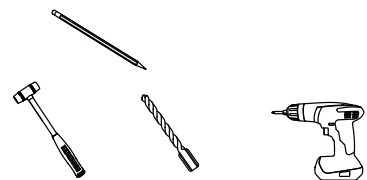
OR

- **If no stud is present behind the wall:**
drill a $\text{Ø}1/4''$ (8mm) hole and install the **Wall Anchor**.



Wall anchor
(1/4\"/>

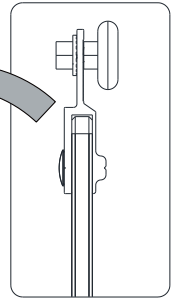
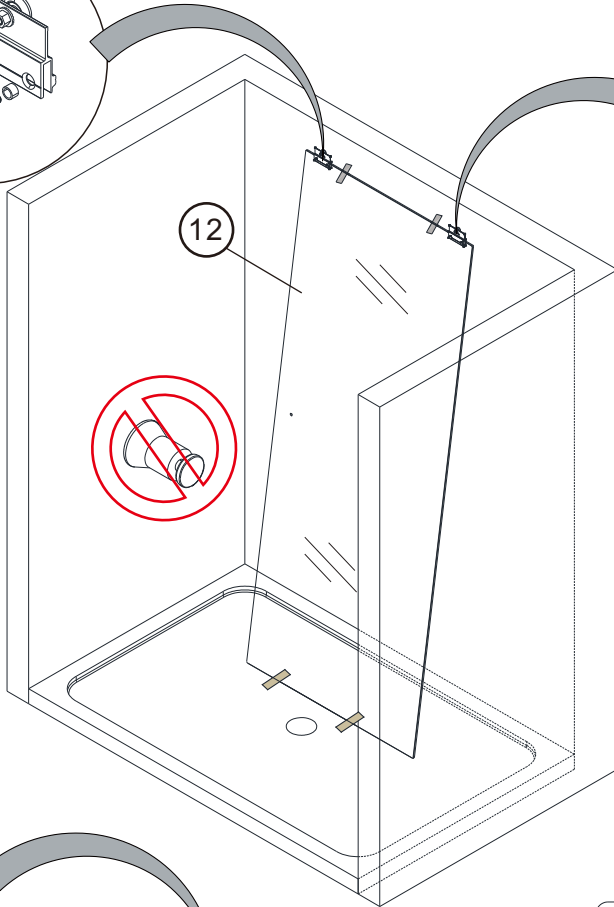
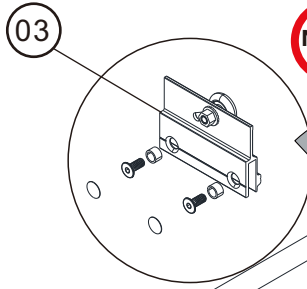
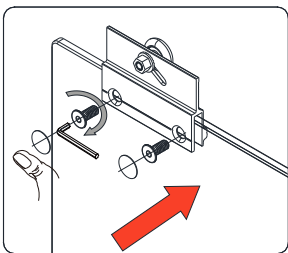
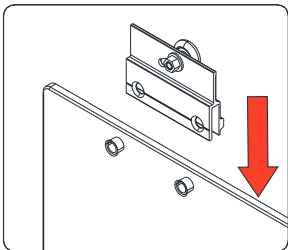
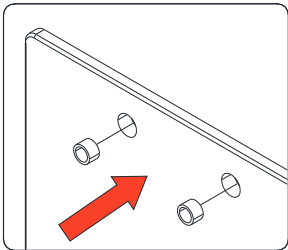
Tools Needed



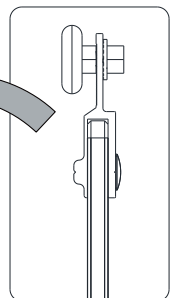
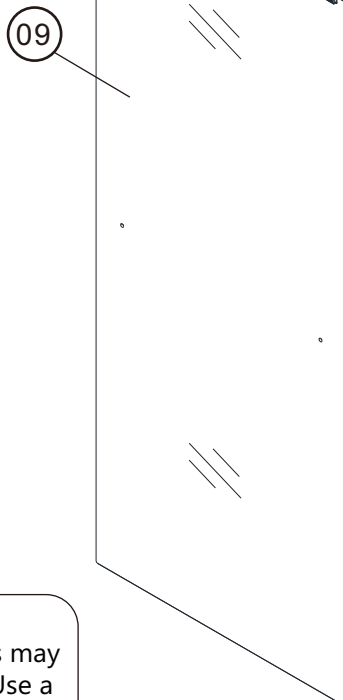
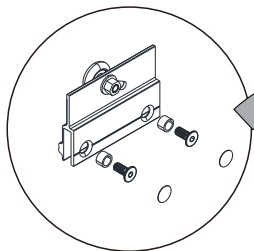
Roller of Installation

Detach the rollers and install them onto the glass panel. Note the installation direction of the roller wheels on the inside and outside door glass.

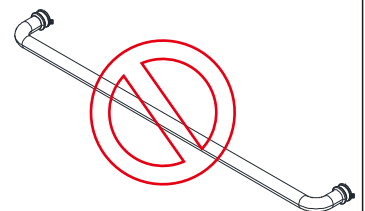
NOTE Leave the corner protectors on the glass until it is necessary to remove them



Installation direction of the pulley



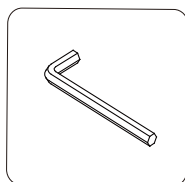
Installation direction of the pulley



Parts Needed

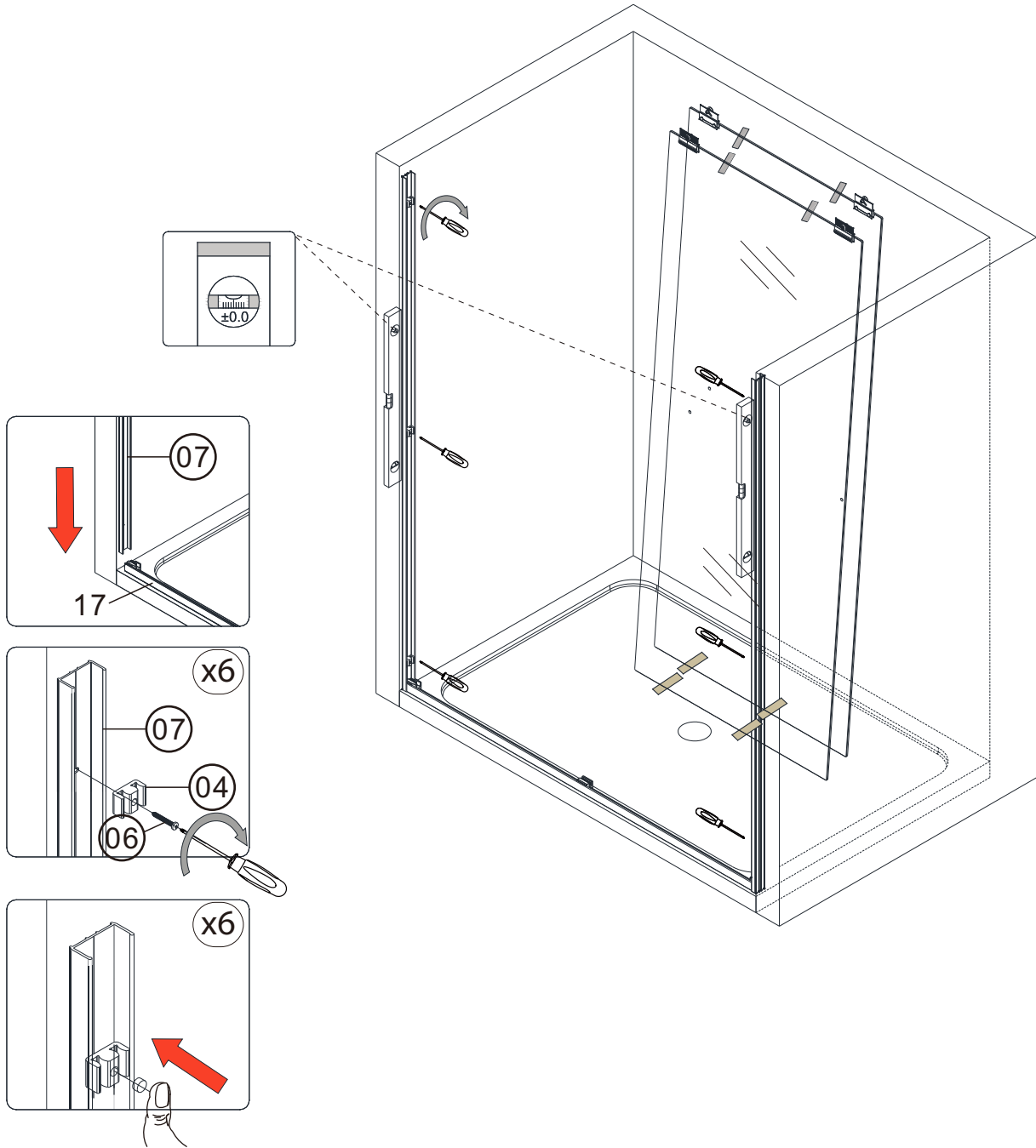


Tools Needed

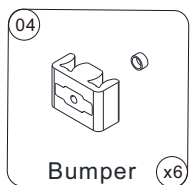


DO NOT attach the handle to the Door Glass until instructed.
DO NOT attempt to lift the Door Glass with the handle as this may result in damage to the glass and/or serious personal injury. Use a professional grade glass suction cup and an assistant.

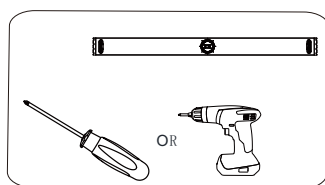
Wall Jamb Installation



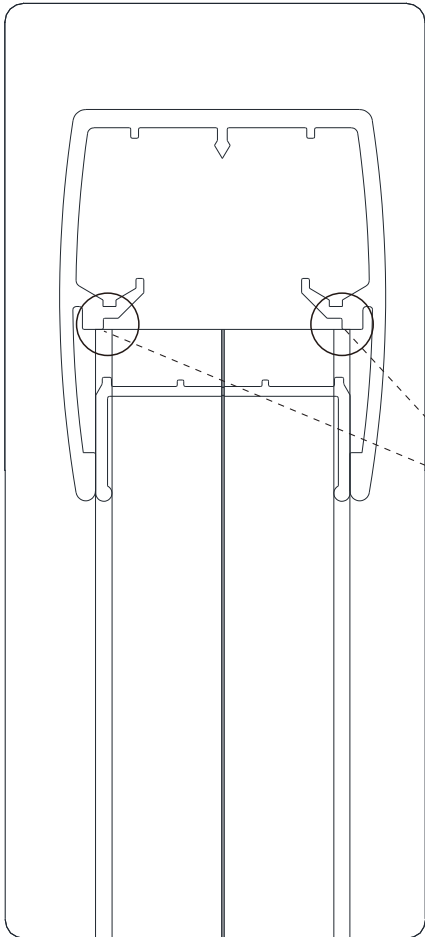
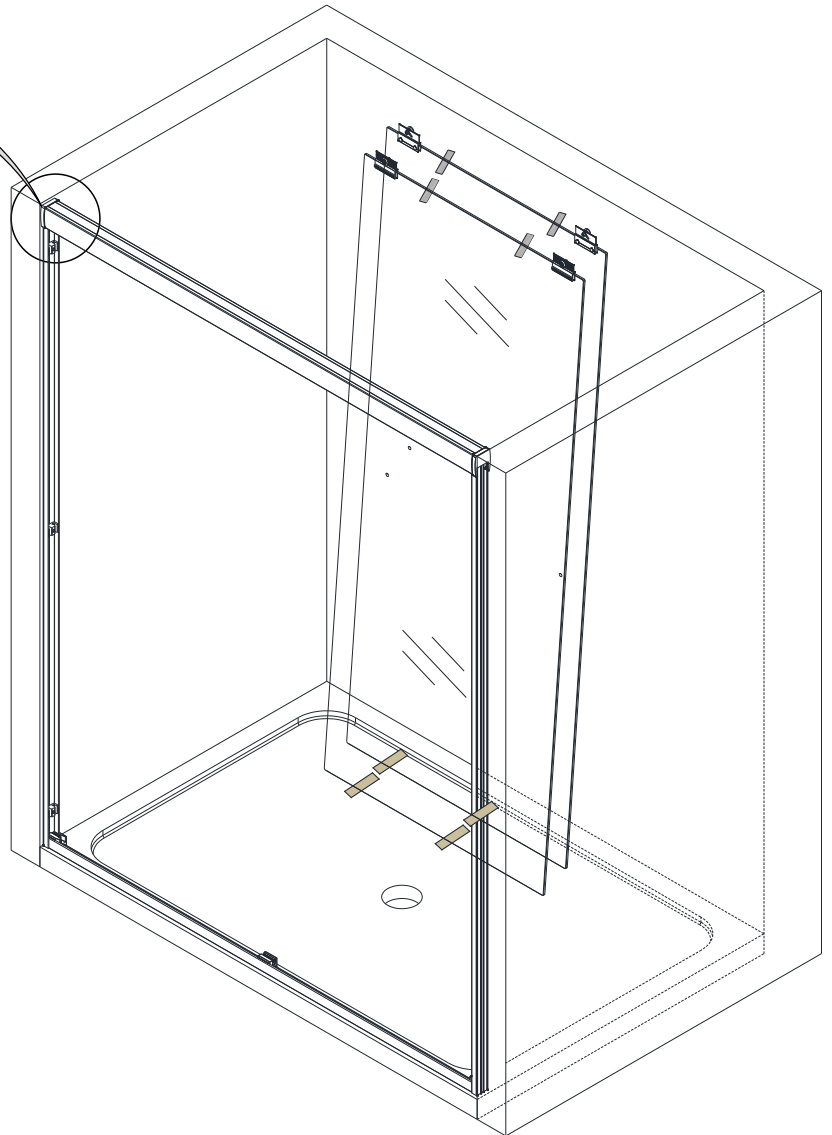
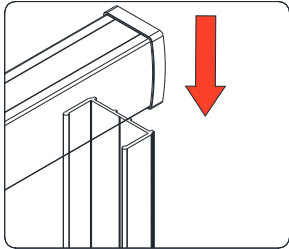
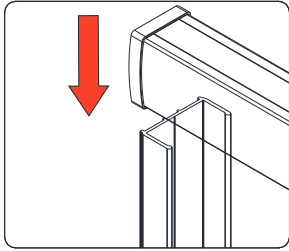
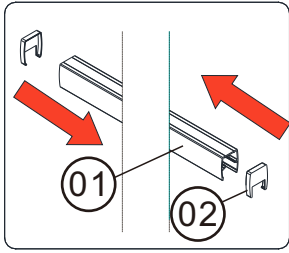
Parts Needed



Tools Needed

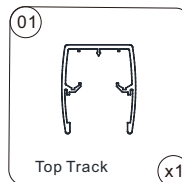


Top Track Installation

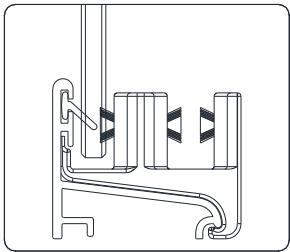
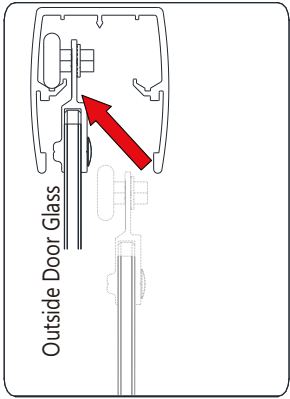


The flat end of the top rail must fit flush with the top of the wall jamb

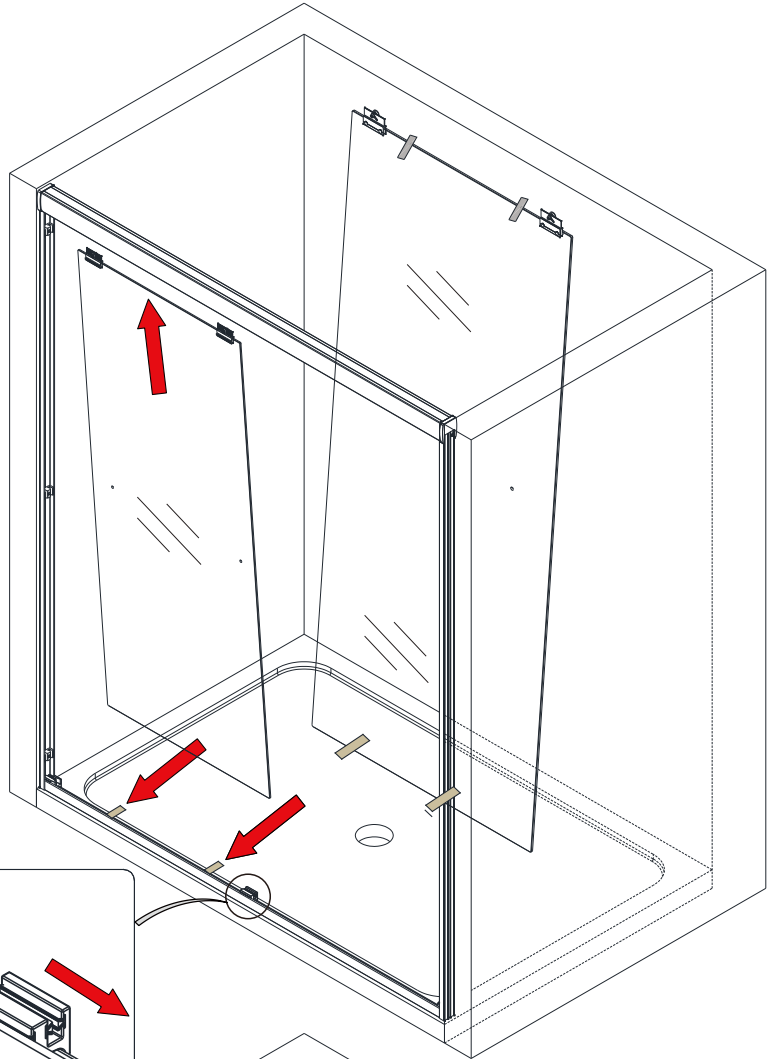
Parts Needed



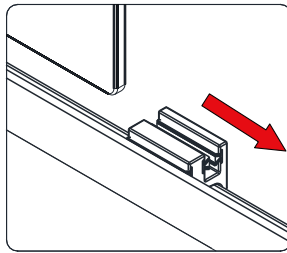
Outside Door Glass Installation



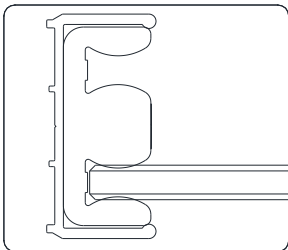
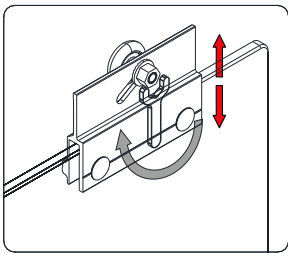
The glass surface with the easy clean label must be installed to face inside of the shower



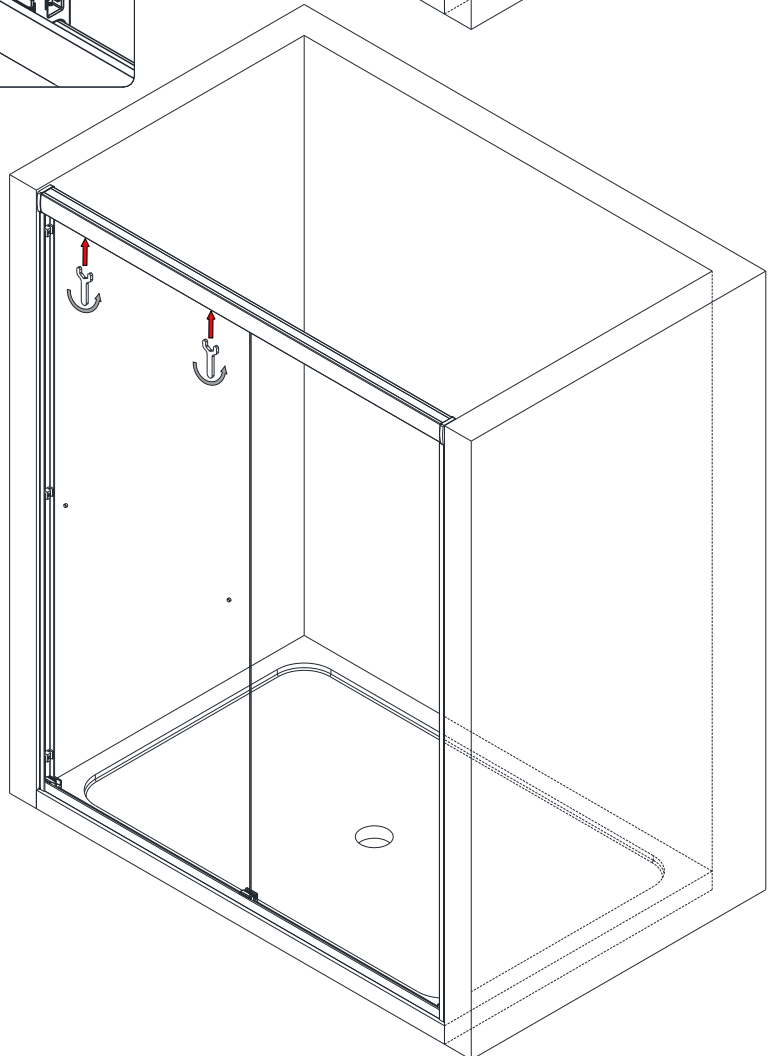
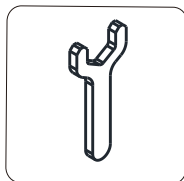
Be careful to protect the edges of the glass. Cushion the underside of the glass and between the two glass



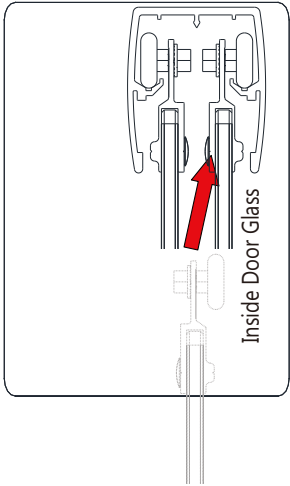
When the glass does not align with the bumper, adjust the rollers up or down until the glass fits into the bumper slot.



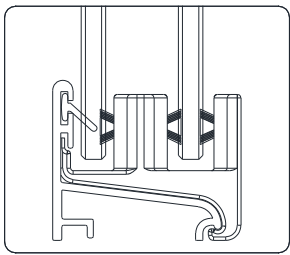
Tools Needed



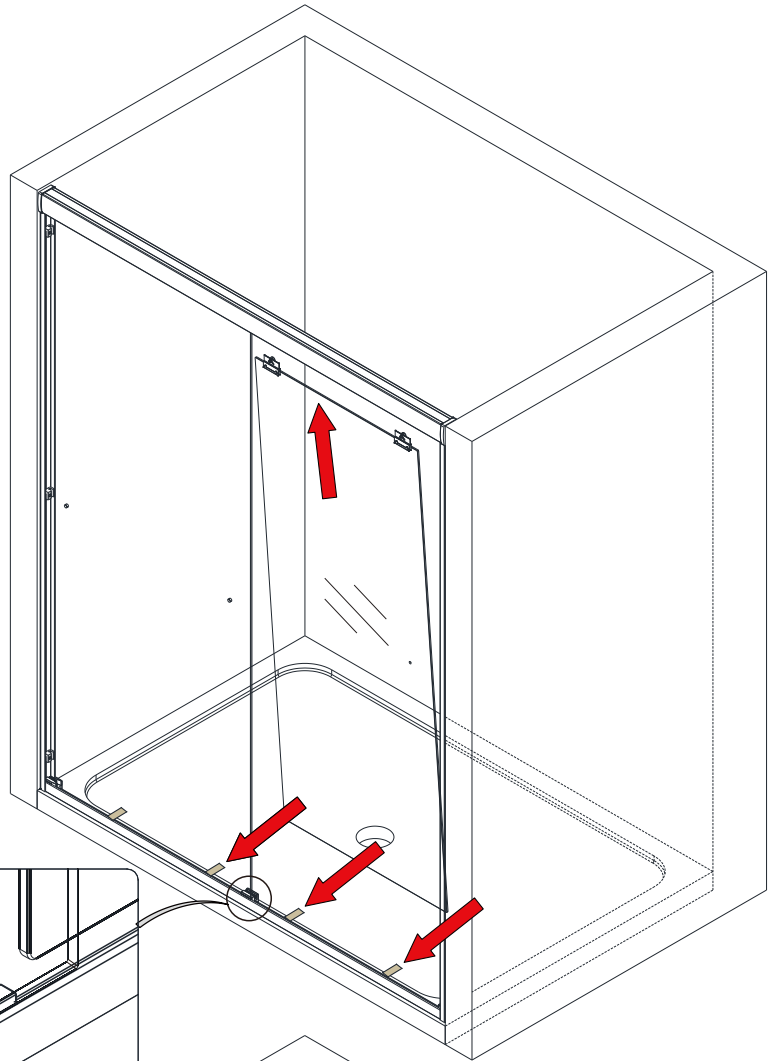
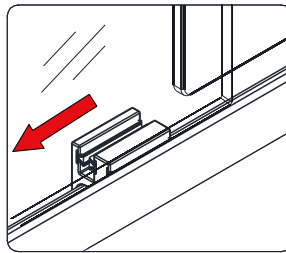
Inside Door Glass Installation



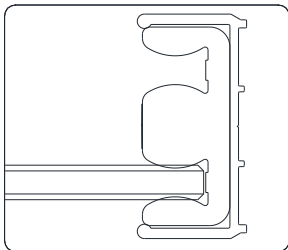
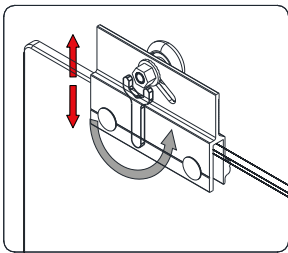
The glass surface with the easy clean label must be installed to face inside of the shower



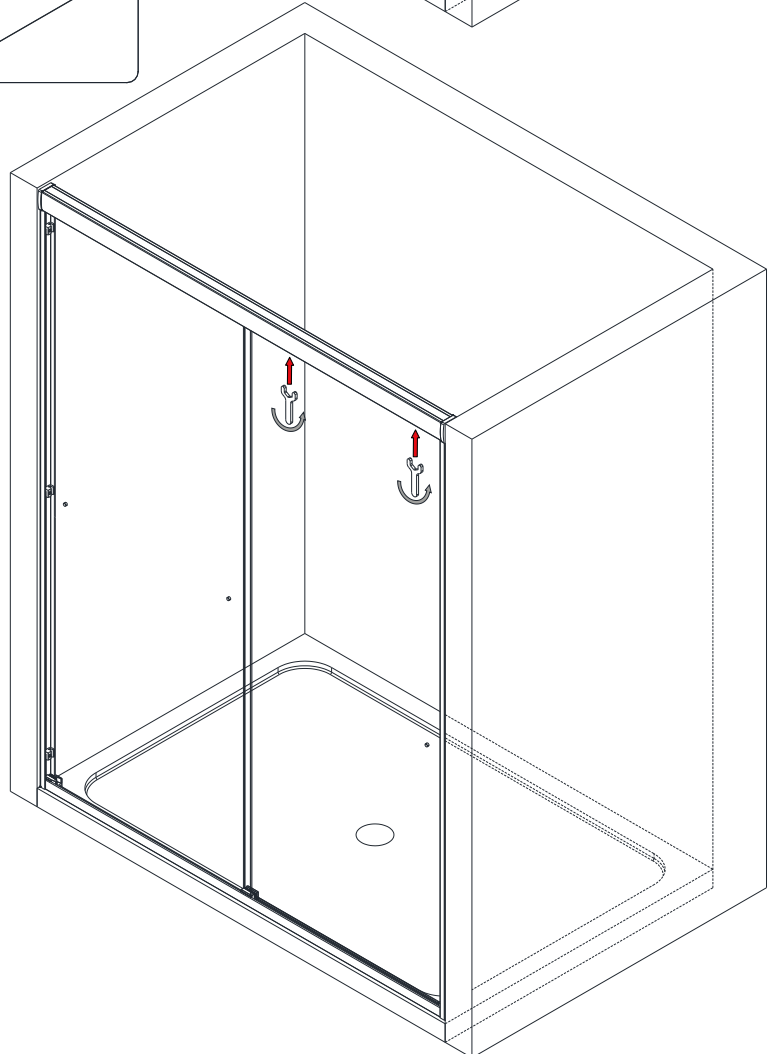
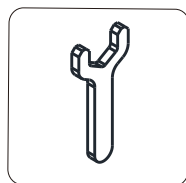
Be careful to protect the edges of the glass. Cushion the underside of the glass and between the two glass



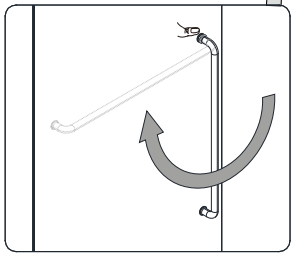
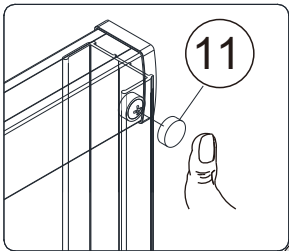
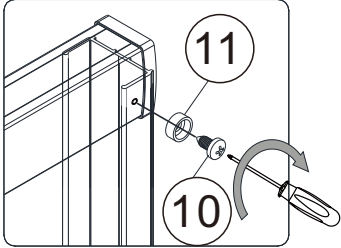
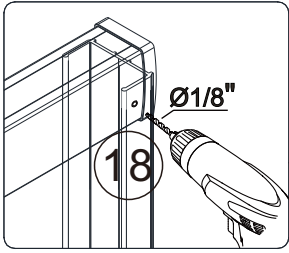
When the glass does not align with the bumper, adjust the rollers up or down until the glass fits into the bumper slot.



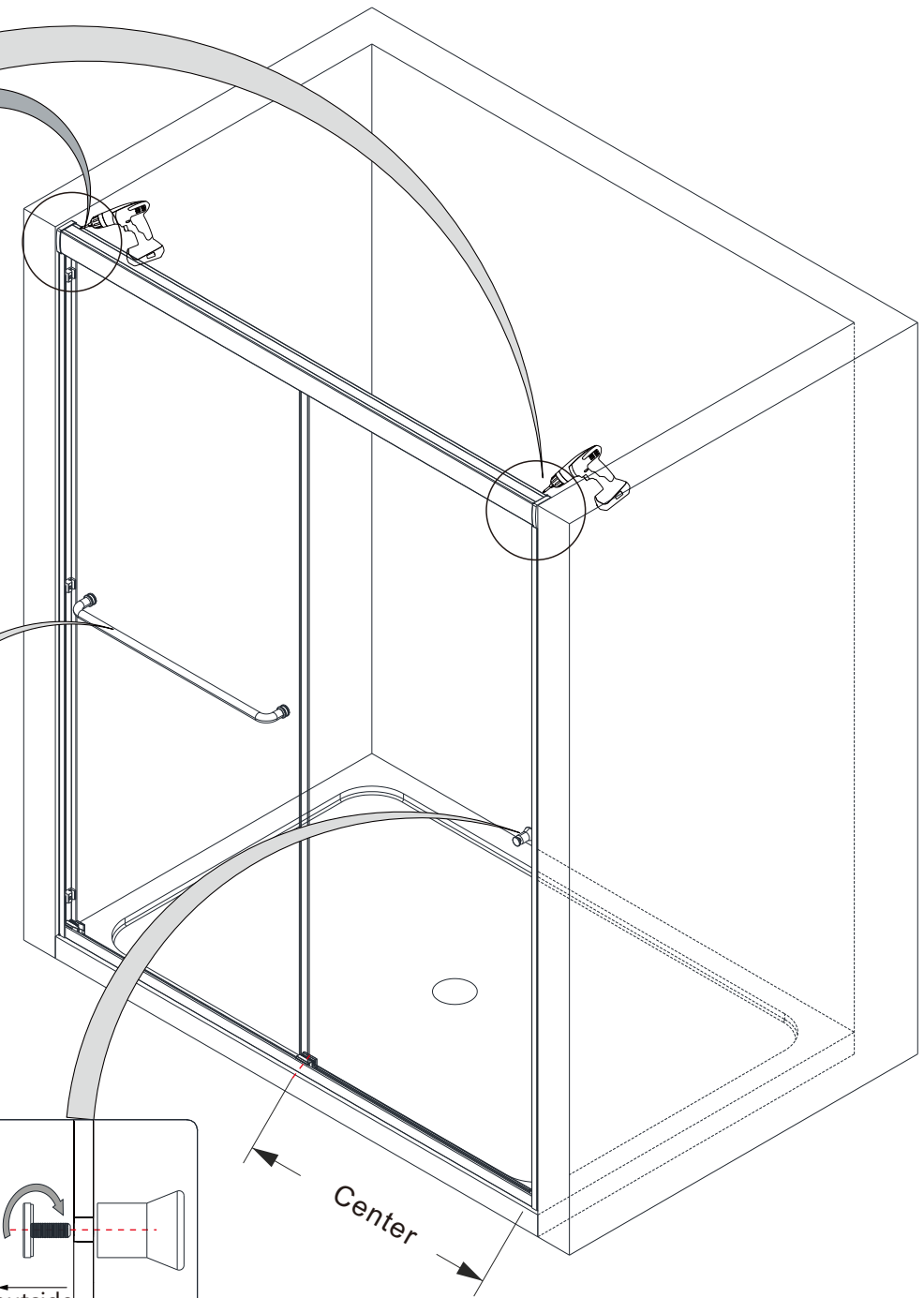
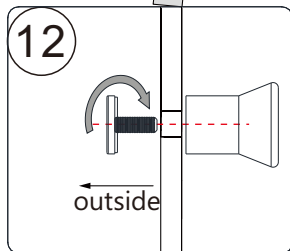
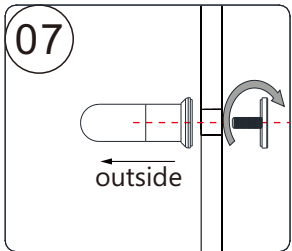
Tools Needed



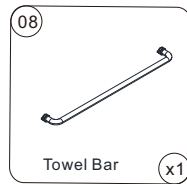
Top Track Fixing and Handle Installation



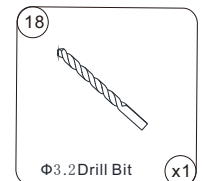
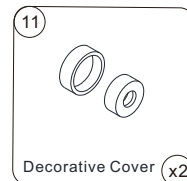
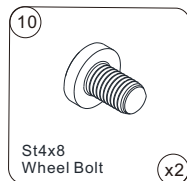
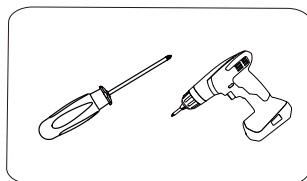
Rotate the handle to tighten and lock it in place



Parts Needed

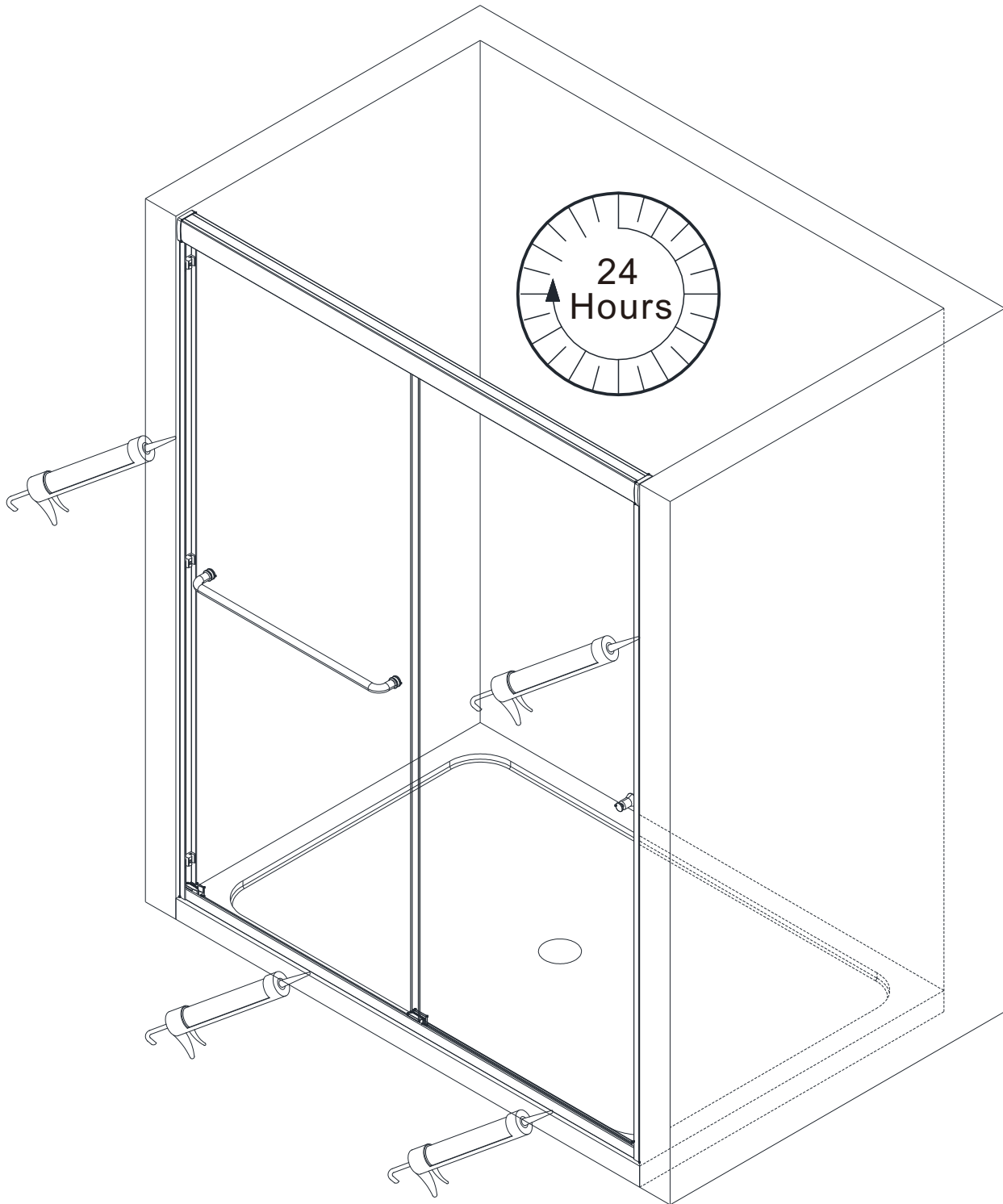


Tools Needed





The surfaces need to be clean and free of debris before applying silicone.



Allow 24 hours for the silicone to cure before using the shower.

Do not return product to store. Contact us with any questions.
Add: 830 N Central Ave, Upland, CA 91786
Web: www.ibathwiller.com
Email: supports@ibathwiller.com
TEL: 909-282-5408