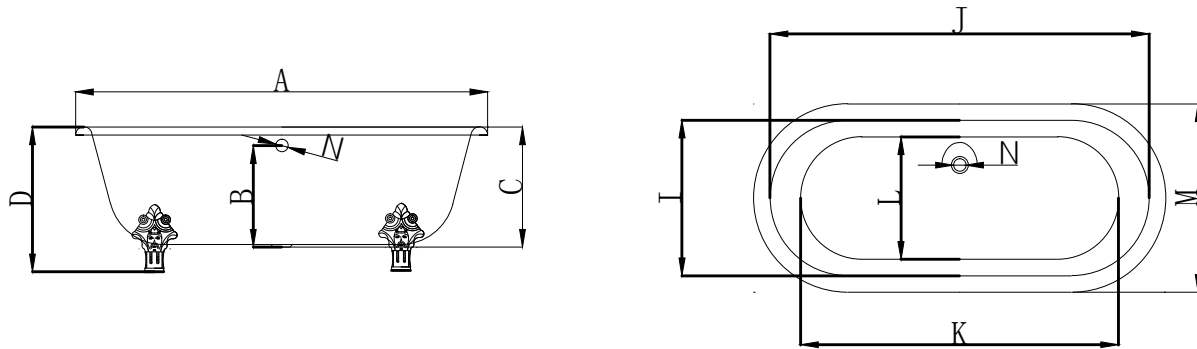


# Schematic

Cast Iron Double Ended Clawfoot Bathtub  
by Randolph Morris

Cast Iron



## DIMENSIONS (INCHES)

|    | A  | B  | C                | D                | E | F | G | H | I  | J                | K                | L  | M                | N |
|----|----|----|------------------|------------------|---|---|---|---|----|------------------|------------------|----|------------------|---|
| 72 | 72 | 16 | 19 $\frac{2}{3}$ | 25 $\frac{3}{5}$ | - | - | - | - | 26 | 66 $\frac{1}{2}$ | 52 $\frac{1}{3}$ | 17 | 31 $\frac{1}{2}$ | 2 |
| 69 | 69 | 16 | 19 $\frac{2}{3}$ | 25 $\frac{3}{5}$ | - | - | - | - | 26 | 63 $\frac{2}{5}$ | 49 $\frac{1}{5}$ | 17 | 31 $\frac{1}{2}$ | 2 |
| 66 | 66 | 16 | 19 $\frac{2}{3}$ | 25 $\frac{3}{5}$ | - | - | - | - | 26 | 60 $\frac{2}{3}$ | 46 $\frac{2}{5}$ | 17 | 31 $\frac{1}{2}$ | 2 |
| 61 | 61 | 16 | 19 $\frac{2}{3}$ | 25 $\frac{3}{5}$ | - | - | - | - | 26 | 55 $\frac{1}{2}$ | 41 $\frac{1}{3}$ | 17 | 31 $\frac{1}{2}$ | 2 |

|                  | 72   | 69  | 66  | 61  |
|------------------|------|-----|-----|-----|
| EMPTY (LB)       | 385  | 363 | 341 | 319 |
| FILLED (LB)      | 1000 | 935 | 869 | 803 |
| CAPACITY (GAL)   | 74   | 69  | 63  | 58  |
| WATER DEPTH (IN) | 16   | 16  | 16  | 16  |

All products and specifications are subject to change without notice. Randolph Morris is not responsible for typographical and/or dimensional errors. Typographical errors are subject to correction.

Note: Rough-in dimensions may vary +/- 1/2" and are subject to change. No responsibility is assumed by Randolph Morris.