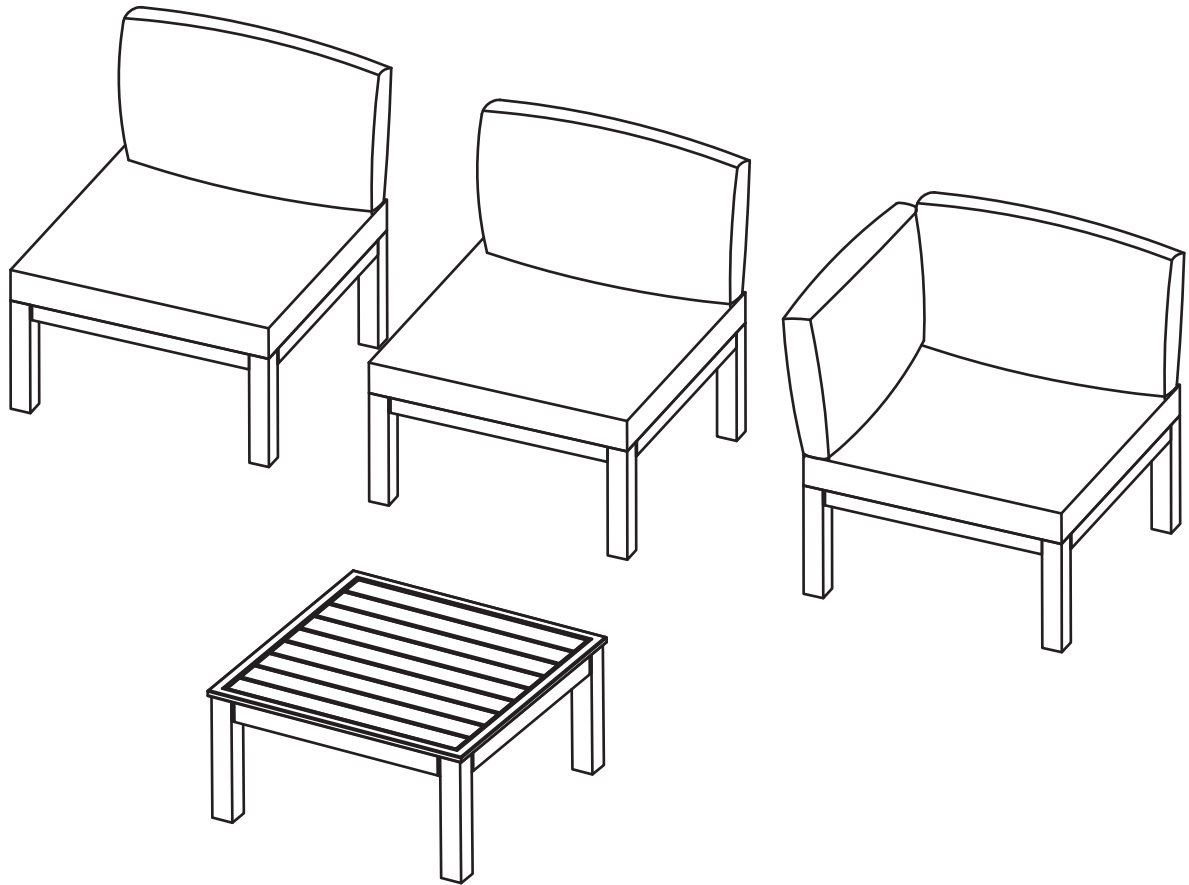


# ASSEMBLY INSTRUCTIONS

## Patio Sectional Sofa

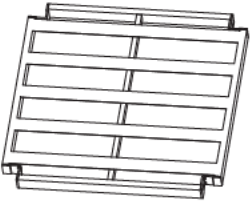
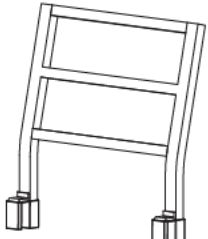
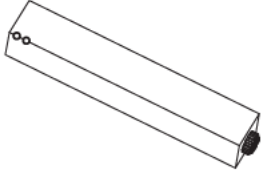
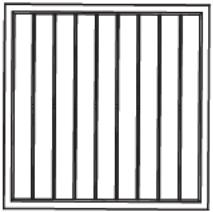

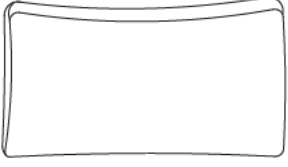


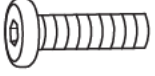


Thanks for choosing our product. Please kindly check parts listed below and read this manual carefully, then assemble them step by step. Please feel free to contact us for any questions.



### Attention

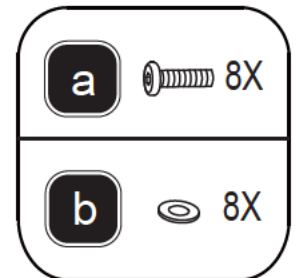
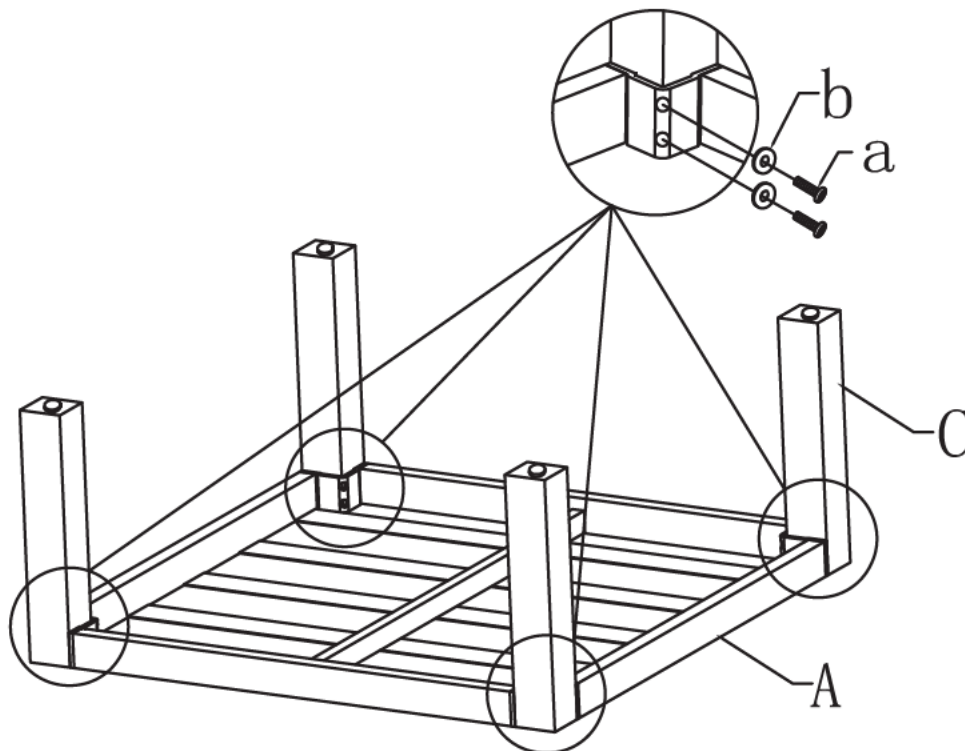
1. We care about every customer's feeling, please feel free to contact us if you have any problem. We will help you to offer the best solution.
2. We recommend to use waterproof furniture cover for entire Patio Sectional Sofa which better helps you to protect your sofa set outside.
3. Please keep your children away when you assemble. This item contains small parts which can be swallowed by kids just in case.
4. THE SOFA SET COMES WITH 2 SEPARATE BOXES AND MAY ARRIVE AT DIFFERENT TIME, PLEASE BE PATIENT!

## Parts List

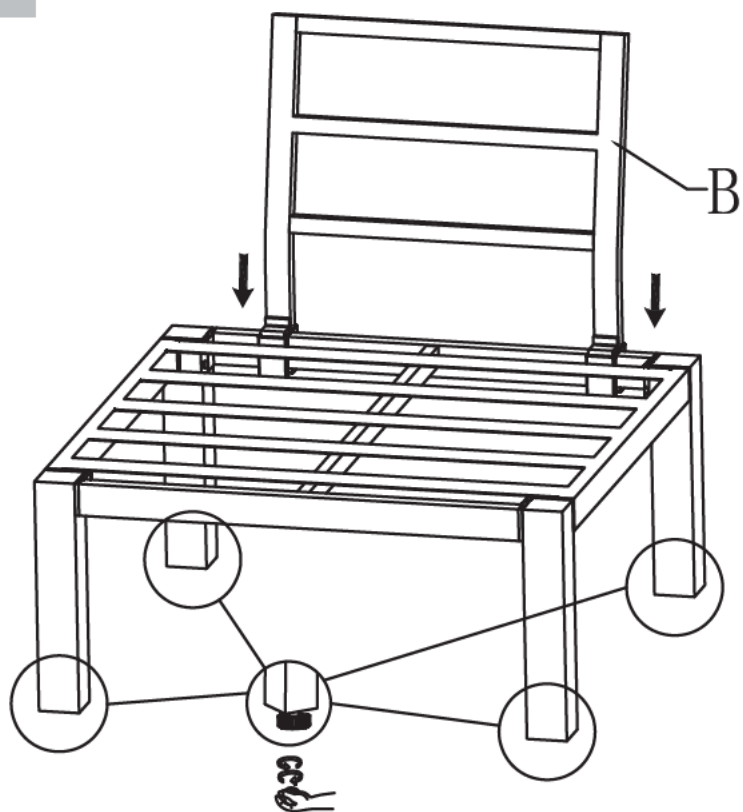
|   |   |   |   |
|---|---|---|---|
| <b>A</b> X3<br><br>Seat Panel    | <b>B</b> X4<br><br>Backrest Panel        | <b>C</b> X16<br><br>Chair Leg             | <b>D</b> X1<br><br>Table Panel |
| <b>E</b> X3<br><br>Seat Cushion   | <b>F</b> X3<br><br>Long Backrest Cushion | <b>G</b> X1<br><br>Short Backrest Cushion | <b>H</b> X6<br><br>Clip        |
| <b>a</b> X32<br><br>Bolt M8×35mm | <b>b</b> X32<br><br>Washer               | <b>c</b> X1<br><br>Allen Key              |   |

## Assembly Instruction

### STEP1

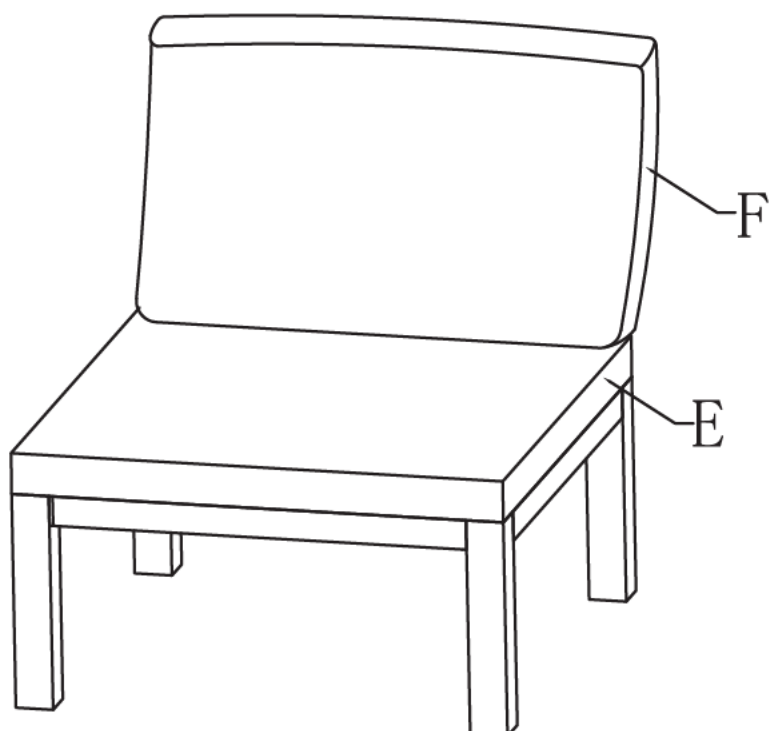


STEP2



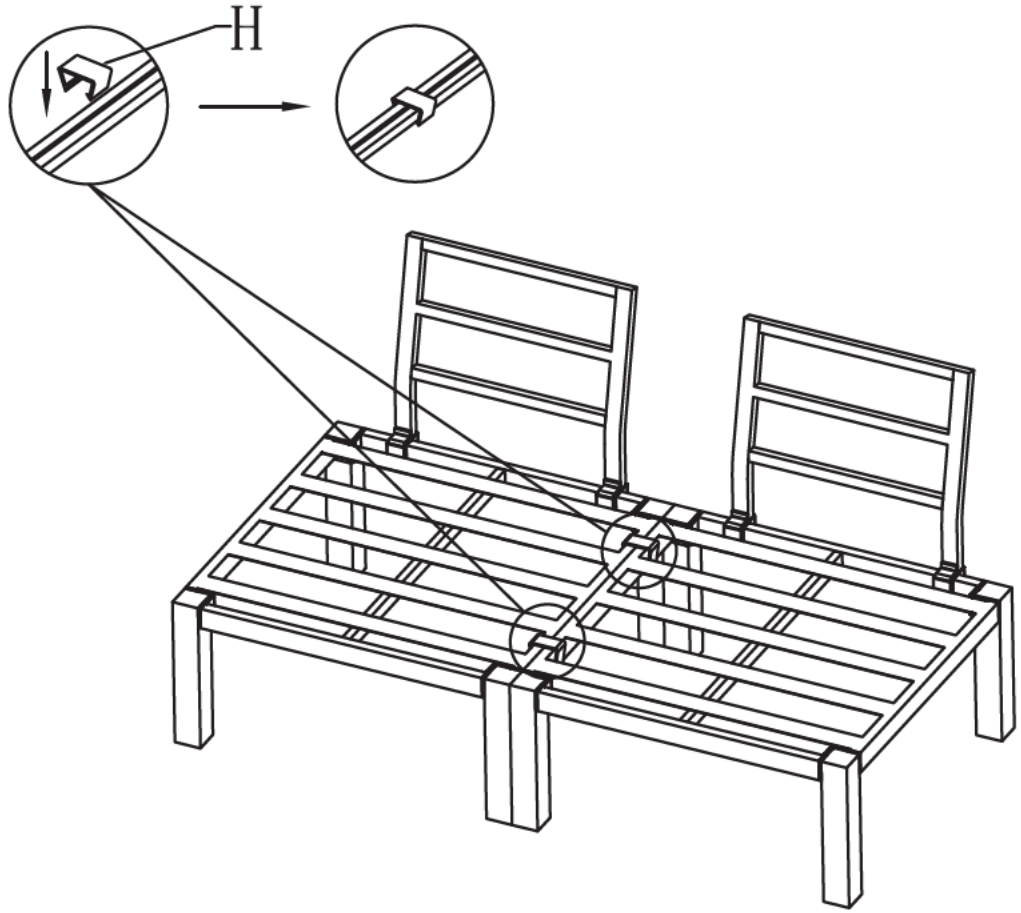
Kindly note you can use adjustable screws at the bottom to keep the whole chair in balance.

STEP3

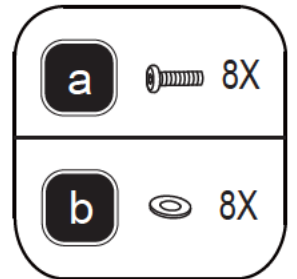
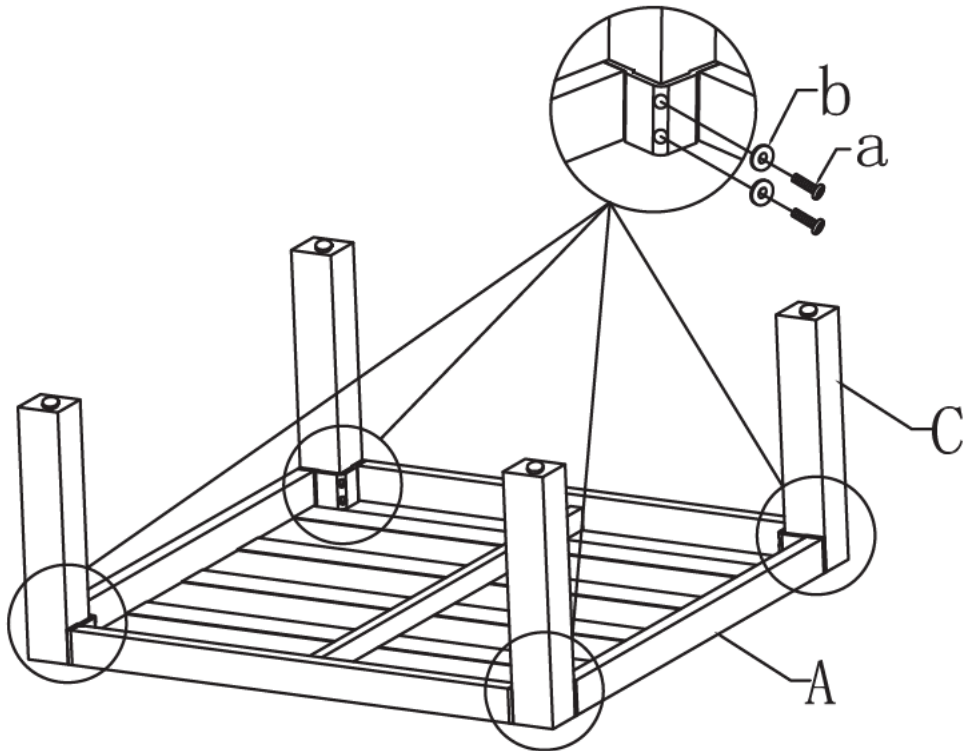


# Assembly Instruction

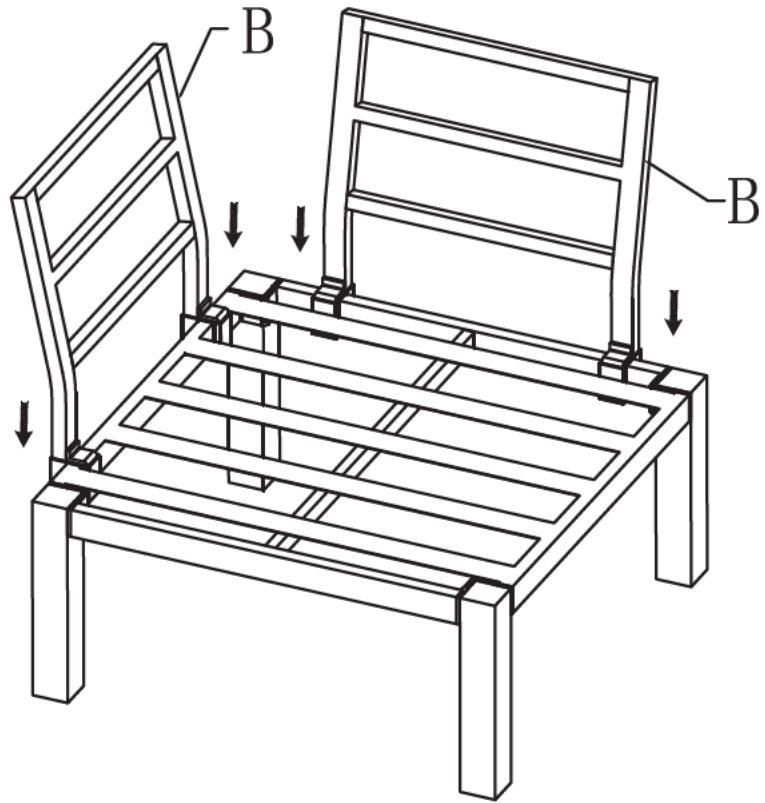
STEP4



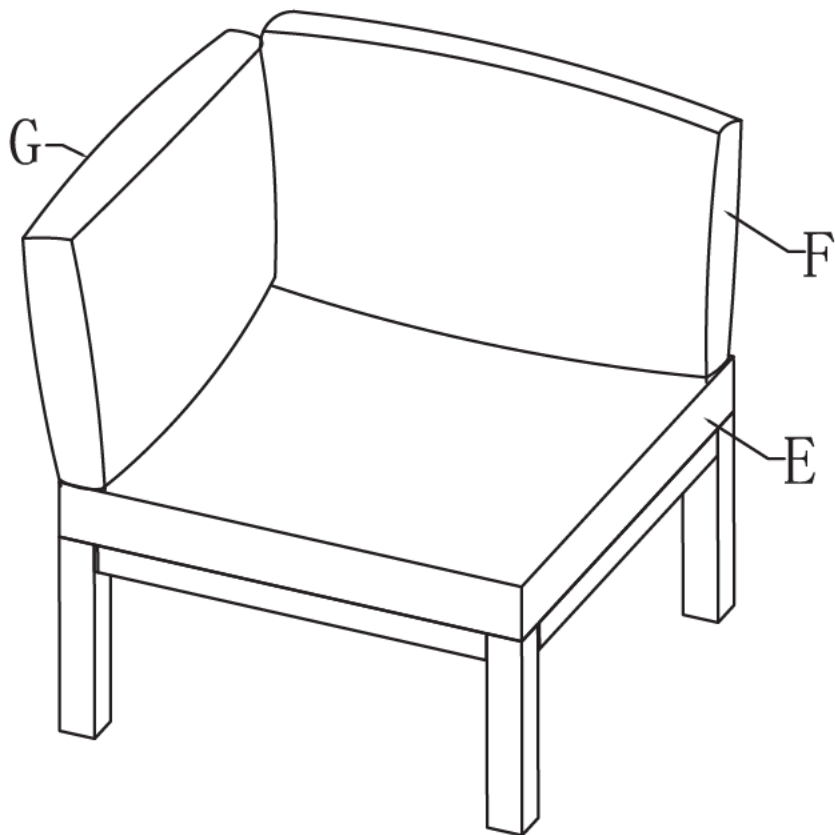
STEP5



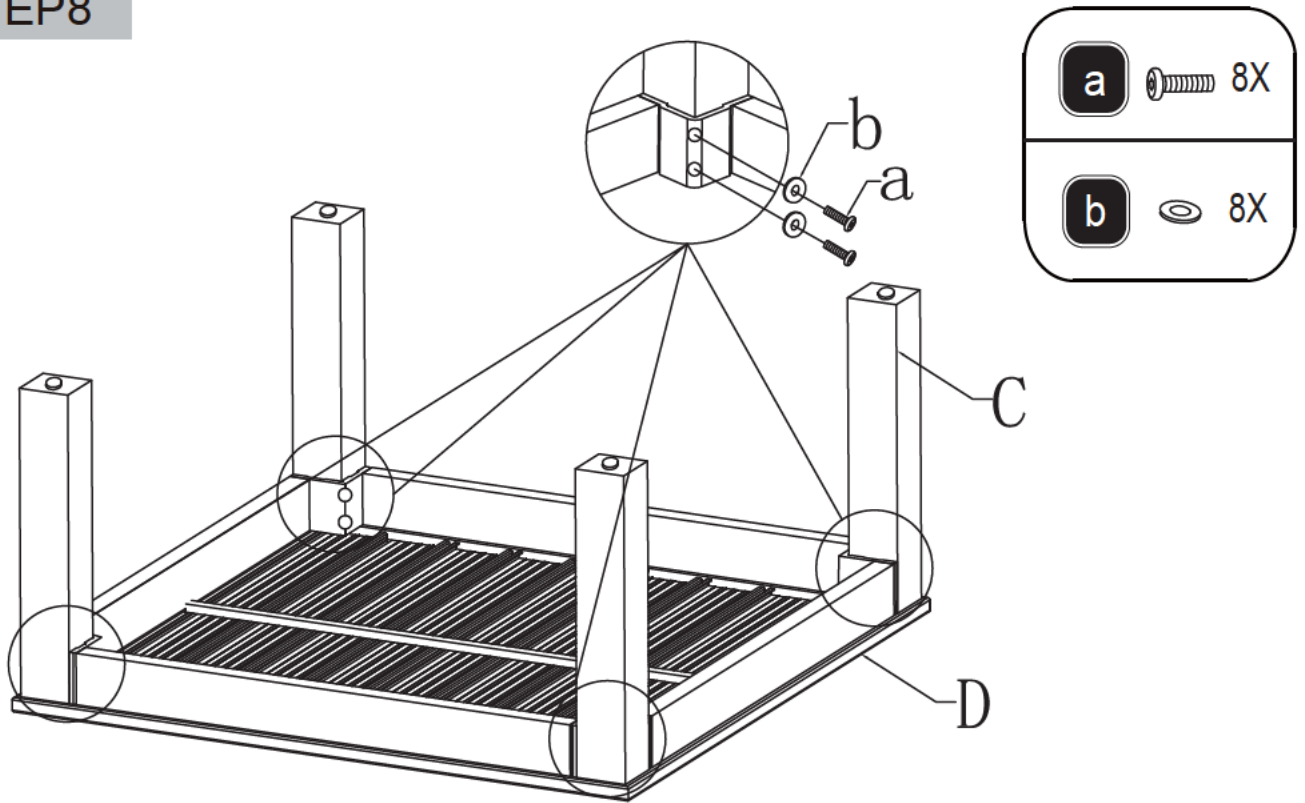
STEP6



STEP7

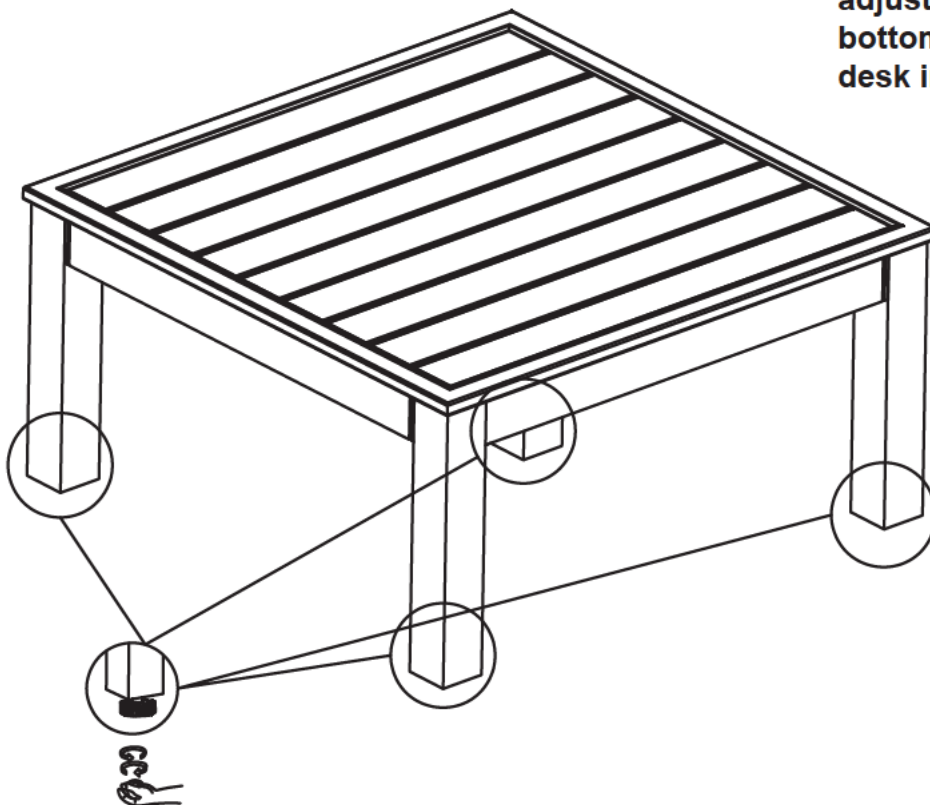


STEP8

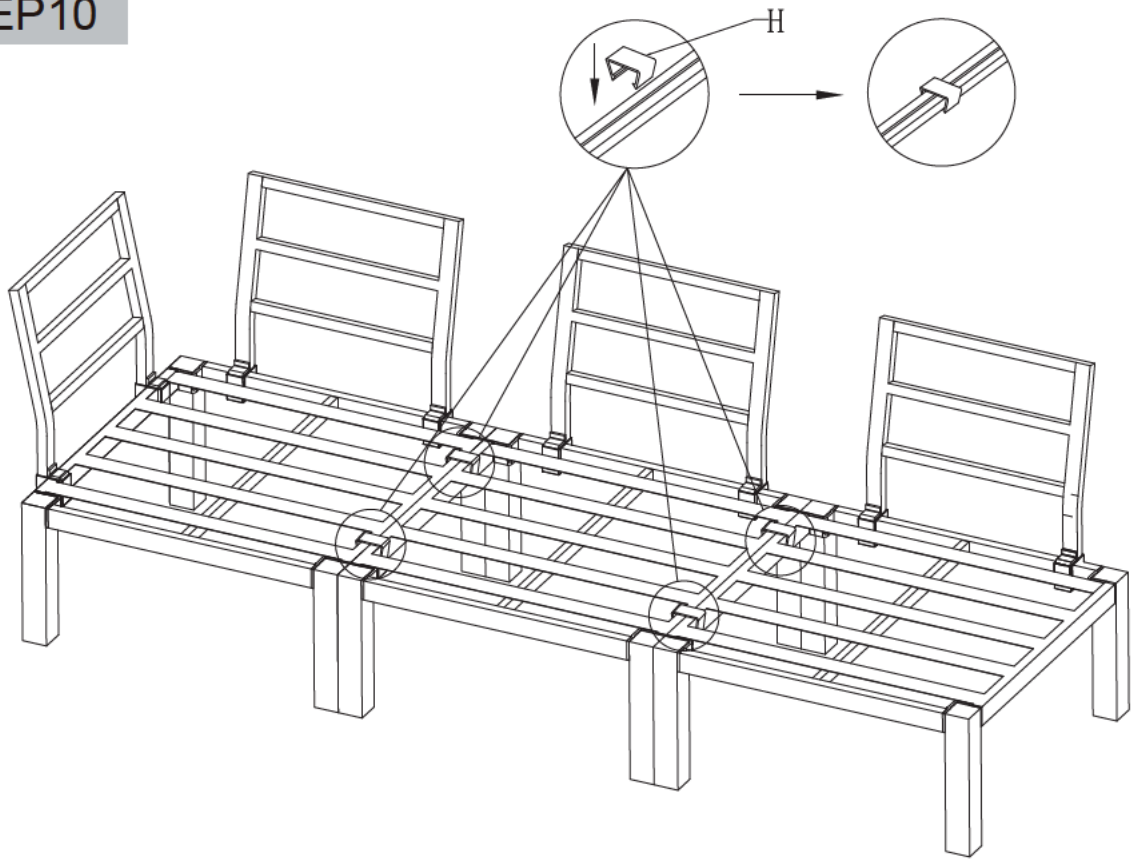


STEP9

Kindly note you can use adjustable screws at the bottom to keep the whole desk in balance.



**STEP 10**



**FINISH!**

