

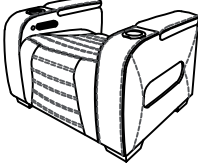


Assembly Instruction

Power Reclining Chair with Power Headrest,
Cup holder, Storage Arms, Air Massage,
Heat, LED Lighting and Charging Ports

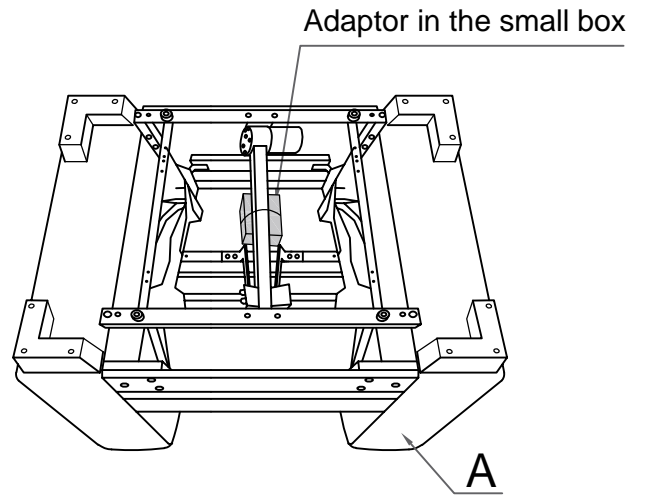
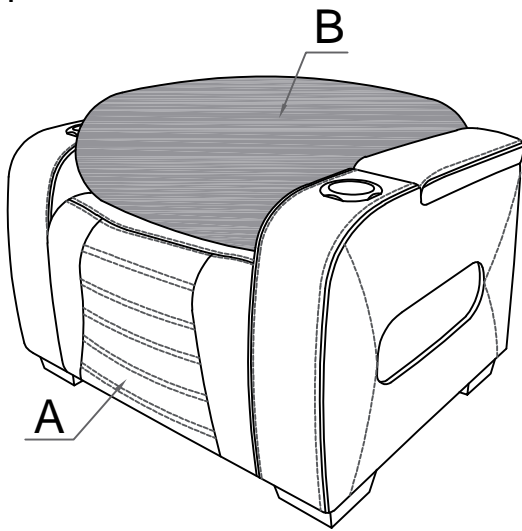


Note: Do not use power tools for assembly. Power tools increase the risk of over tightening which lead to splitting or cracking the wood.

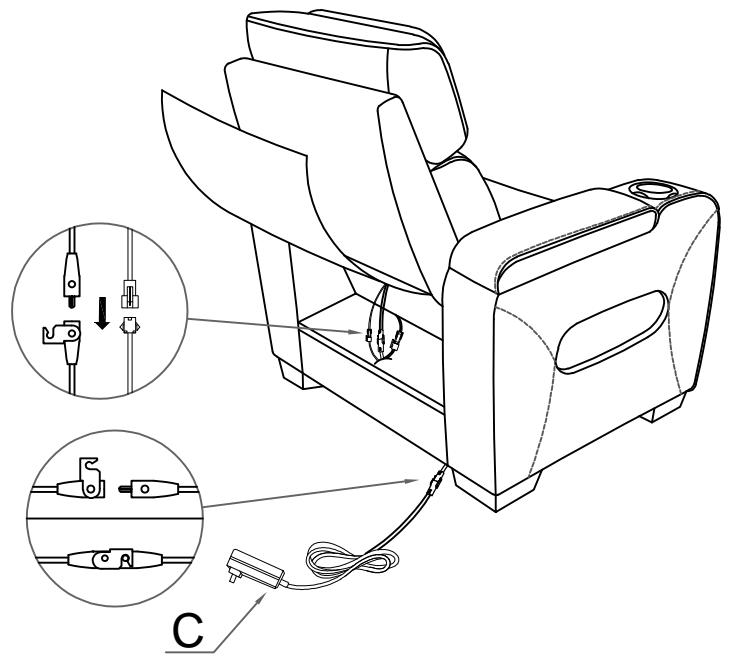
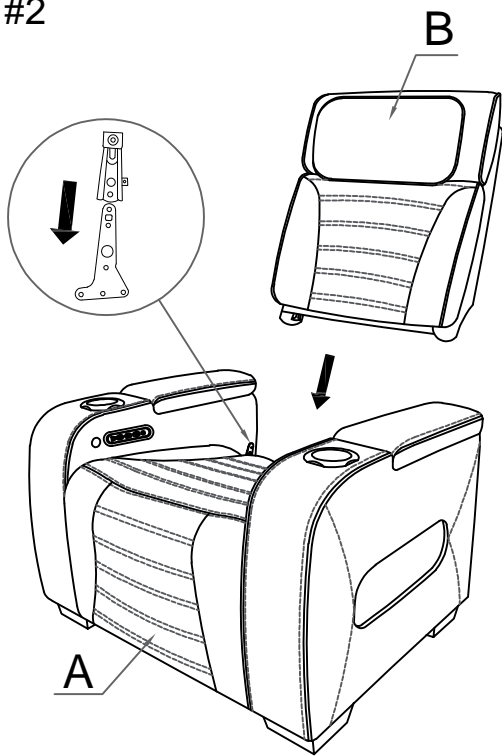
COMPONENT LIST

No	Drawing	Description	Qty
A		SEAT	1 PC
B		BACK REST	1 PC
C		ADAPTOR	1 PC

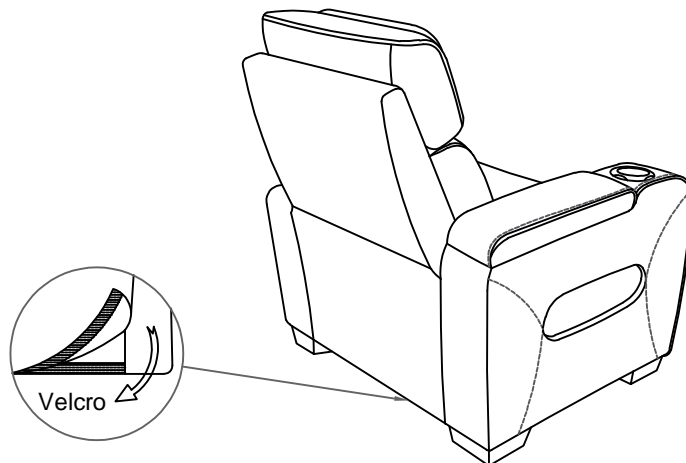
Step #1



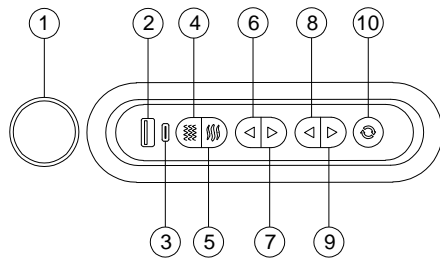
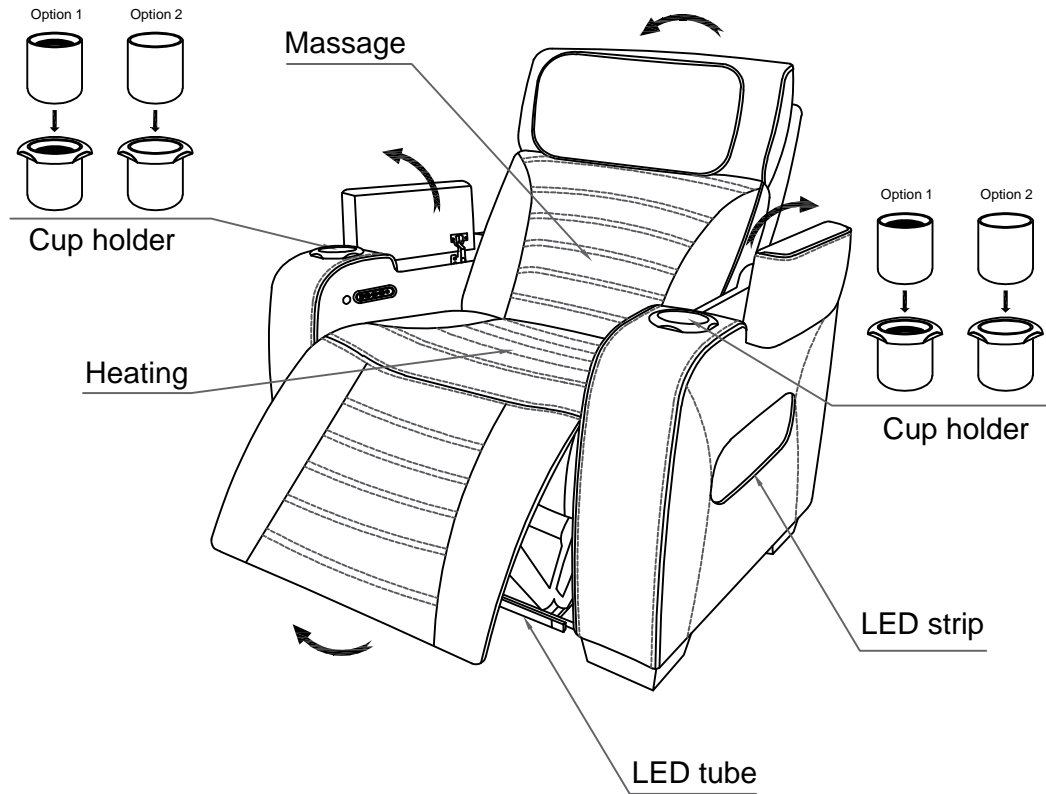
Step #2



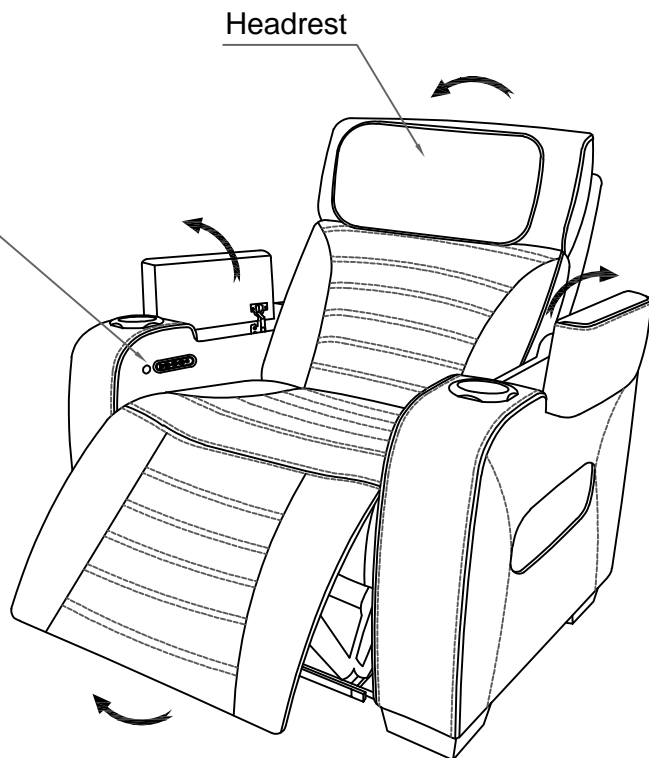
Step #3



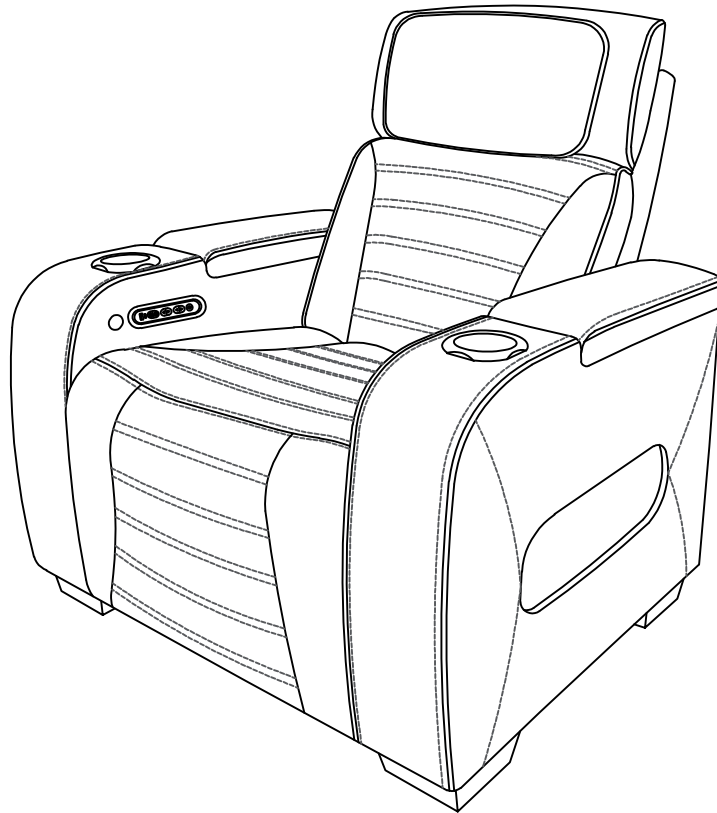
Step #4



- ① LED light button:
Grade 1: 50%
Grade 2: 75%
Grade 3: 100%
OFF
- ② USB PORT
- ③ USB Type C
- ④ Massage
Grade 1: Slow then stop and repeat
Grade 2: Fast then stop and repeat
Grade 3: Fast & no stop and repeat
Grade 0: TURN OFF
- ⑤ 1 Heating
- ⑥ Open recliner
- ⑦ Close recliner
- ⑧ Open headrest
- ⑨ Close headrest
- ⑩ Home Button



COMPLETED



Care Instructions for Leather Match PVC Furniture:

In order to maintain the original appearance of your Leather Match PVC, please follow below simple care procedures:

- Avoid exposing furniture directly to sunlight or heating and air conditioning outlets. Sunlight and/or exposure to heating and air conditioning outlets will fade/damage Leather Match PVC.
- Vacuum or wipe with a soft cloth to remove dust.
- Hardware may loosen over time. Periodically check to make sure all connections are tight, Re-tighten if necessary.



For items use on wooden floor, hard surfaces or carpets, it is recommended to install protective pads under all legs and supports to avoid/prevent from damages/scratches and discoloration.