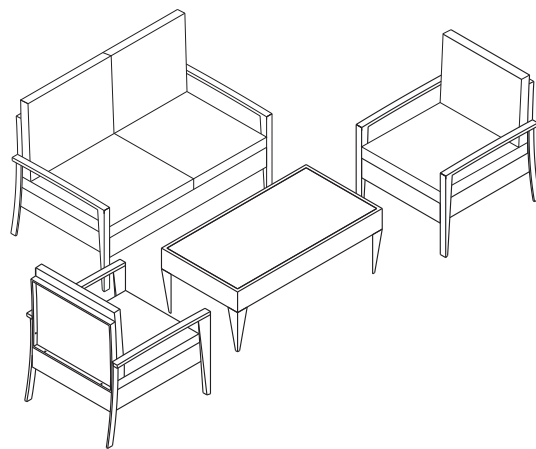
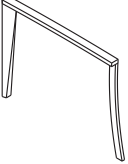
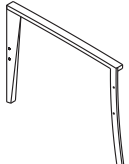
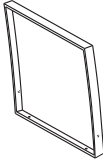
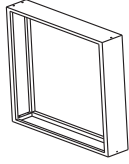




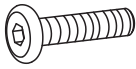


4 Piece Outdoor Wicker Set



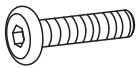

PART LIST

<p>A</p> 	<p>B</p> 	<p>C</p> 	<p>D</p> 	<p>E</p> 
<p>Right Arm Panel 1 PC</p>	<p>Left Arm Panel 1 PC</p>	<p>Back Panel 1 PC</p>	<p>Seat Panel 1 PC</p>	<p>Seat Cushion 1 PC</p>
<p>F</p> 				
<p>Back Cushion 1 PC</p>				

HARDWARE LIST

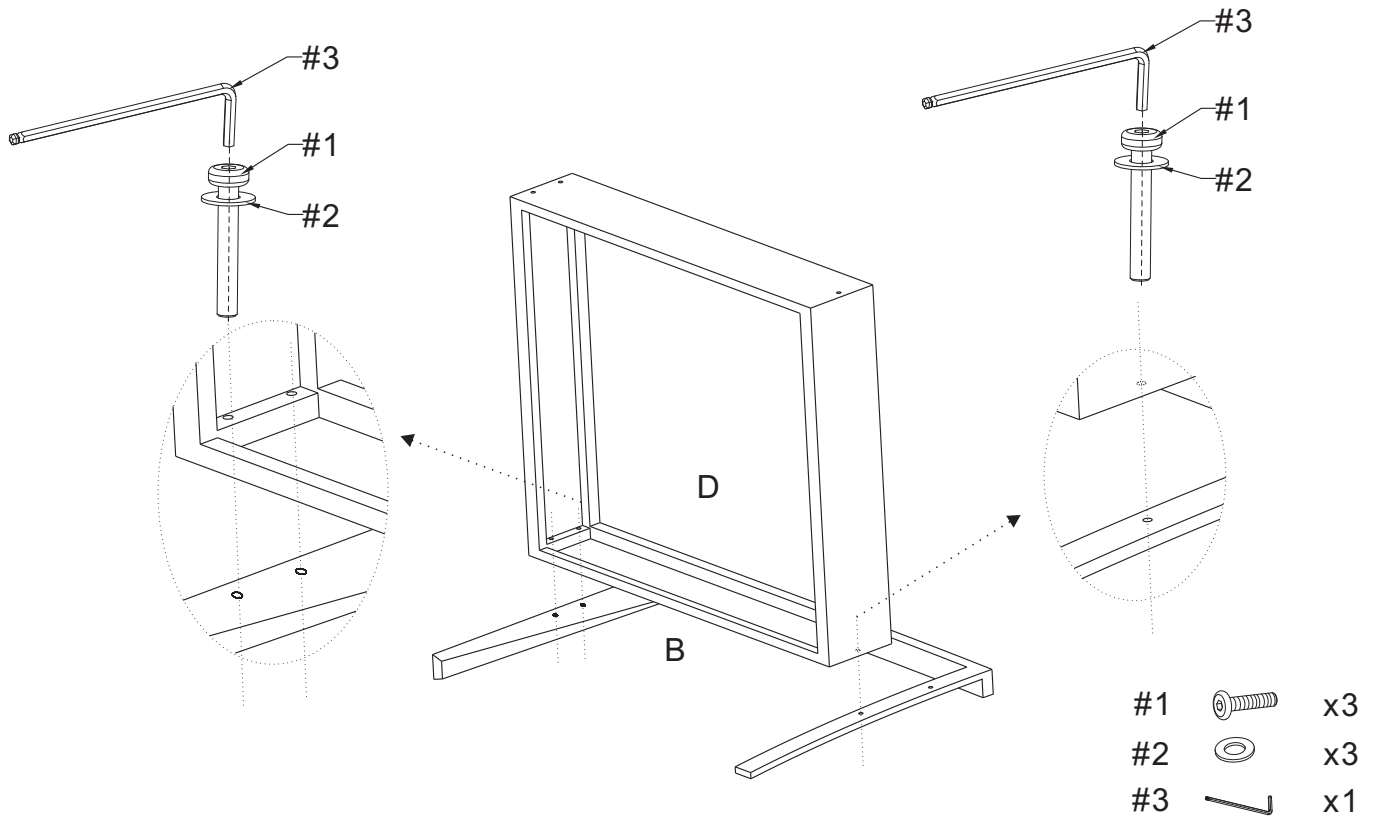
<p>#1</p>  <p>M6*30mm</p>	<p>#2</p>  <p>M6mm</p>	<p>#3</p>  <p>M6mm</p>
<p>Bolt 10 PCS</p>	<p>Washer 10 PCS</p>	<p>Allen Key 1 PC</p>

EXTRA HARDWARE LIST

<p>#1</p>  <p>M6*30mm</p>	<p>#2</p>  <p>M6mm</p>
<p>Bolt 1 PC</p>	<p>Washer 1 PC</p>

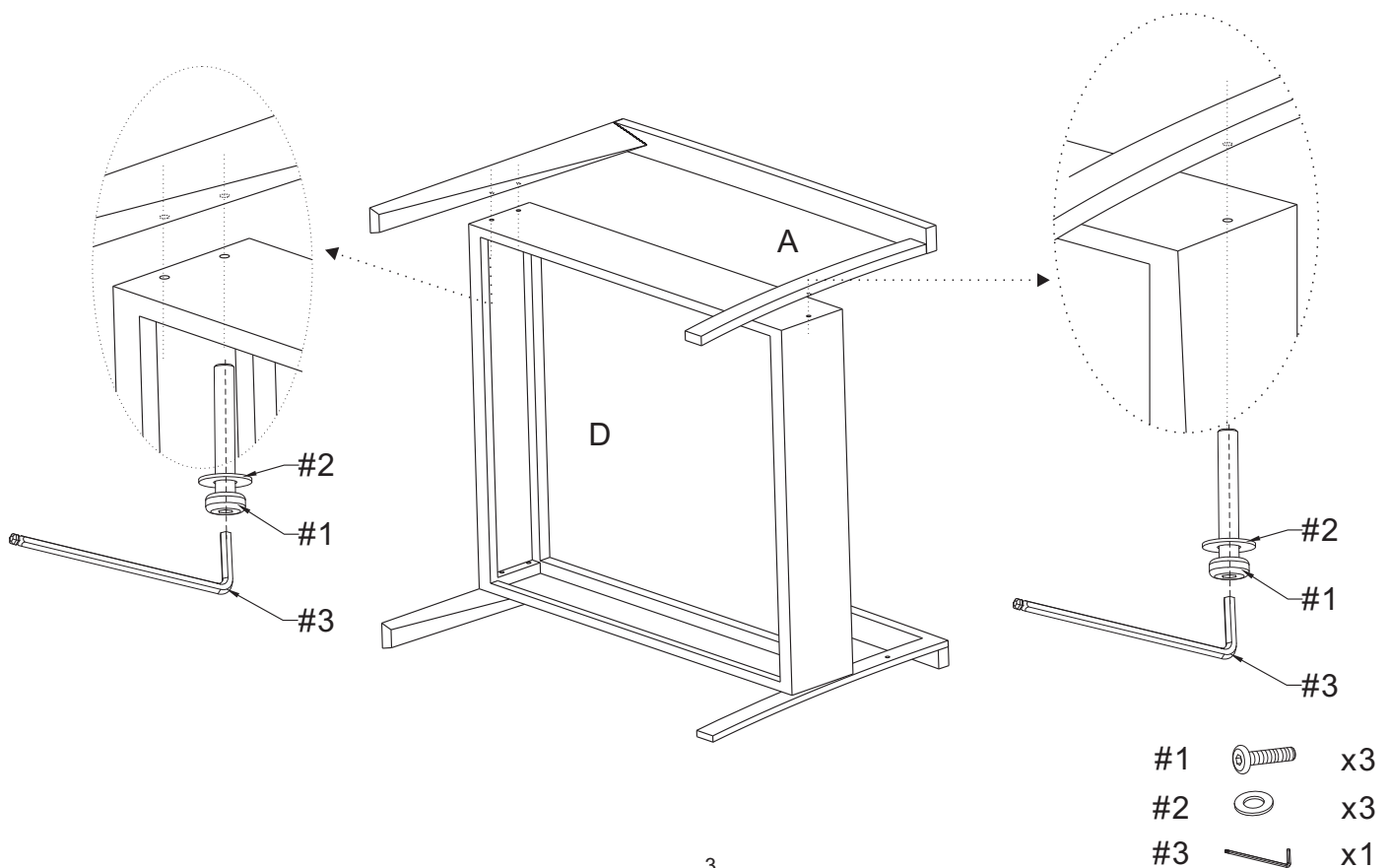
Step 1. Lay left arm panel (part B) down on a soft flat surface, such as carpet as shown below. Attach seat panel (part D) to left arm panel (part B) using bolts (part #1), washers (part #2) and allen key (part #3).

NOTE: Please do not fully tighten bolts until unit is fully assembled.



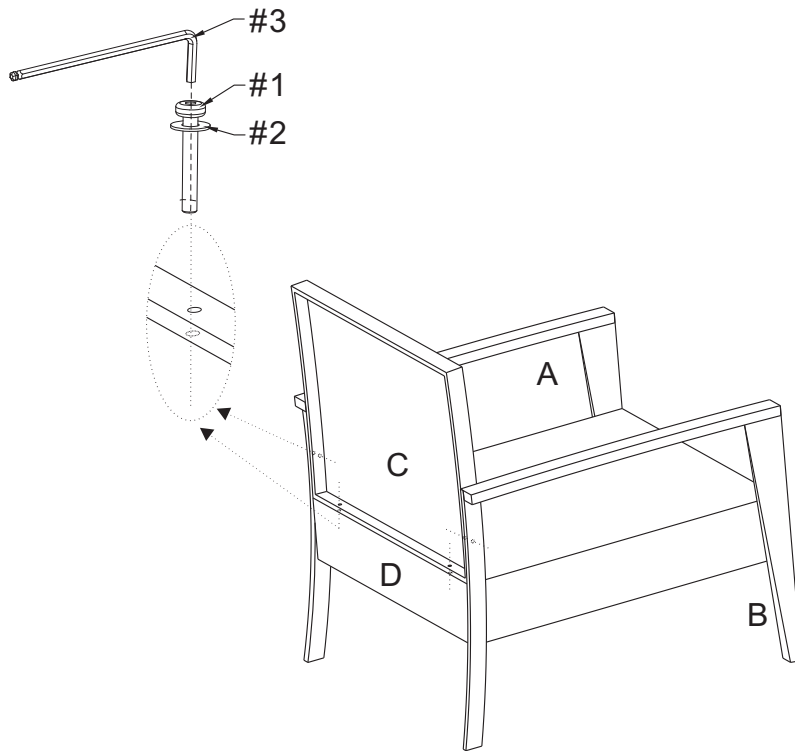
Step 2. Attach right arm panel (part A) to seat panel (part D) using bolts (part #1), washers (part #2) and allen key (part #3).

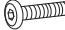


NOTE: Please do not fully tighten bolts until unit is fully assembled.



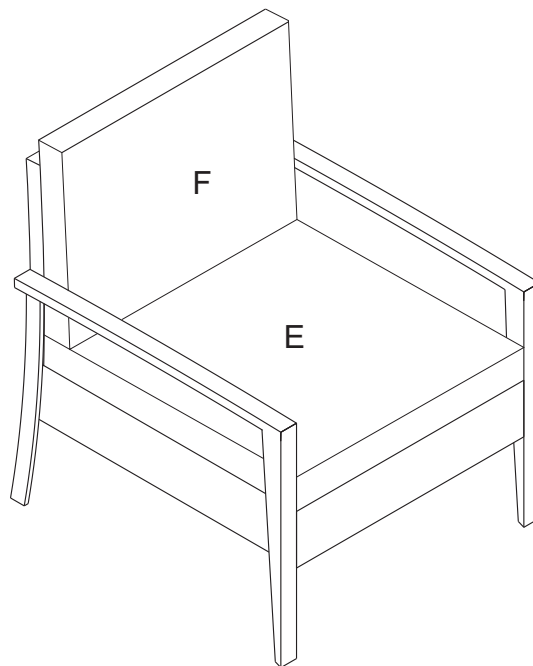
Step 3. Carefully turn the assembled unit upright. Attach back panel (part C) to assembled unit (parts A, B & D) using bolts (part #1), washers (part #2) and allen key (part #3).

NOTE: Please fully tighten all bolts at this time.

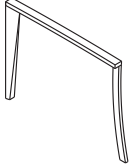
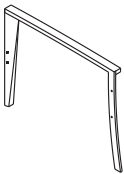
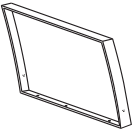
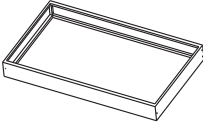




- | | | |
|----|---|----|
| #1 |  | x4 |
| #2 |  | x4 |
| #3 |  | x1 |

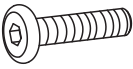


Step 4. Add seat cushion (part E) and back cushion (part F).



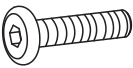

PART LIST

G 	H 	I 	J 	K 
Right Arm Panel 1 PC	Left Arm Panel 1 PC	Back Panel 1 PC	Seat Panel 1 PC	Seat Cushion 2 PCS
L 				
Back Cushion 2 PCS				

HARDWARE LIST

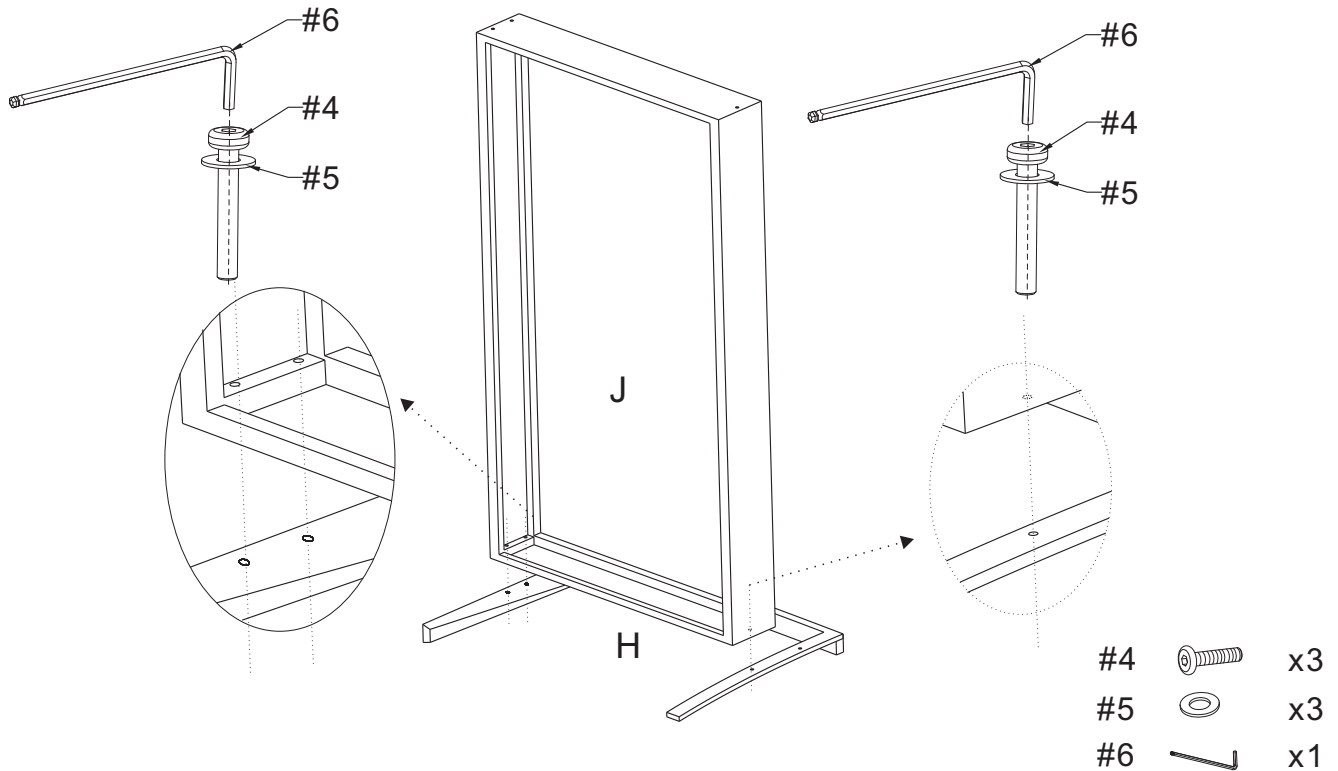
#4 	#5 	#6 
M6*30mm Bolt 11 PCS	M6mm Washer 11 PCS	M6mm Allen Key 1 PC

EXTRA HARDWARE LIST

#4 	#5 
M6*30mm Bolt 1 PC	M6mm Washer 1 PC

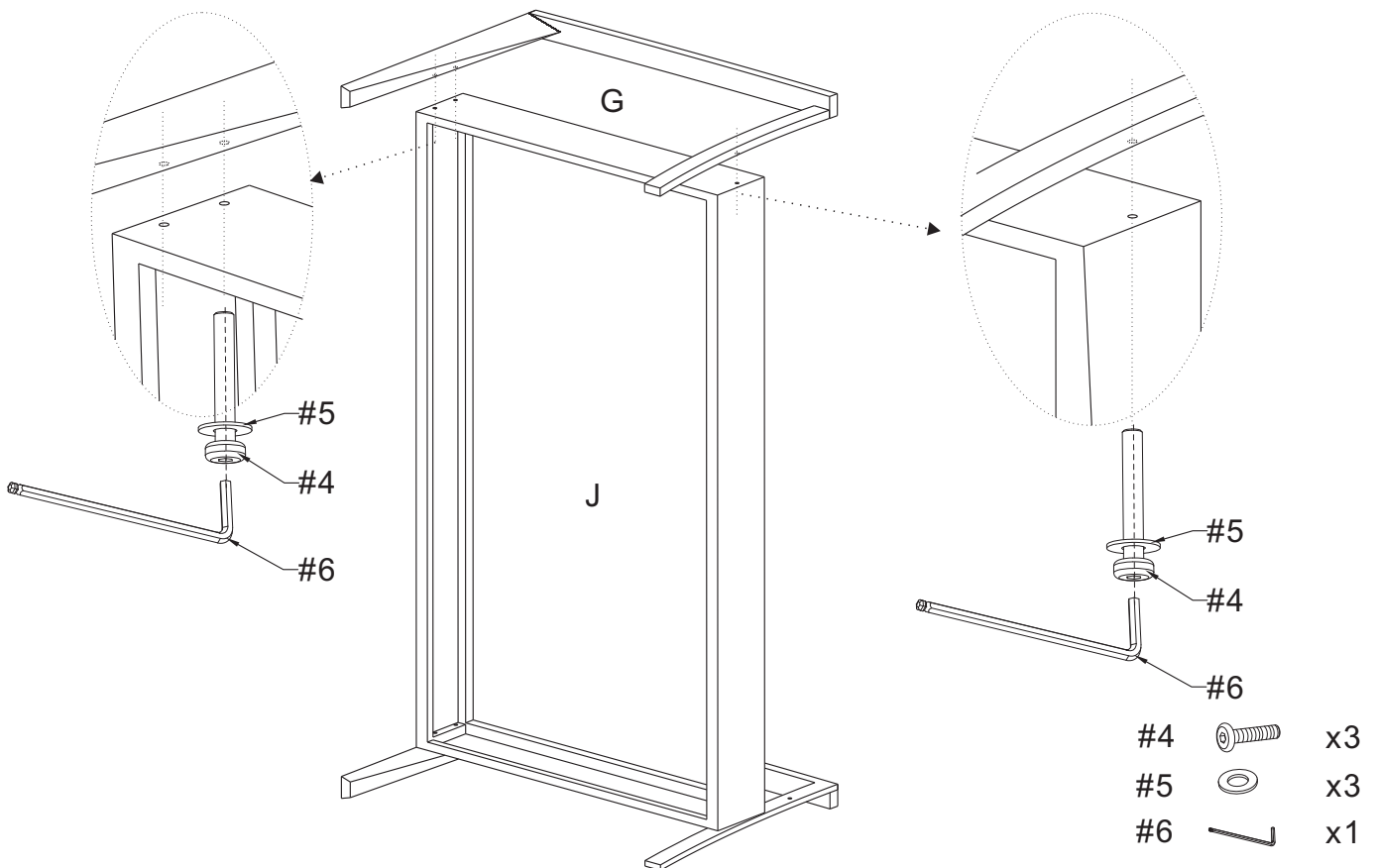
Step 1. Lay left arm panel (part H) down on a soft flat surface, such as carpet as shown below. Attach seat panel (part J) to left arm panel (part H) using bolts (part #4), washers (part #5) and allen key (part #6).

NOTE: Please do not fully tighten bolts until unit is fully assembled.



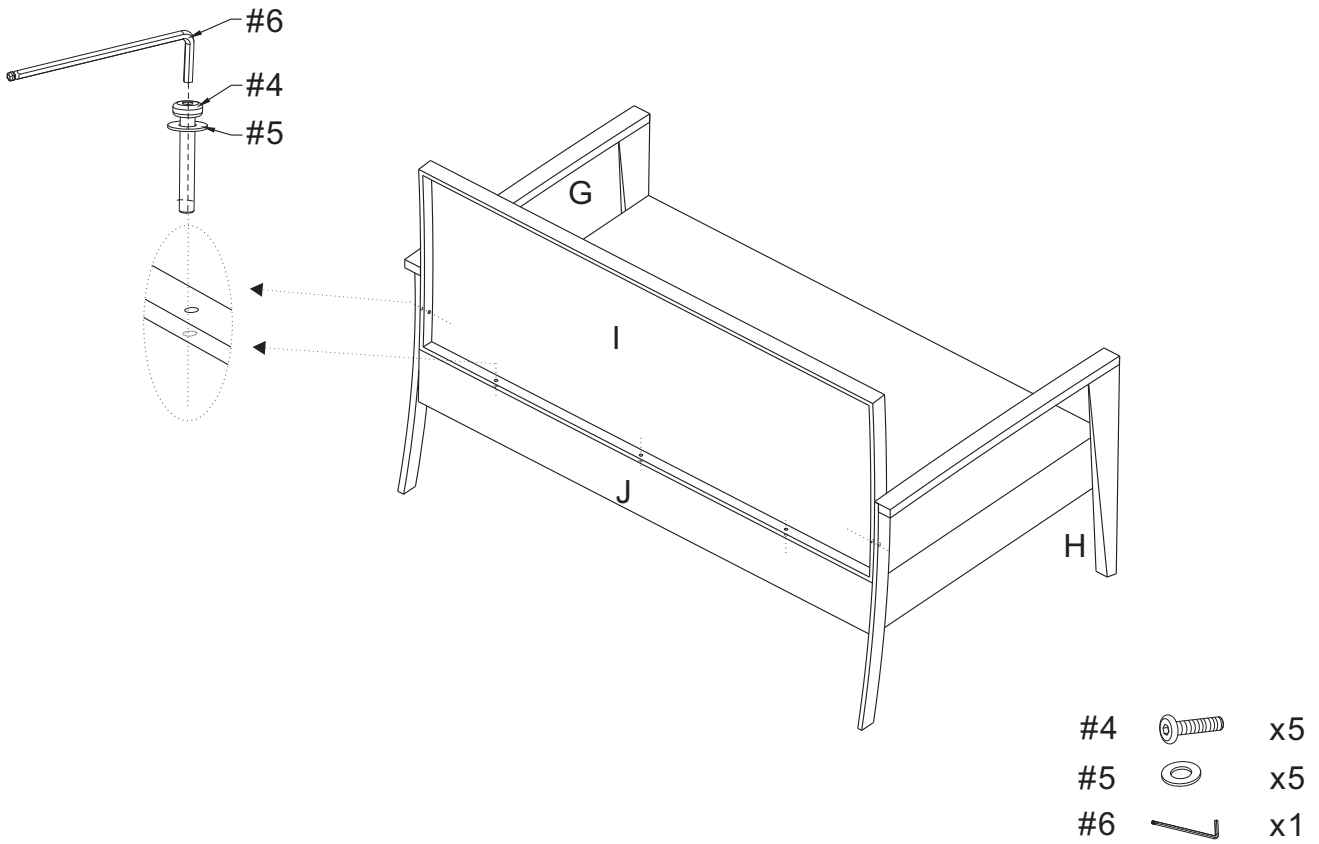
Step 2. Attach right arm panel (part G) to seat panel (part J) using bolts (part #4), washers (part #5) and allen key (part #6).

NOTE: Please do not fully tighten bolts until unit is fully assembled.

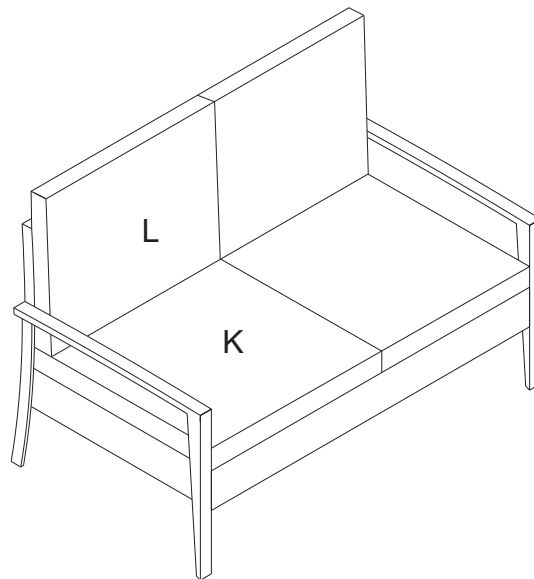


Step 3. Carefully turn the assembled unit upright. Attach back panel (part I) to assembled unit (parts G, H & J) using bolts (part #4), washers (part #5) and allen key (part #6).

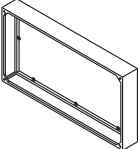
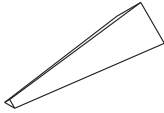
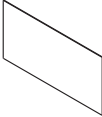
NOTE: Please fully tighten all bolts at this time.



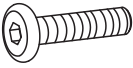


Step 4. Add seat cushion (part K) and back cushion (part L).



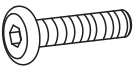

PART LIST

<p>M</p> 	<p>N</p> 	<p>O</p> 
<p>Top Frame 1 PC</p>	<p>Leg 4 PCS</p>	<p>Glass Top 1 PC</p>

HARDWARE LIST

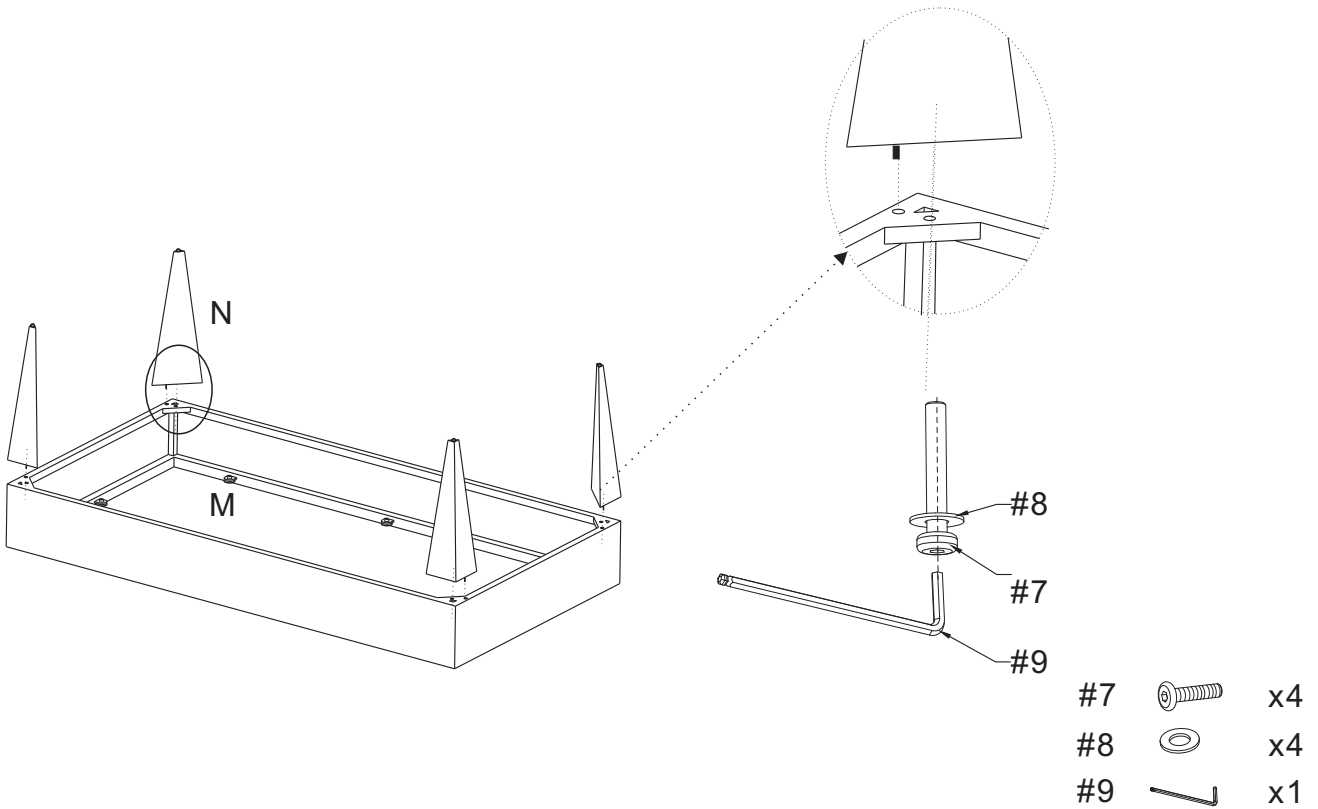
<p>#7</p> 	<p>#8</p> 	<p>#9</p> 
<p>M6*20mm</p>	<p>M6mm</p>	<p>M6mm</p>
<p>Bolt 4 PCS</p>	<p>Washer 4 PCS</p>	<p>Allen Key 1 PC</p>

EXTRA HARDWARE LIST

<p>#7</p> 	<p>#8</p> 
<p>M6*20mm</p>	<p>M6mm</p>
<p>Bolt 1 PC</p>	<p>Washer 1 PC</p>

Step 1. Lay top frame (part M) upside down on a soft flat surface, such as carpet, as shown below. Attach legs (part N) to top frame (part M) using bolts (part #7), washers (part #8) and allen key (part #9).

NOTE: Please fully tighten all bolts at this time.



Step 2. Carefully turn the table upright and gently place the glass (part O) in the top frame.

