

Installation & Assembly



05 : 00

estimated
assembly time



1 or more

people required

Ok, let's
get started!



- Put on mood music!
- To prevent damage to product, use the clean side of package carton or rug as working surface.
- In the event of missing or damaged parts, delivery problems etc., please reach out to our team. We will be happy to fix the problem!

care guide

- Clean regularly with a soft and dry cloth.
- To protect finish, avoid use of abrasive cleaners.
- Wipe up spills immediately. Please!



product parts



(A)
Table Top
x1



(B)
Table Base
x1

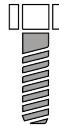


(C)
Table Leg (Pedestal)
x1

what's included



(D)- Bolt
(6 x 16mm)
x4



(E)- Bolt
(6 x 30mm)
x3



(F)- Plain Washer
x7



(G)- Lock Washer
X7



(H)- Allen Key
x1

assembly instructions

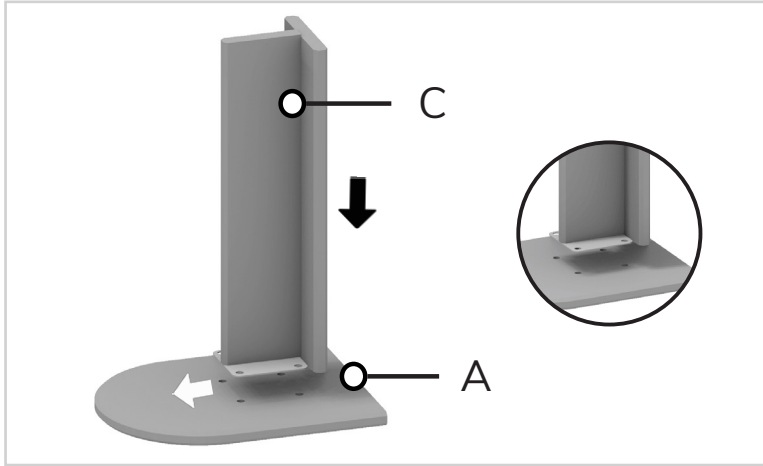
Friendly Tip: Take a deep breath going in. This may be a tricky part, but nothing too overwhelming. Just follow these steps to the T and the outcome will be worth it!



- ⓘ While assembling the product, tighten the bolts up to 50%. Once all parts are in place, only then fully tighten the bolts.

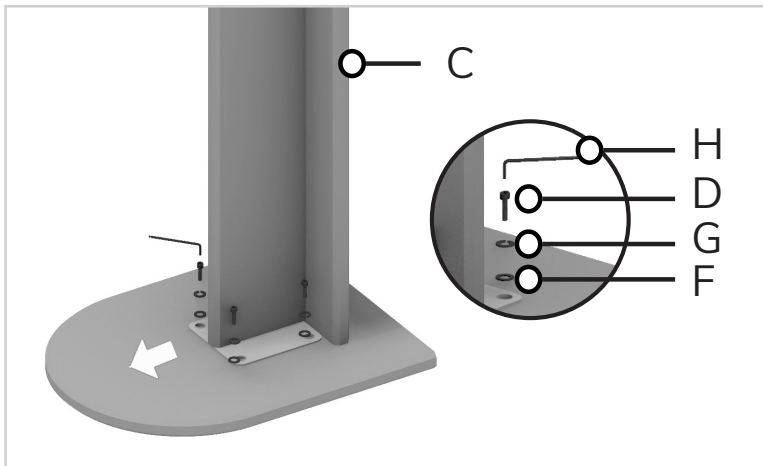
step 1:

Start by placing the table top (A) upside down on a flat surface. Then place the table leg (C) upside down and align the slots on the legs with the holes on the table top. See this image for reference.



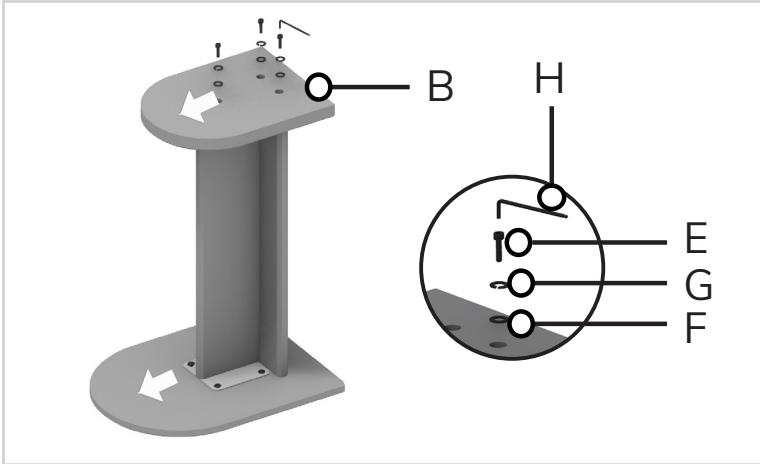
step 2:

Insert washer (F), lock washer (G), and bolt (D) on all four holes and fix them in place with the help of allen key (H).



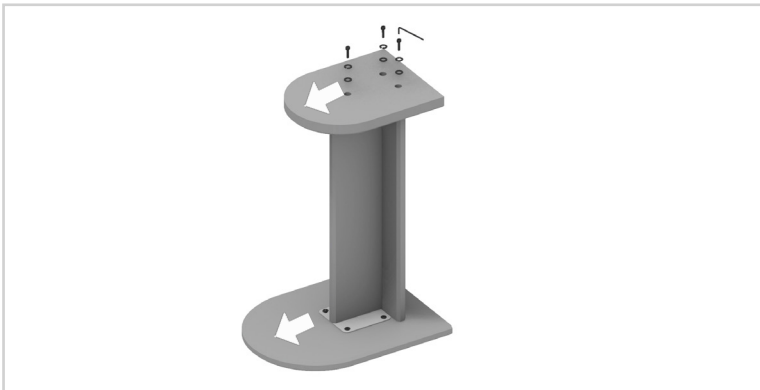
step 3:

Now, place the table base (B) upside down on the top of the pedestal leg (C). Insert washer (F), lock washer (G), and bolts (E) and tighten them up to 50% using allen key (H). During the assembly, make sure the stickers placed on the table top and base are in the same direction.



step 4:

Make sure the top and base are parallel to each other. Adjust if needed. When done, tighten all the bolts fully up to 100% and flip the table upside down.





Voila! Your end table is now assembled and secure!