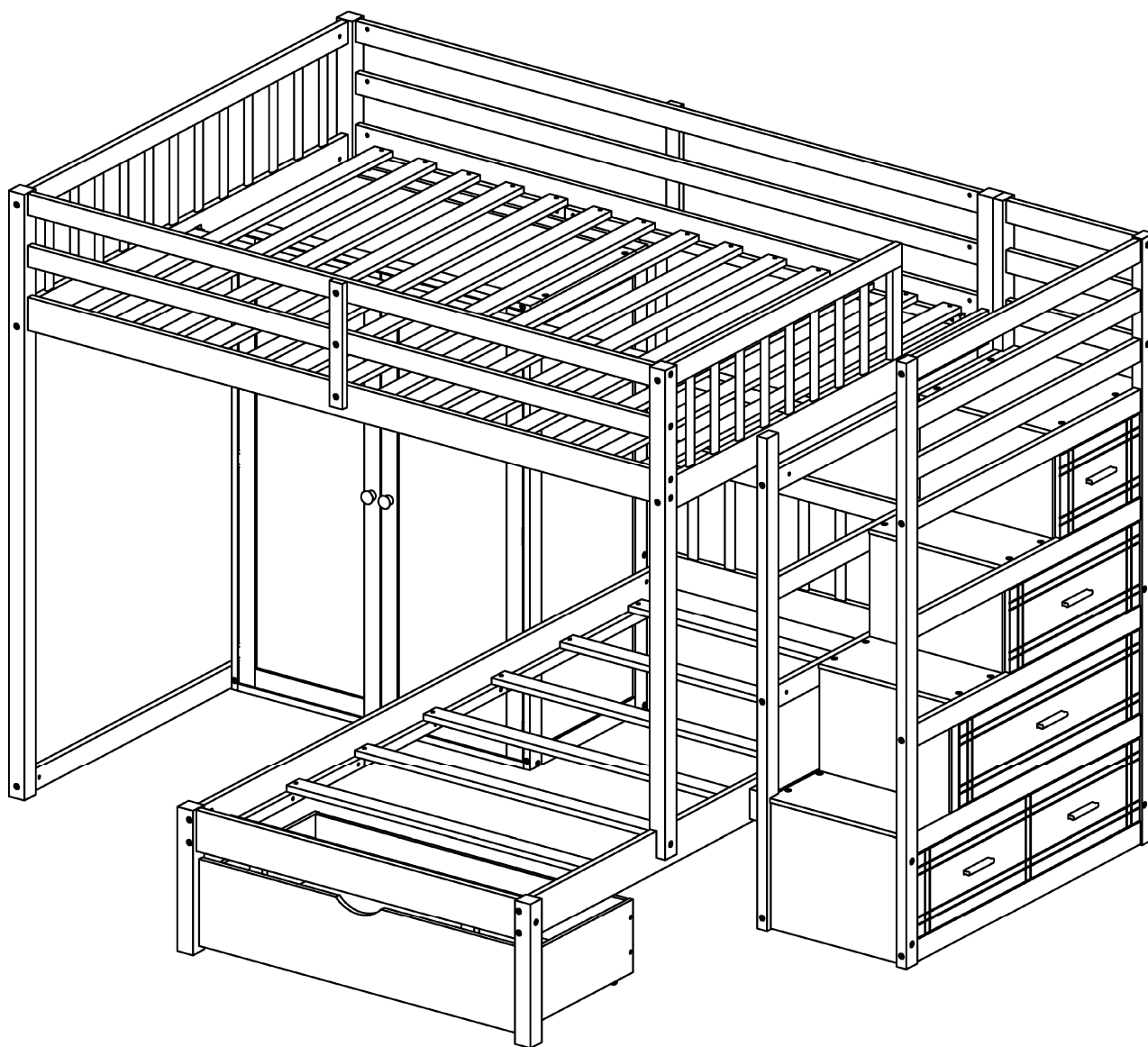


Installation & Assembly



! SAFETY WARNINGS !

1. This bed is designed for use only mattress (es) meeting the following specifications on the upper bunk and lower bunk

Upper bed

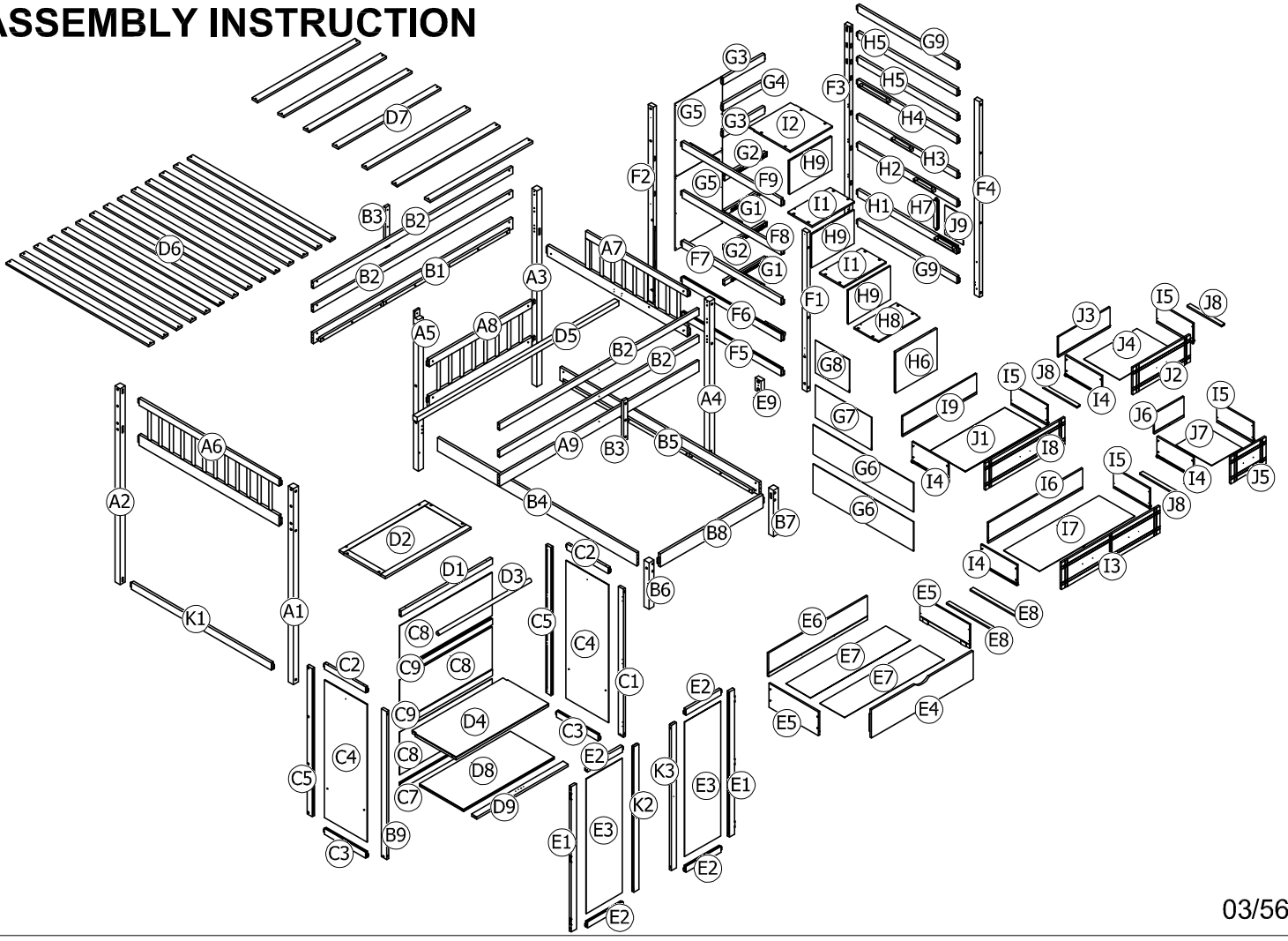
Bed Type	Length	Width	Thickness
<i>Full Standard</i>	<i>74" - 75"</i>	<i>53 1/2"</i>	<i>6" max</i>

Lower bed

Bed Type	Length	Width	Thickness
<i>Twin Standard</i>	<i>74" - 75"</i>	<i>38 1/2"</i>	<i>8" max</i>

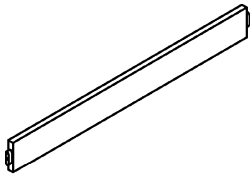
2. Replacement parts, including additional guardrails, maybe obtained from any of our dealers.
3. Follow the information on the warnings appearing on the upper bunk bed end structure and on the carton. Do not remove warning label from bed
4. Always use the recommended size mattresses or mattress supports, or both, to help prevent the likelihood of entrapment or falls.
5. Surface of mattress must be at least 5" (127mm) below the upper edge of guardrails
6. Do not allow children under 6 years of age to use the upper bunk.
7. Periodically check and ensure that the guardrail, ladder, and other components are in their proper position, free from damage, and that all connectors are tight.
8. Do not allow horseplay on or under the bed and prohibit jumping on the bed.
9. Always use the ladder for entering and leaving the upper bunk.
10. Do not use substitute part. Contact the manufacture or dealer for replacement part
11. Use of a night light may provide added safety precaution for a child using the upper bunk..
12. Always use guardrails on both long sides of the upper bunk. If the bunk bed will be placed next to the wall, the guardrail that runs the full length of the bed should be placed against the wall to prevent entrapment between the bed and wall.
13. The use of water or sleep flotation mattresses is prohibited
14. **STRANGULATION HAZARD** - Never attach or hang items to any part of the bunk bed that are not designed for use with the bed; for example, but not limited to, hook, belts and jump ropes
15. Keep these instruction for future reference
16. Prohibit more than one person on upper bunk
17. We recommend assembling your bunk bed on the shipping carton to protect your floor or carpet
18. Be certain all staples are out of the box before beginning assembly on the shipping carton.

ASSEMBLY INSTRUCTION



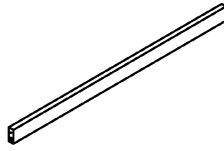
Part List (Box1-)

B8



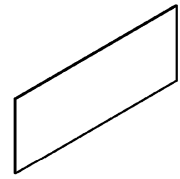
WoodBar-1pc

C7



WoodBar-1pc

C8



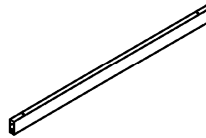
Panel-3pcs

C9



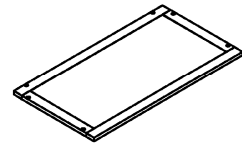
WoodBar-2pcs

D1



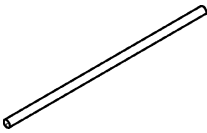
WoodBar-1pc

D2



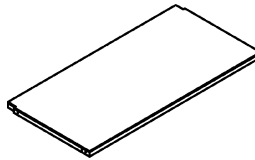
WoodBar-1pc

D3



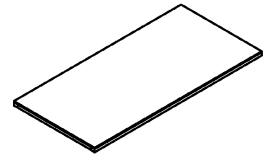
WoodBar-1pc

D4



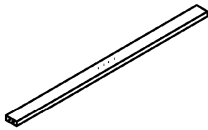
Panel-1pc

D8



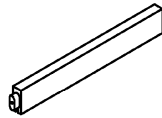
Panel-1pc

D9



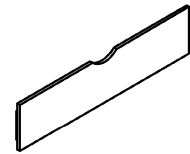
WoodBar-1pc

E2



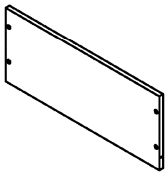
WoodBar-4pcs

E4



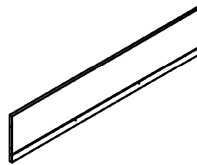
Front Drawers-1pc

E5



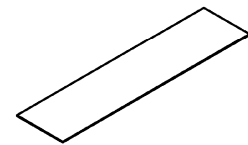
Side Drawers-2pcs

E6



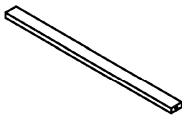
Back Drawers-1pc

E7



Bottom Drawers-2pcs

E8



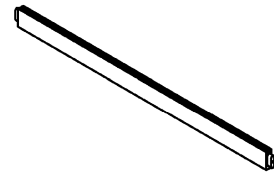
Support Drawers-2pcs

E9



WoodBar-1pc

F5



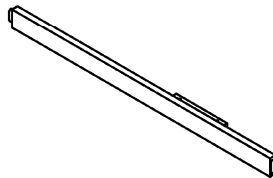
WoodBar-1pc

F6



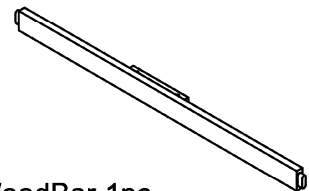
WoodBar-1pc

F7



WoodBar-1pc

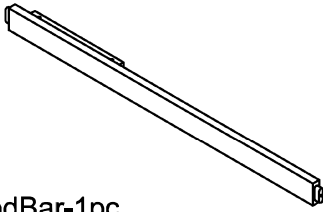
F8



WoodBar-1pc

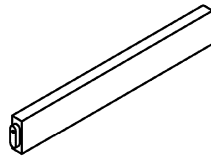
Part List (Box1)

F9



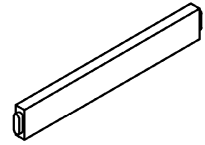
WoodBar-1pc

G3



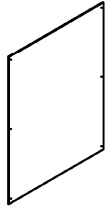
WoodBar-2pcs

G4



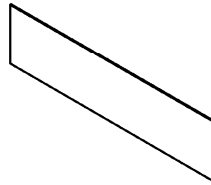
WoodBar-1pc

G5



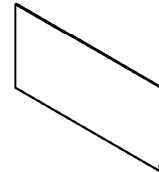
Panel-2pcs

G6



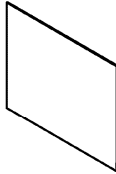
Panel-2pcs

G7



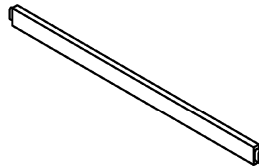
Panel-1pc

G8



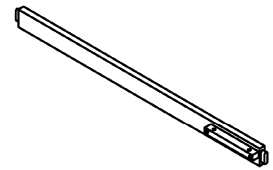
Panel-1pc

G9



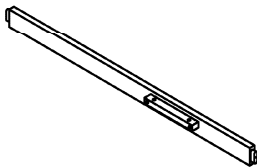
WoodBar-2pcs

H1



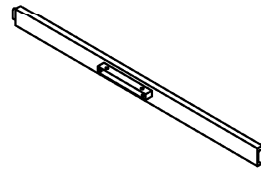
WoodBar-1pc

H2



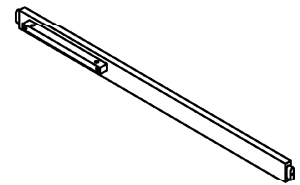
WoodBar-1pc

H3



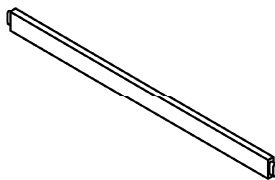
WoodBar-1pc

H4



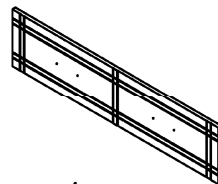
WoodBar-1pc

H5



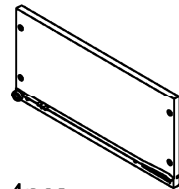
WoodBar-2pcs

I3



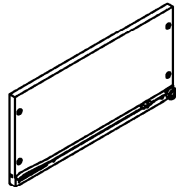
Front Drawers-1pc

I4



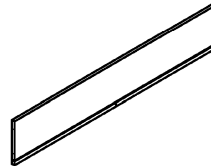
Side Drawers-4pcs

I5



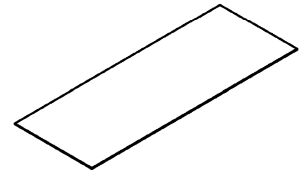
Side Drawers-4pcs

I6



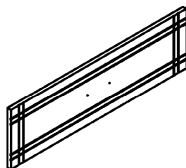
Back Drawers-1pc

I7



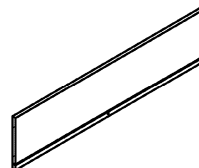
Bottom Drawers-1pc

I8



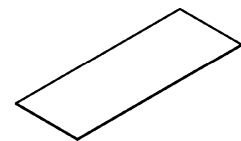
Front Drawers-1pc

I9



Back Drawers-1pc

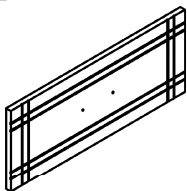
J1



Bottom Drawers-1pc

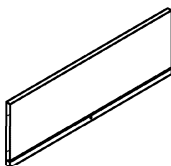
Part List (Box1)

J2



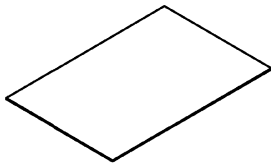
Front Drawers-1pc

J3



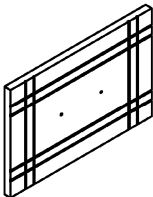
Back Drawers-1pc

J4



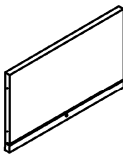
Bottom Drawers-1pc

J5



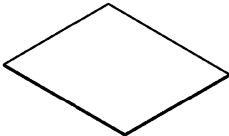
Front Drawers-1pc

J6



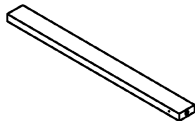
Back Drawers-1pc

J7



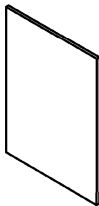
Bottom Drawers-1pc

J8








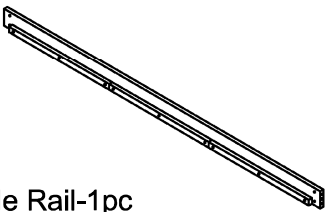
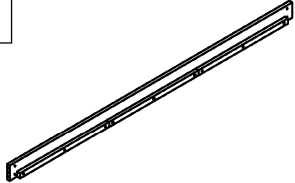
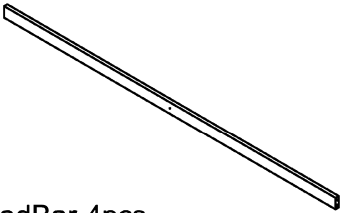
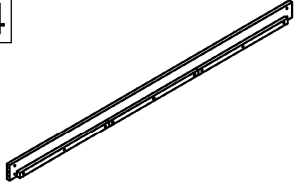
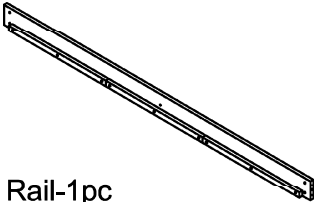


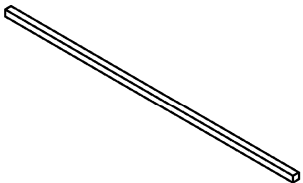
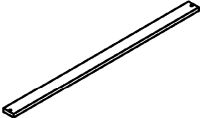




Support Drawers-3pcs

J9



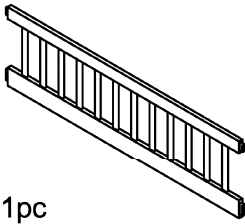
Panel-1pc

Part List & Hardware List (Box2)

<p>A1</p>  <p>Leg-1pc</p>	<p>A2</p>  <p>Leg-1pc</p>	<p>A3</p>  <p>Leg-1pc</p>
<p>A4</p>  <p>Leg-1pc</p>	<p>A5</p>  <p>Leg-1pc</p>	<p>A9</p>  <p>Side Rail-1pc</p>
<p>B1</p>  <p>Side Rail-1pc</p>	<p>B2</p>  <p>WoodBar-4pcs</p>	<p>B4</p>  <p>Side Rail-1pc</p>
<p>B5</p>  <p>Side Rail-1pc</p>	<p>B6</p>  <p>Leg-1pc</p>	<p>B7</p>  <p>Leg-1pc</p>
<p>D5</p>  <p>WoodBar-1pc</p>	<p>D7</p>  <p>Slats-7pcs</p>	<p>F1</p>  <p>Leg-1pc</p>
<p>F2</p>  <p>Leg-1pc</p>	<p>F3</p>  <p>Leg-1pc</p>	<p>F4</p>  <p>Leg-1pc</p>

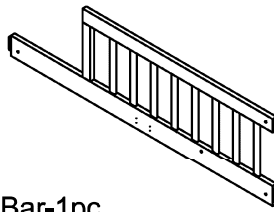
Part List (Box3)

A6



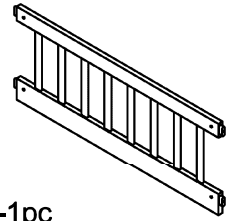
WoodBar-1pc

A7



WoodBar-1pc

A8



WoodBar-1pc

B3



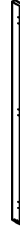
WoodBar-2pcs

B9



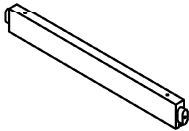
WoodBar-1pc

C1



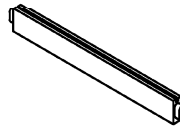
WoodBar-1pc

C2



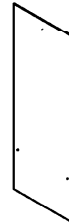
WoodBar-2pcs

C3



WoodBar-2pcs

C4



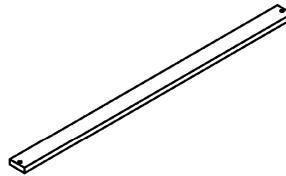
Panel-2pcs

C5



WoodBar-2pcs

D6



Slats-14pcs

K3



WoodBar-1pc

E1



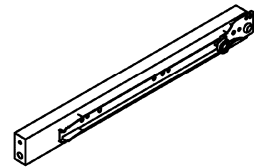
WoodBar-2pcs

E3



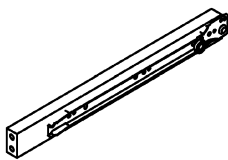
Panel-2pcs

G1



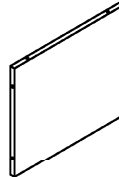
WoodBar-2pcs

G2



WoodBar-2pcs

H6



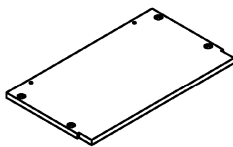
Panel-1pc

H7



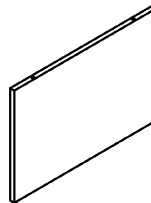
WoodBar-1pc

H8



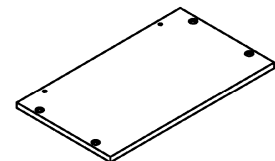
Panel-1pc

H9



Panel-3pcs

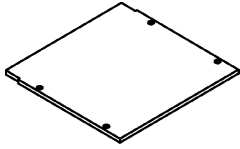
I1



Panel-2pcs

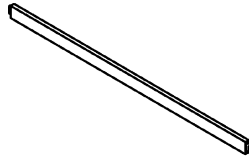
Part List (Box3)

I2



Panel-1pc

K1



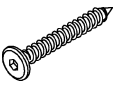
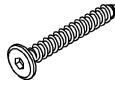
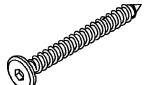
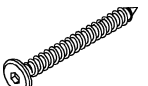
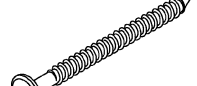
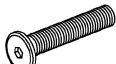




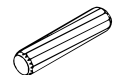
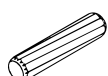
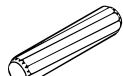



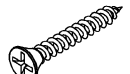
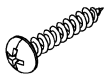
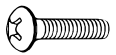

WoodBar-1pc

K2



WoodBar-1pc

Hardware List (Box 2)

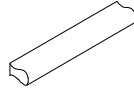
<p>1</p>  <p>Screws 1/4" x30 11pcs</p>	<p>2</p>  <p>Screws 1/4" x40 10pcs</p>	<p>3</p>  <p>Screws 1/4" x50 14pcs</p>
<p>4</p>  <p>Screws 1/4" x60 4pcs</p>	<p>5</p>  <p>Screws 1/4" x70 18pcs</p>	<p>6</p>  <p>Ø1/4" x 25 mm Hex-Head bolts 16pcs</p>
<p>7</p>  <p>Ø1/4" x 35 mm Hex-Head bolts 1pc</p>	<p>8</p>  <p>Ø1/4" x 50 mm Hex-Head bolts 4pcs</p>	<p>9</p>  <p>Ø1/4" x 100 mm Hex-Head bolts 53pcs</p>
<p>10</p>  <p>Ø1/4" x 13 mm Horizontal-Hole bolts 53pcs</p>	<p>11</p>  <p>Ø1/4" x 15 mm T-Nut 1pc</p>	<p>12</p>  <p>Ø6 x 30 mm Wood dowel 19pcs</p>
<p>13</p>  <p>Ø8 x 30 mm Wood dowel 22pcs</p>	<p>14</p>  <p>Ø10 x 40 mm Wood dowel 16pcs</p>	<p>15</p>  <p>M3.5 x 12 mm Wood Screws 10pcs</p>
<p>16</p>  <p>M3 x 15 mm Wood Screws 50pcs</p>	<p>17</p>  <p>M4 x 20 mm Wood Screws 8pcs</p>	<p>18</p>  <p>M4 x 30 mm Wood Screws 93pcs</p>
<p>19</p>  <p>M4 x 15 mm Wood Screws 34pcs</p>	<p>20</p>  <p>Bolt Ø1/6" x 15 mm 10pcs</p>	<p>21</p>  <p>Bolt Ø1/6" x 25 mm 2pcs</p>

22



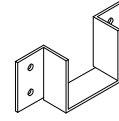
Handle Wood
2pcs

23



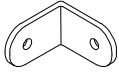
Handle Wood
5pcs

24



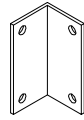
Steel Bracket
2pcs

25



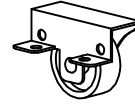
Steel Bracket
5pcs

26



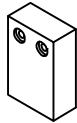
Steel Bracket
4pcs

27



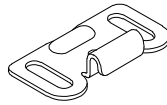
Wheel 4pcs

28



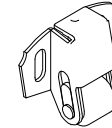
Stop wood
2pcs

29



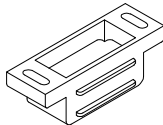
Door Wheel Catcher
2pcs

30



Door Wheel
2pcs

31

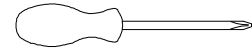


Magnet Door Catcher
2pcs

32





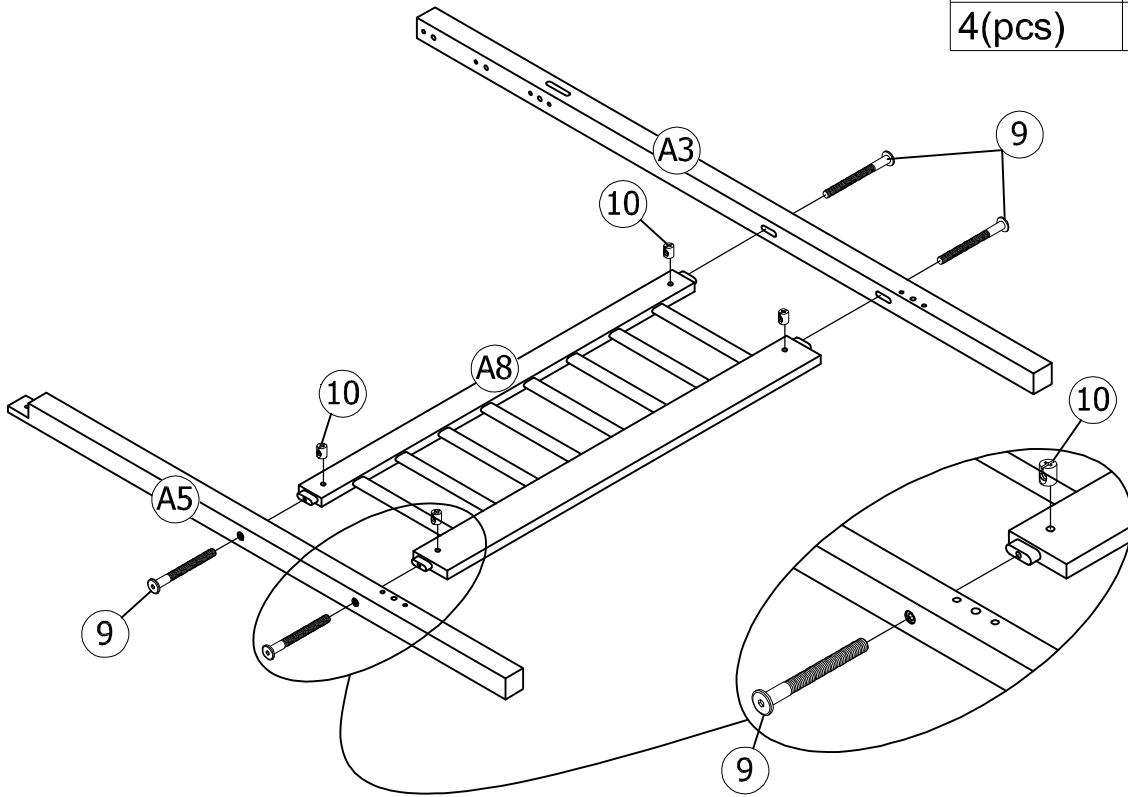
Allen Key 1pc





Assembly Tools Required (Not Included)

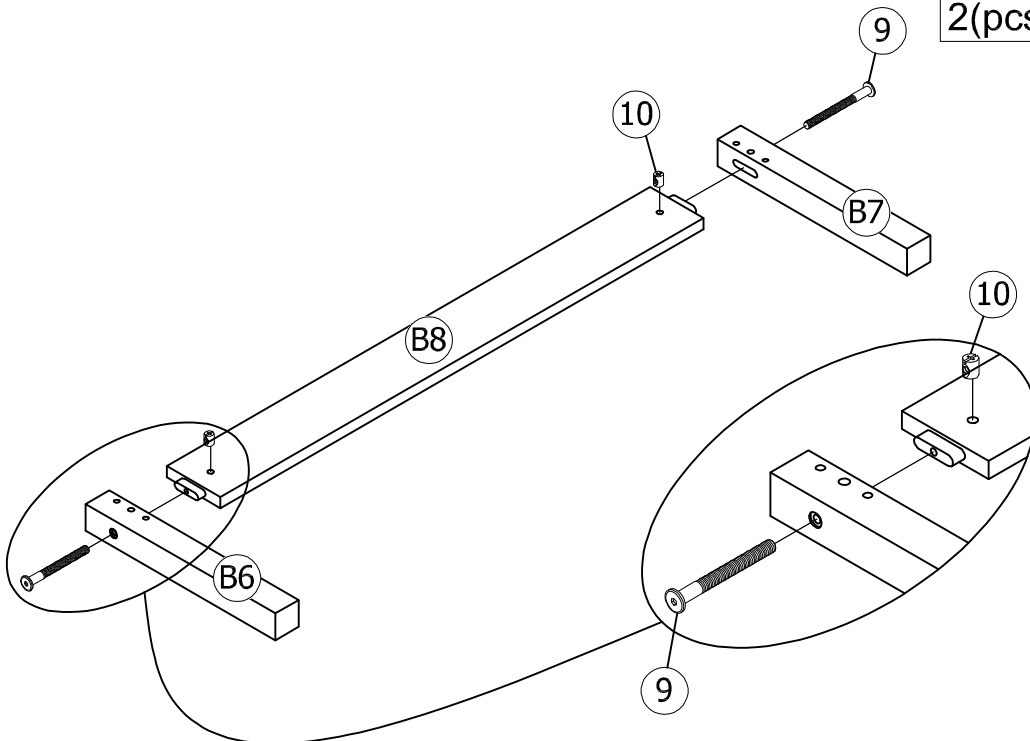
STEP1: Following below illustration.

10	9
	
4(pcs)	4(pcs)

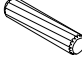




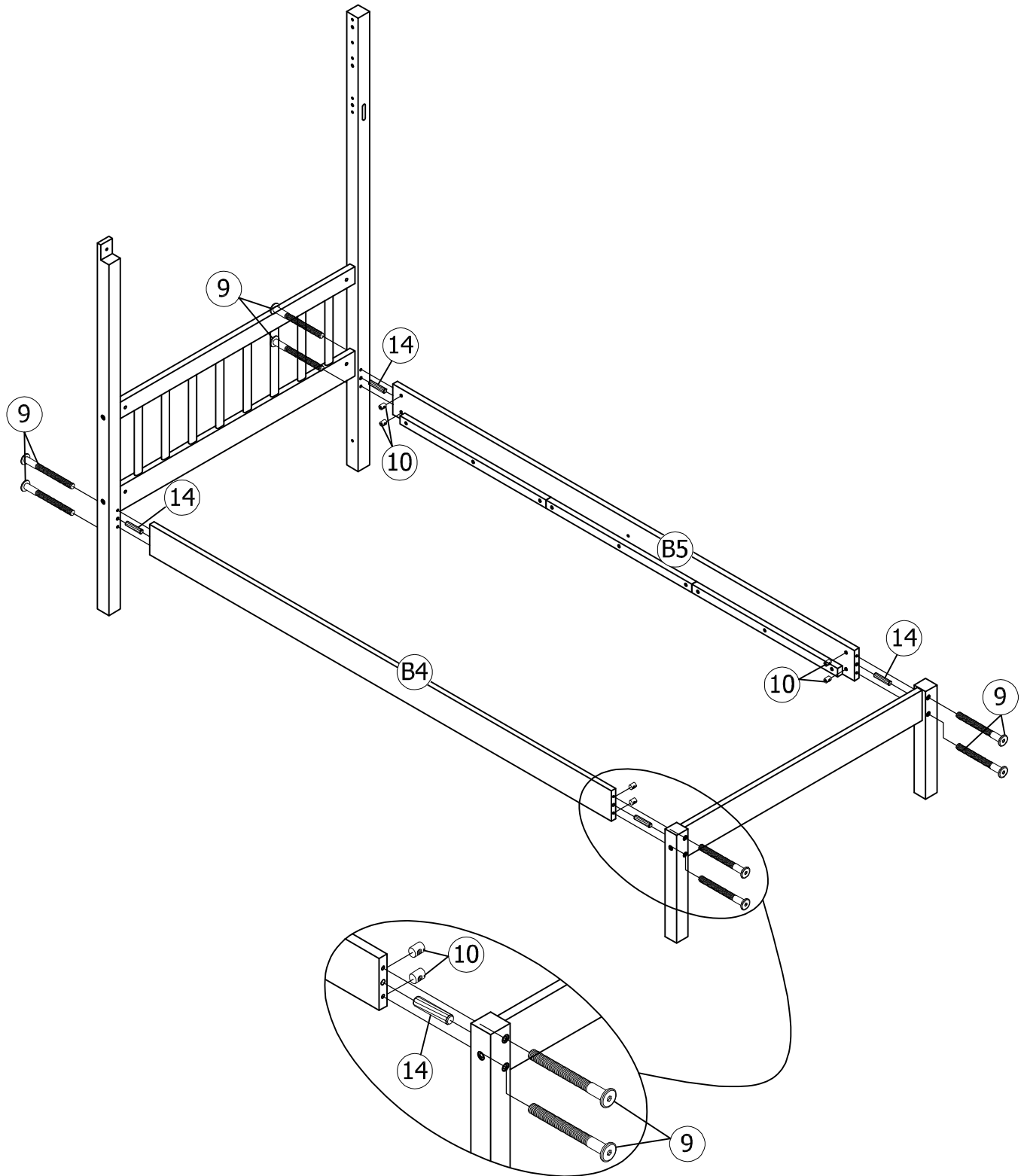
STEP2: Following below illustration.

10	9
	
2(pcs)	2(pcs)





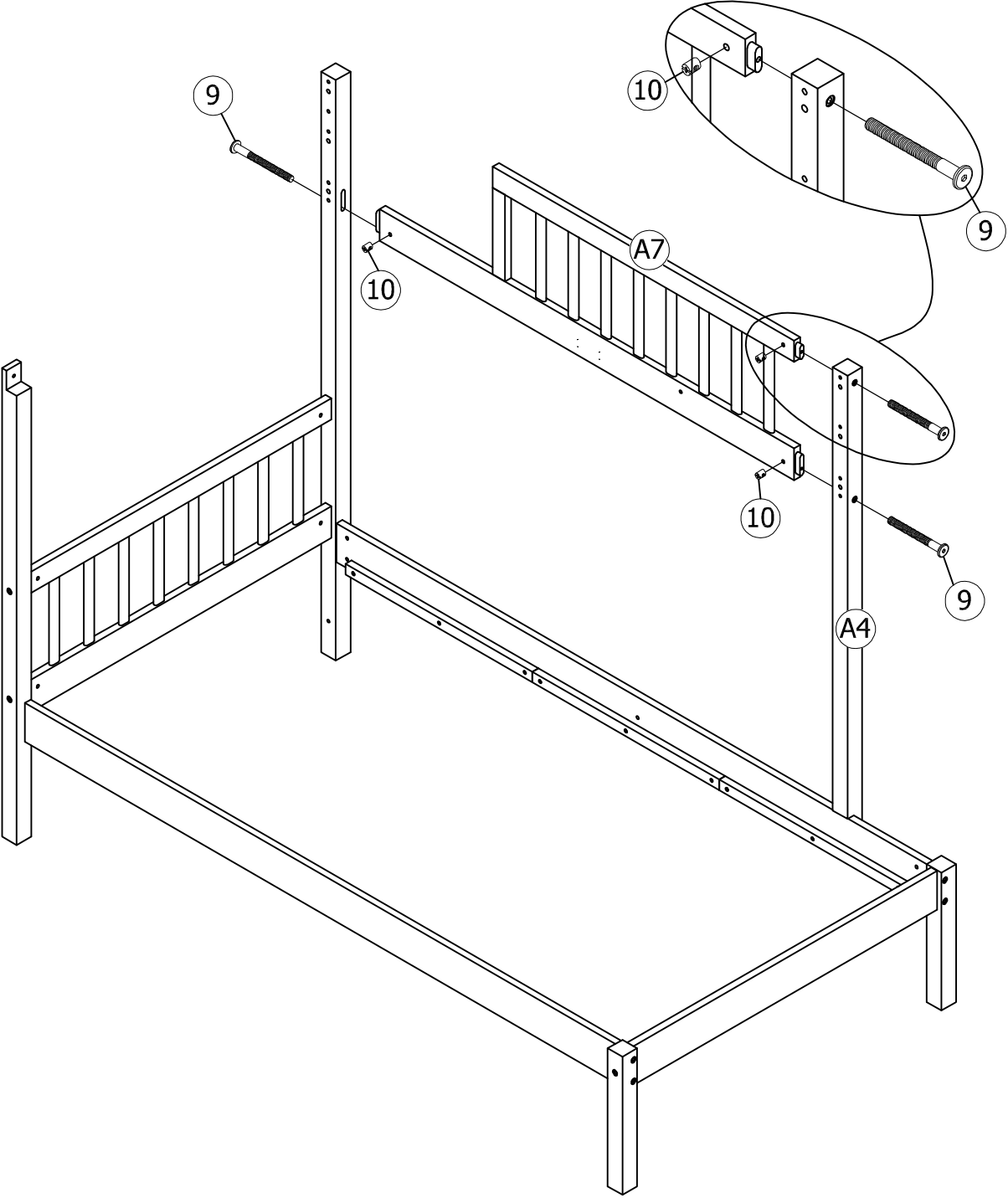
STEP3: Following below illustration.

14	10	9
		
4(pcs)	8(pcs)	8(pcs)

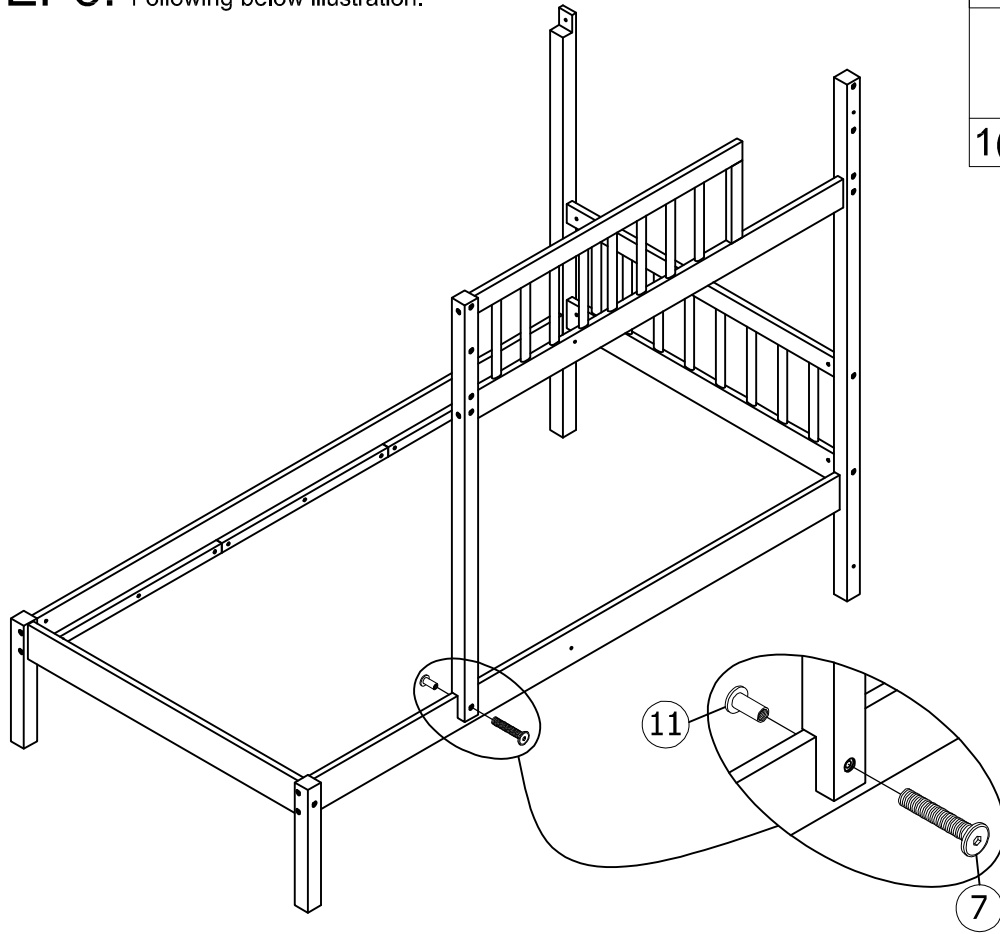


STEP4: Following below illustration.

10	9
	
3(pcs)	3(pcs)

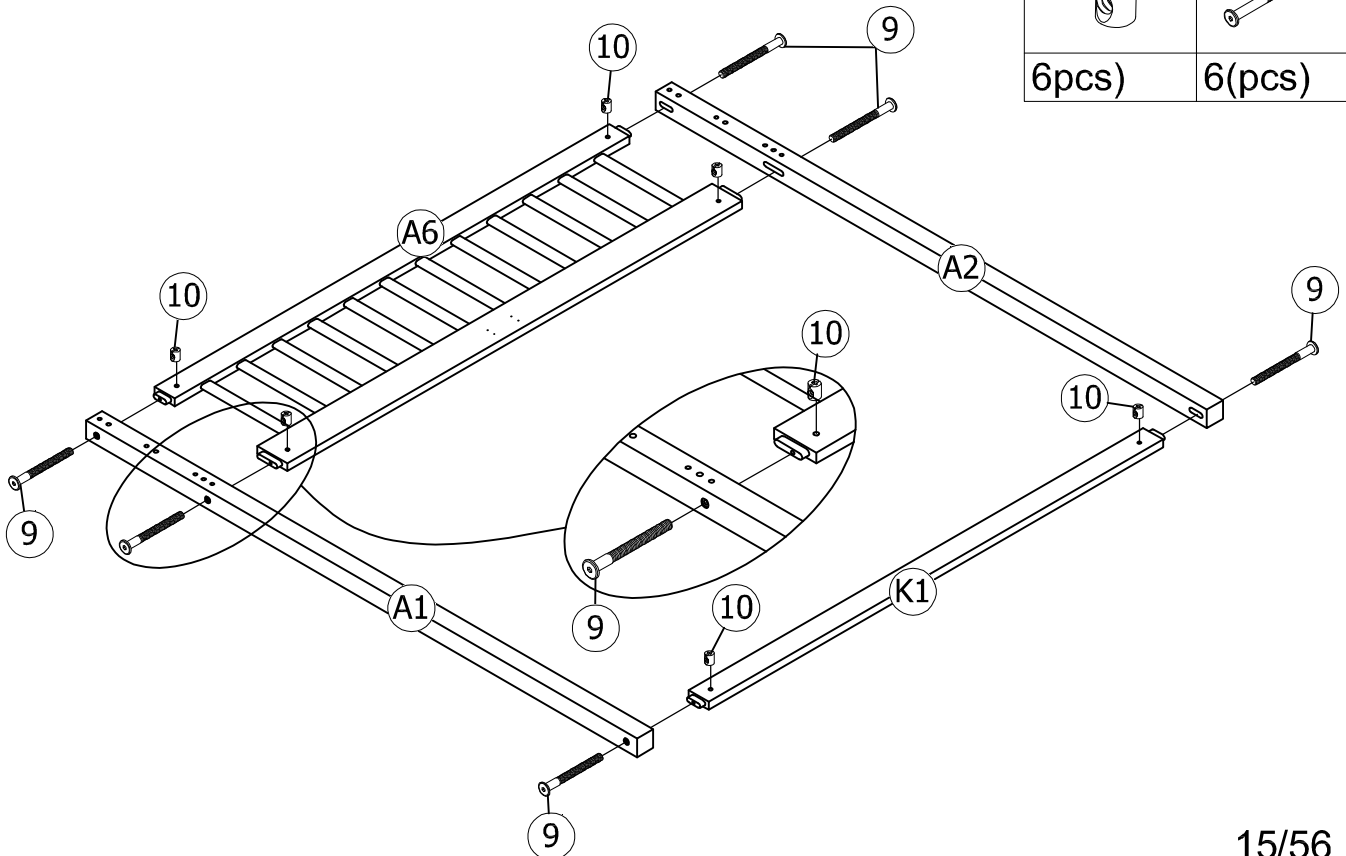


STEP5: Following below illustration.



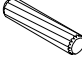


11	7
1(pc)	1(pc)

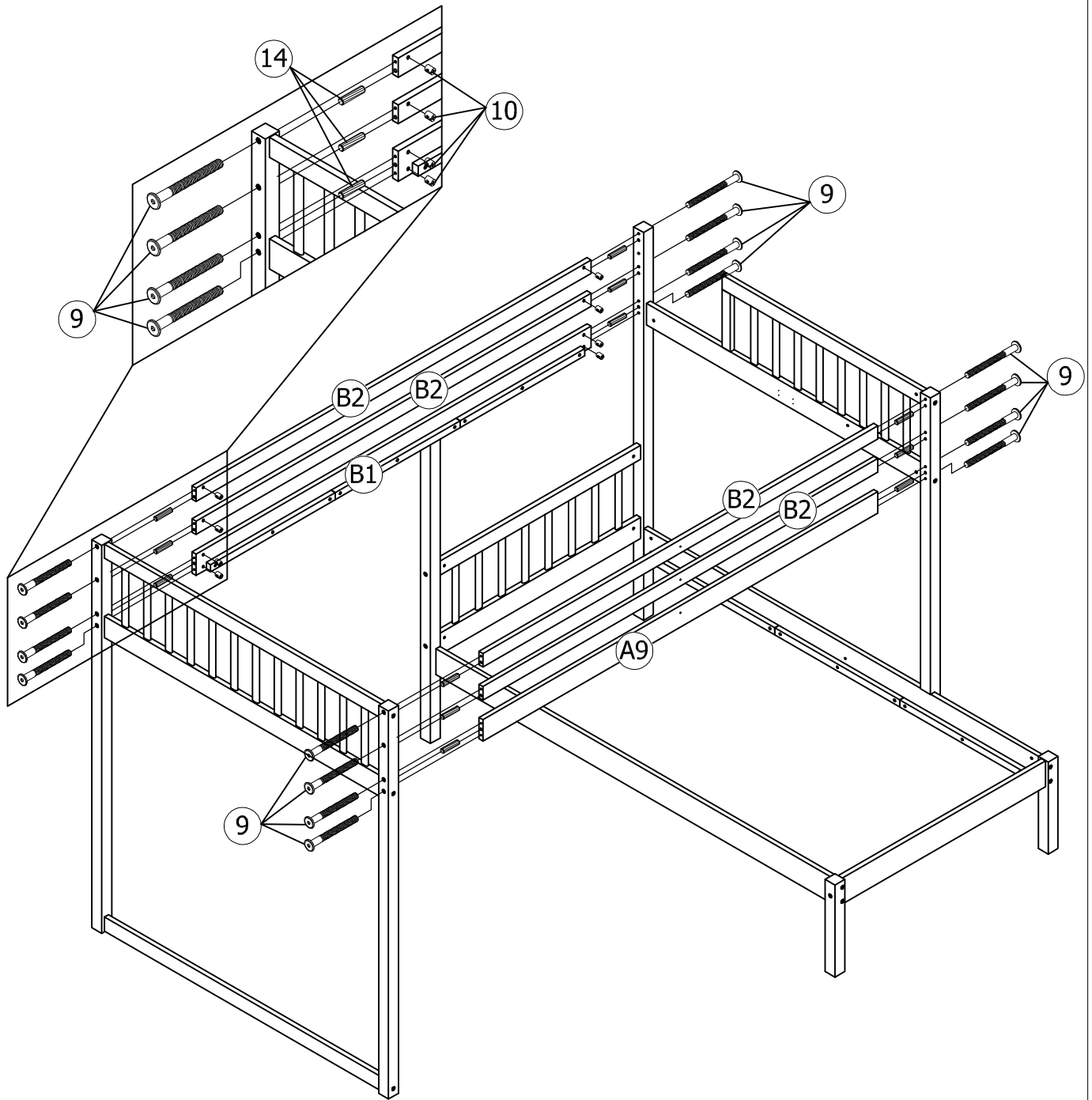
STEP6: Following below illustration.



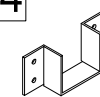

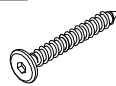
10	9
6(pcs)	6(pcs)

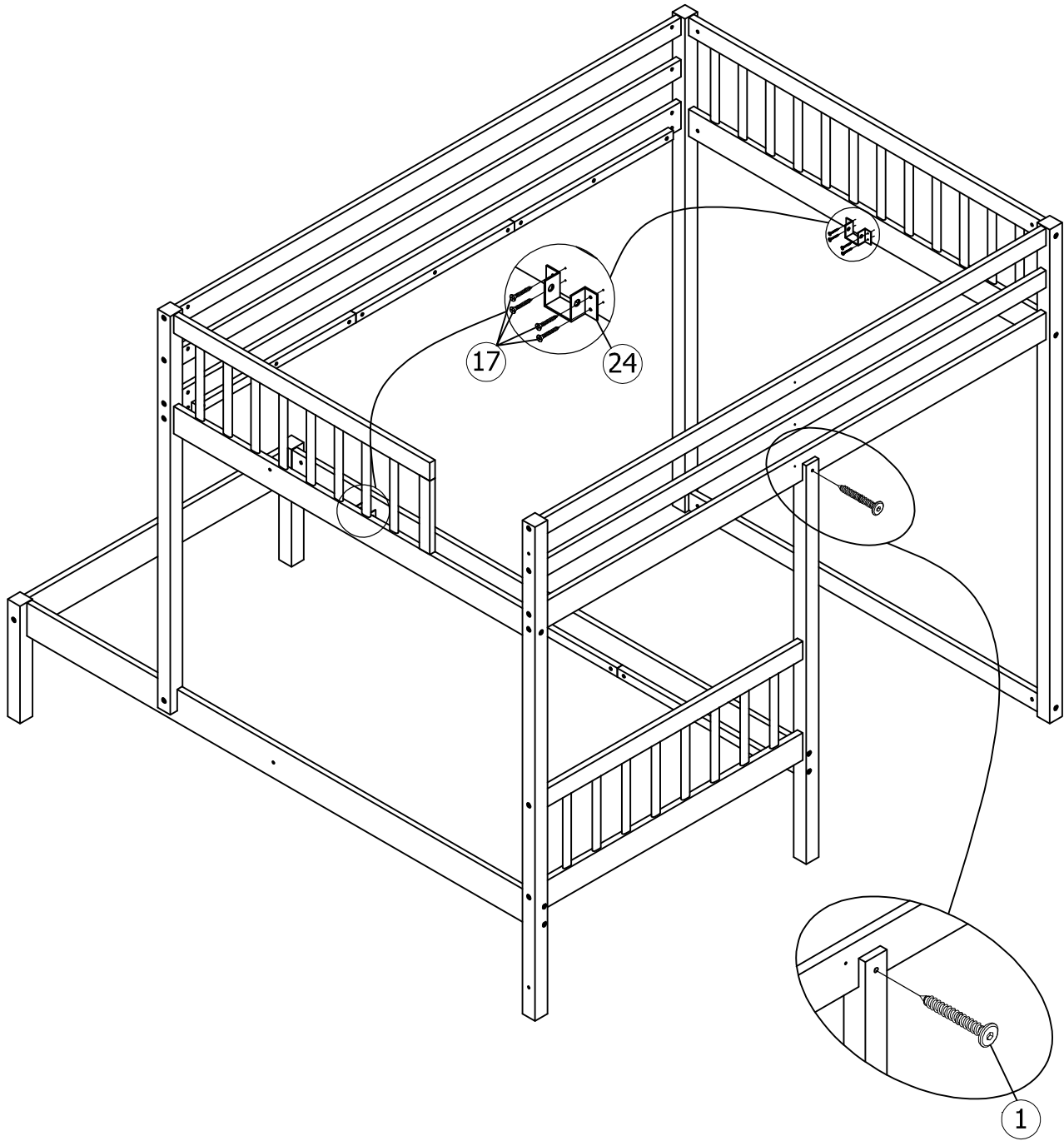
STEP7: Following below illustration.

14	10	9
		
12(pcs)	16(pcs)	16(pcs)



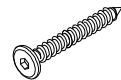
STEP8: Following below illustration.

24 	17 	1 
2(pcs)	8(pcs)	1(pc)

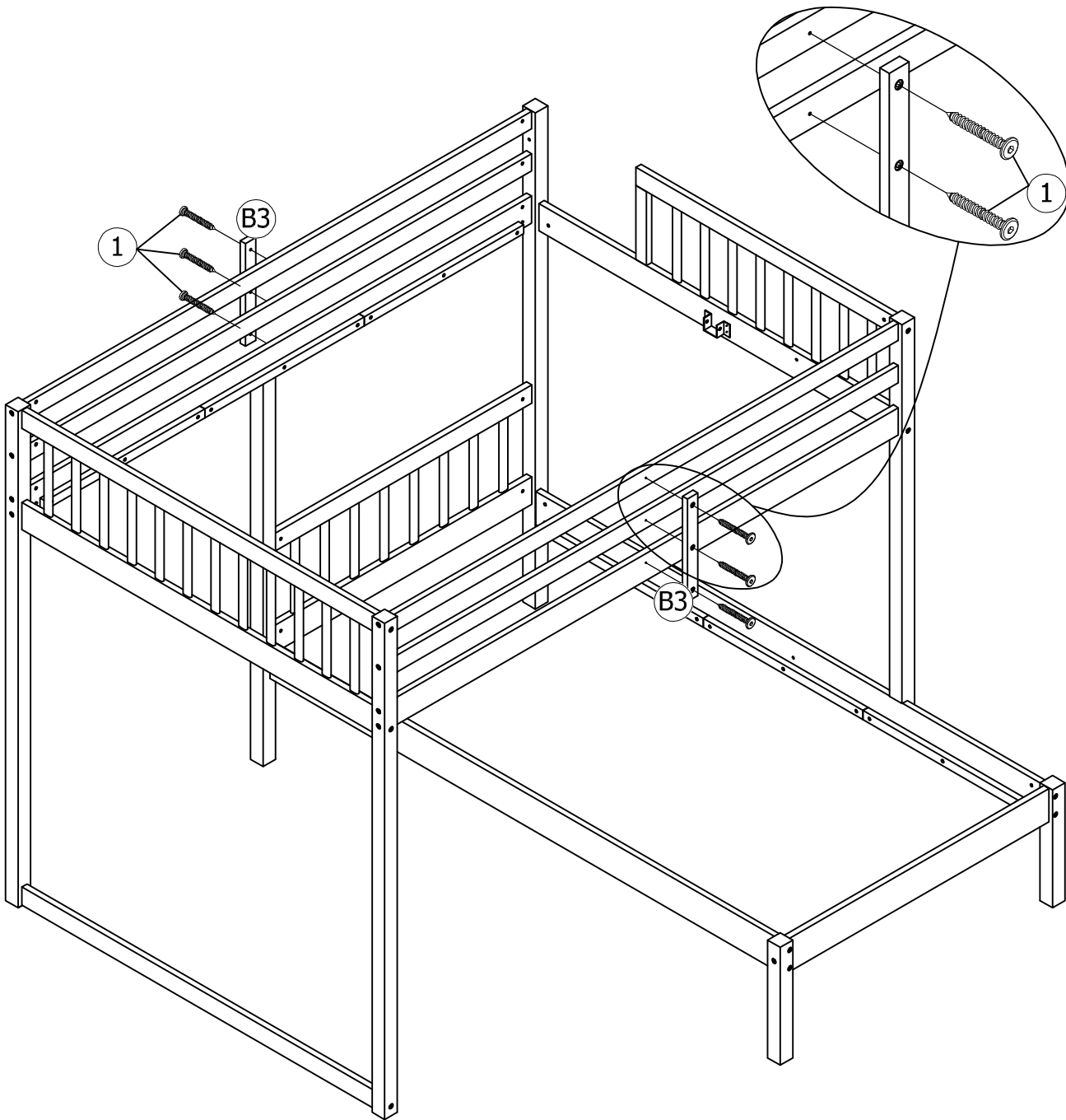


STEP9: Following below illustration.

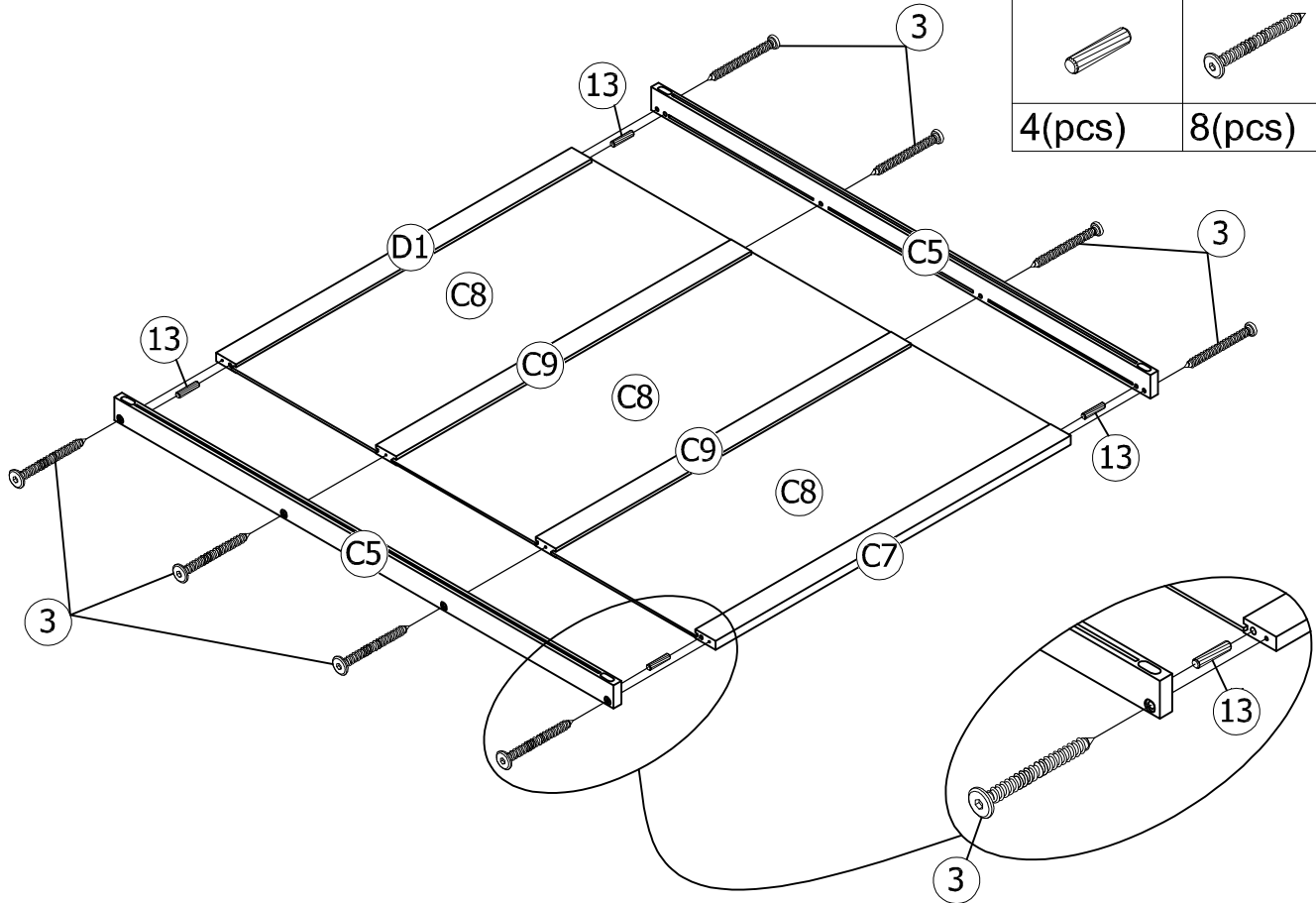
1



6(pcs)

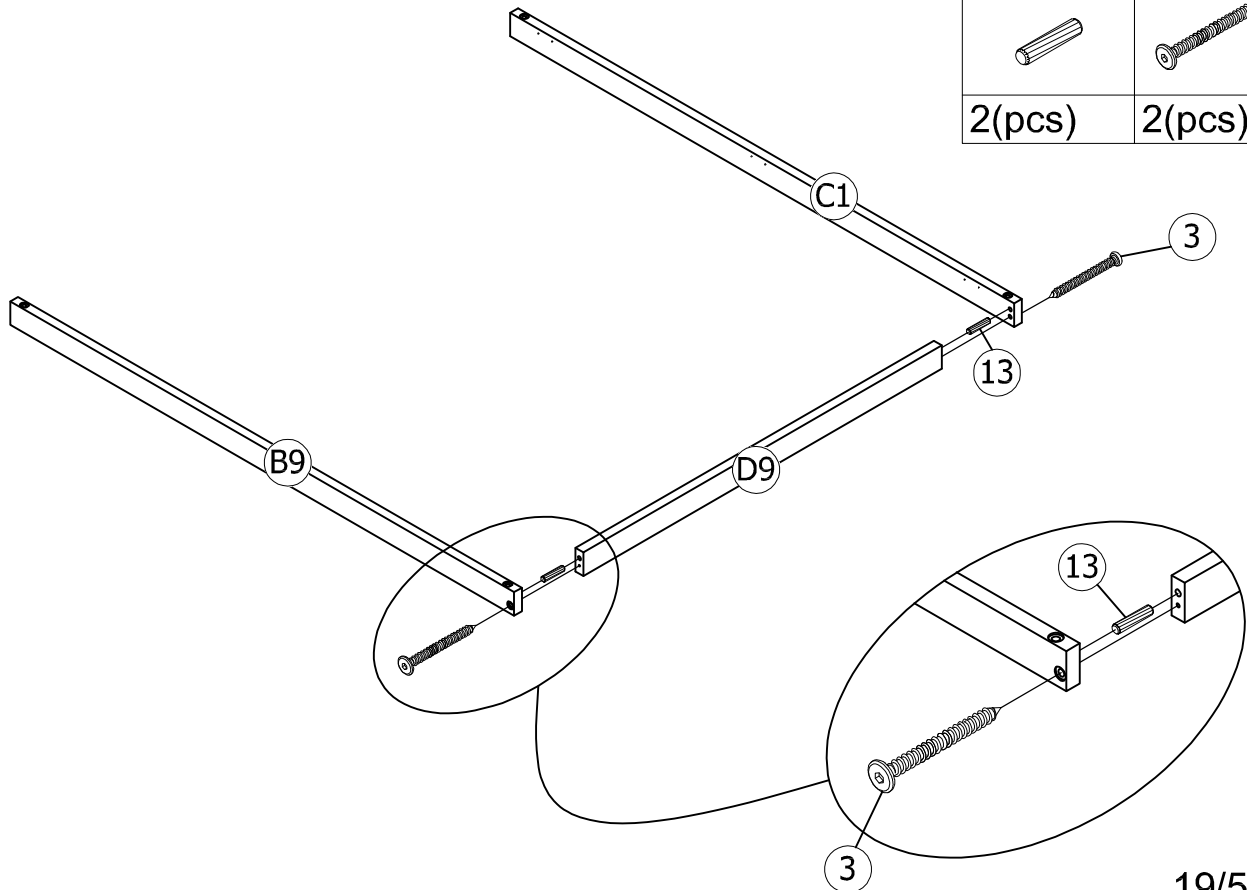


STEP10: Following below illustration.



13	3
4(pcs)	8(pcs)

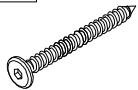
STEP11: Following below illustration.



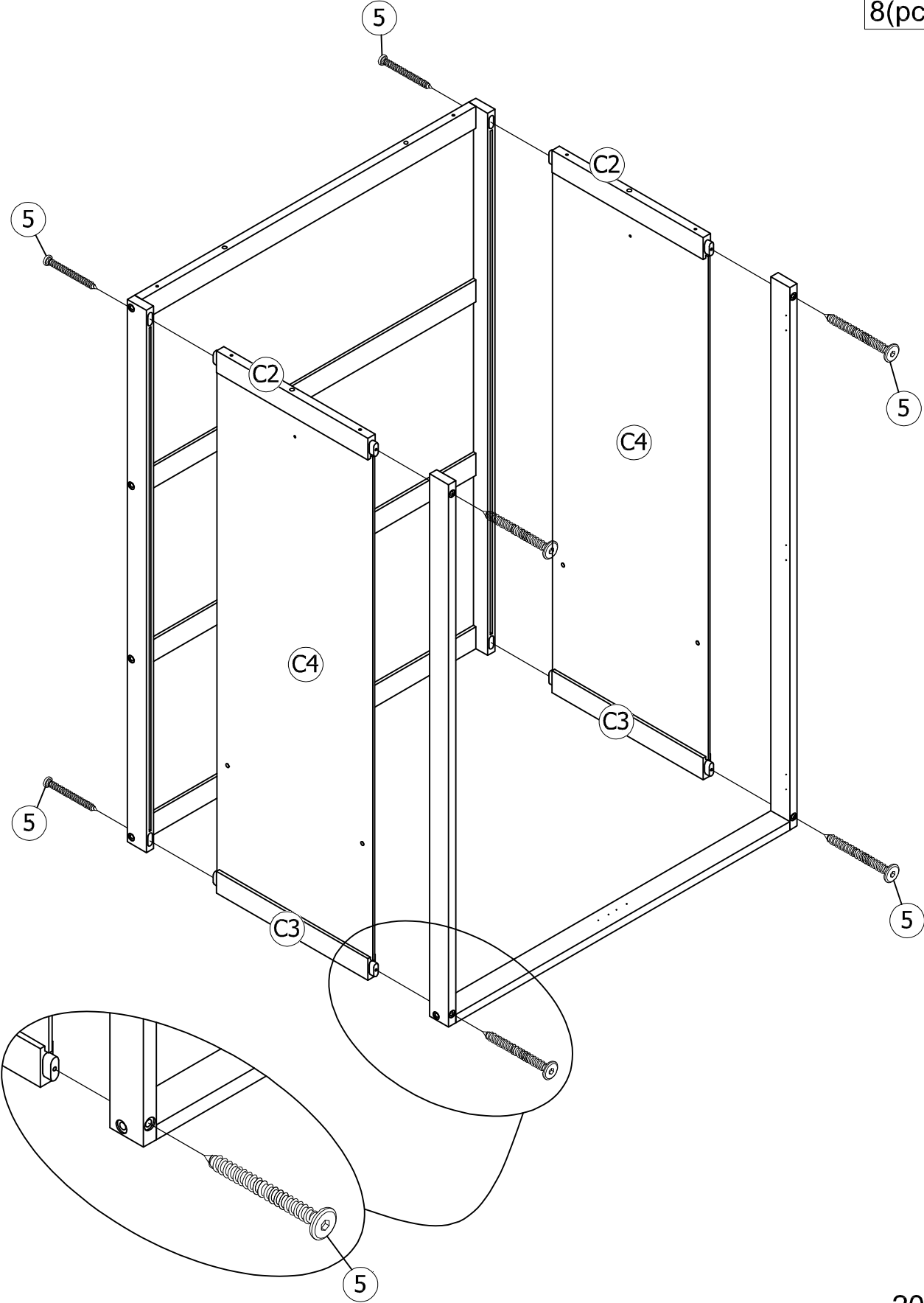
13	3
2(pcs)	2(pcs)

STEP 12: Following below illustration.

5

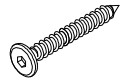


8(pcs)

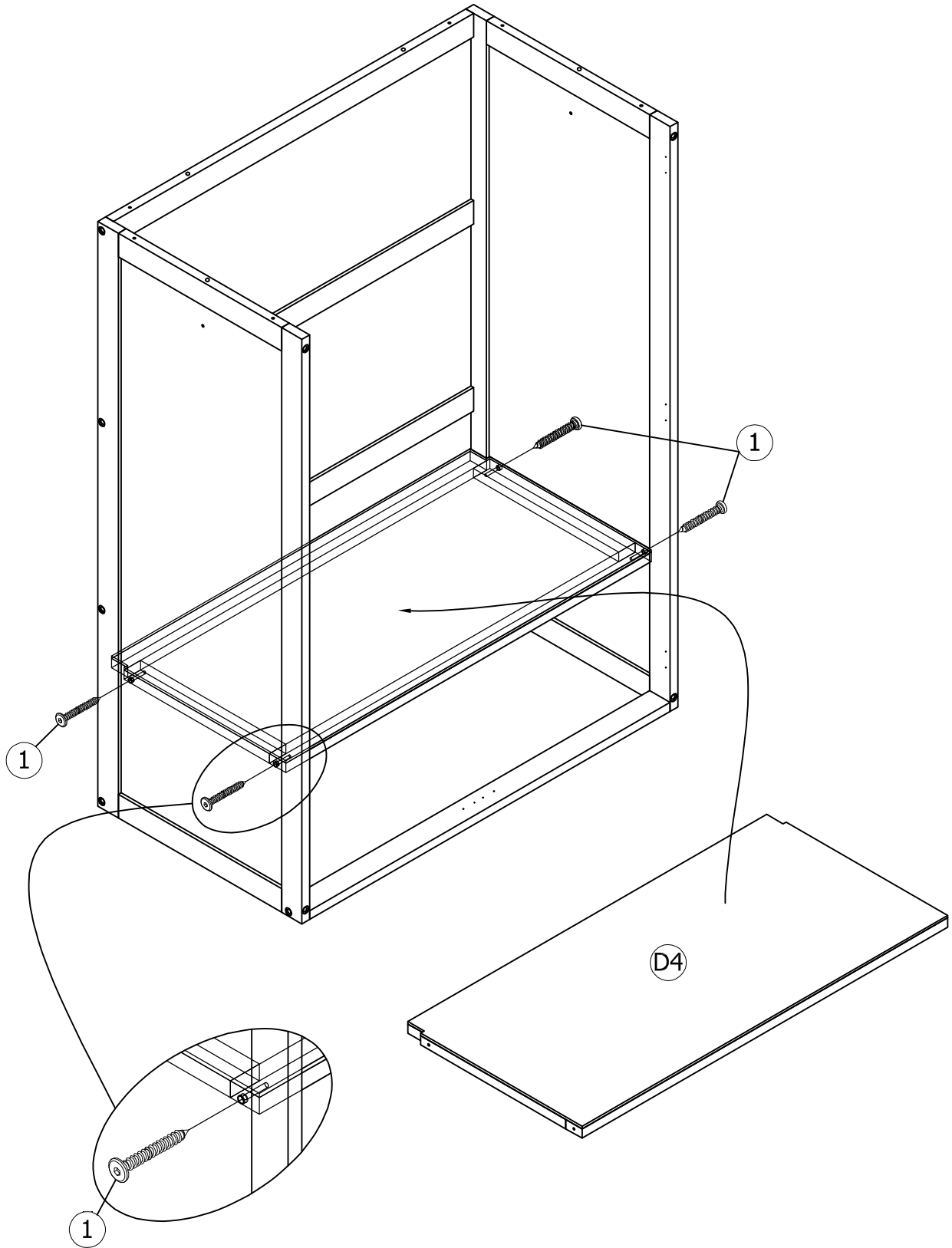


STEP 13: Following below illustration.

1



4(pcs)

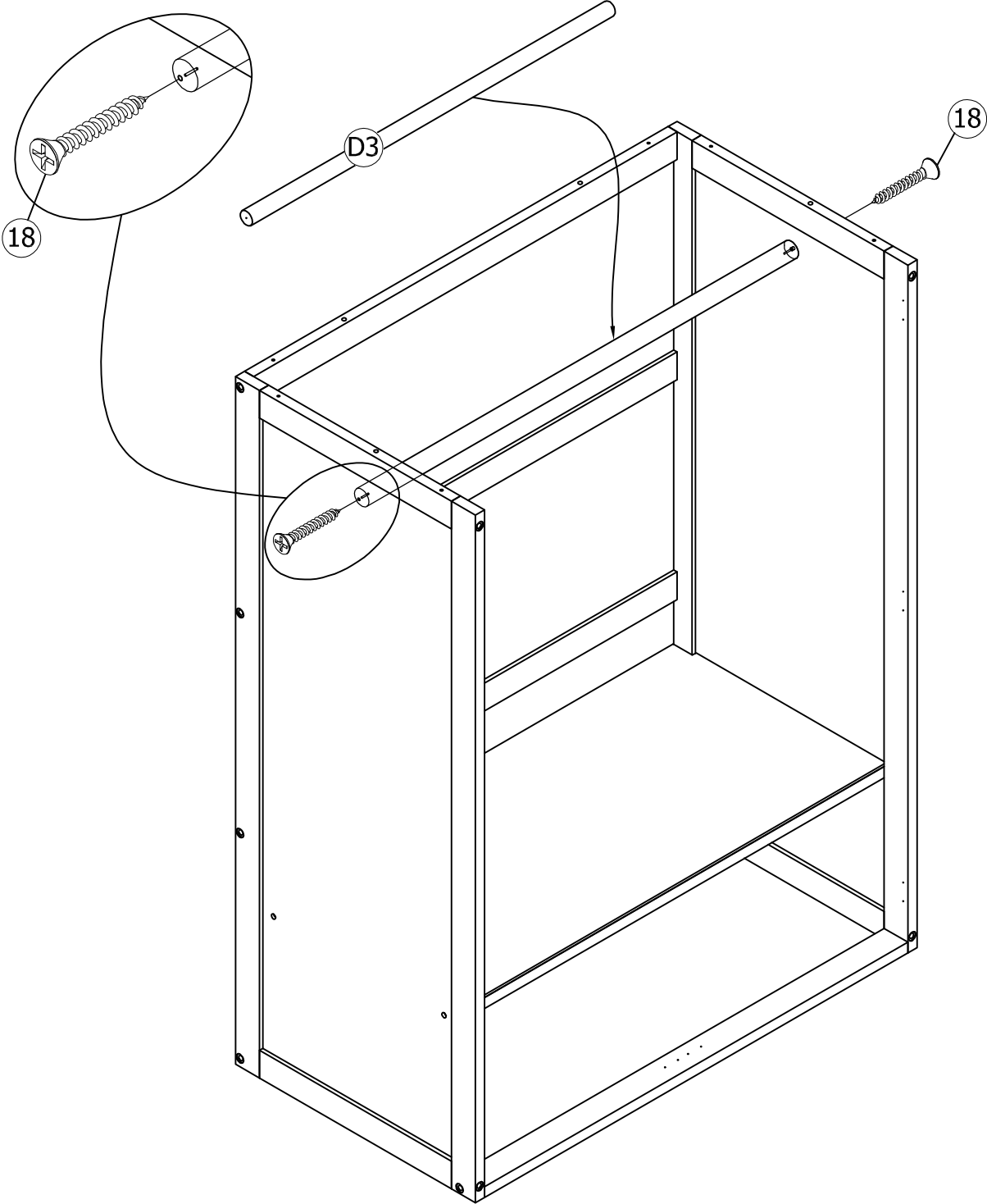


STEP14: Following below illustration.

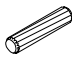

18

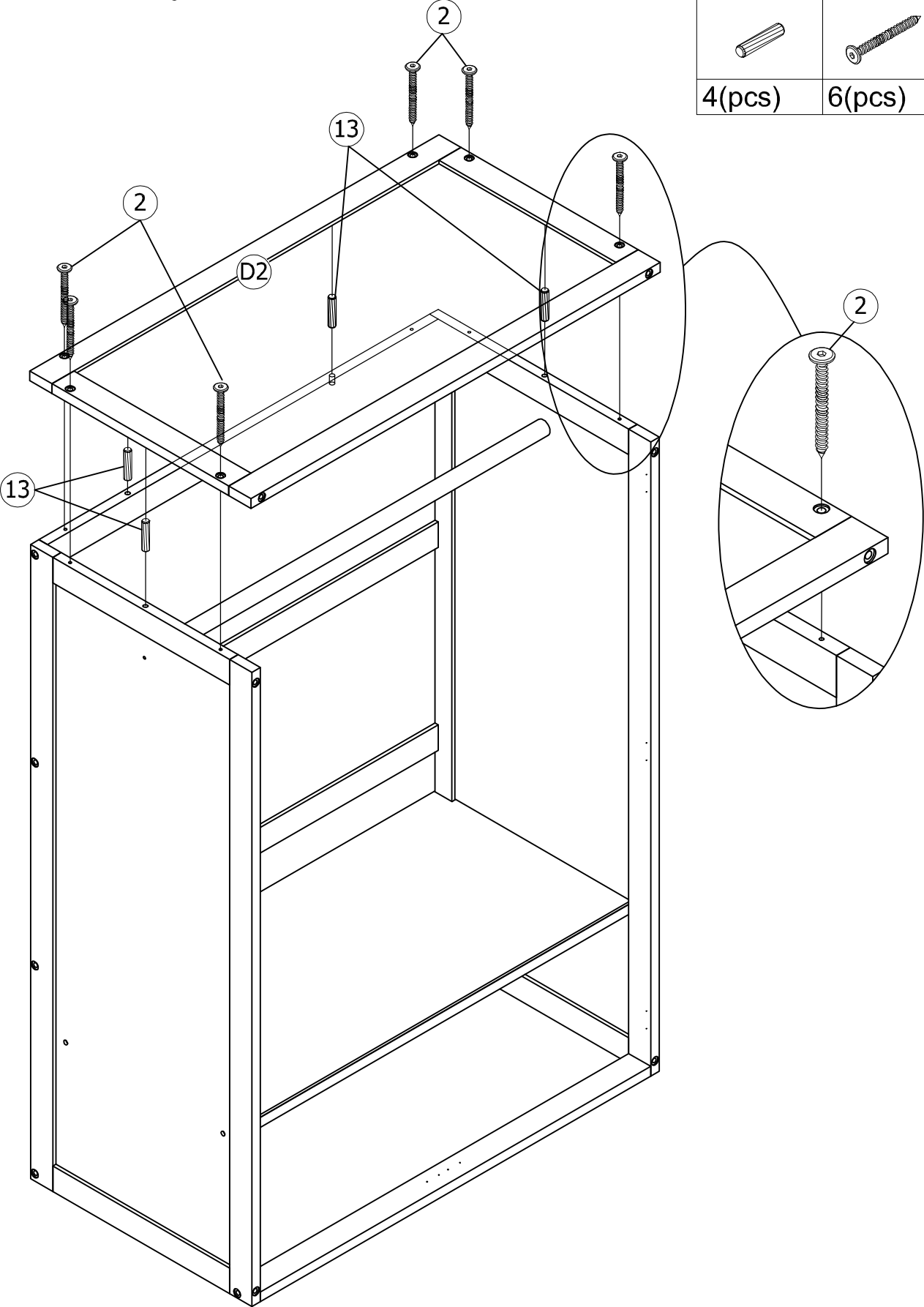


2(pcs)

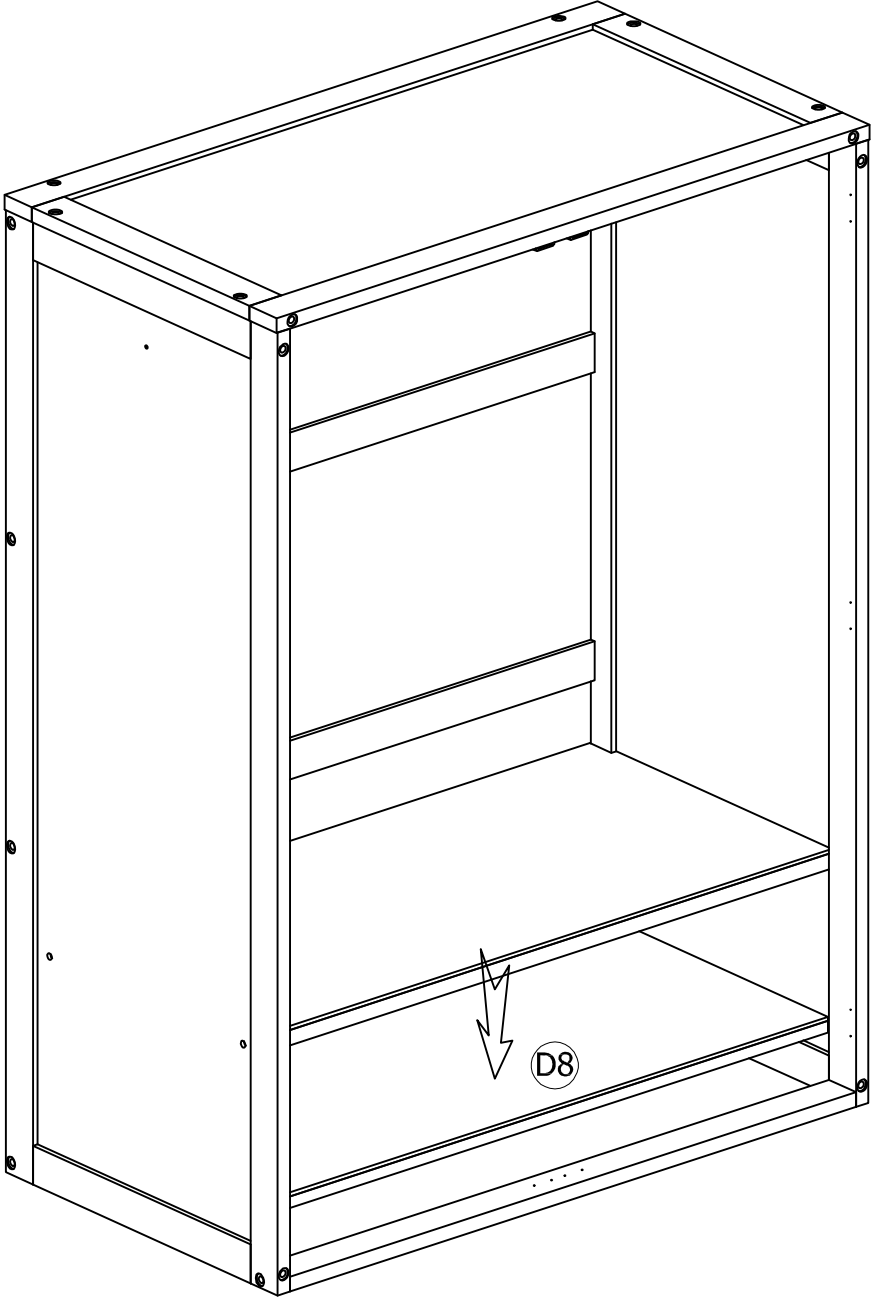


STEP 15: Following below illustration.

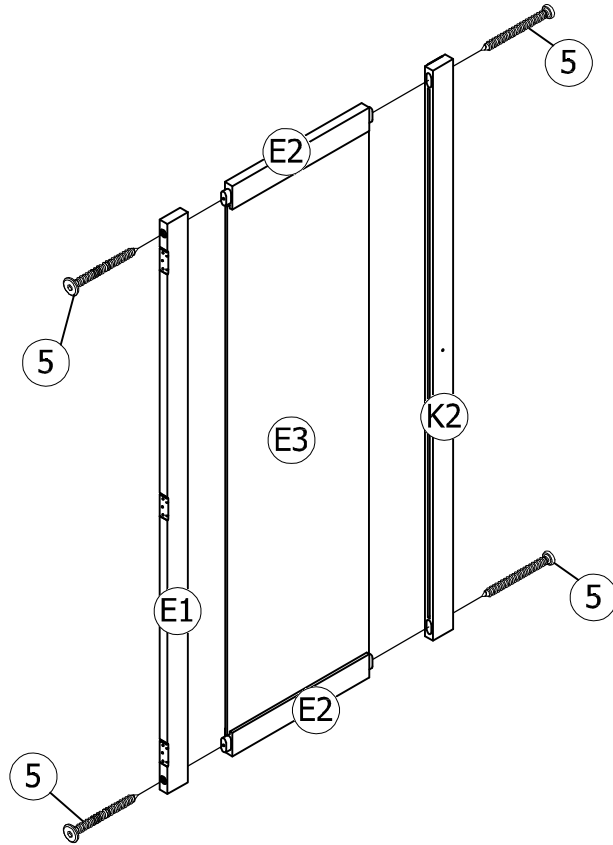
13	2
	
4(pcs)	6(pcs)



STEP 16: Following below illustration.



STEP17: Following below illustration.

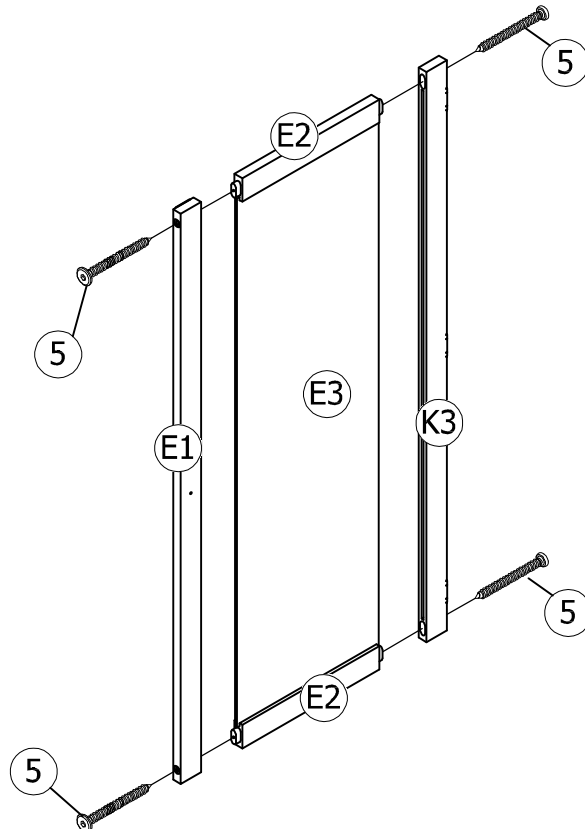


5

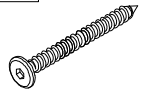


4(pcs)

STEP18: Following below illustration.



5



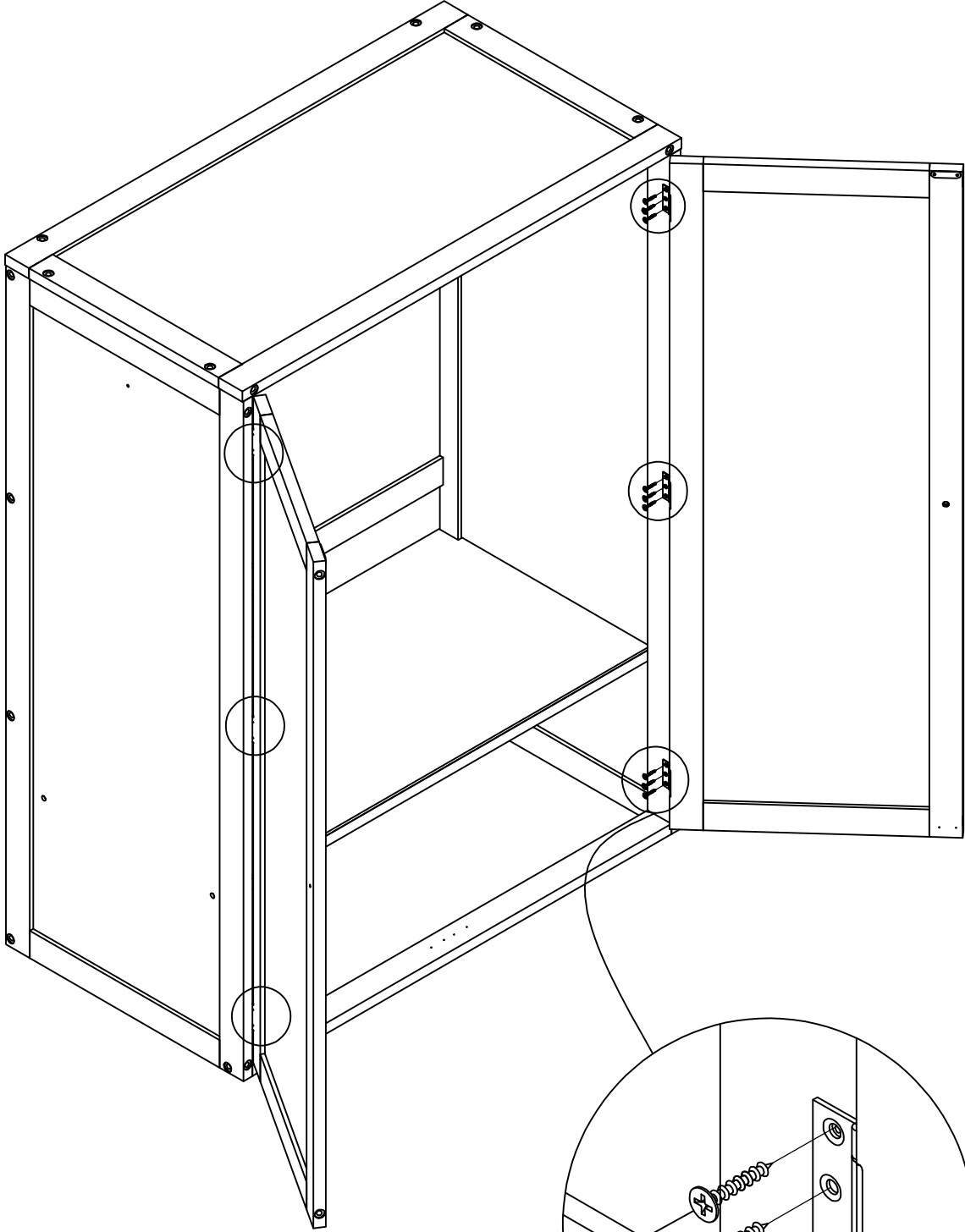
4(pcs)

STEP 19: Following below illustration.

16





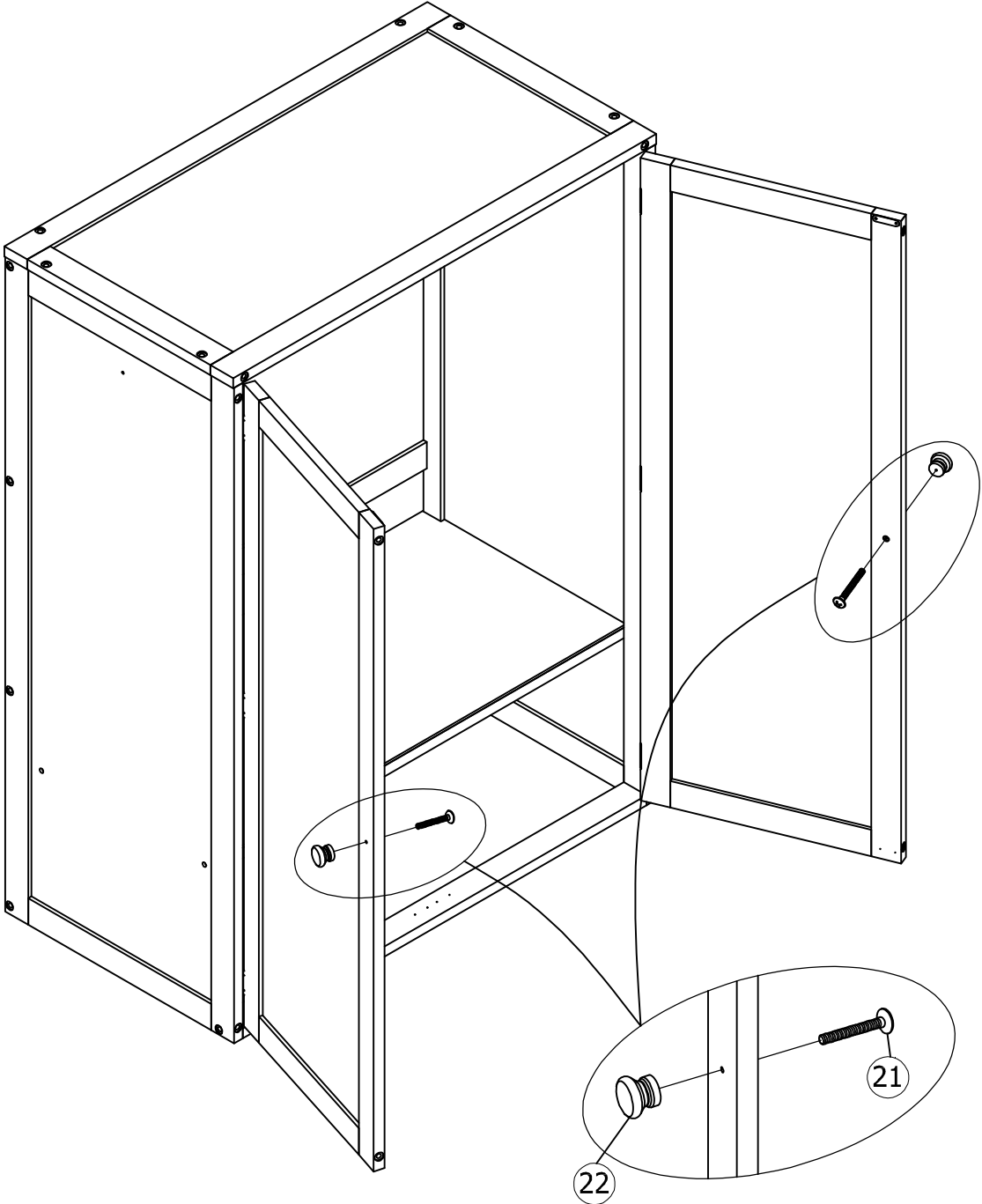
18(pcs)





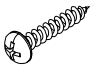
16

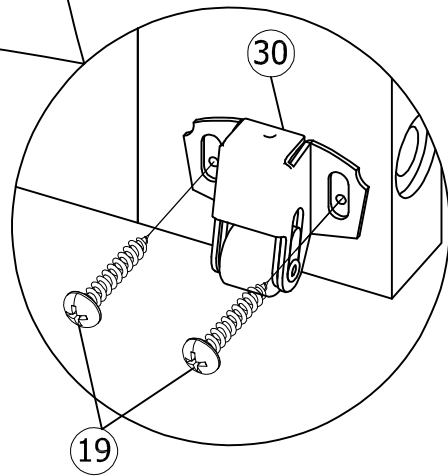
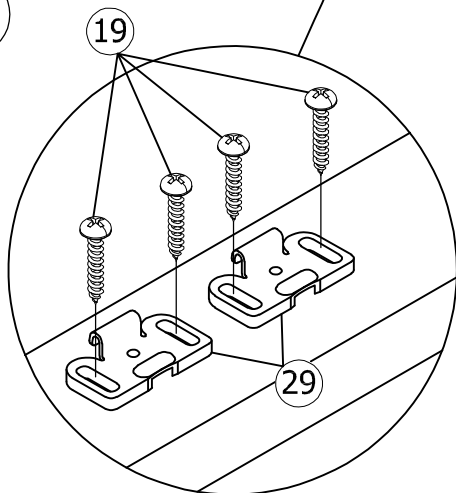
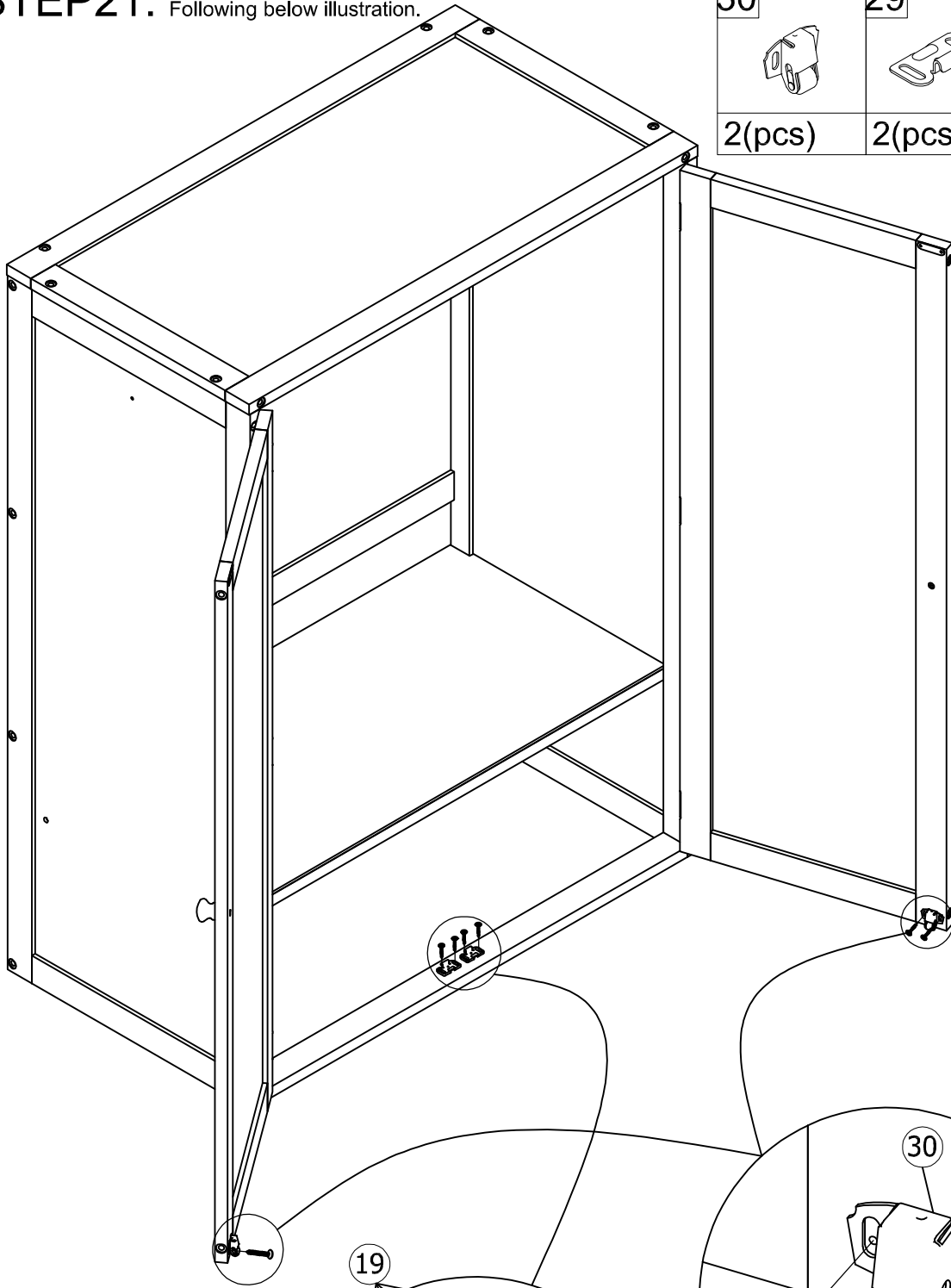
STEP20: Following below illustration.

22 	21 
2(pcs)	2(pcs)

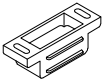
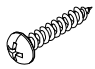


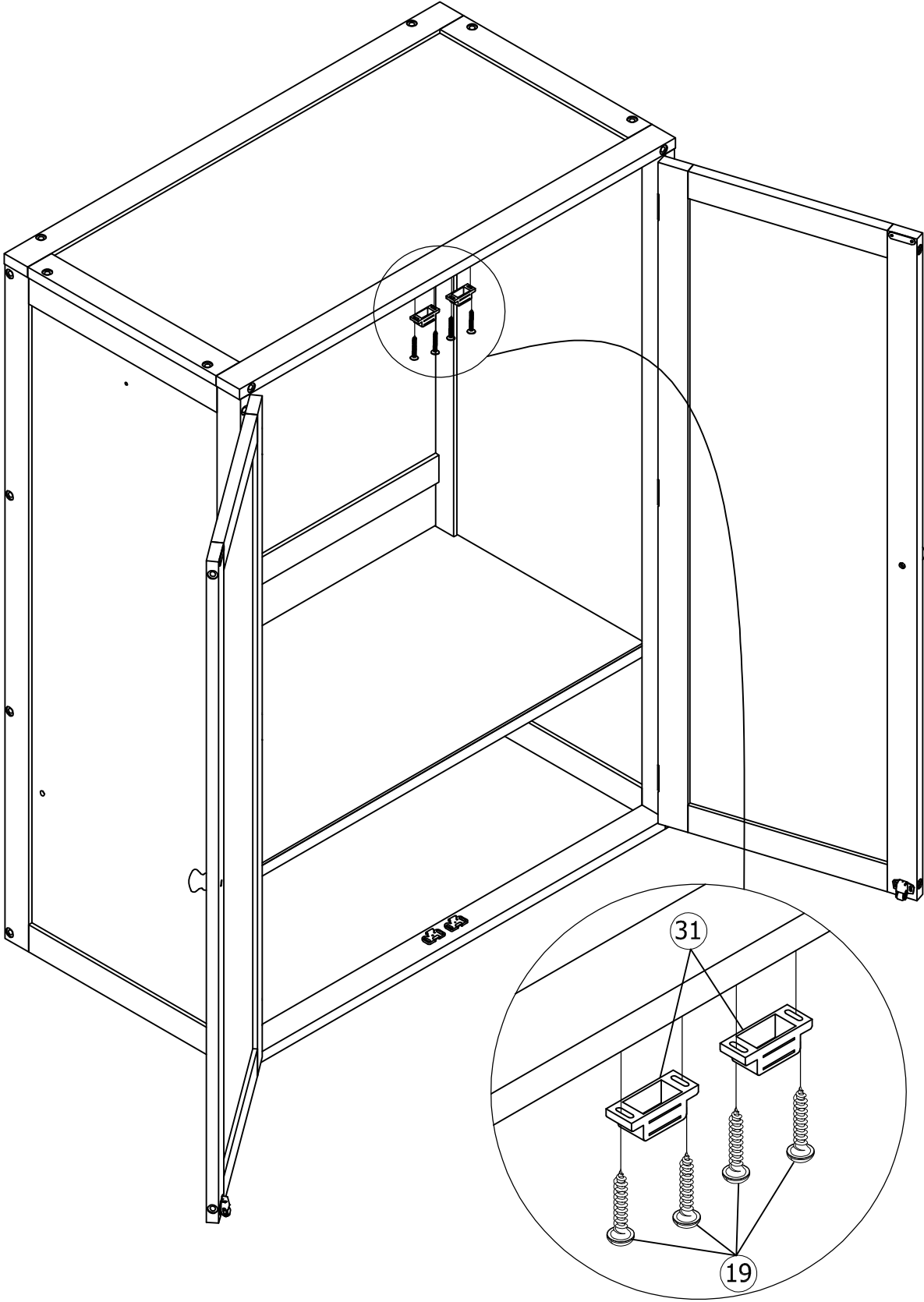
STEP21: Following below illustration.

30	29	19
		
2(pcs)	2(pcs)	8(pcs)

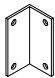



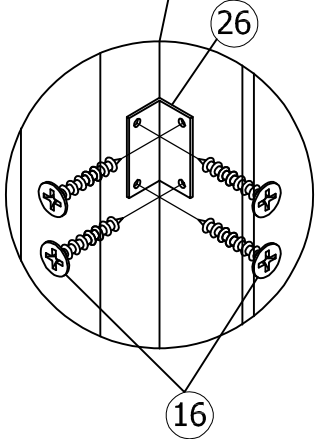
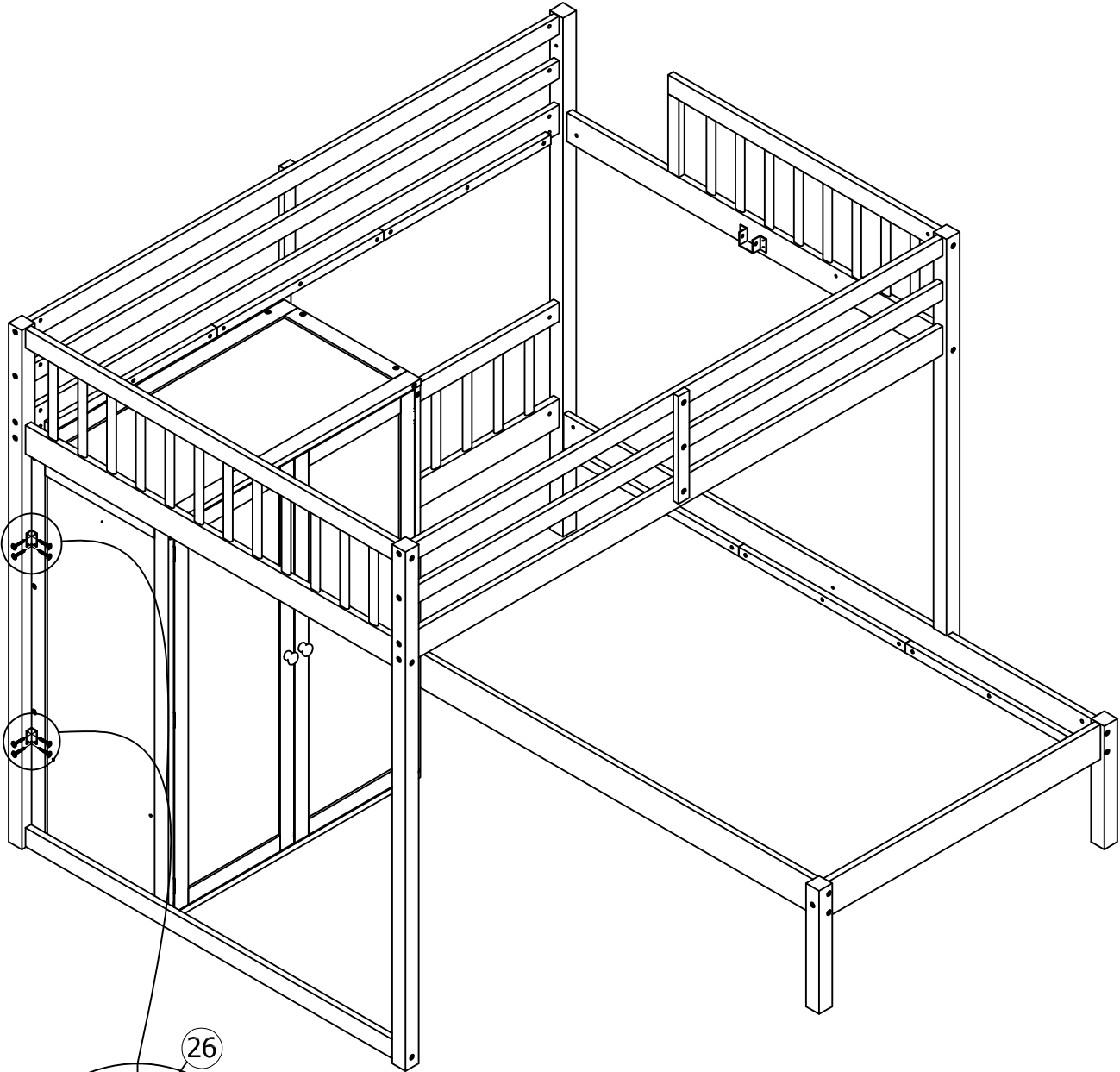
STEP22: Following below illustration.

31 	19 
2(pcs)	4(pcs)

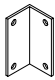



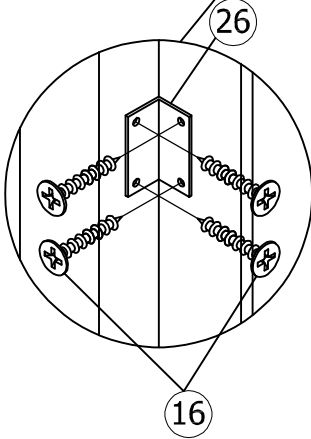
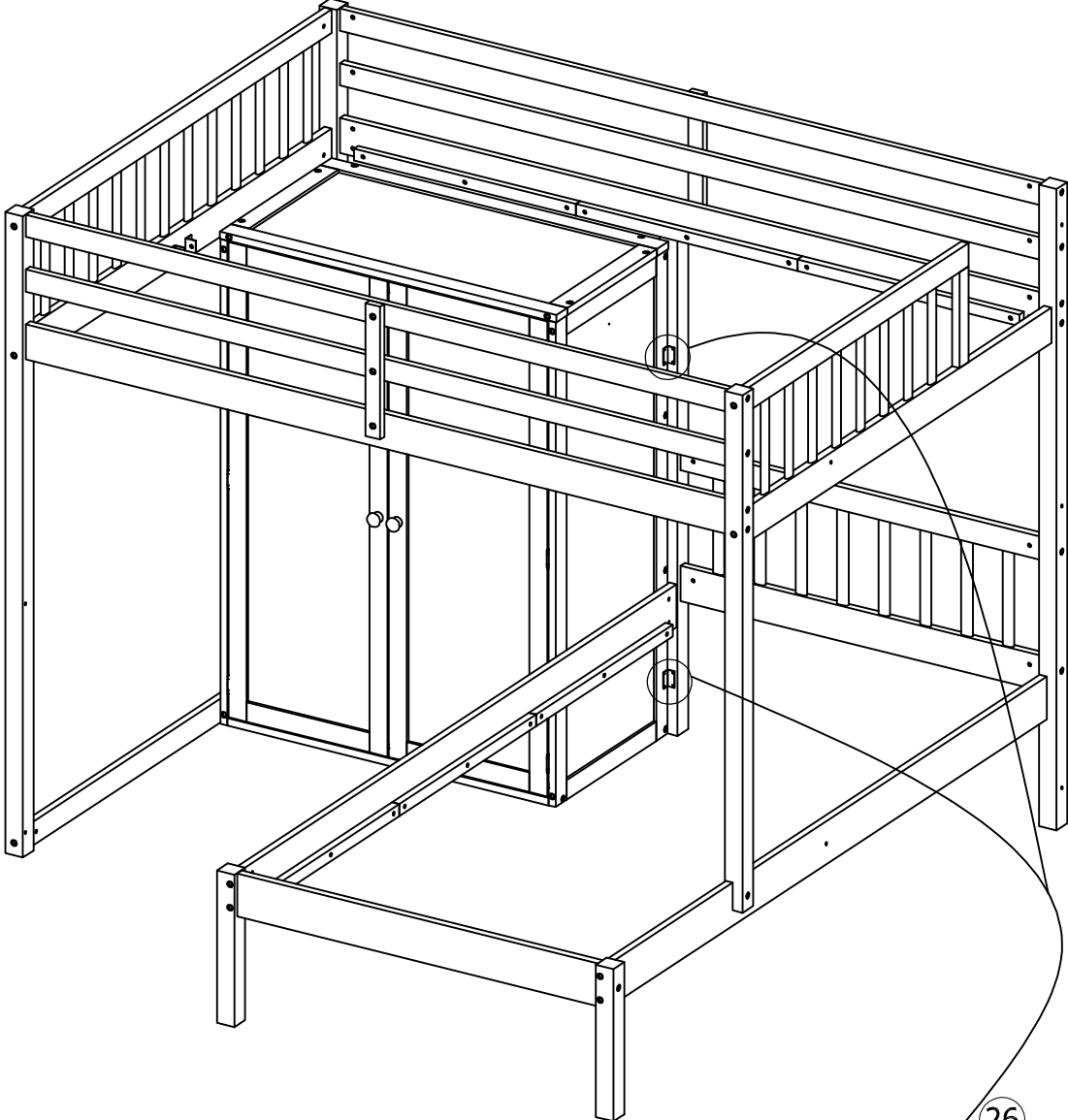
STEP23: Following below illustration.

26	16
	
2(pcs)	8(pcs)





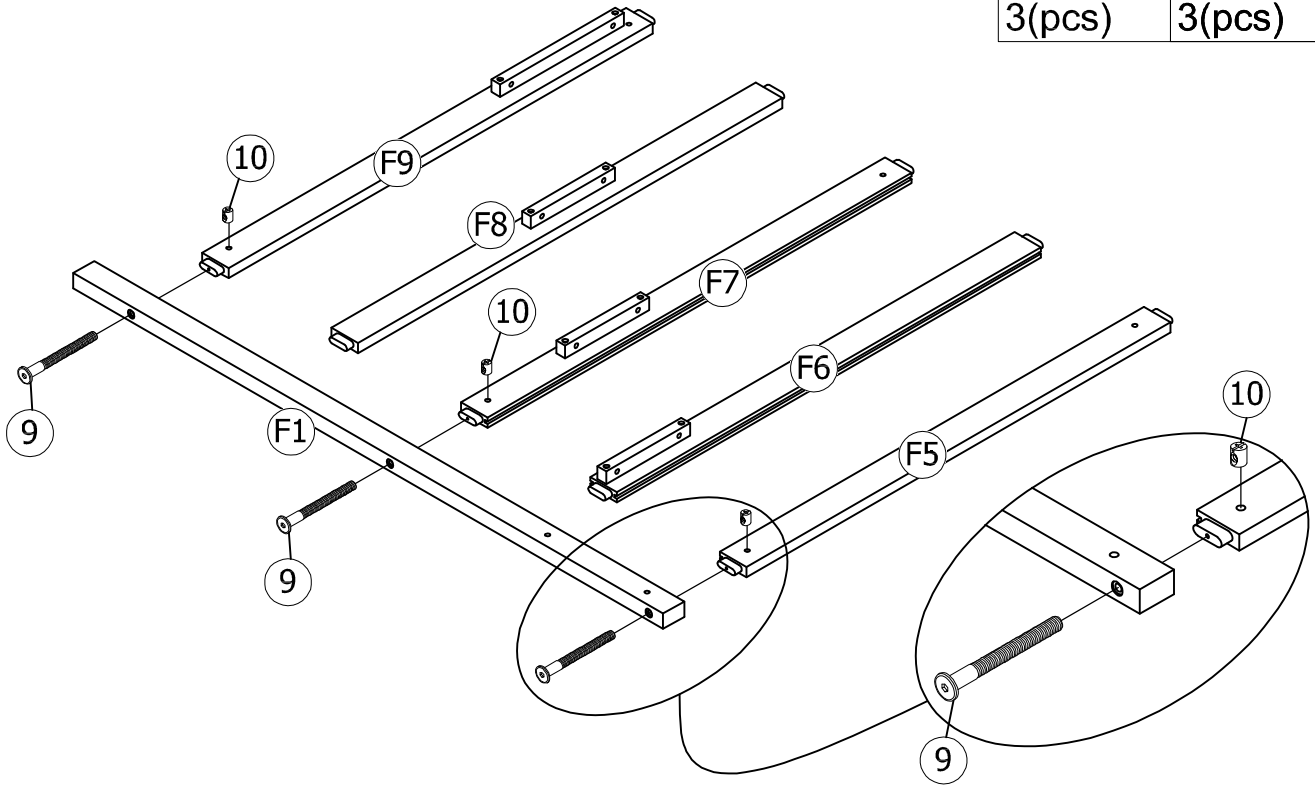
STEP24: Following below illustration.

26 	16 
2(pcs)	8(pcs)





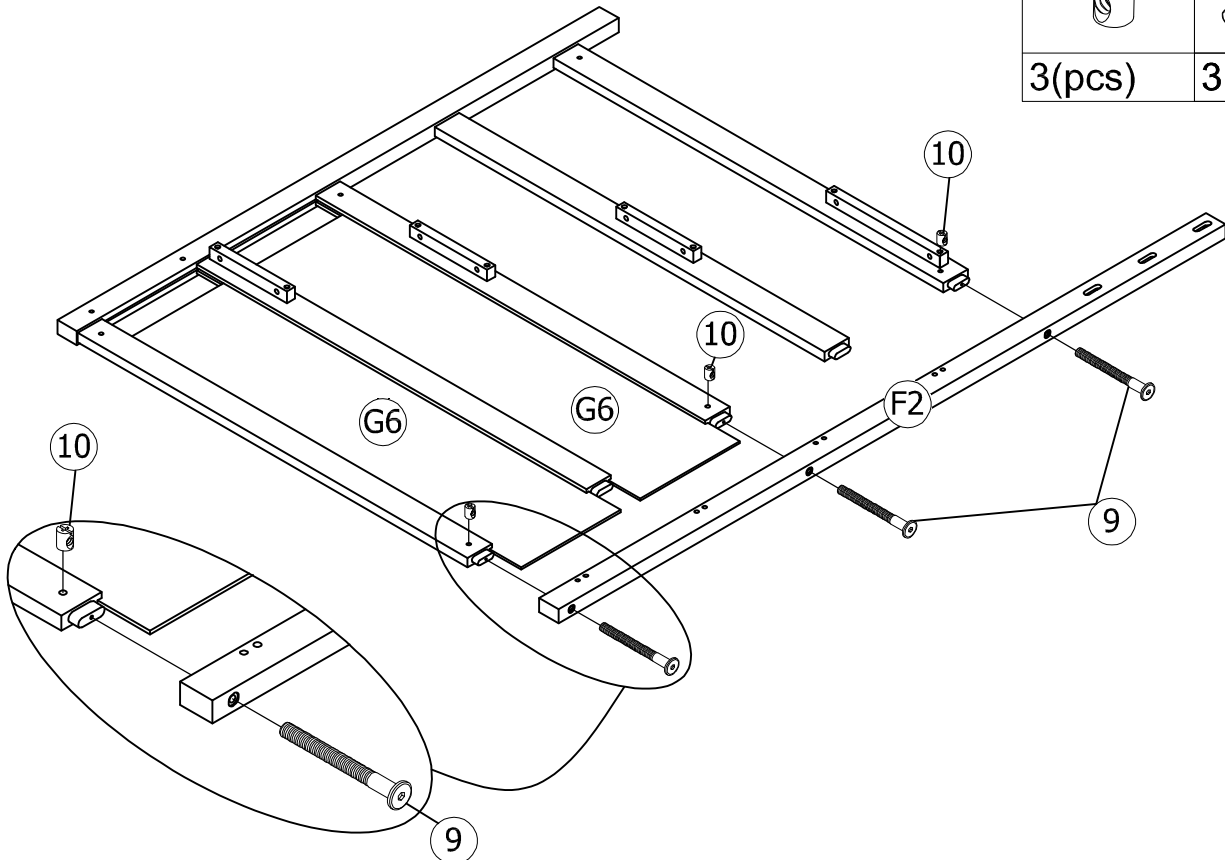
STEP25: Following below illustration.

10	9
	
3(pcs)	3(pcs)

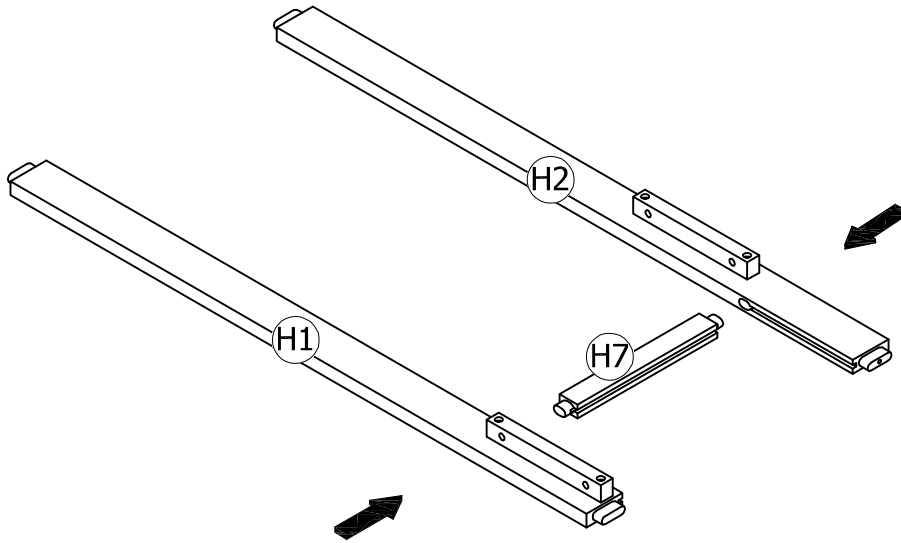


STEP26: Following below illustration.

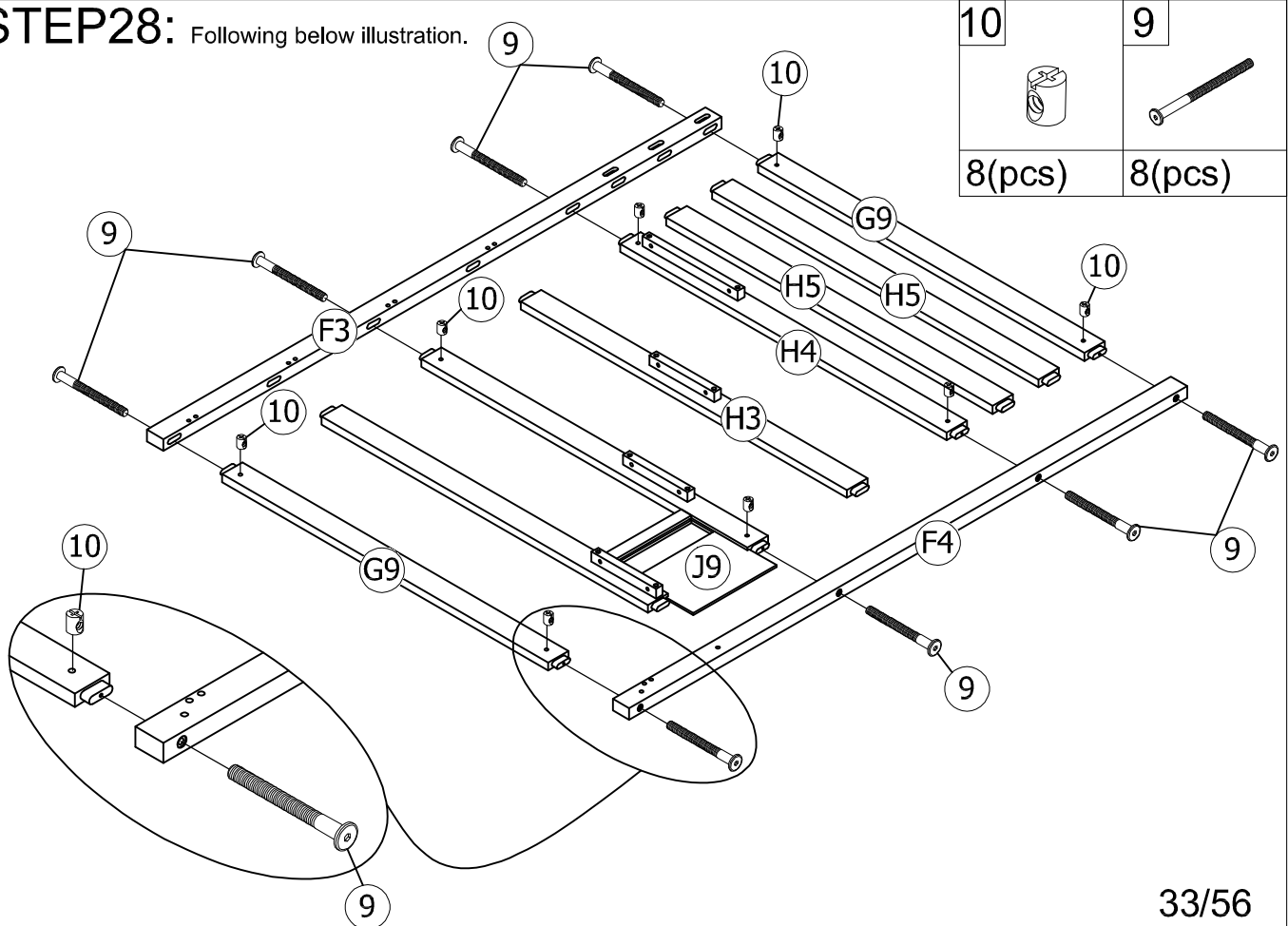
10	9
	
3(pcs)	3(pcs)



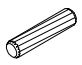

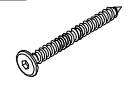

STEP27: Following below illustration.

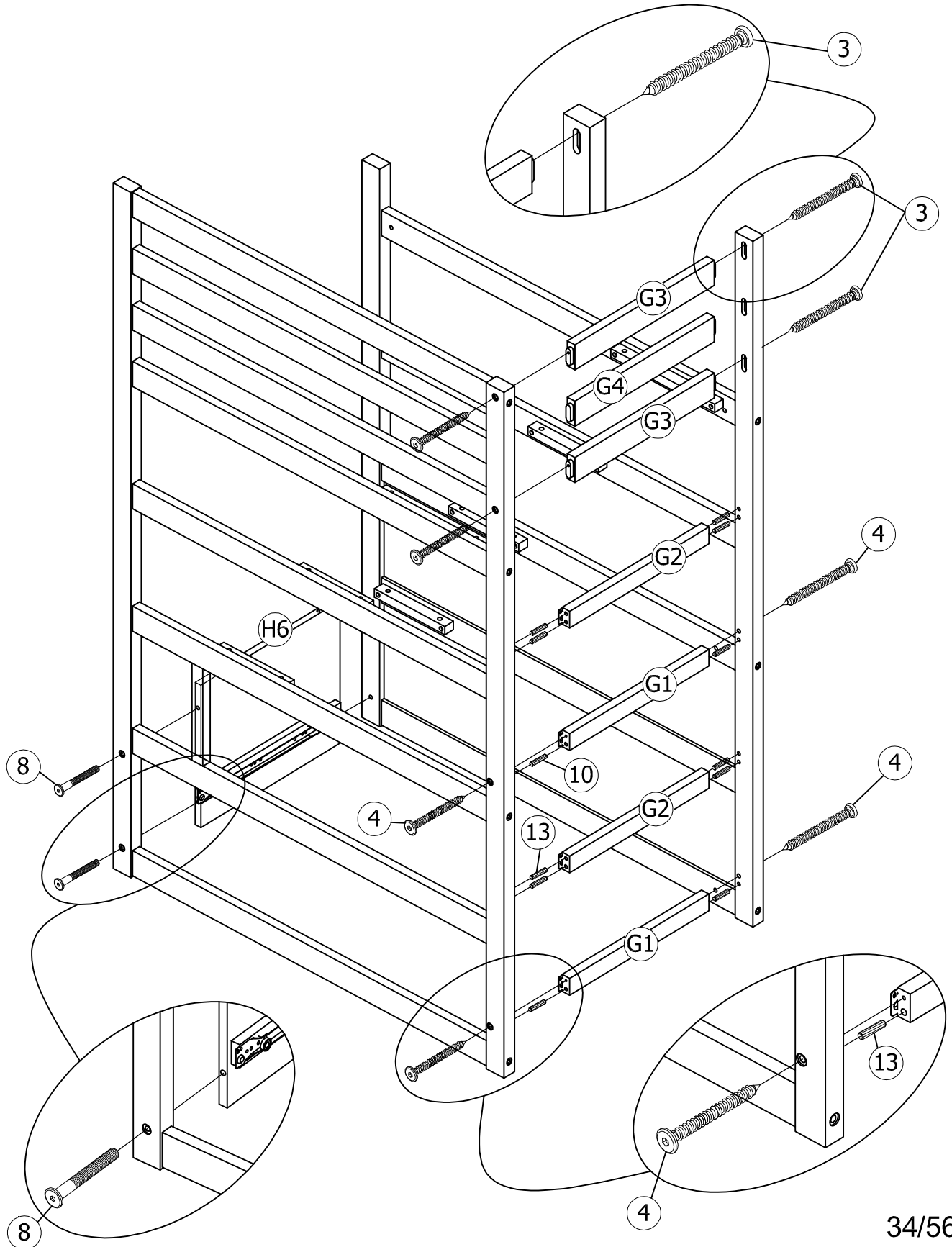


STEP28: Following below illustration.

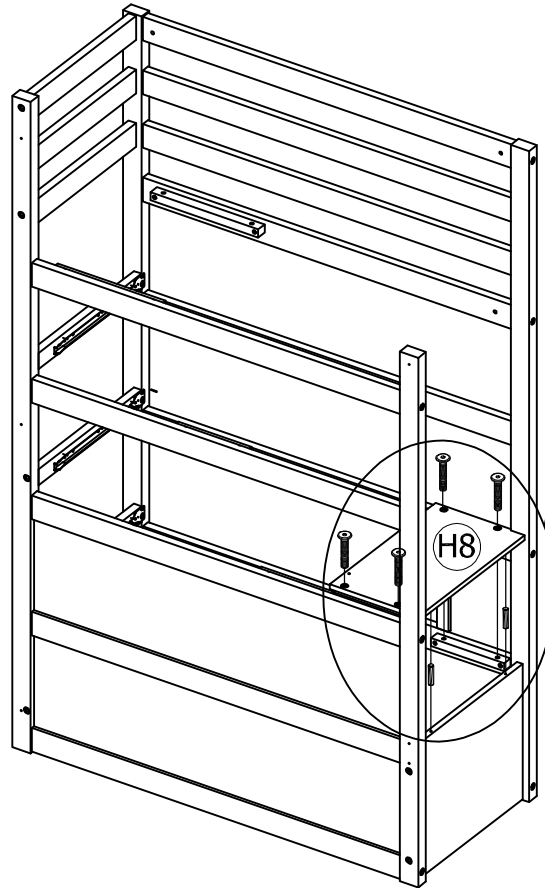


STEP29: Following below illustration.

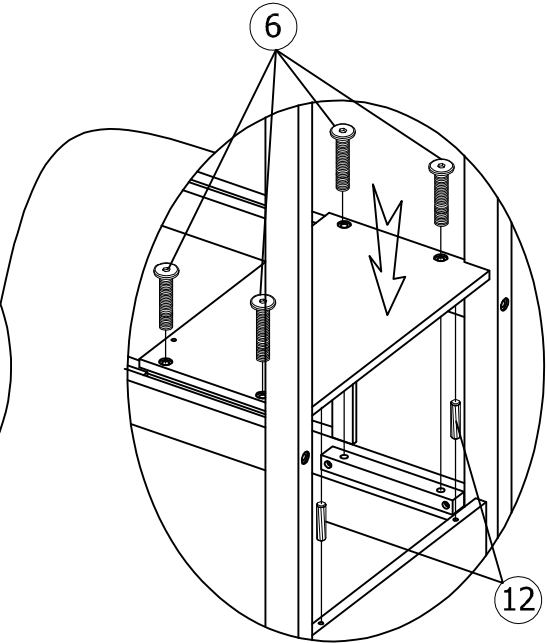
13	8	4	3
			
12(pcs)	4(pcs)	4(pcs)	4(pcs)



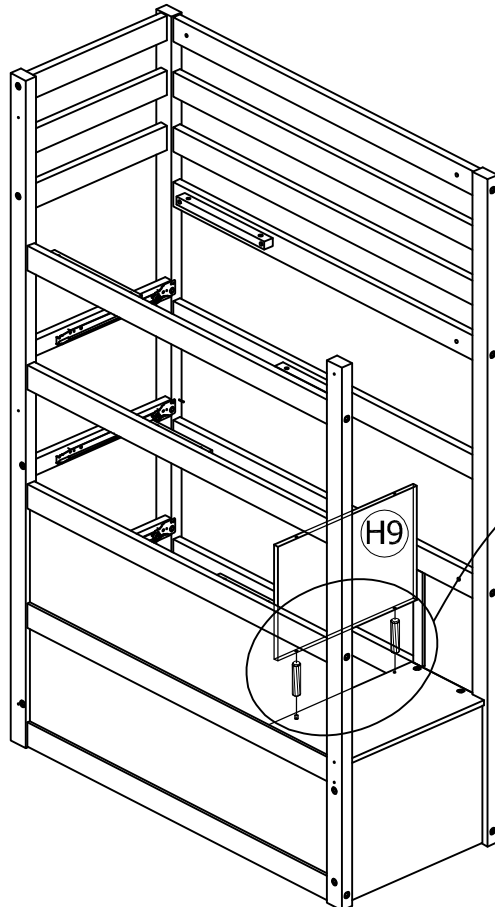
STEP30: Following below illustration.



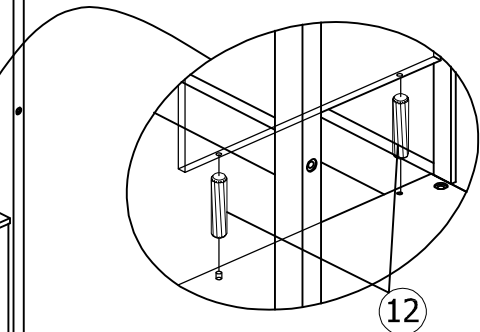
12	6
2(pcs)	4(pcs)



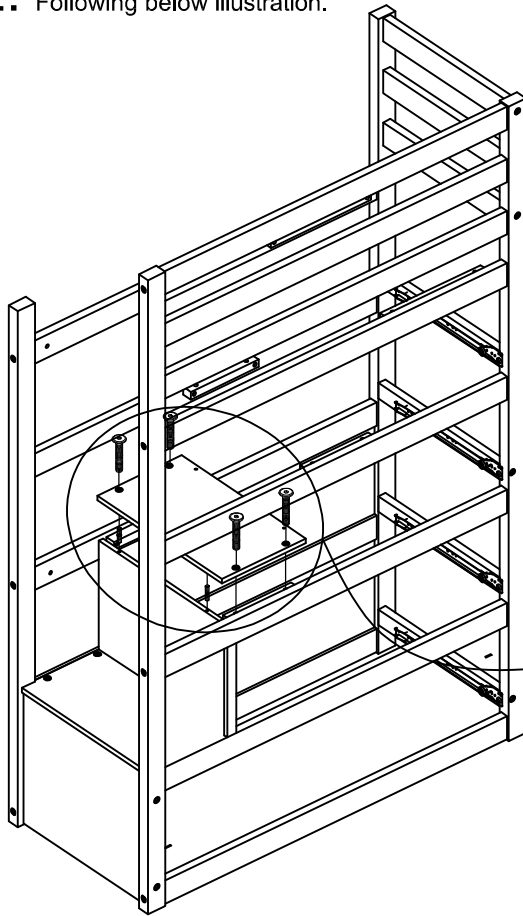
STEP31: Following below illustration.

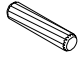
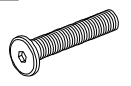


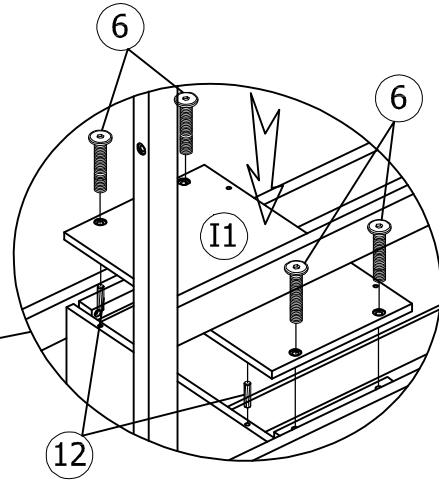
12
2(pcs)



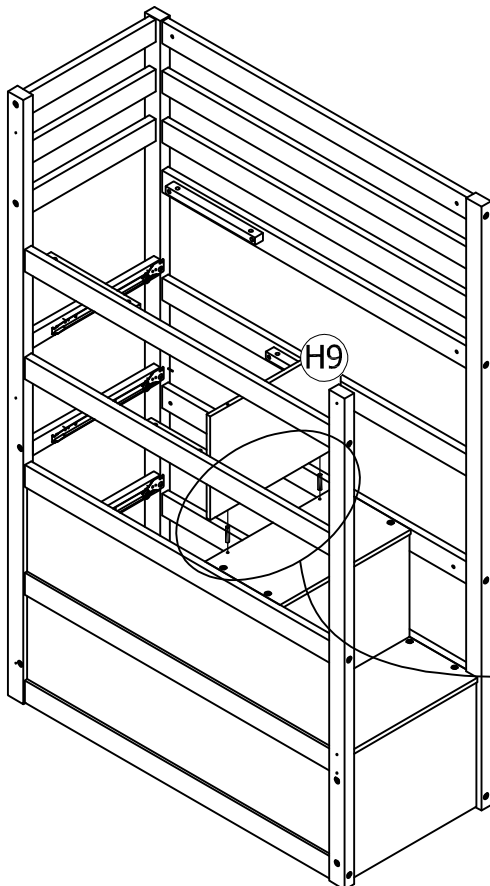
STEP32: Following below illustration.

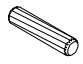


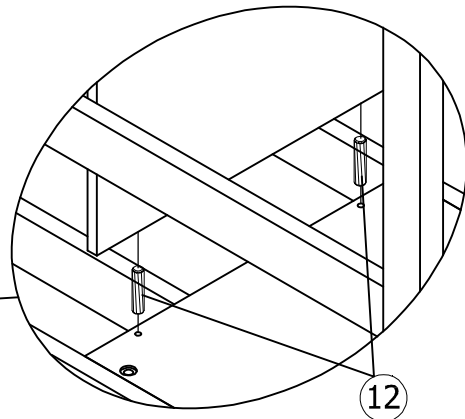
12	6
	
2(pcs)	4(pcs)



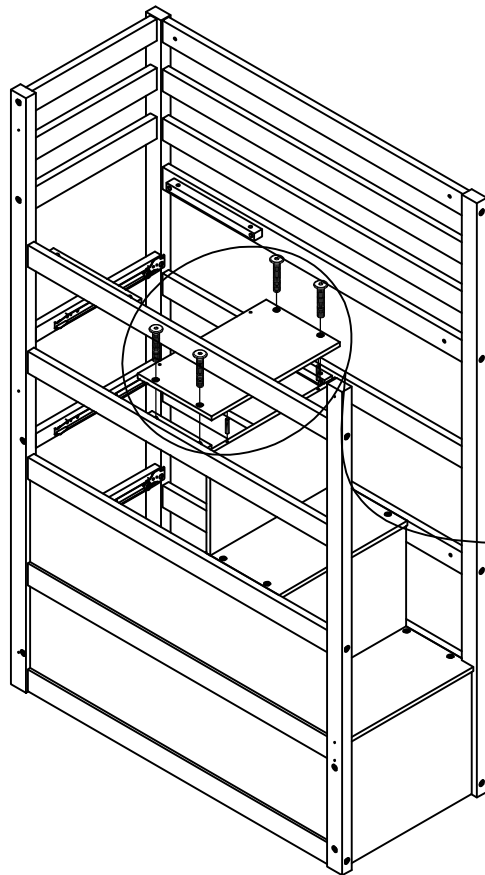
STEP33: Following below illustration.

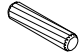
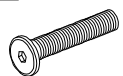


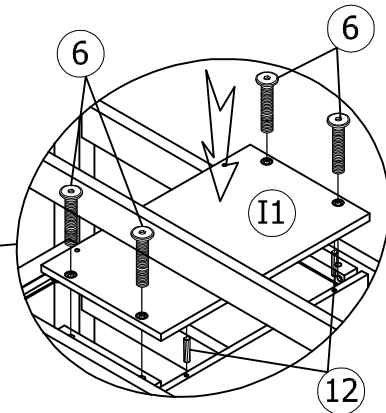
12

2(pcs)



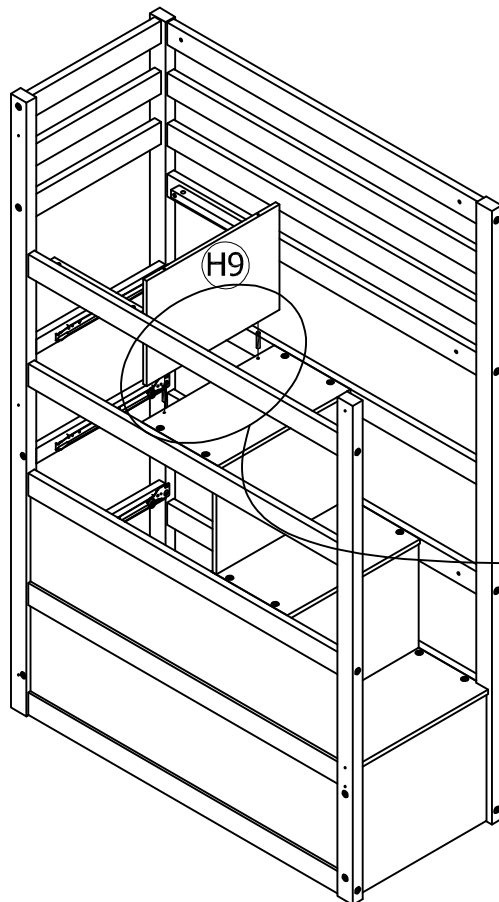
STEP34: Following below illustration.

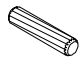


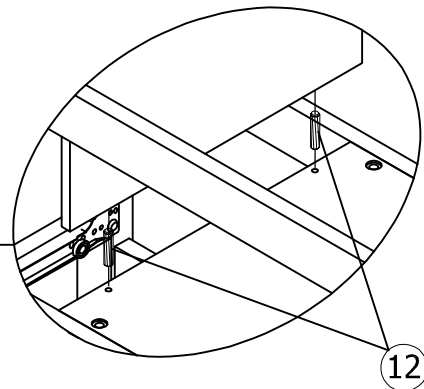
12	6
	
2(pcs)	4(pcs)



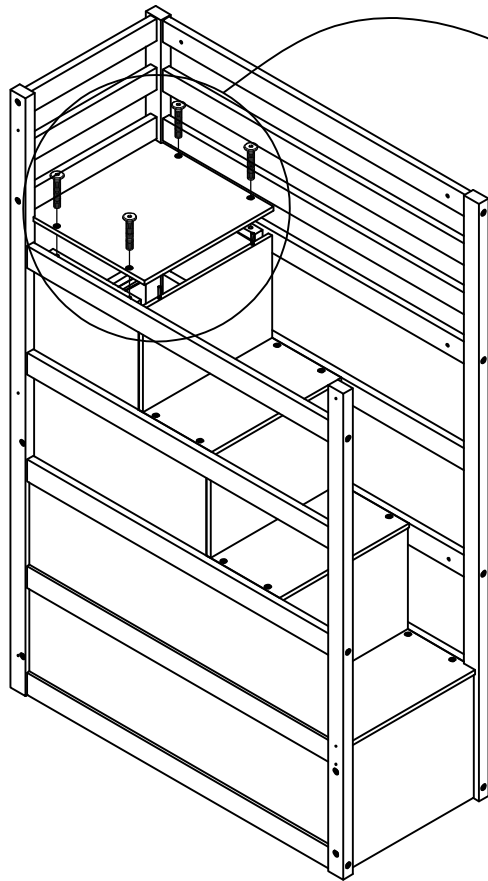
STEP35: Following below illustration.

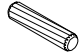
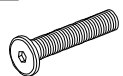


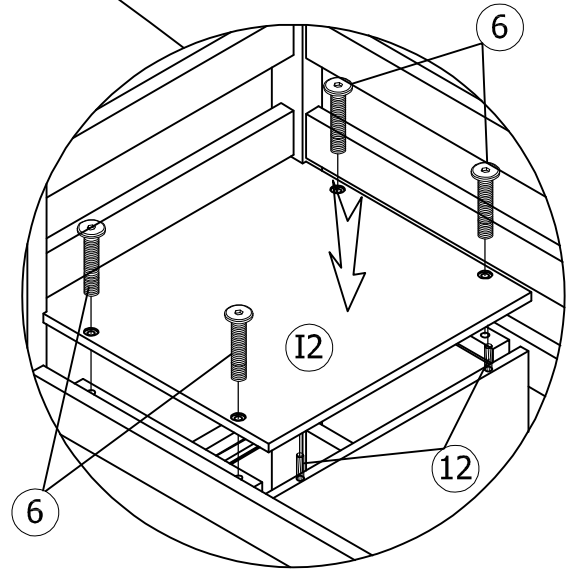
12

2(pcs)



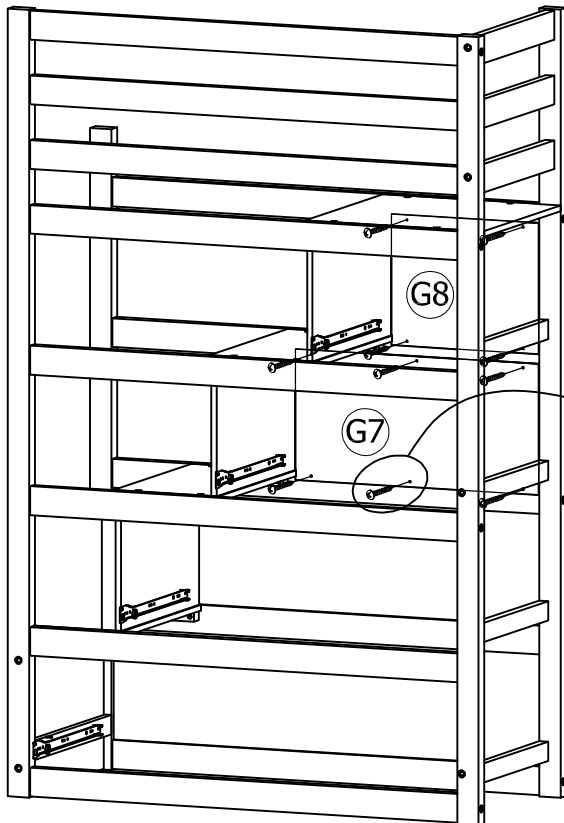
STEP36: Following below illustration.

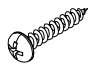


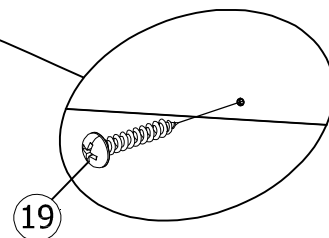
12	6
	
2(pcs)	4(pcs)



STEP37: Following below illustration.

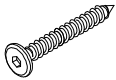


19

10(pcs)

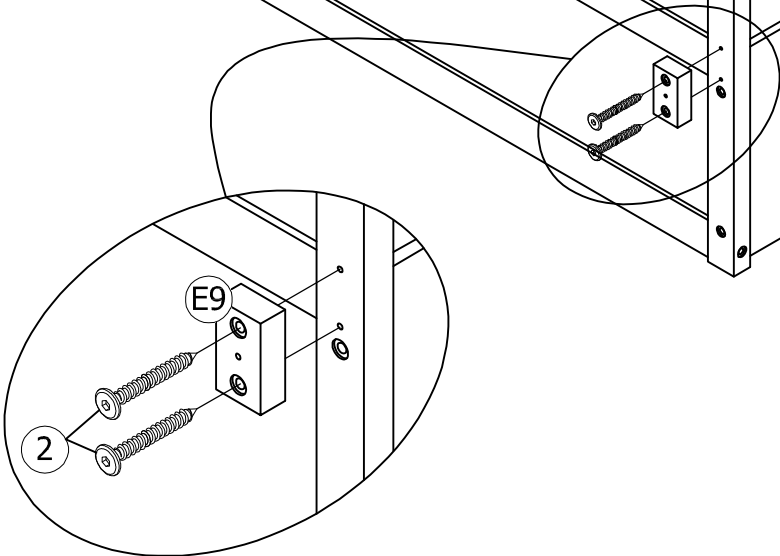
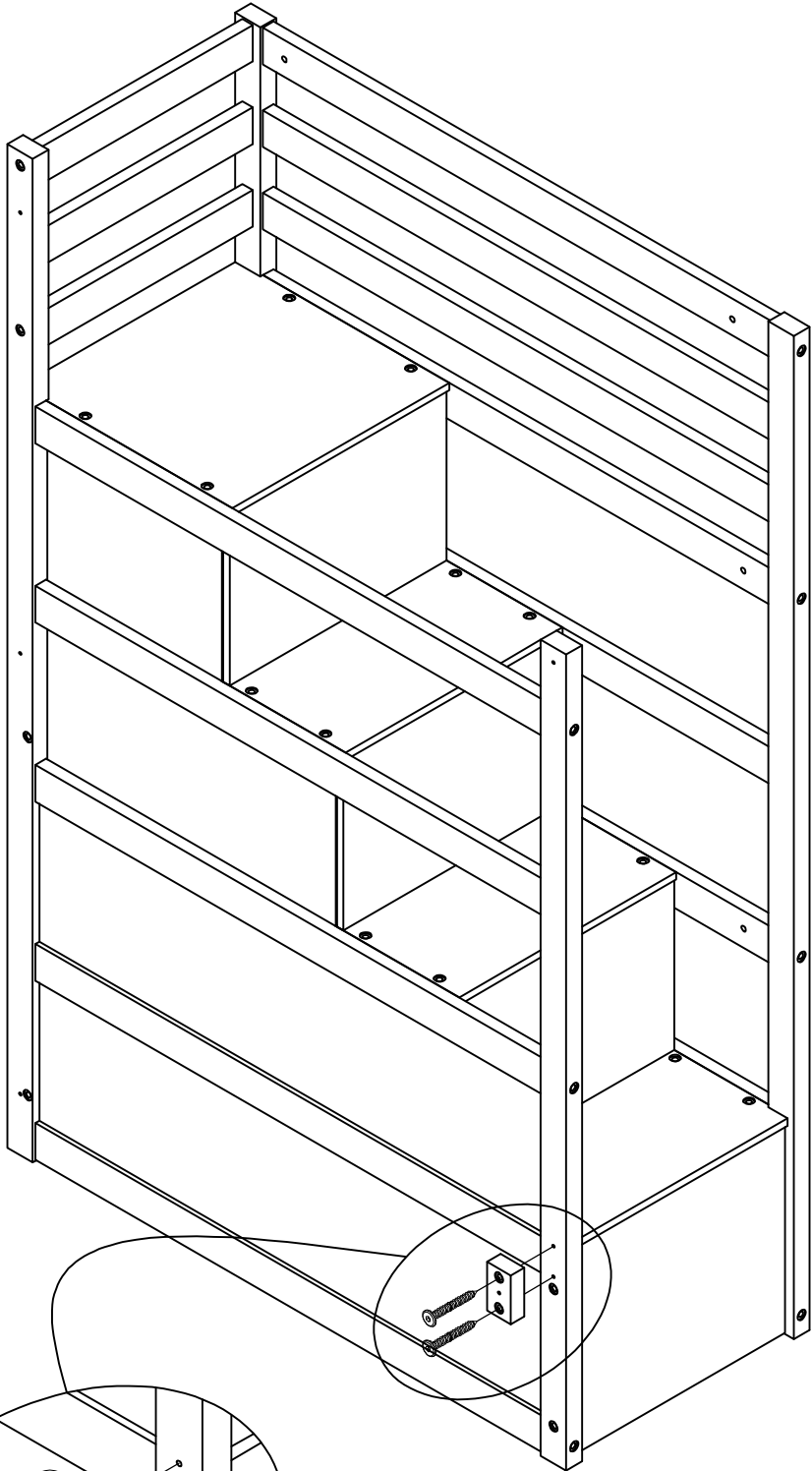


STEP38: Following below illustration.

2



2(pcs)

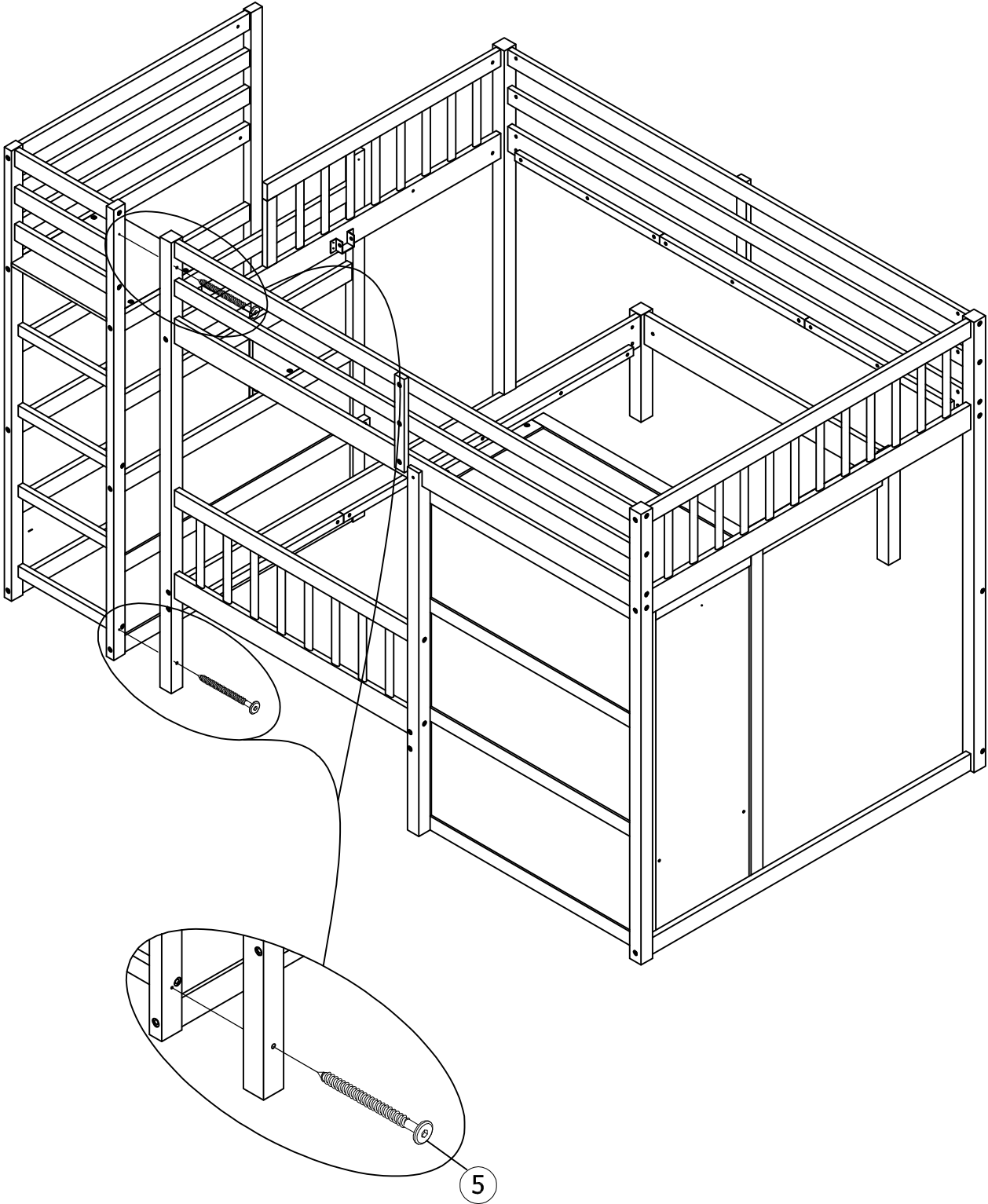


STEP39: Following below illustration.

5

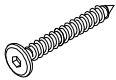


2(pcs)

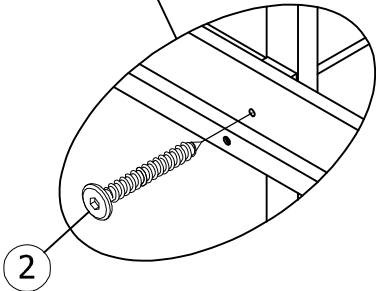
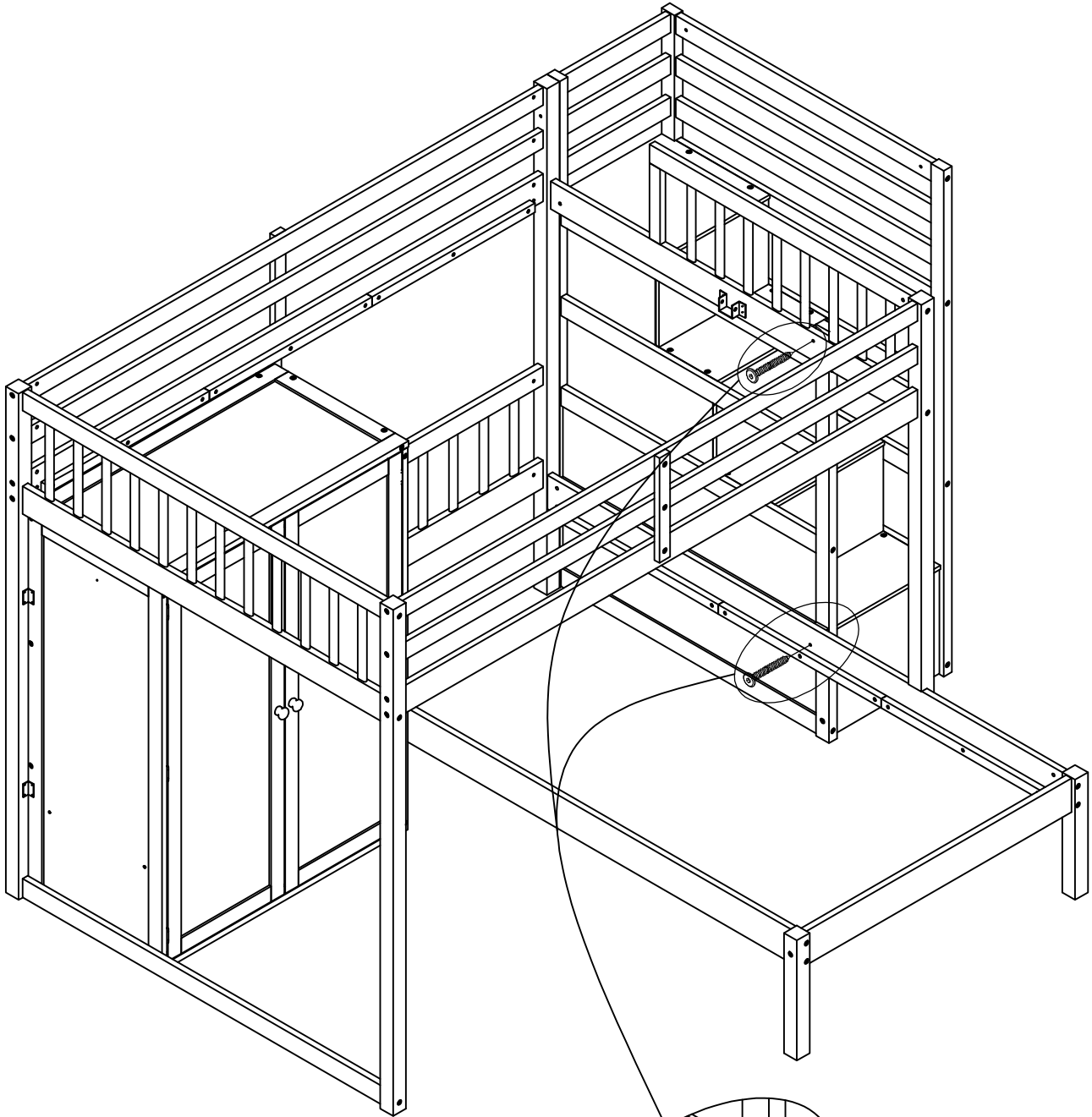


STEP40: Following below illustration.

2



2(pcs)

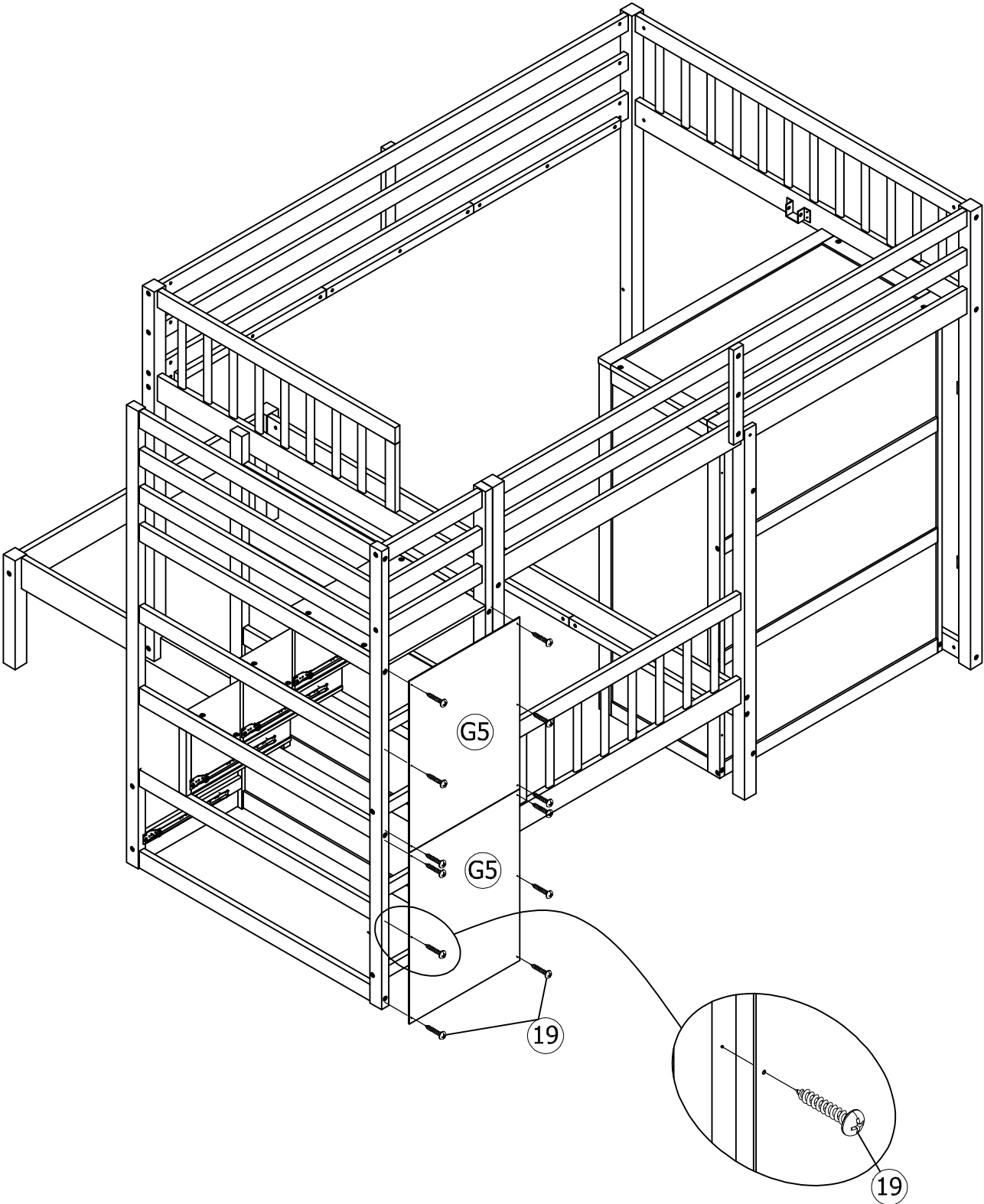


STEP41: Following below illustration.

19

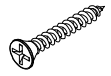


12(pcs)

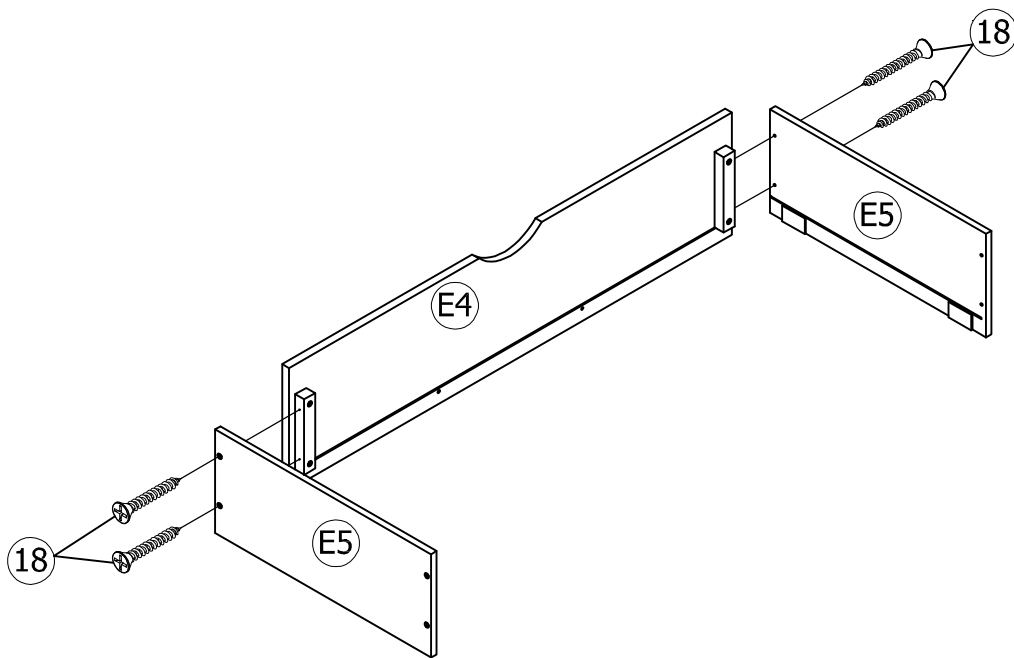


STEP42: Following below illustration.

18



4(pcs)

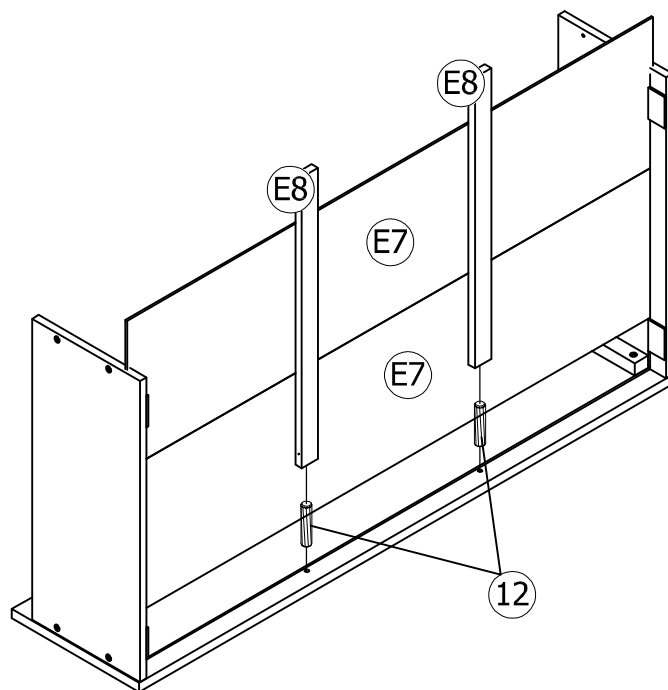


STEP43: Following below illustration.

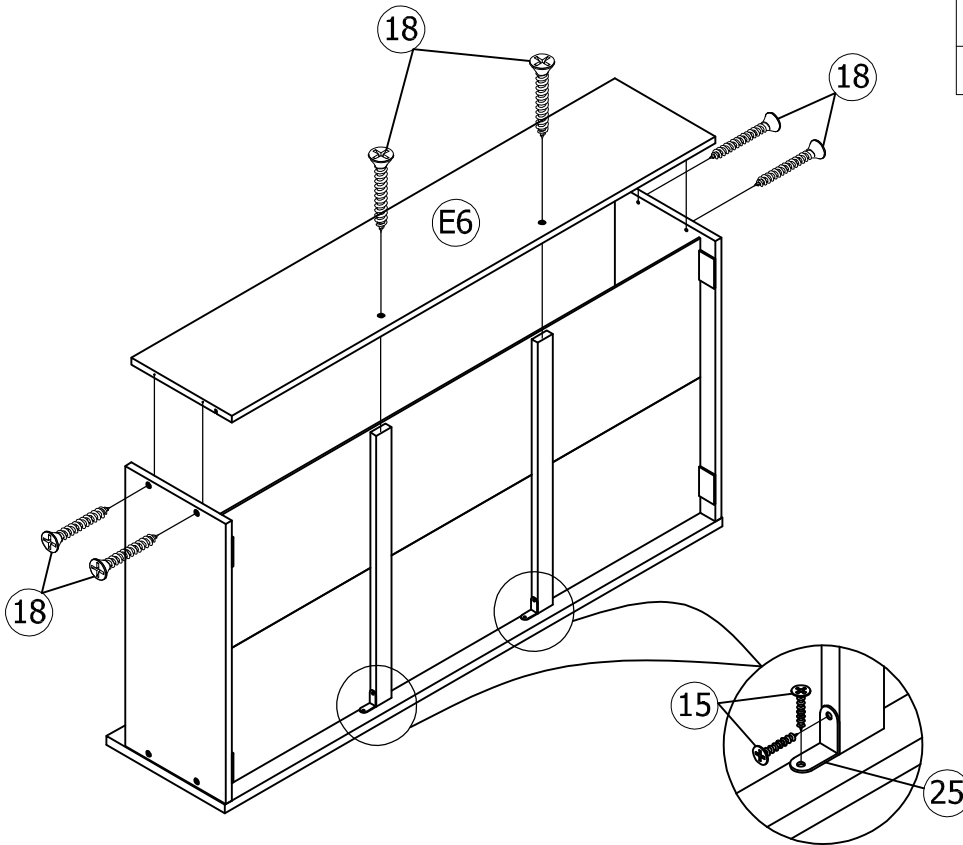
12



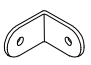


2(pcs)

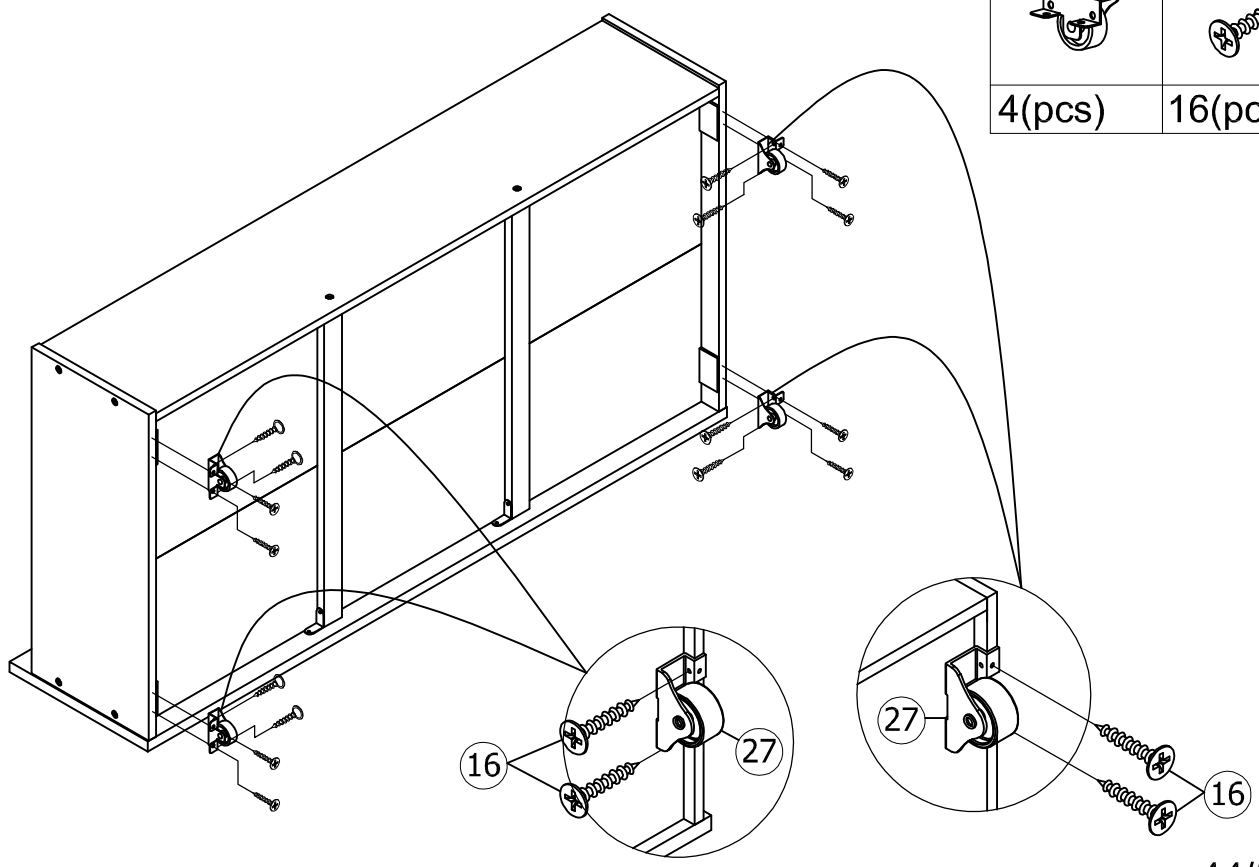




STEP44: Following below illustration.



18	15
	
6(pcs)	4(pcs)
	25
	
	2(pcs)

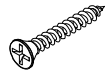
STEP45: Following below illustration.



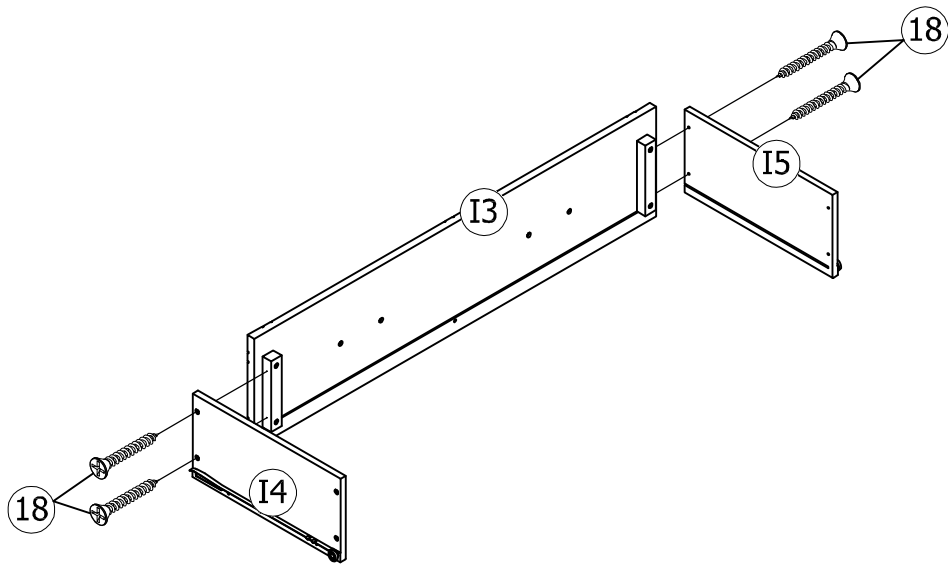
27	16
	
4(pcs)	16(pcs)

STEP46: Following below illustration.

18



4(pcs)

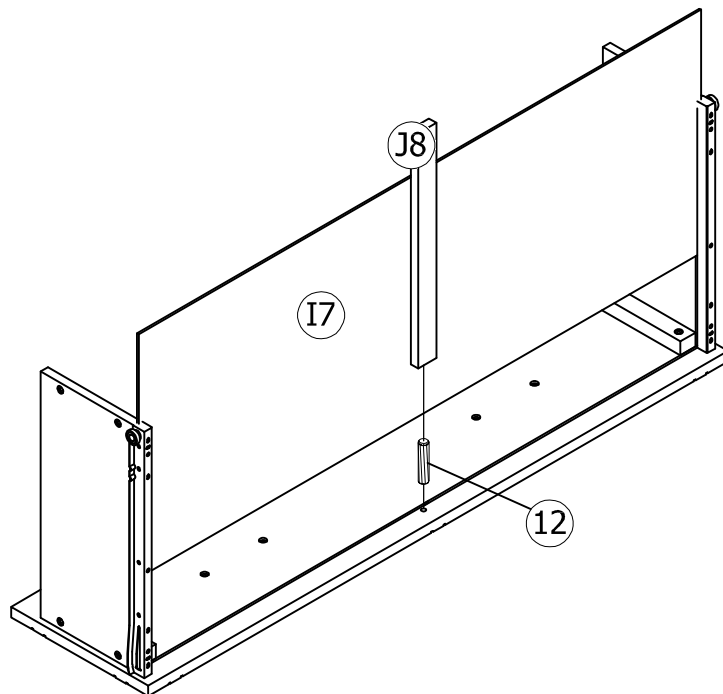


STEP47: Following below illustration.

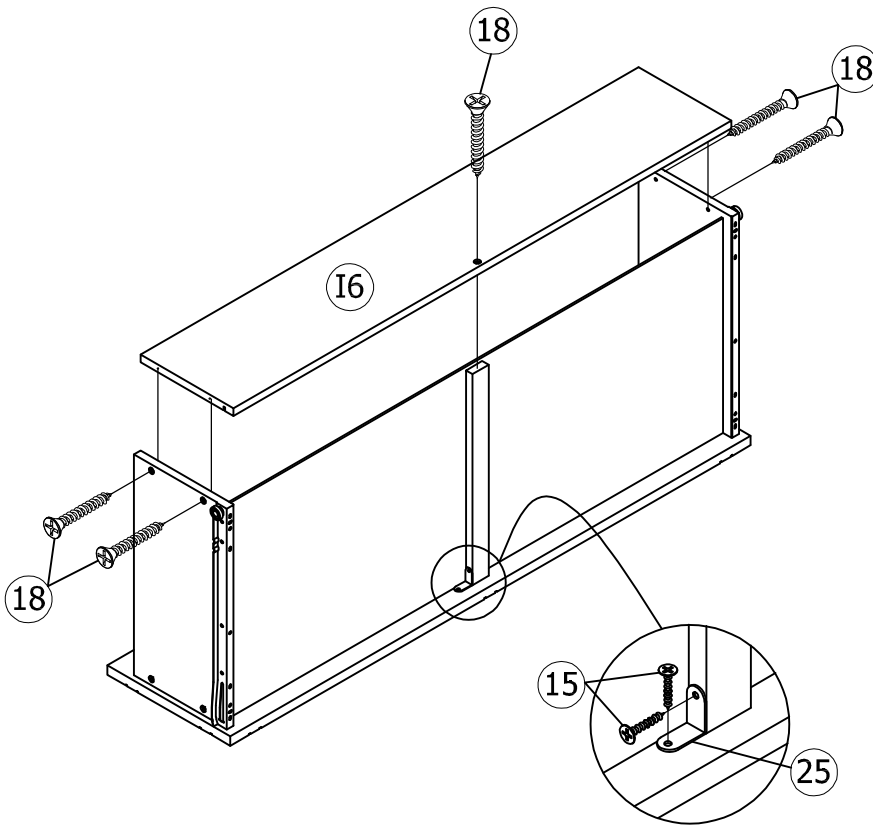
12

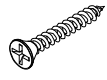
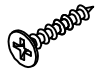
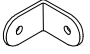


1(pc)

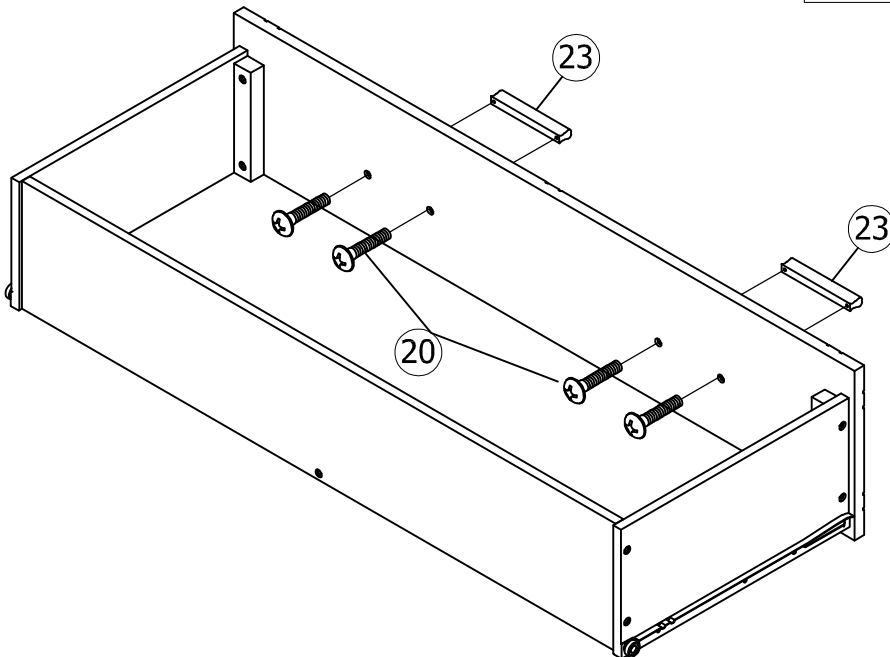


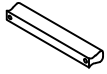
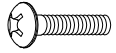
STEP48: Following below illustration.



18	15
	
5(pcs)	2(pcs)
	25
	
	1(pc)

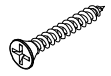
STEP49: Following below illustration.



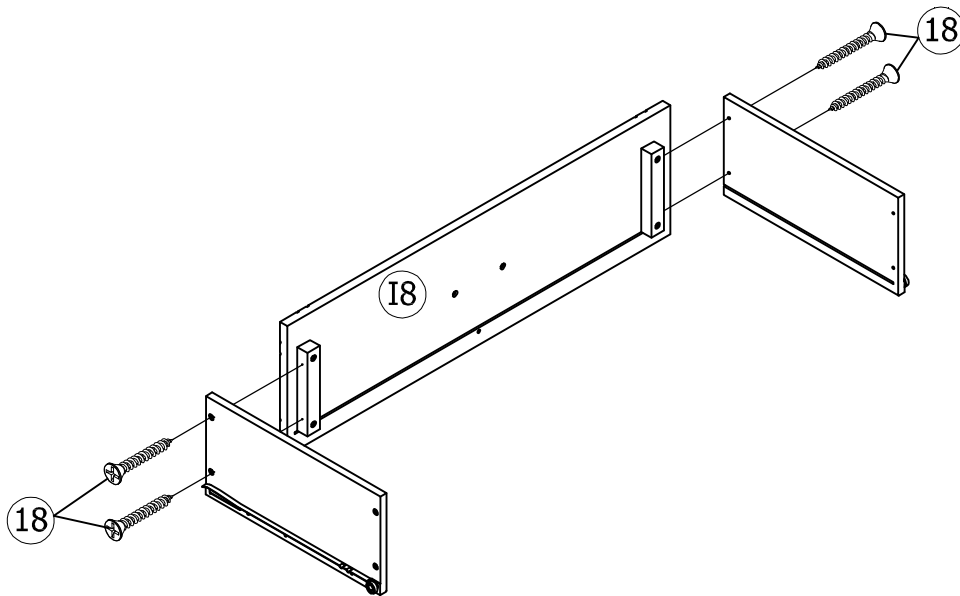
23	20
	
2(pcs)	4(pcs)

STEP50: Following below illustration.

18



4(pcs)

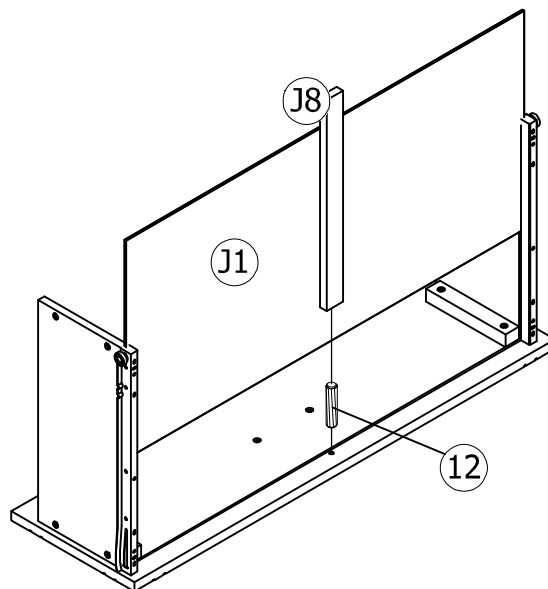


STEP51: Following below illustration.

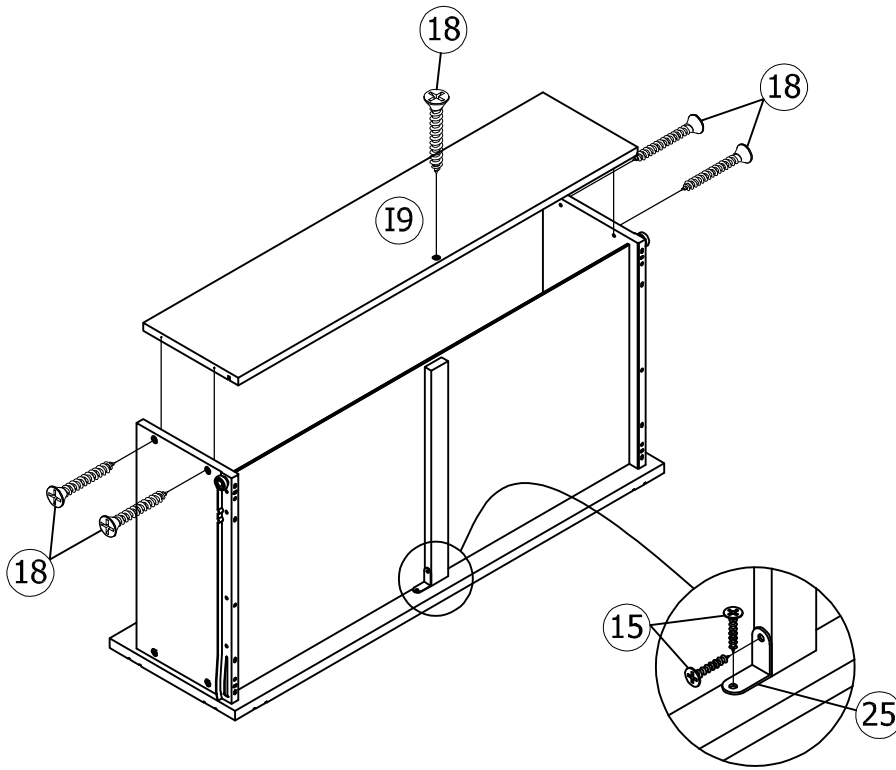
12

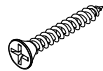

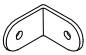


1(pc)

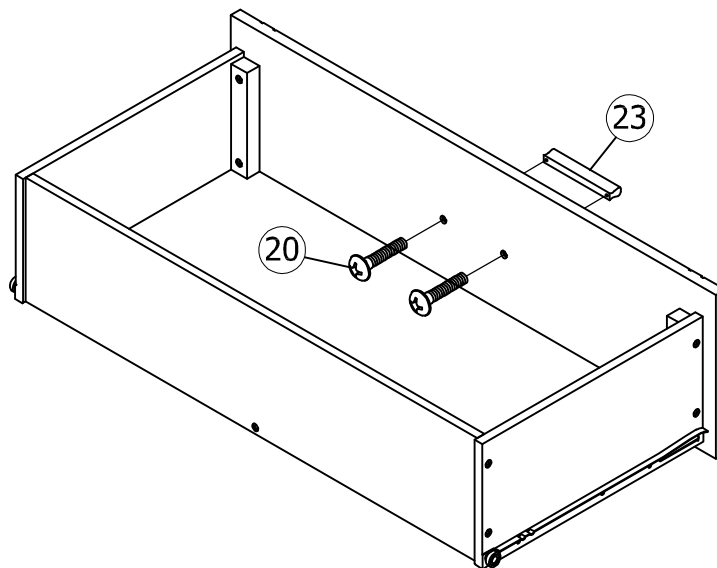


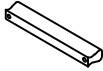
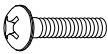
STEP52: Following below illustration.



18	15
	
5(pcs)	2(pcs)
	25
	
	1(pc)

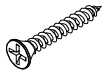
STEP53: Following below illustration.



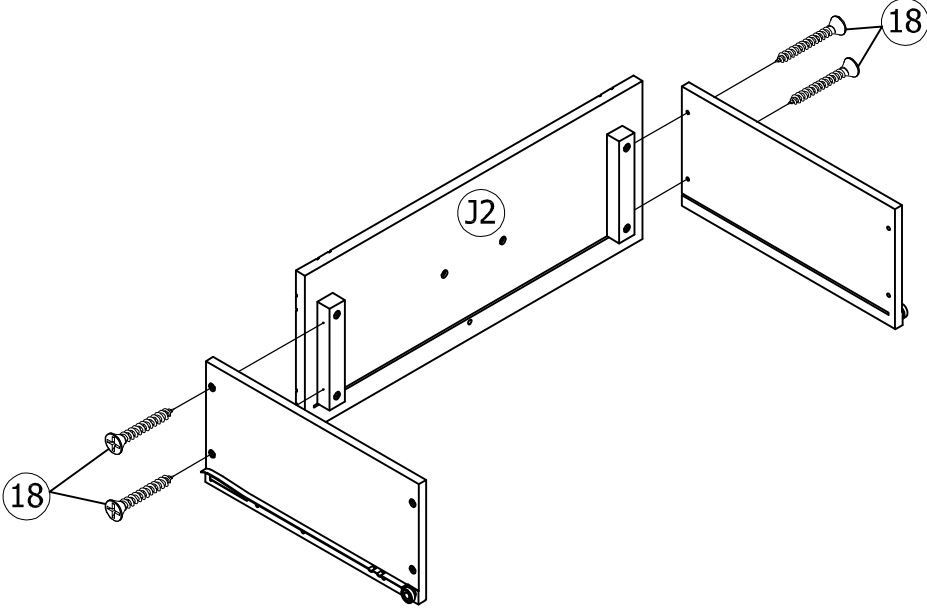
23	20
	
1(pc)	2(pcs)

STEP54: Following below illustration.

18



4(pcs)

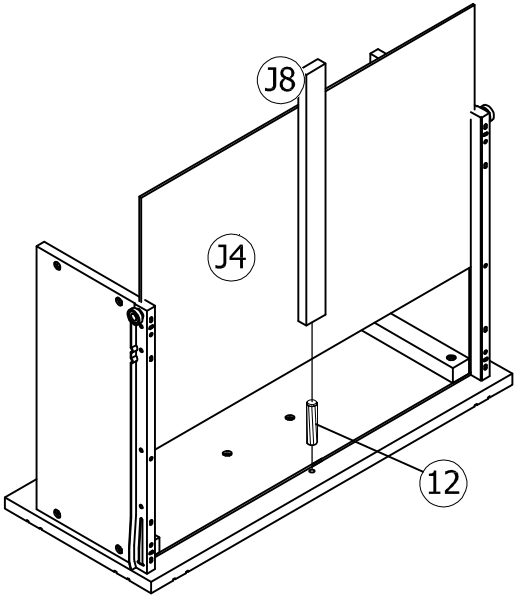


STEP55: Following below illustration.

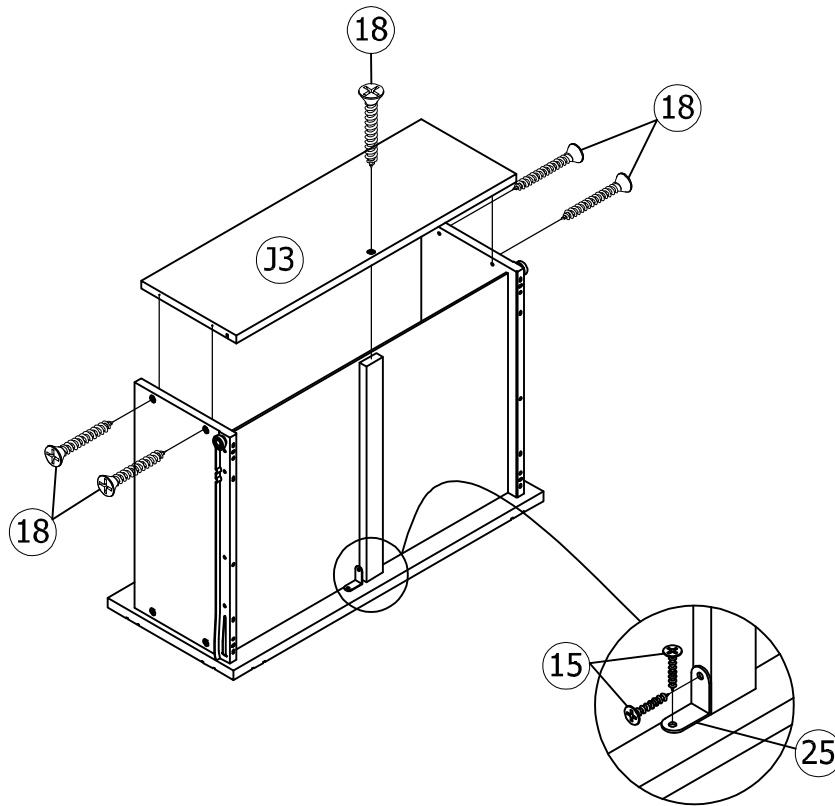
12

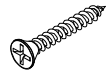

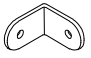


1(pc)

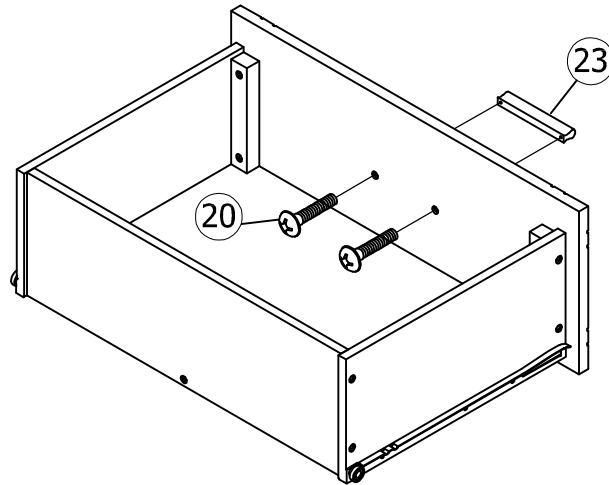


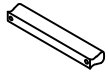
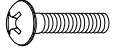
STEP56: Following below illustration.



18	15
	
5(pcs)	2(pcs)
	25
	
	1(pc)

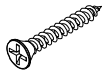
STEP57: Following below illustration.



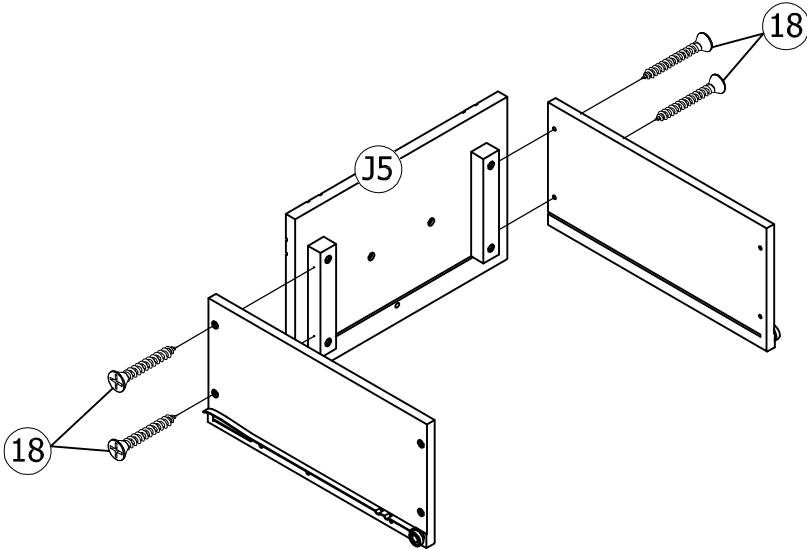
23	20
	
1(pc)	2(pcs)

STEP58: Following below illustration.

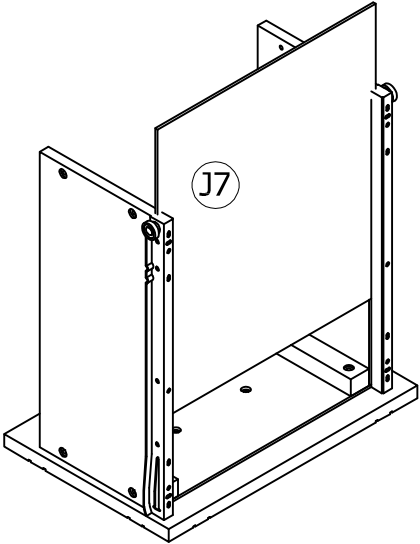
18



4(pcs)

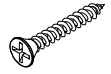


STEP59: Following below illustration.

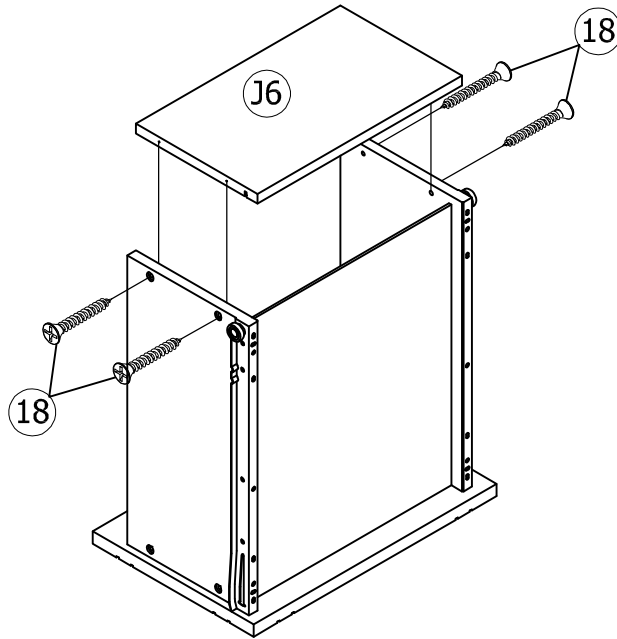


STEP60: Following below illustration.

18

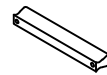


4(pcs)



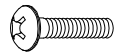
STEP61: Following below illustration.

23

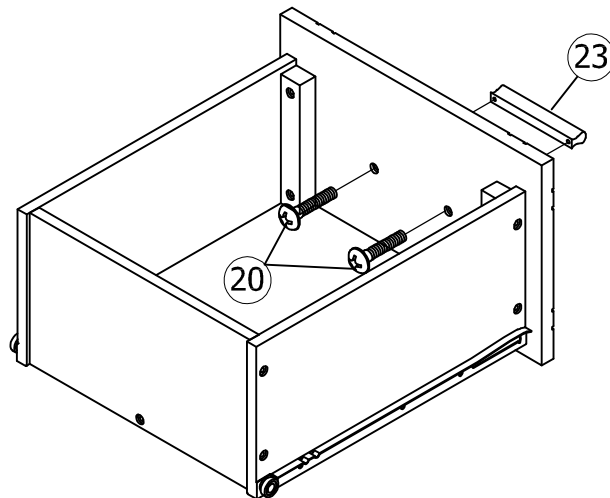


1(pc)


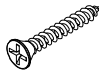
20

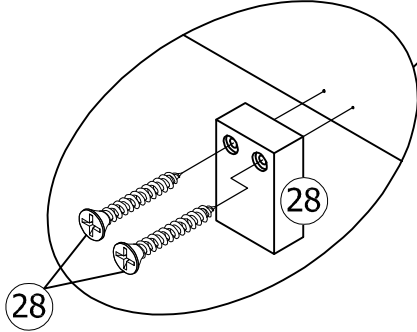
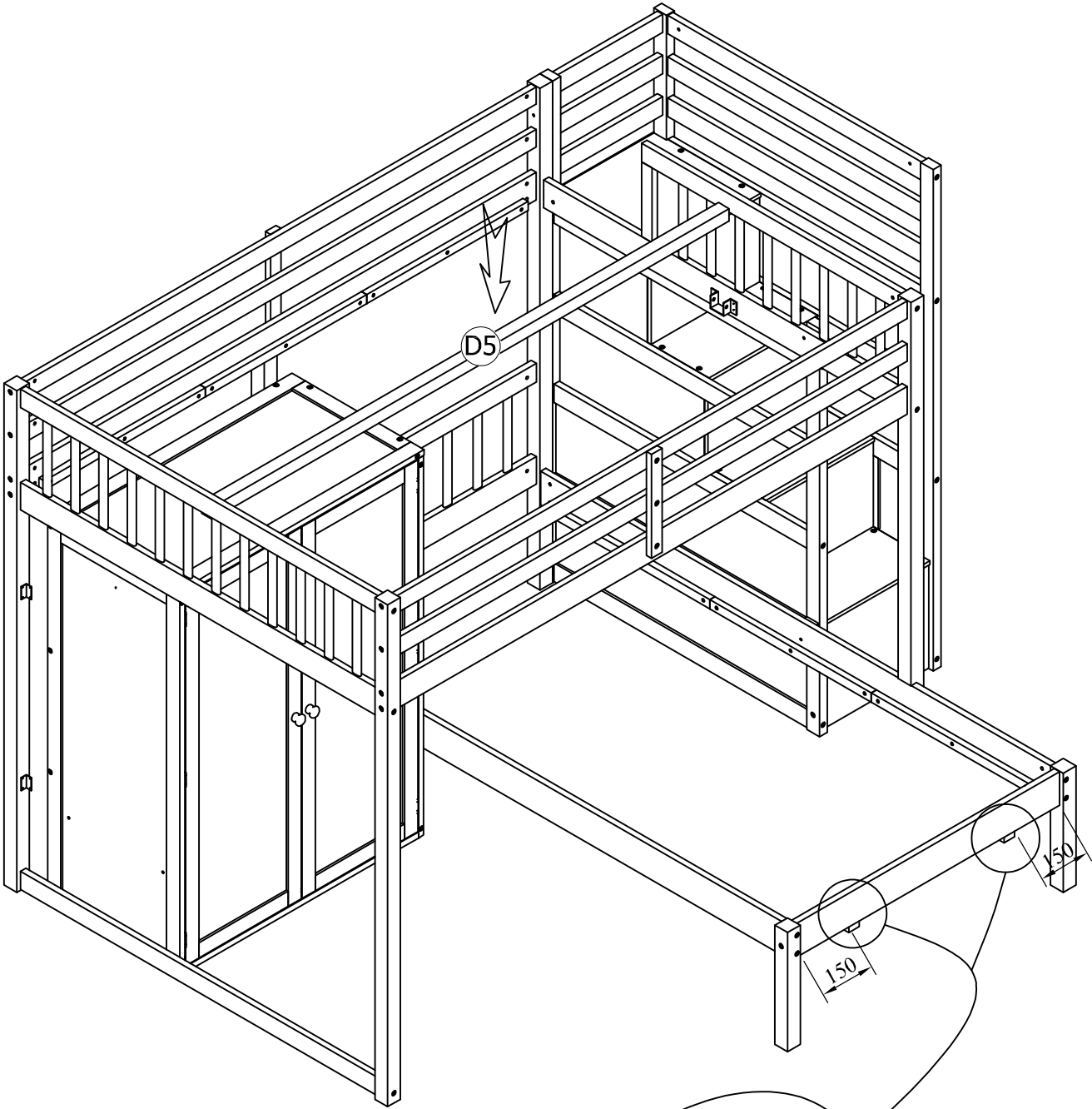


2(pcs)



STEP62: Following below illustration.

28	18
	
2(pcs)	4(pcs)

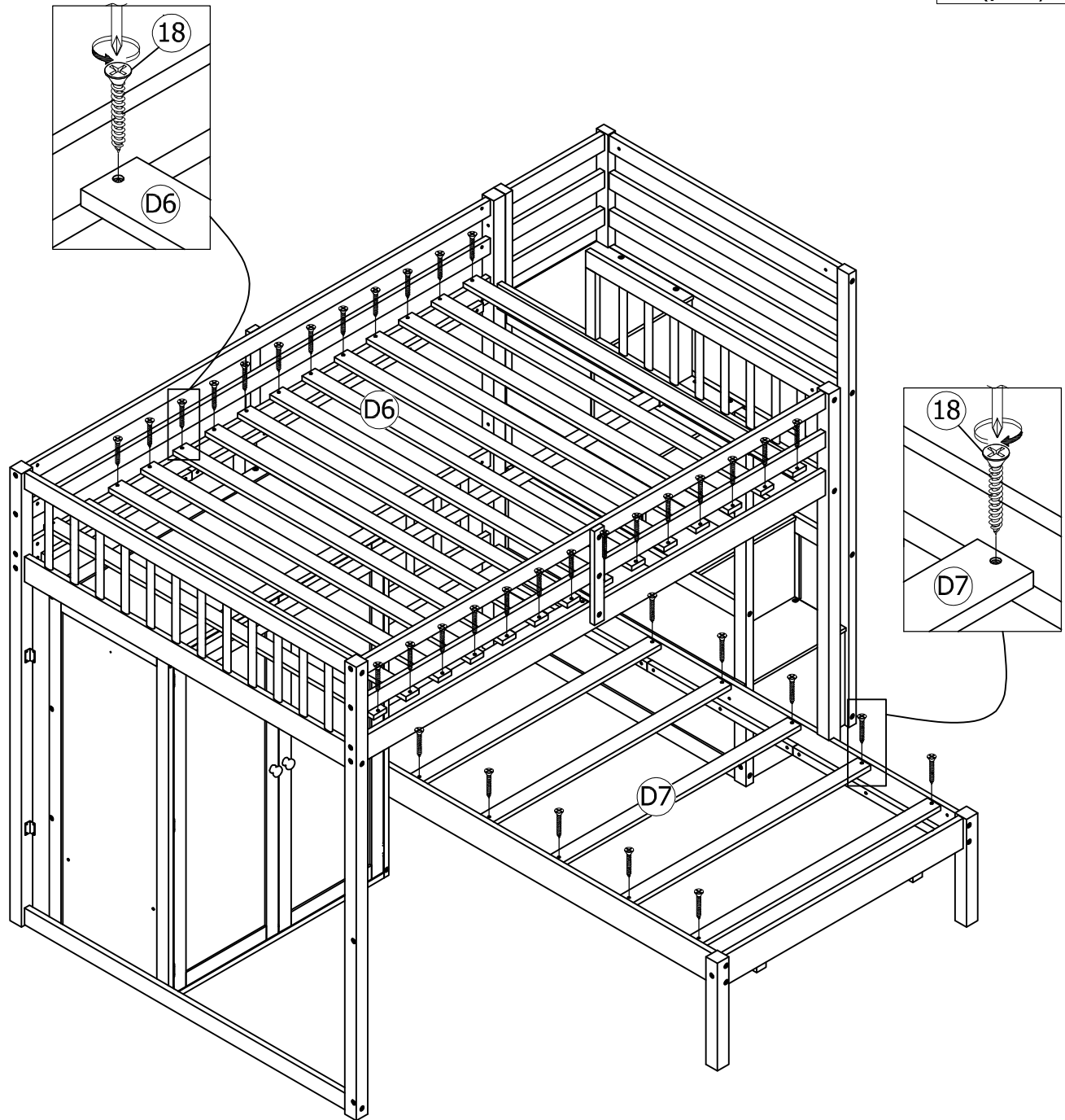


STEP63: Following below illustration.

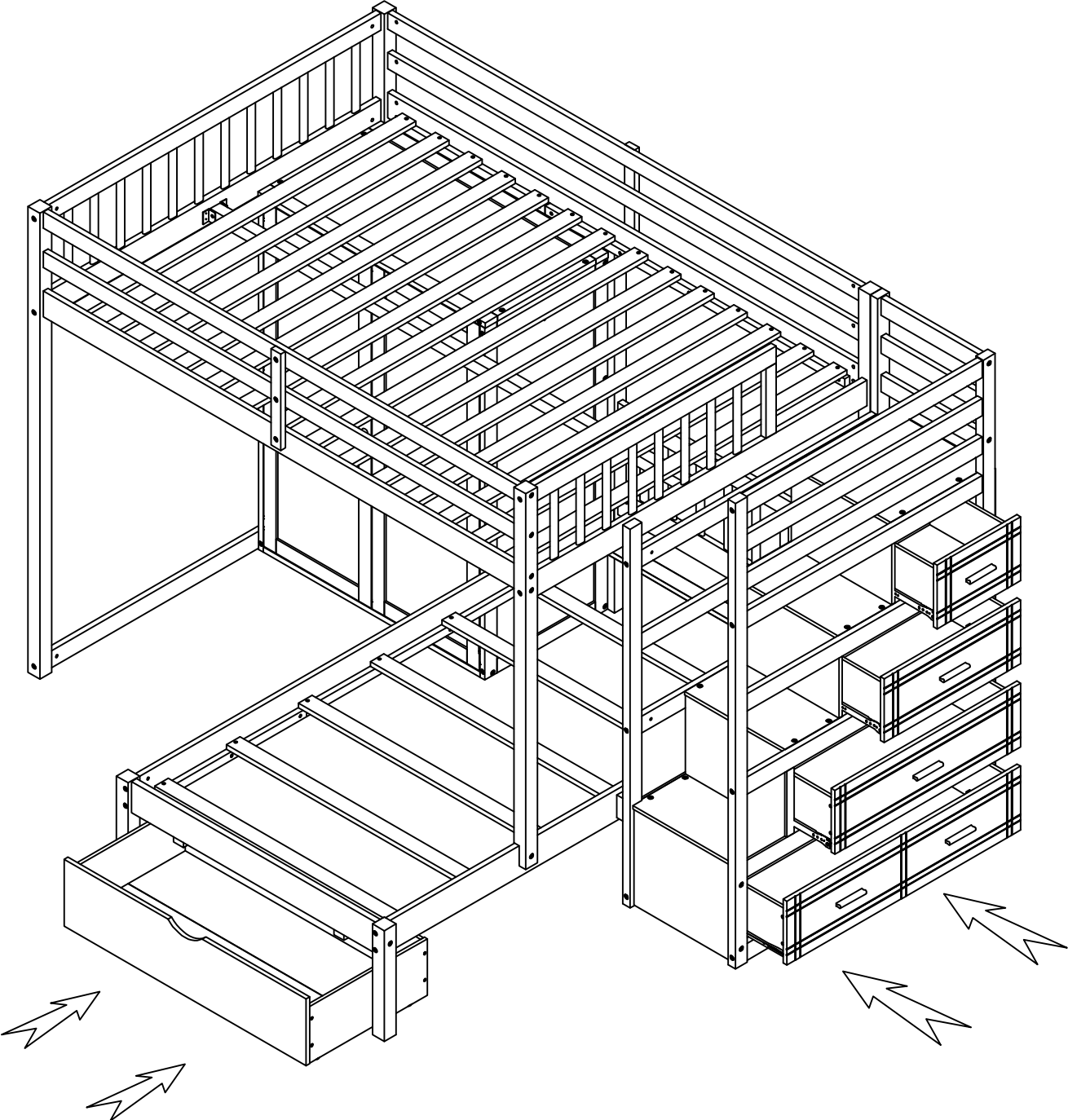
18



42(pcs)



STEP64: Following below illustration.



FINISH:

