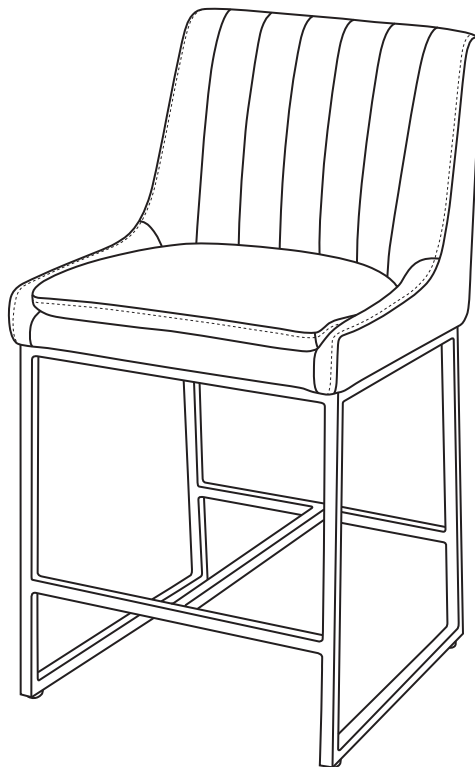


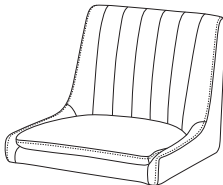
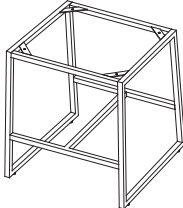
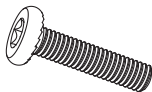
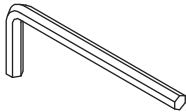
## KF.Y2167 Assembly Manual

Counter / Bar Height Stool



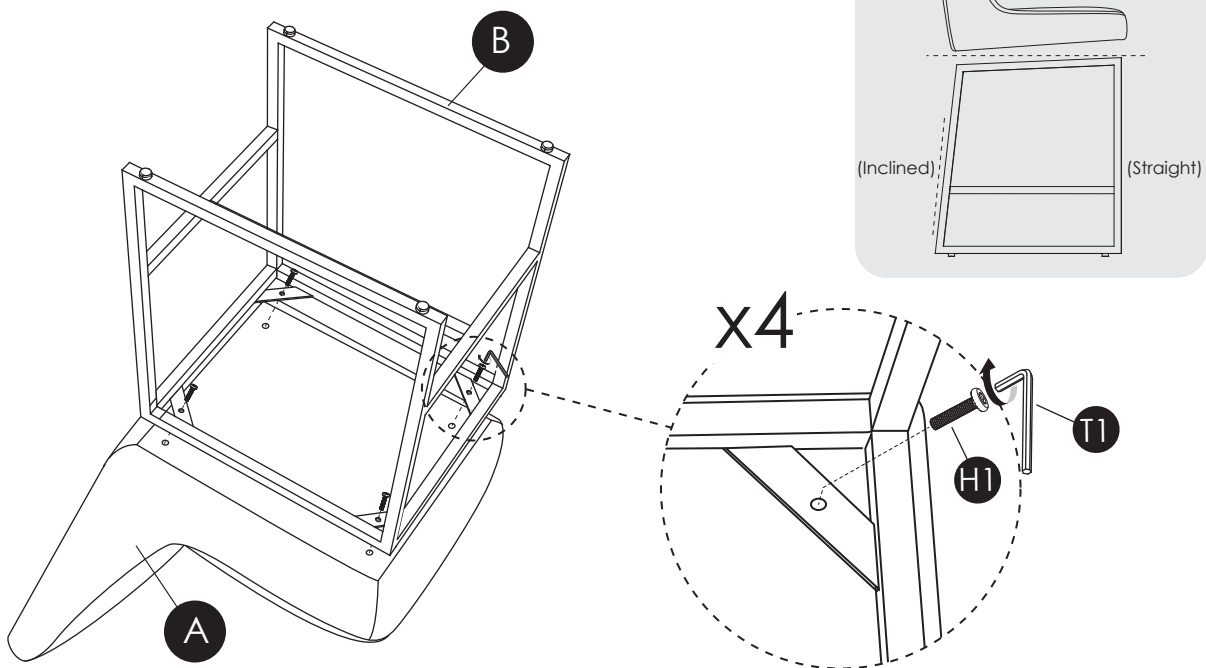
### CAUTION

THIS ASSEMBLY MANUAL CONTAINS IMPORTANT SAFETY INFORMATION.  
PLEASE READ AND KEEP FOR FUTURE REFERENCE.

<p><b>Ax1</b></p> 	<p><b>Bx1</b></p> 	<p><b>H1x4</b></p> 	<p><b>T1x1</b></p> 
---	---	---	--

### ASSEMBLY INSTRUCTIONS

- 1 Flip over the stool seat bucket.
- 2 Place the metal base on the stool seat bucket bottom and insert Bolts (H1) into each corner and fully tighten.



- 3 Assembly complete. Enjoy.

**Note:** Adjust the balance of the stool with foot levelers if needed.

