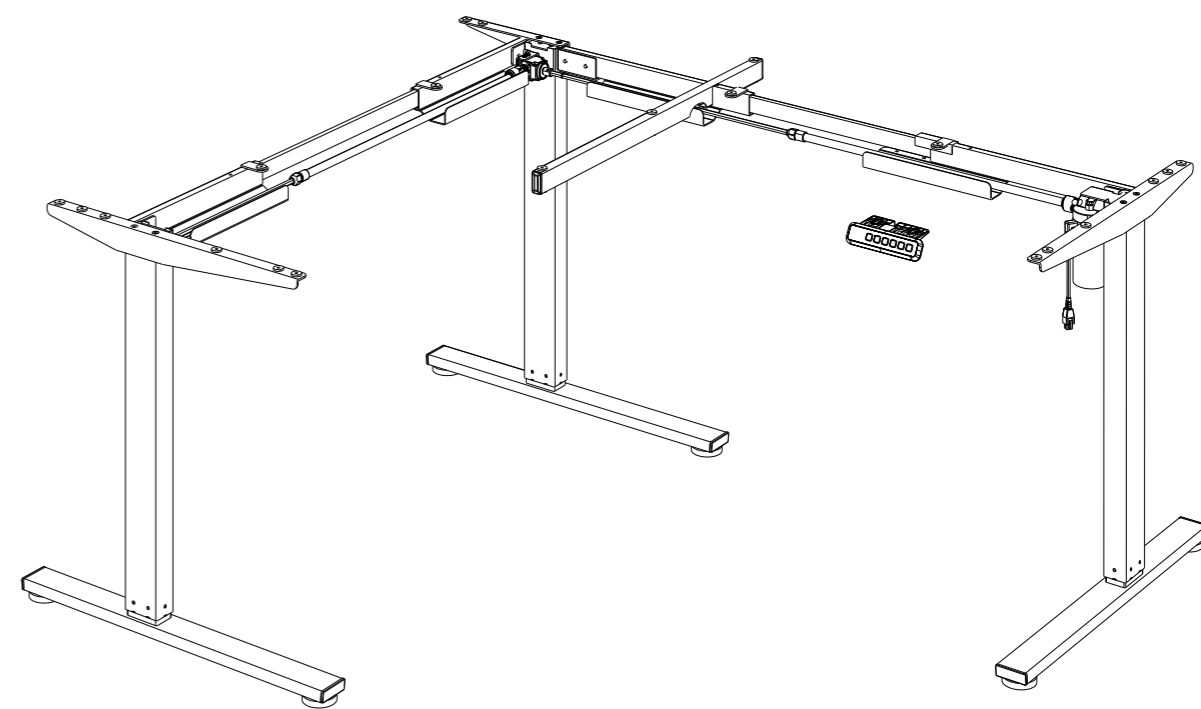


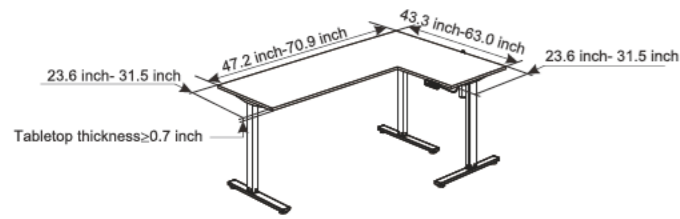
User Manual



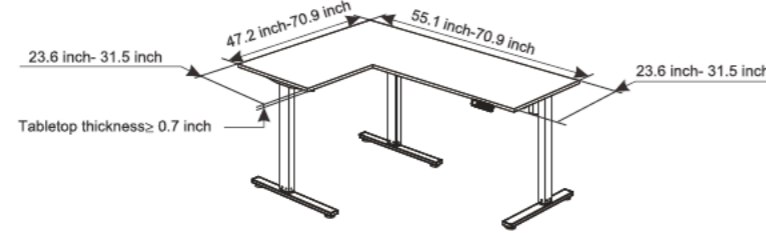
Specifications

Lifting Columns	3
Max. Load Capacity	220 lbs (100 KG)
Max Speed	0.79"/s (20 mm/s)
Maximum height	45.8" (1165 mm)
Lowest height	28.3" (720 mm)

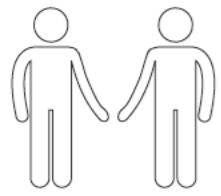
Option A



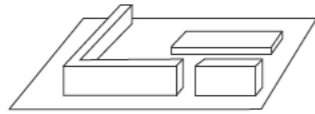
Option B



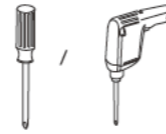
Assembly Notes



Cooperative assembly



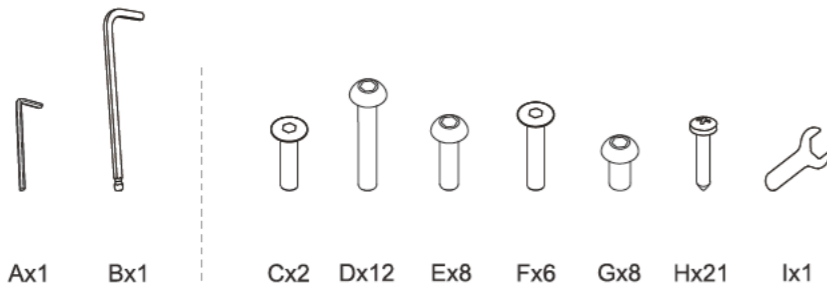
Assemble on carpet to prevent scratches



Phillips screwdriver or drill required (not provided)

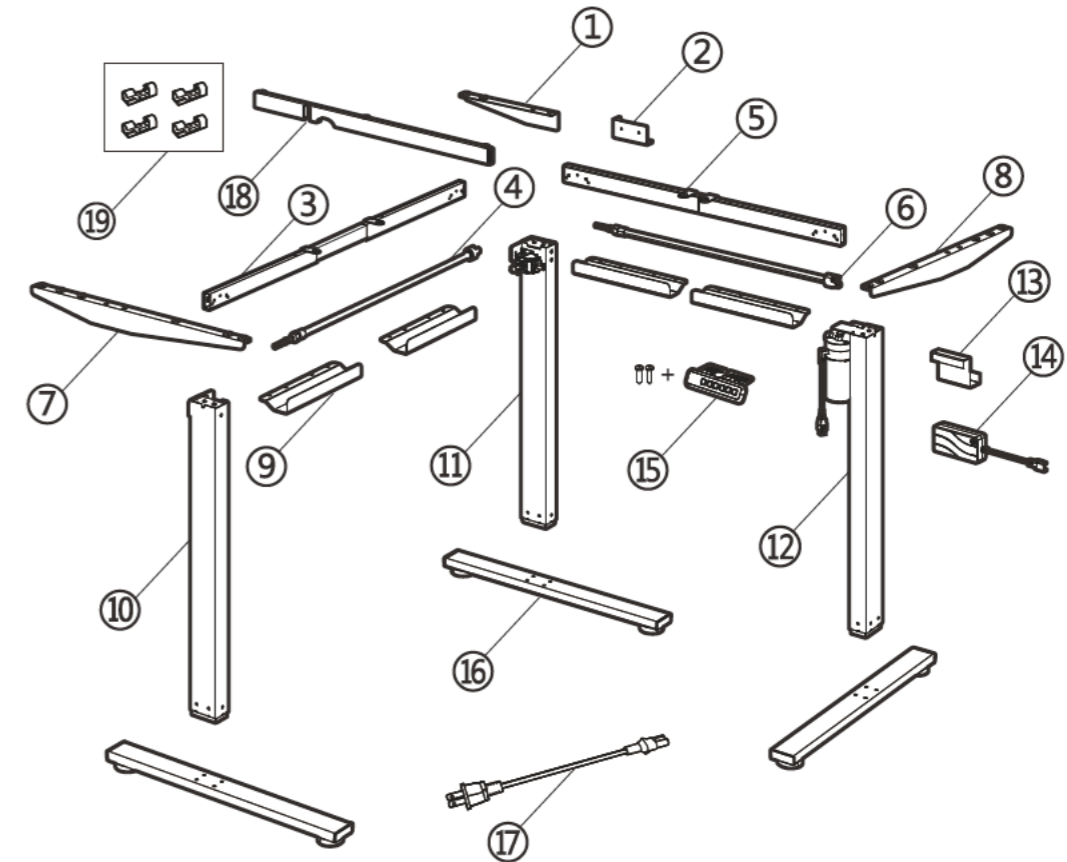
Product List

Note: The following line drawings are for reference only and in some cases may be different from the actual part; please refer to the actual part. If you find missing parts or have installation problems, please contact customer service.

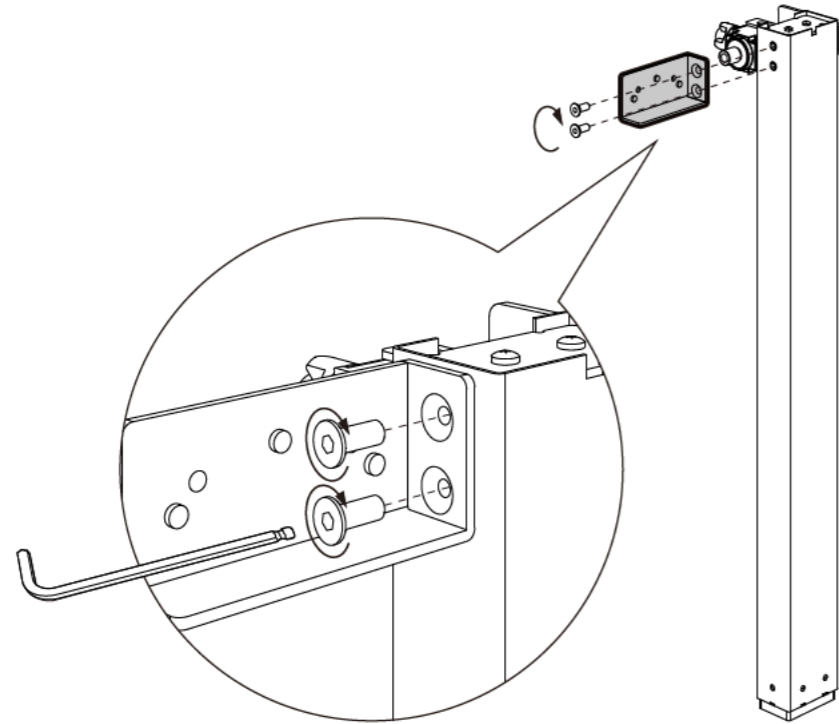
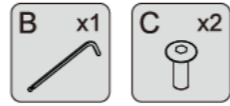


Parts Included

①	Short support plate x 1		⑪	Middle column x 1	
②	Middle column connecting joining plate x 1		⑫	Right column x 1	
③	Long crossbeam x 1		⑬	Adaptor holder x 1	
④	Long drive rod x 1		⑭	Adaptor x 1	
⑤	Short crossbeam x 1		⑮	Controller x 1	
⑥	Short drive rod x 1		⑯	Deskfeet x 3	
⑦	Long support plate x 1		⑰	Power cord x 1	
⑧	Right support plate x 1		⑱	Support tube x 1	
⑨	Baffle x 4				
⑩	Left column x 1				

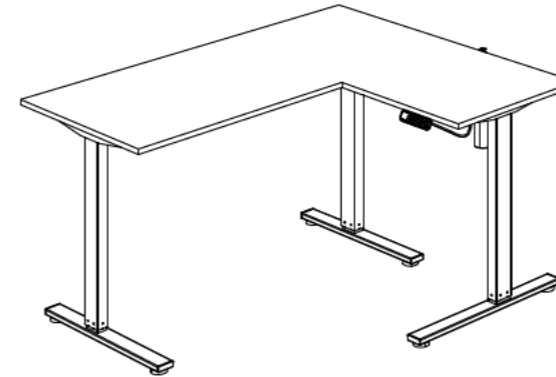


01 Install middle column connecting joining plate

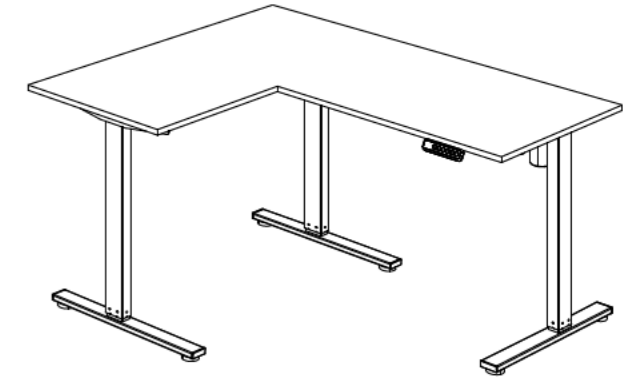


This product varies in assembly steps depending on the assembly method. Steps 3 and beyond will differ accordingly. For **Option A**, refer to steps **A-3** through **A-15**; for **Option B**, refer to steps **B-3** through **B-15**, reflecting the different assembly outcomes.

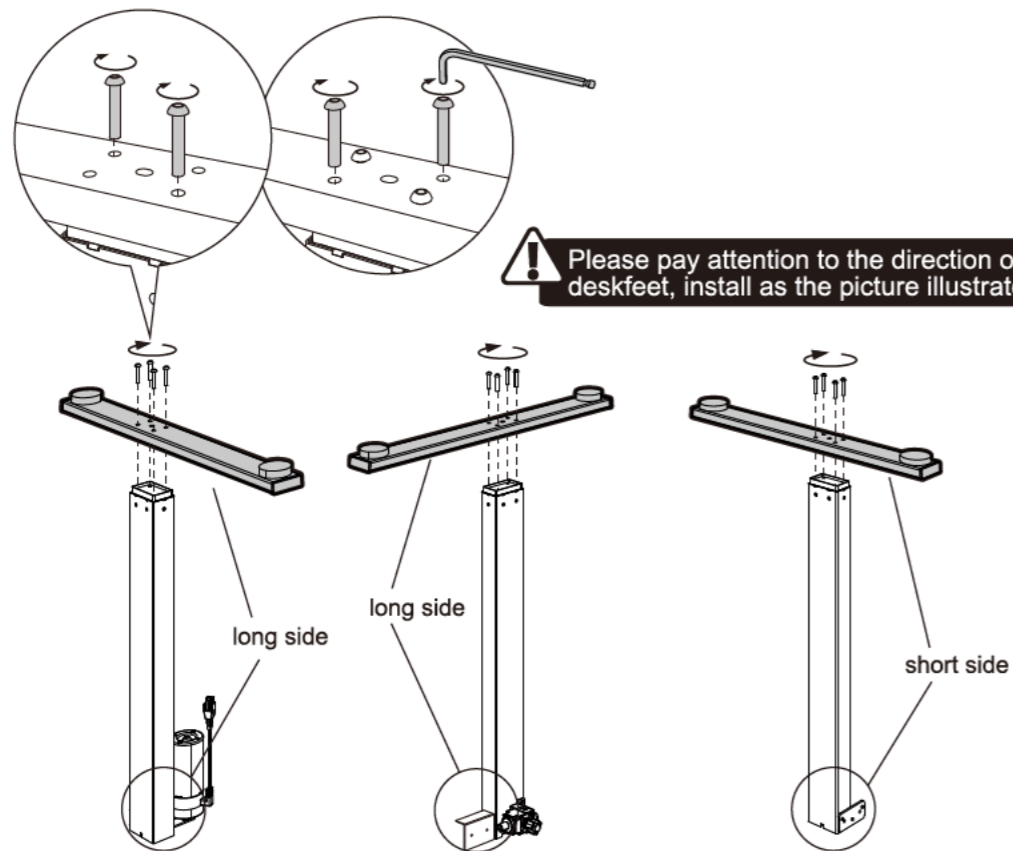
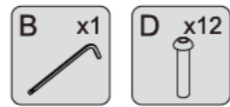
Option A:
Pages P2-P4



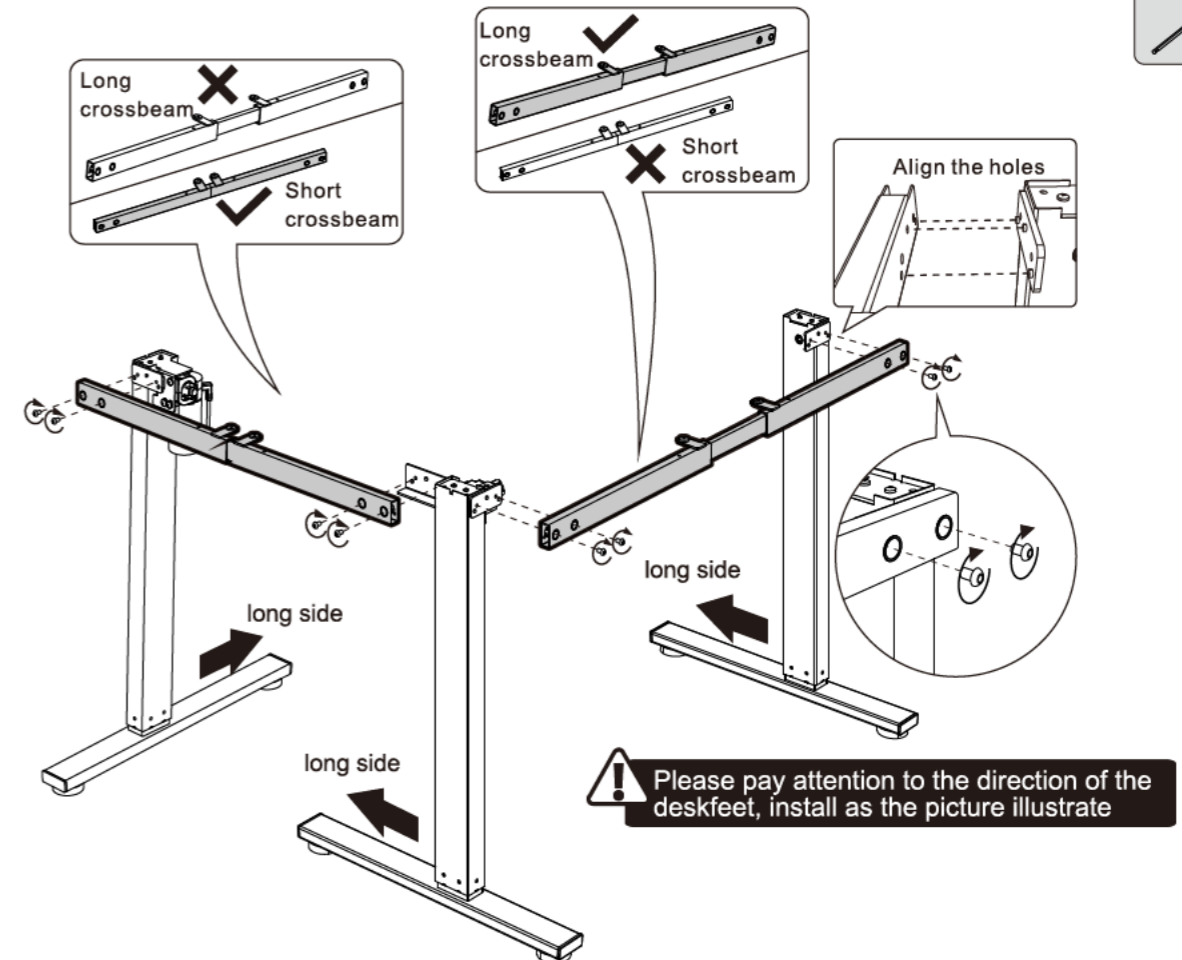
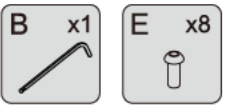
Option B:
Pages P4-P6



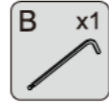
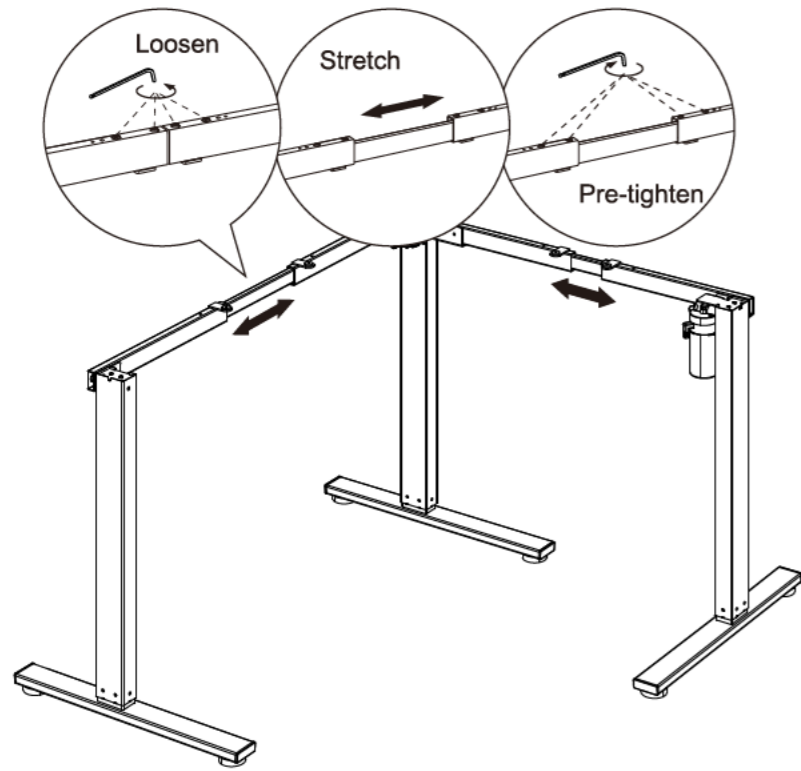
02 Install the desk feet



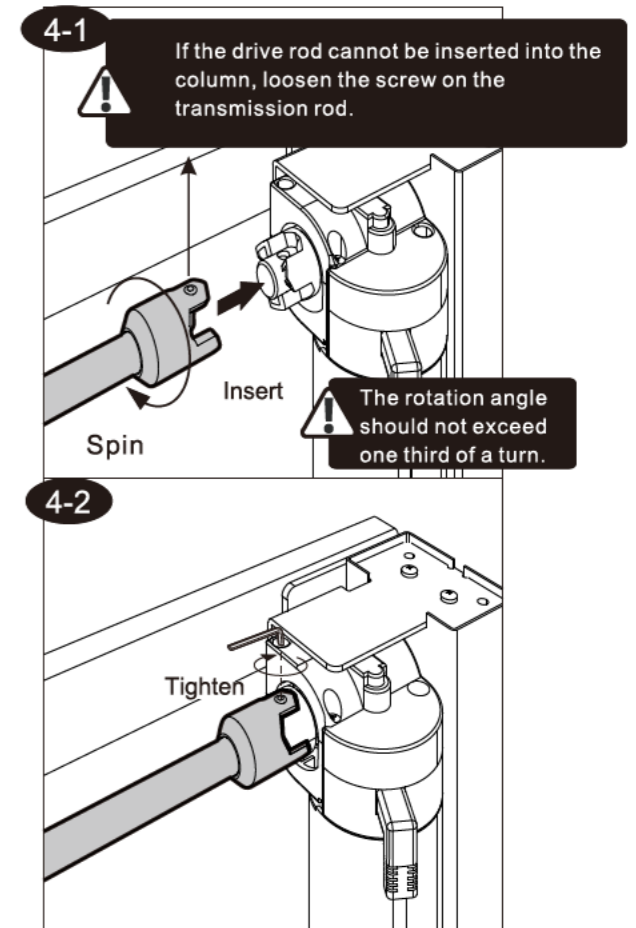
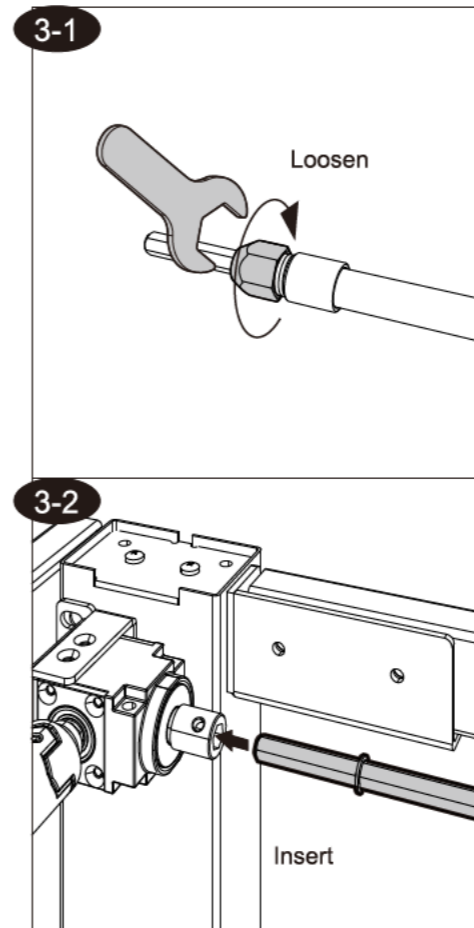
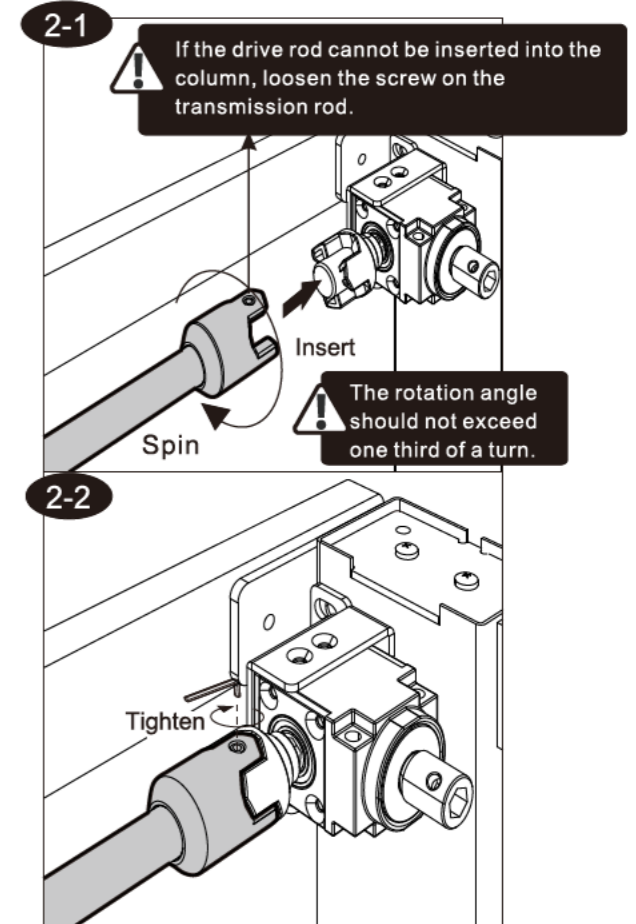
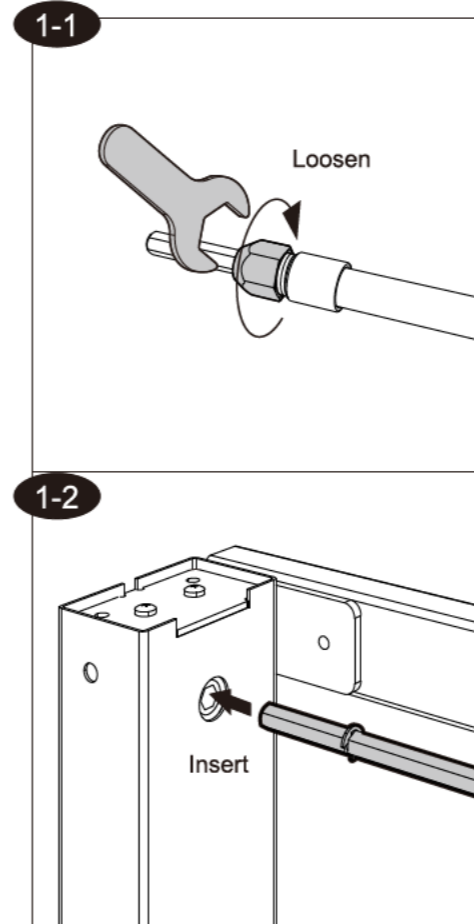
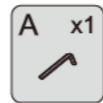
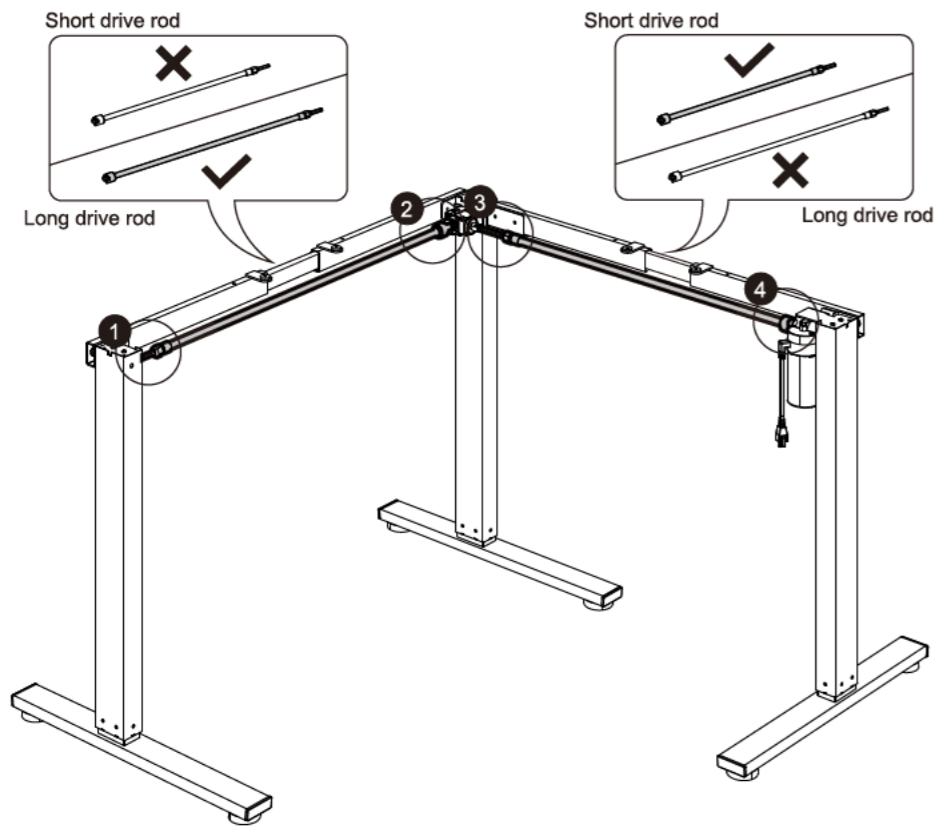
A-3 Install the crossbeam



A-4 Extend the crossbeam

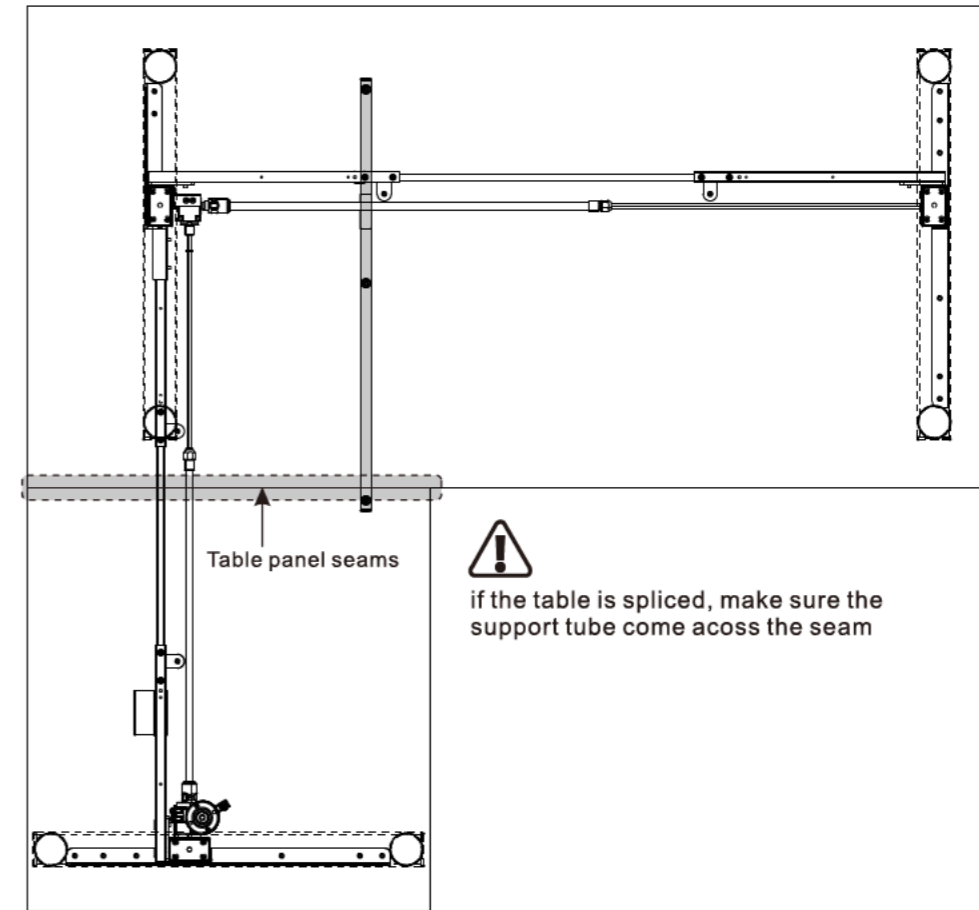
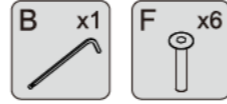
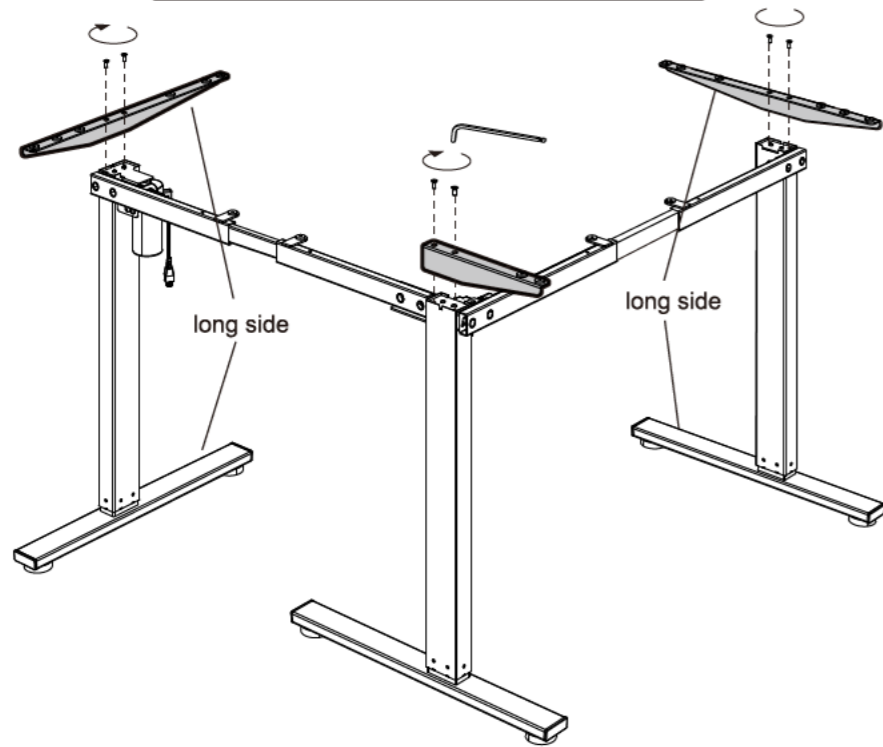


A-5 Install the drive rod



A-6 Install the support plate

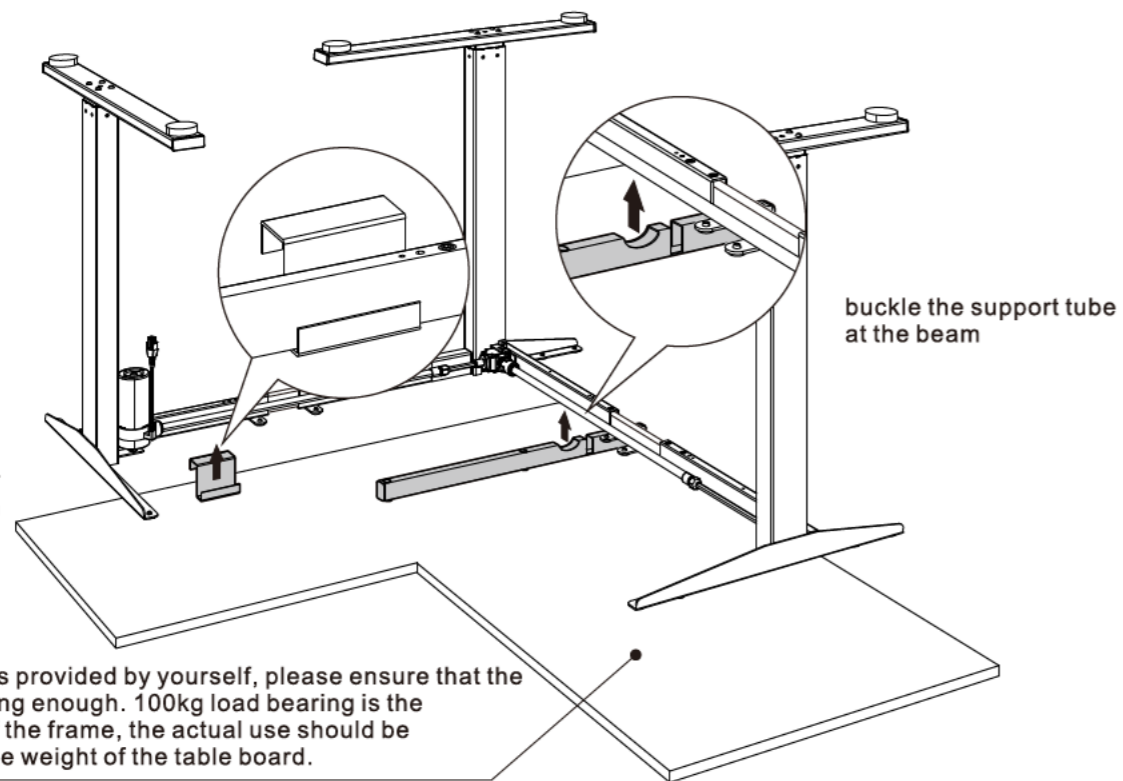
! Make sure the longer side of deskfeet® and support plate⑦⑧ face the same direction



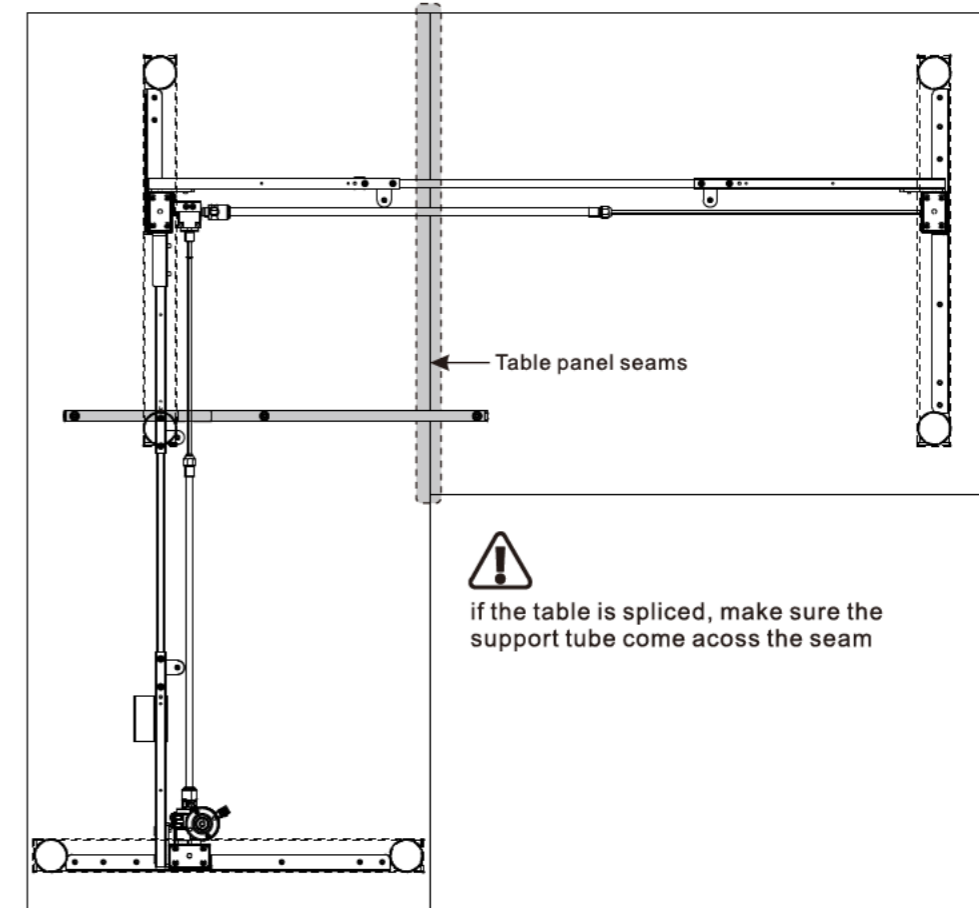
A-7 Place the frame on the desktop and install the adaptor holder&support tube



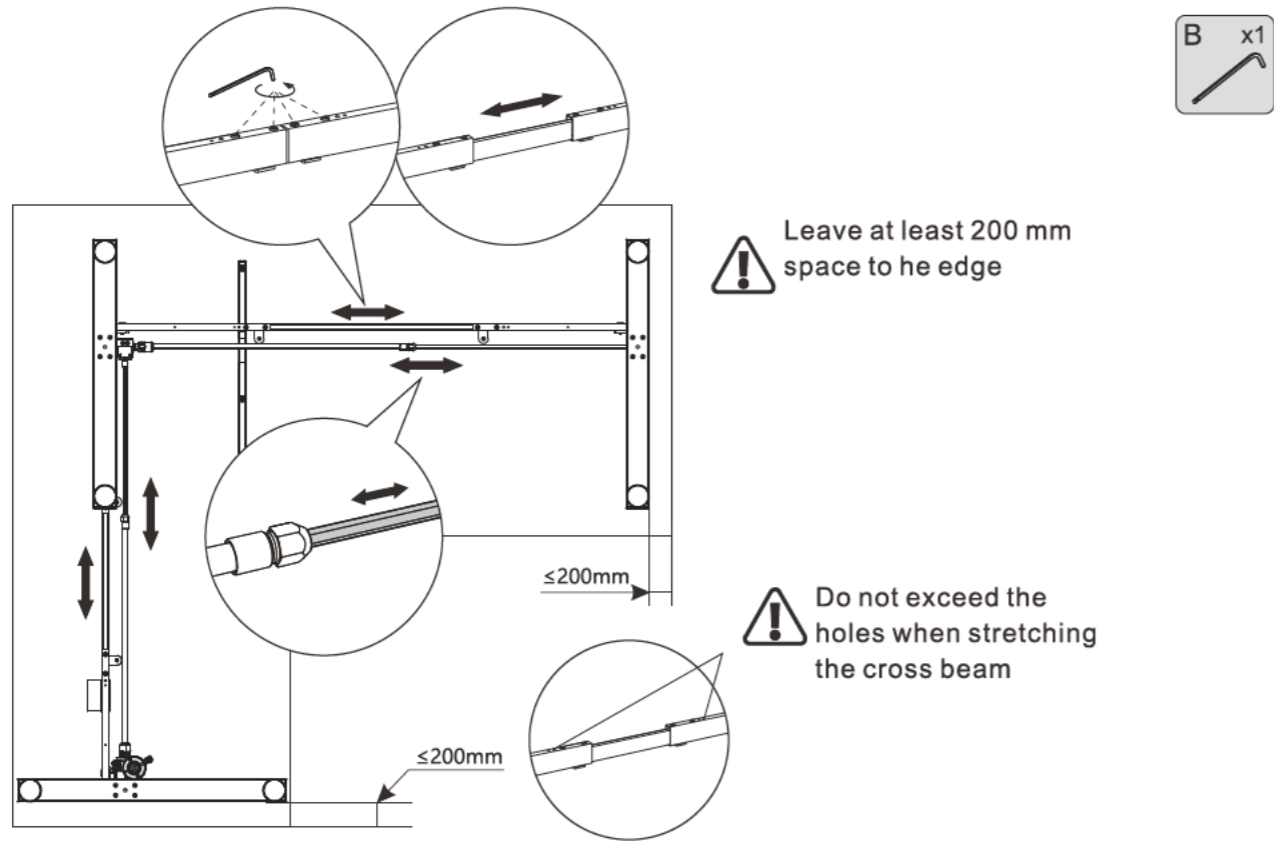
buckle the adaptor holder at the beam nearing motor



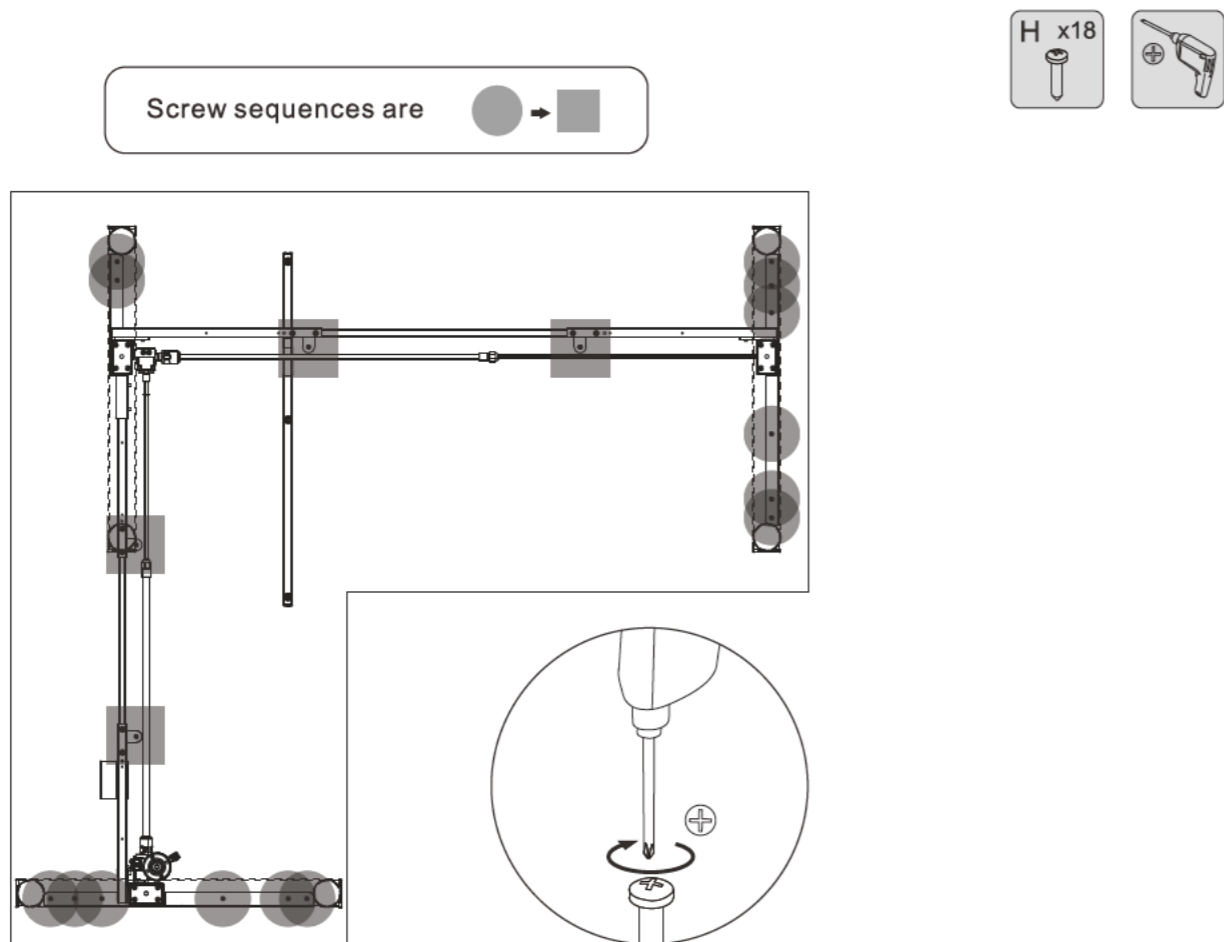
If the table board is provided by yourself, please ensure that the table board is strong enough. 100kg load bearing is the reference value of the frame, the actual use should be subtracted from the weight of the table board.



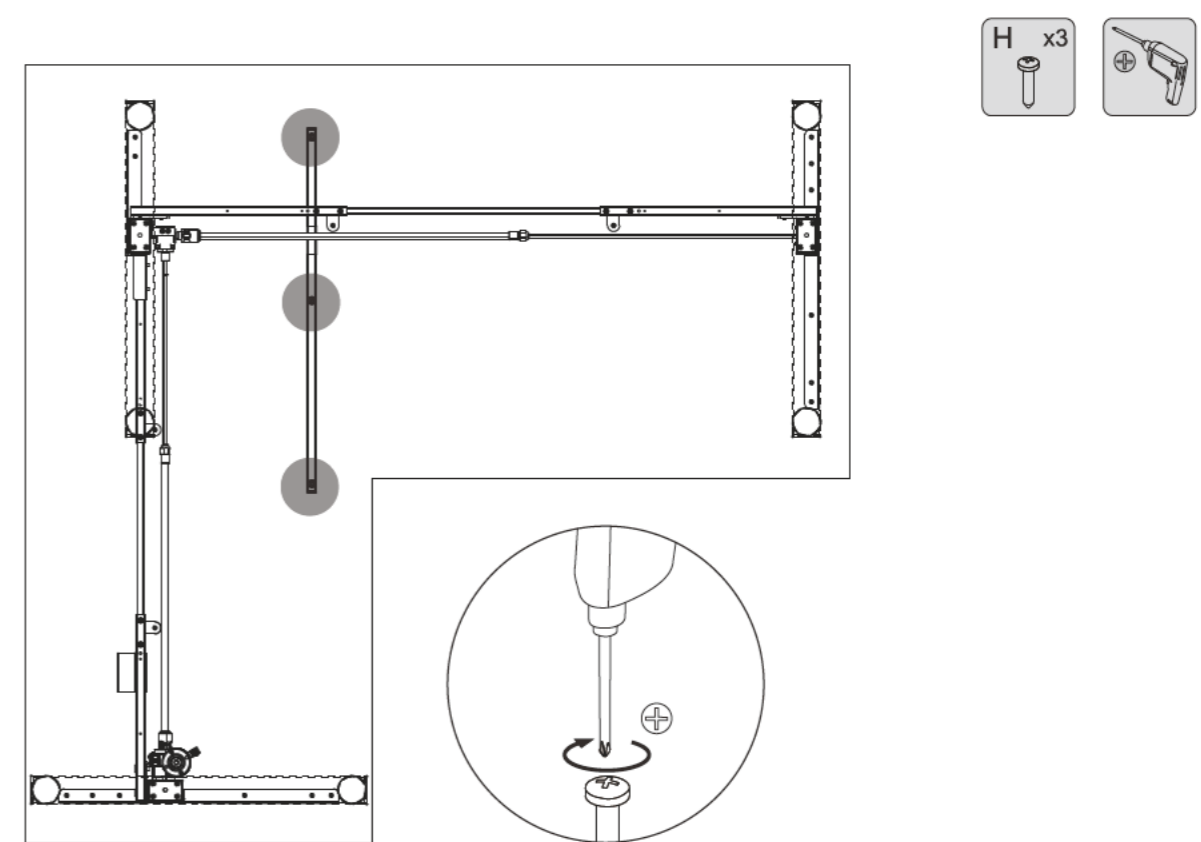
A-8 Adjust the cross beams and drive rods to appropriate position



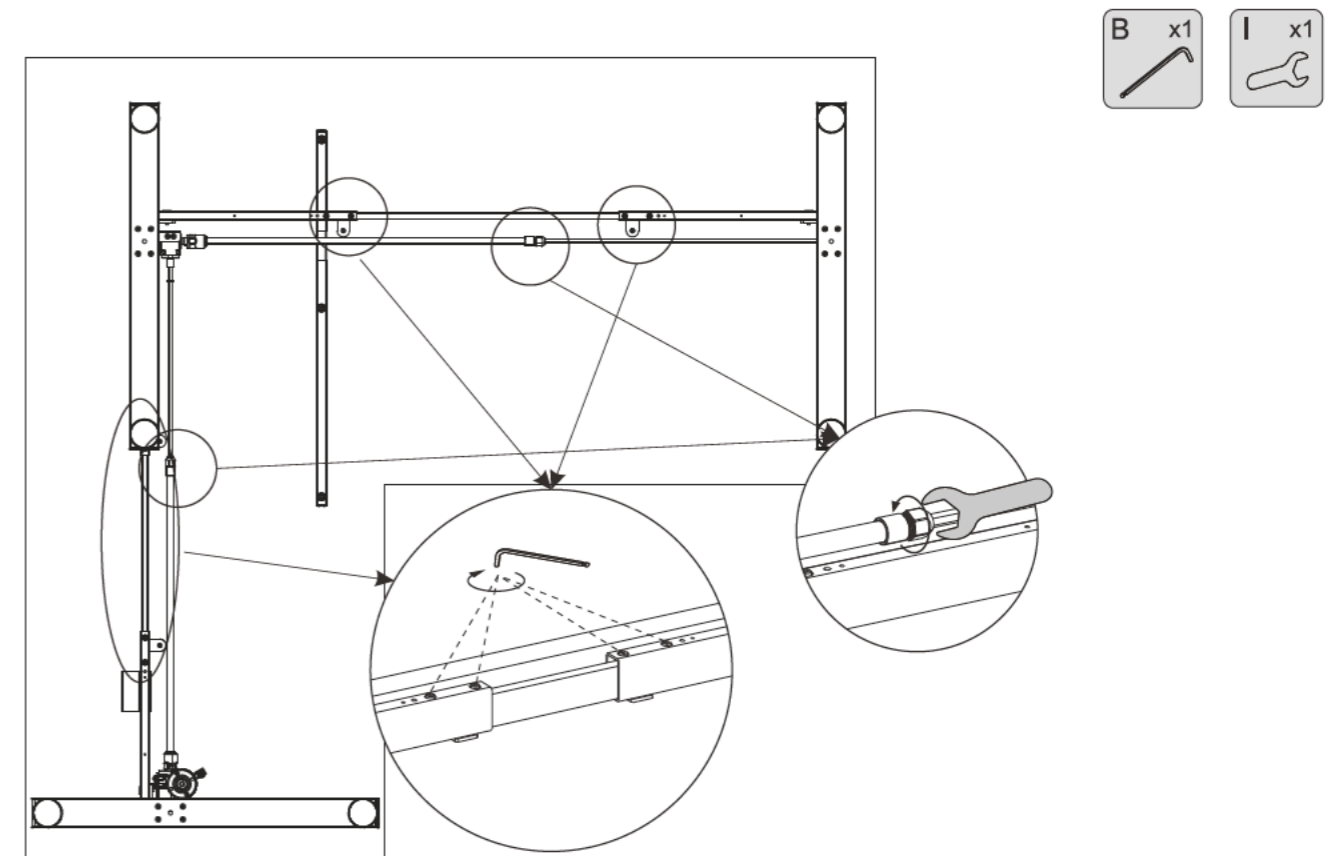
A-9 Attach the frame to the top



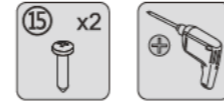
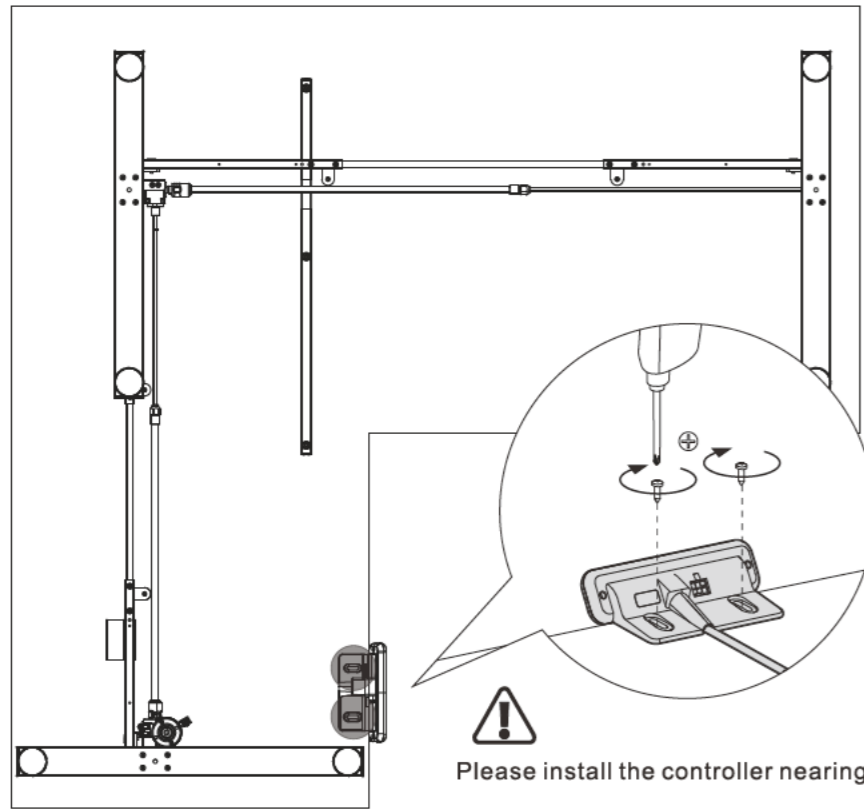
A-10 Tighten the screw on the support tube



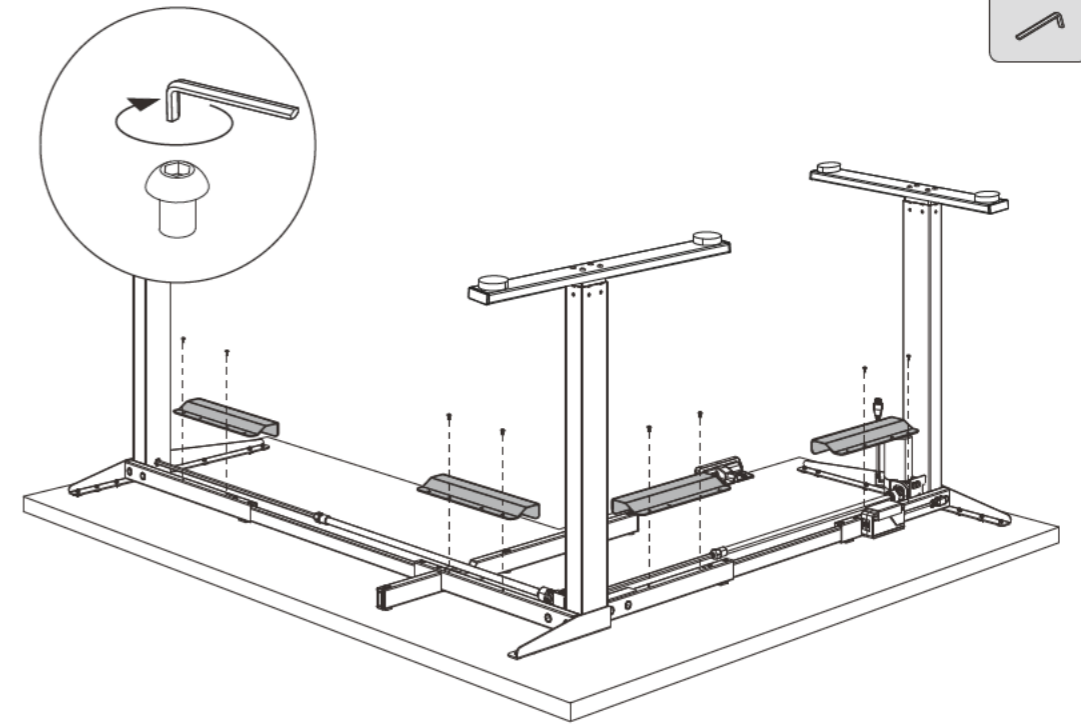
A-11 Secure the cross beams and drive rods



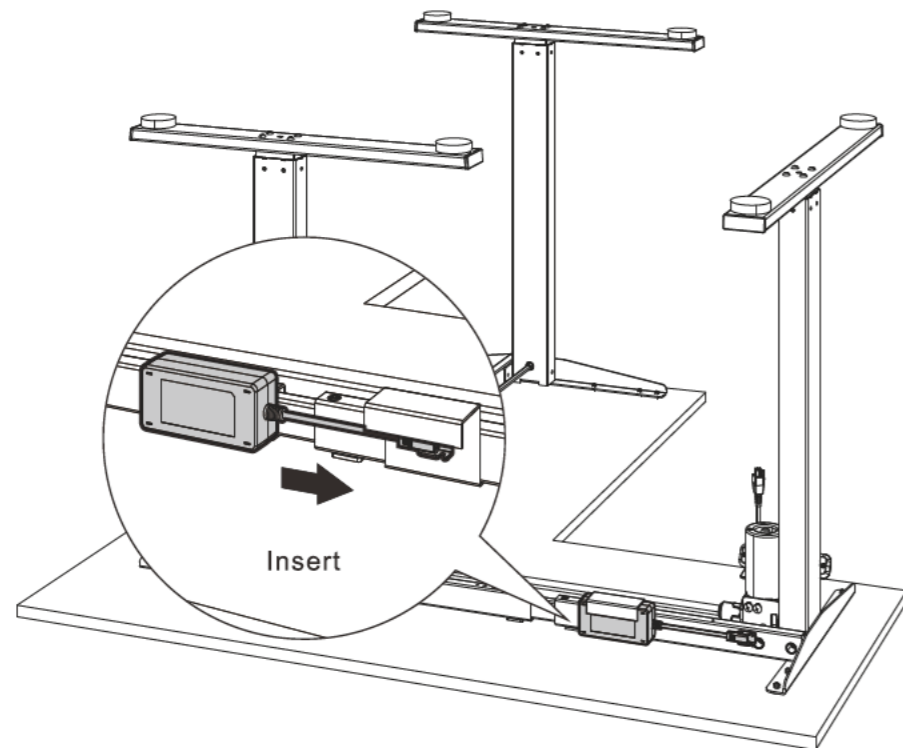
A-12 Install the adaptor



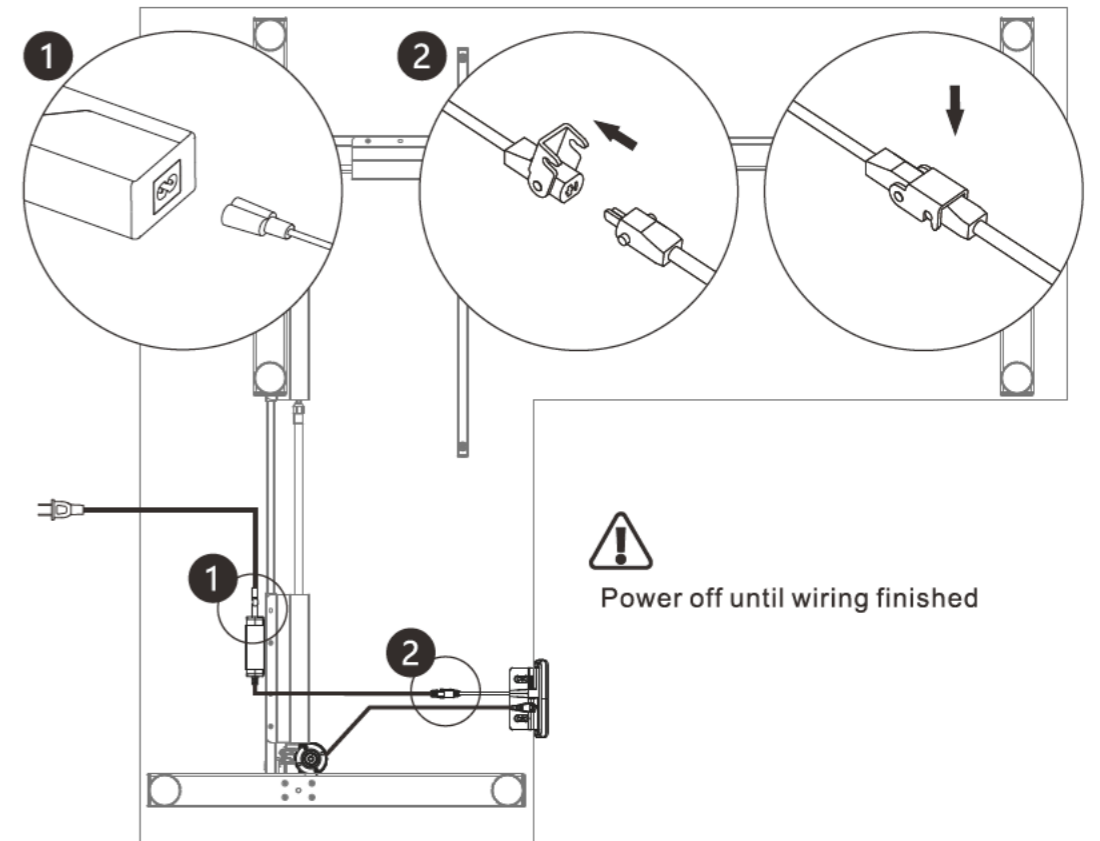
A-14 Install the baffle



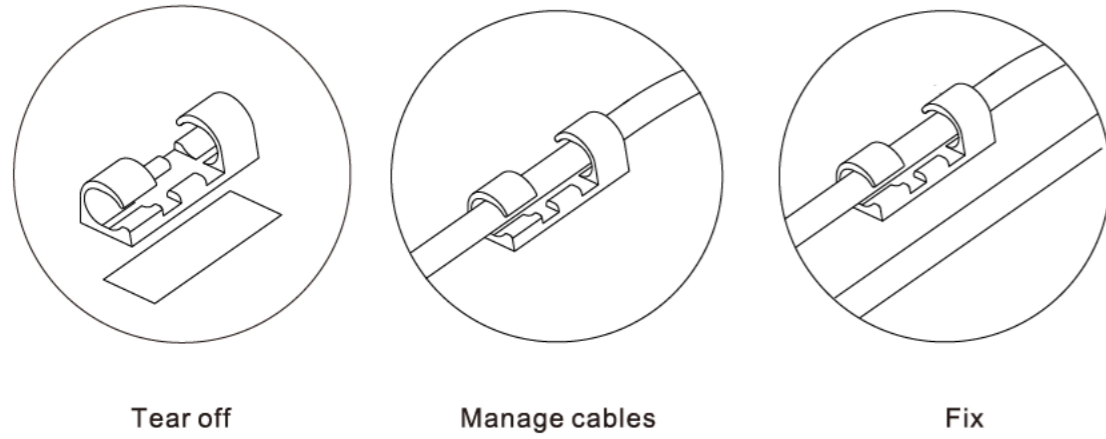
A-13 Install the adaptor



A-15 Wiring



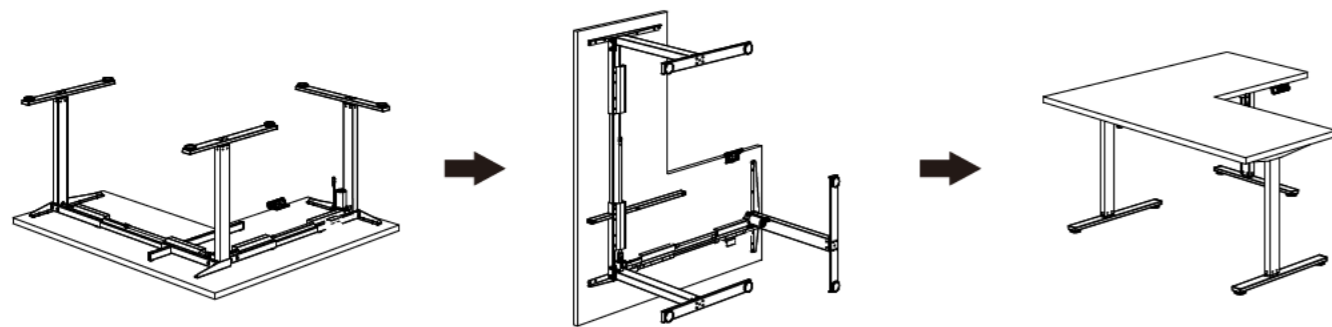
Fix the cables to desktop with cable clip to keep the desk clean.



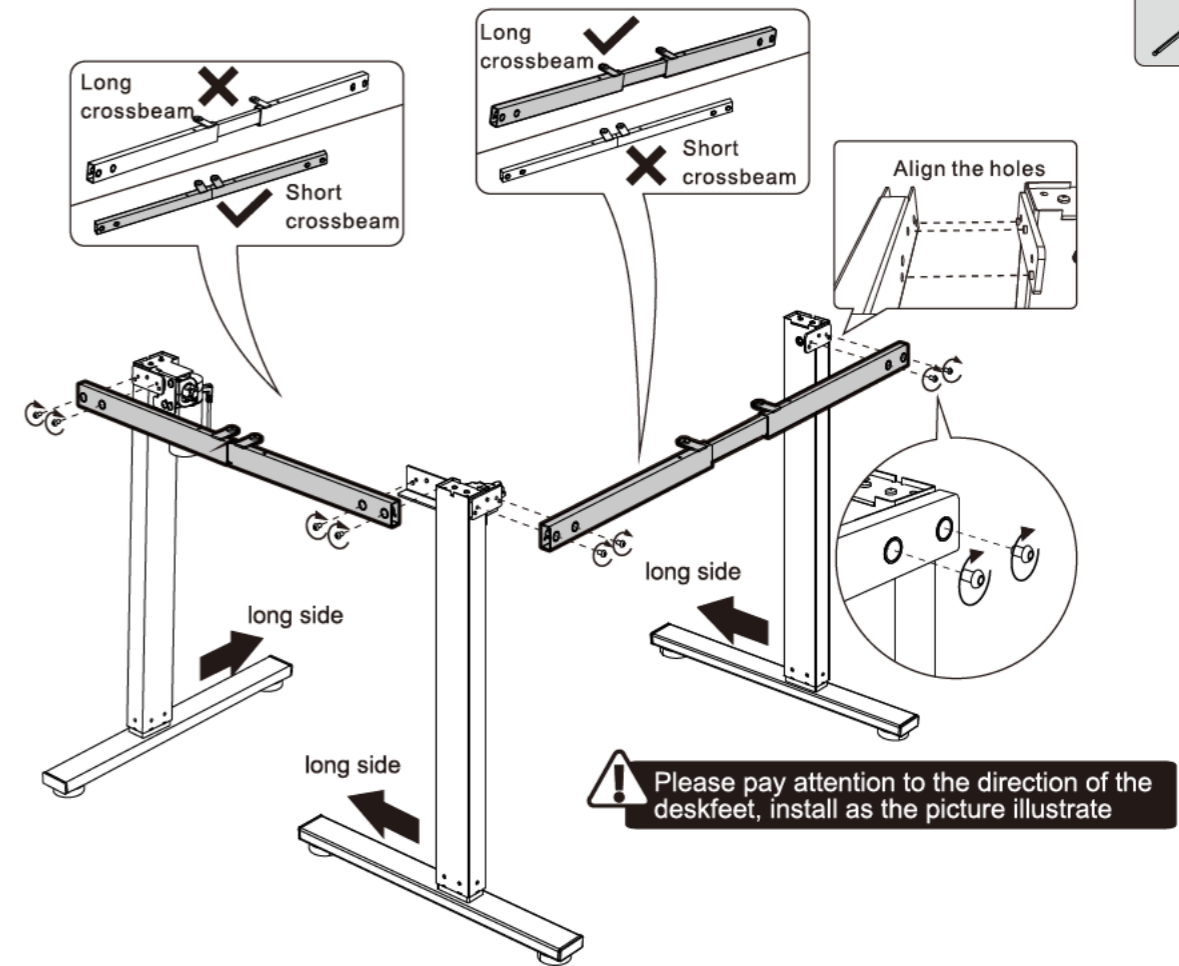
A-16 Turn over the desk



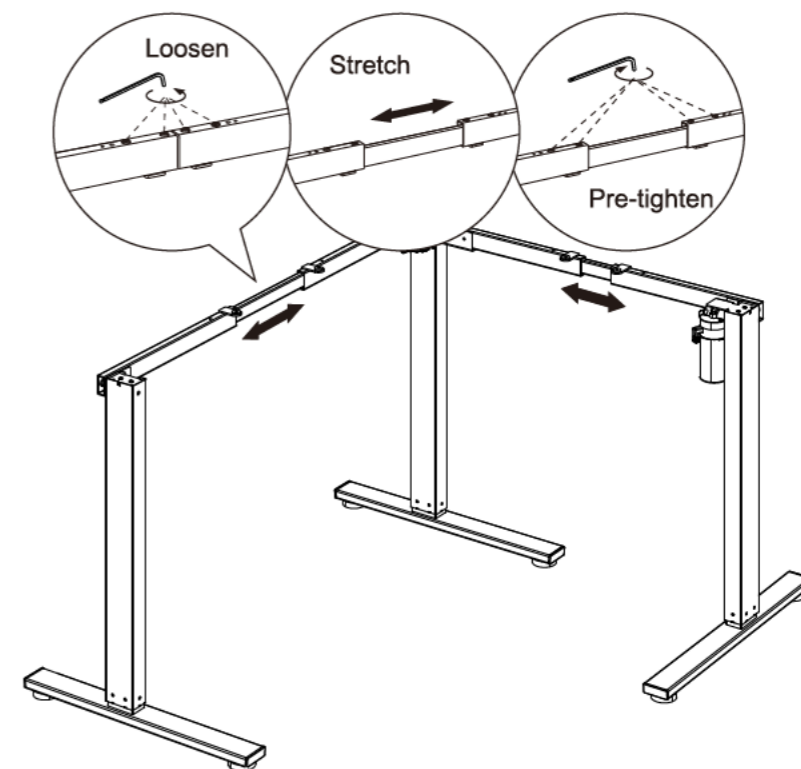
When turning the table over, be careful not to squeeze the handset and turn the end with the handset upwards.



B-3 Install the crossbeam



B-4 Extend the crossbeam



B-5 Install the drive rod

- A x1 
- B x1 
- I x1 

