
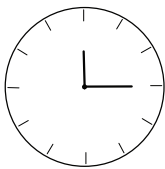
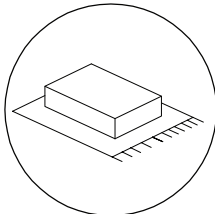

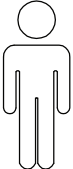
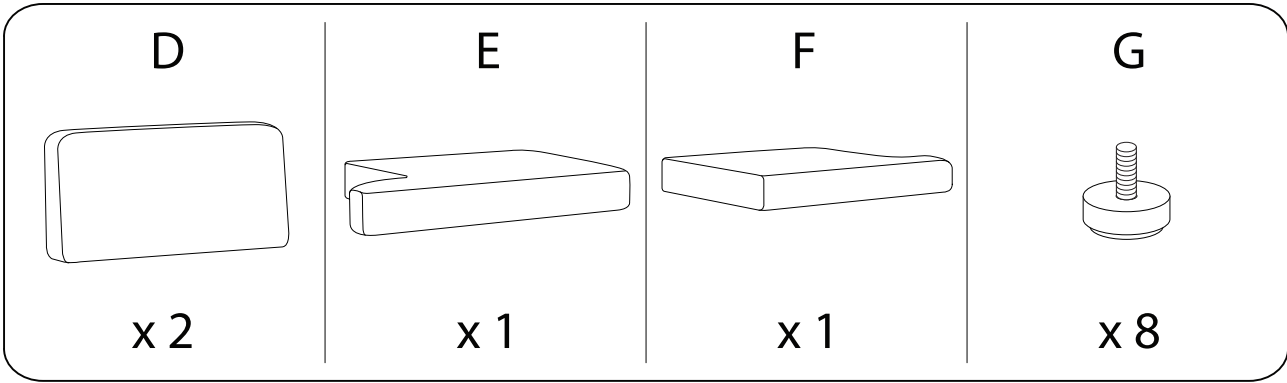
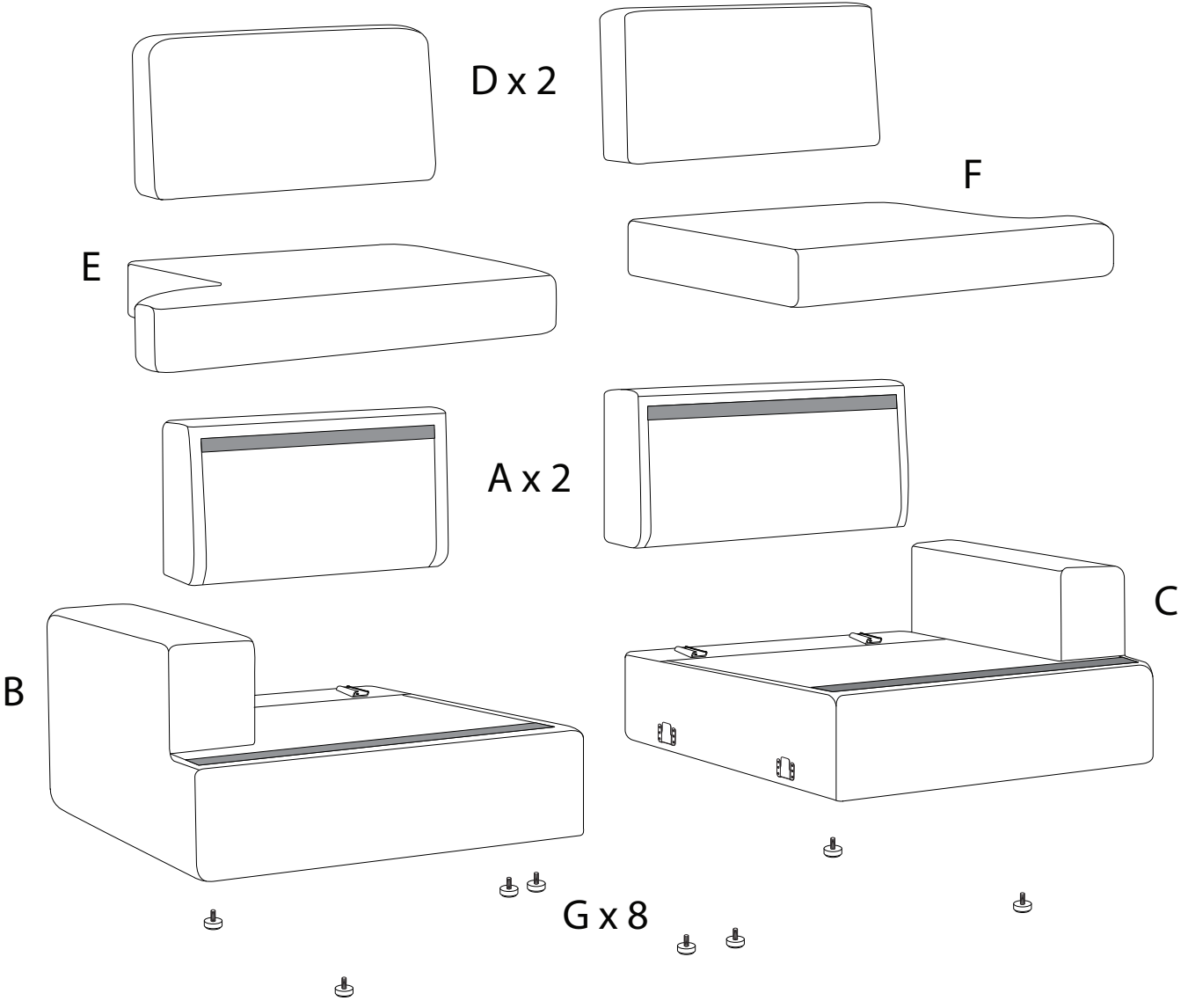
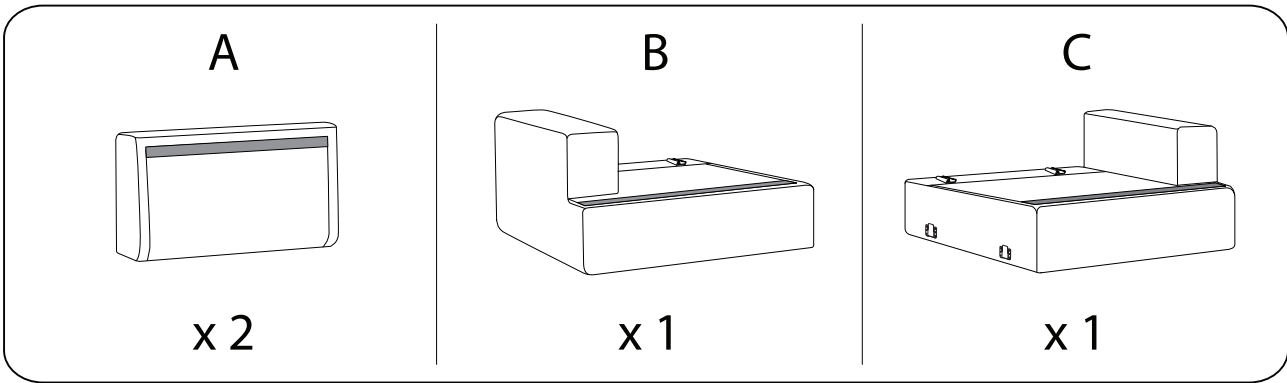
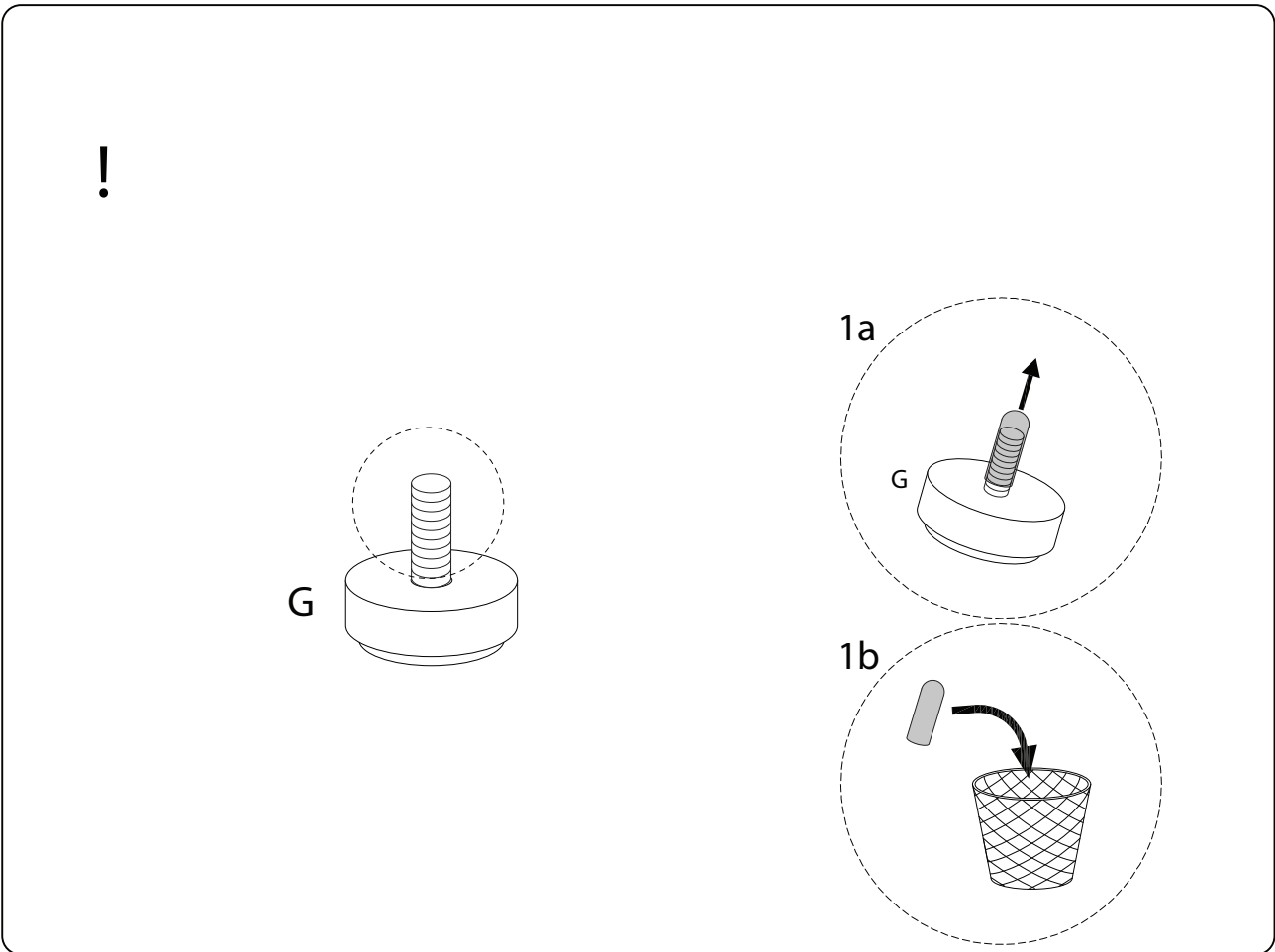
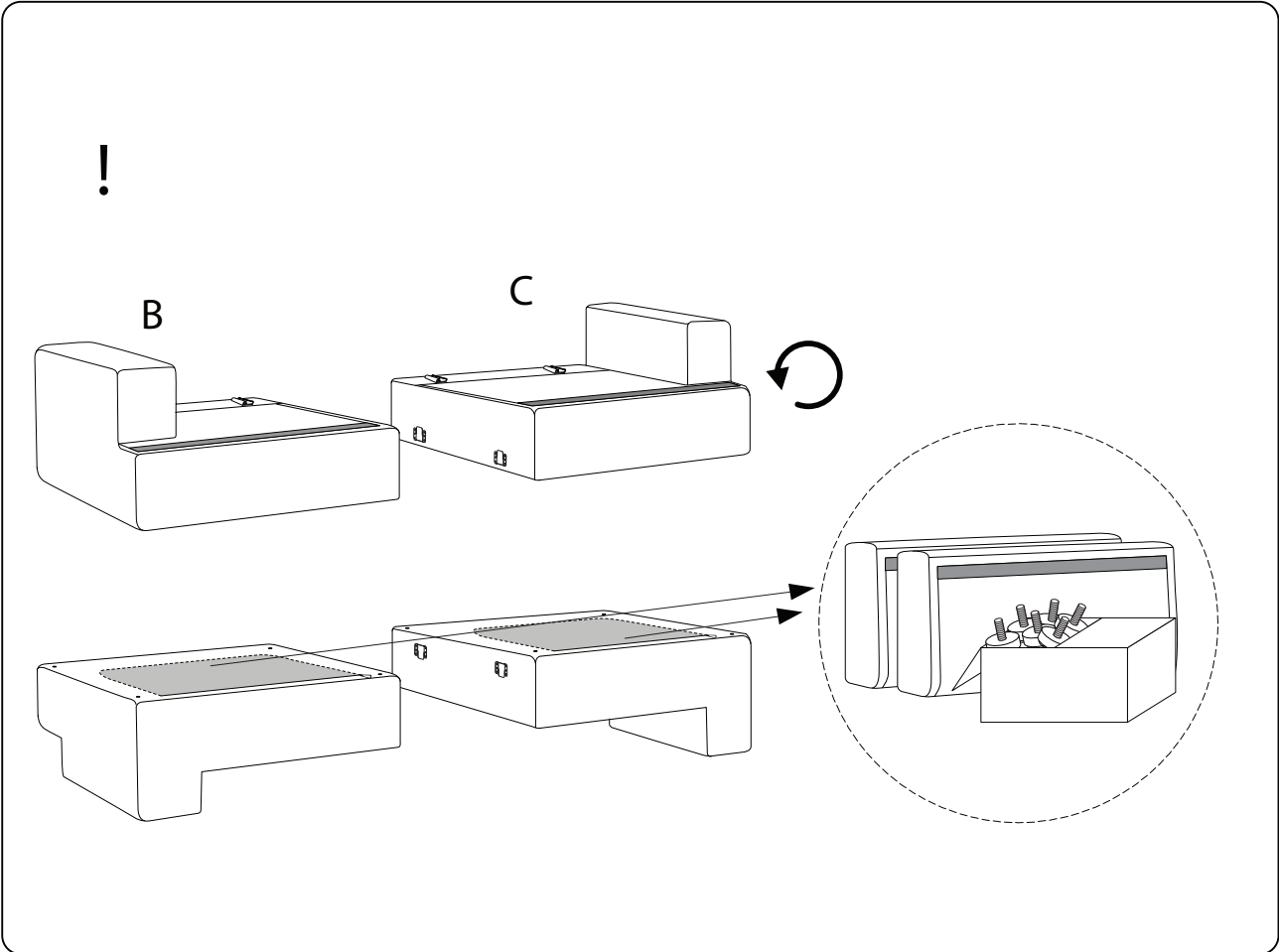
 A line drawing of a power drill with a diagonal slash through it, indicating that power tools should not be used for assembly.		
 A circular inset showing a rectangular block being placed on a textured surface. To the right, a similar block is shown with a diagonal slash through it, indicating that the block should not be placed on a soft or uneven surface.		

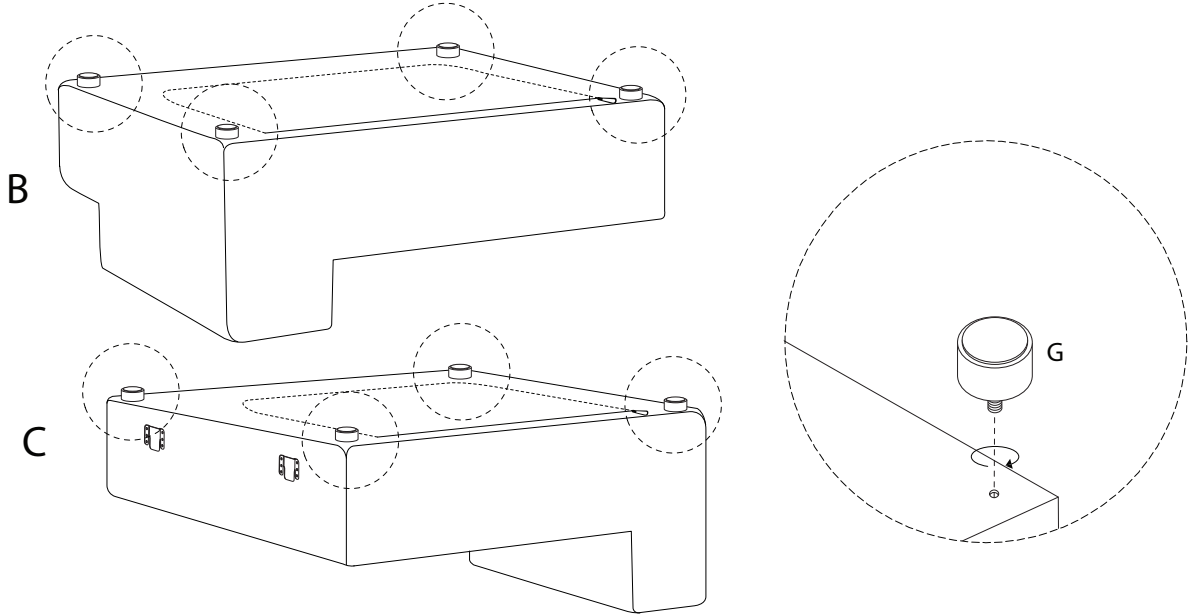
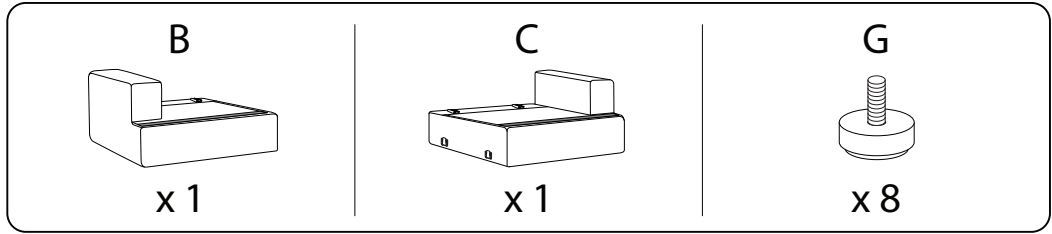
15'

2

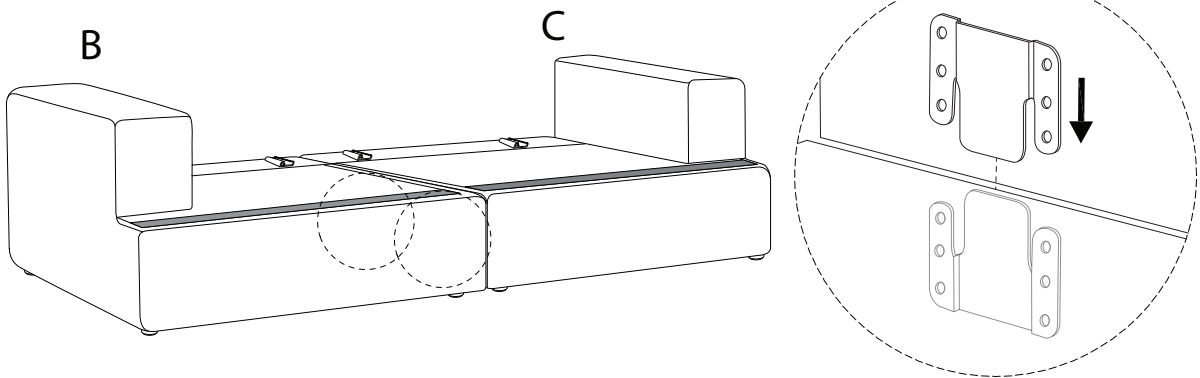




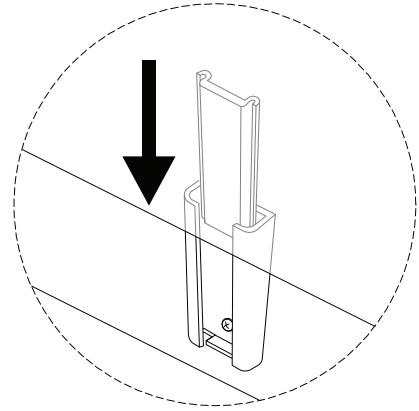
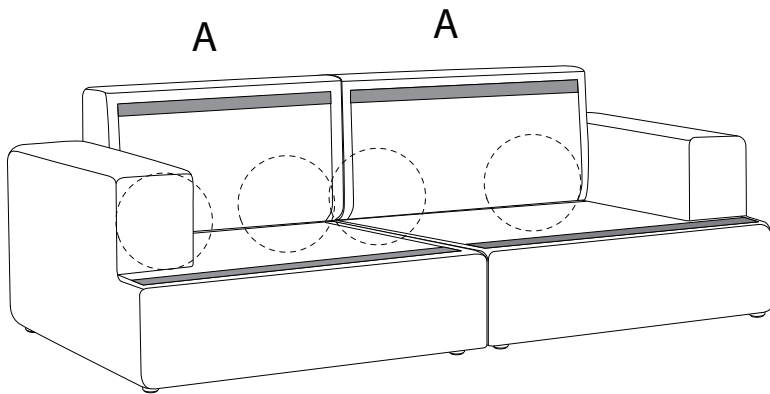
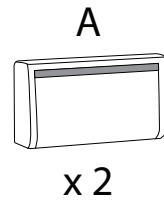
1



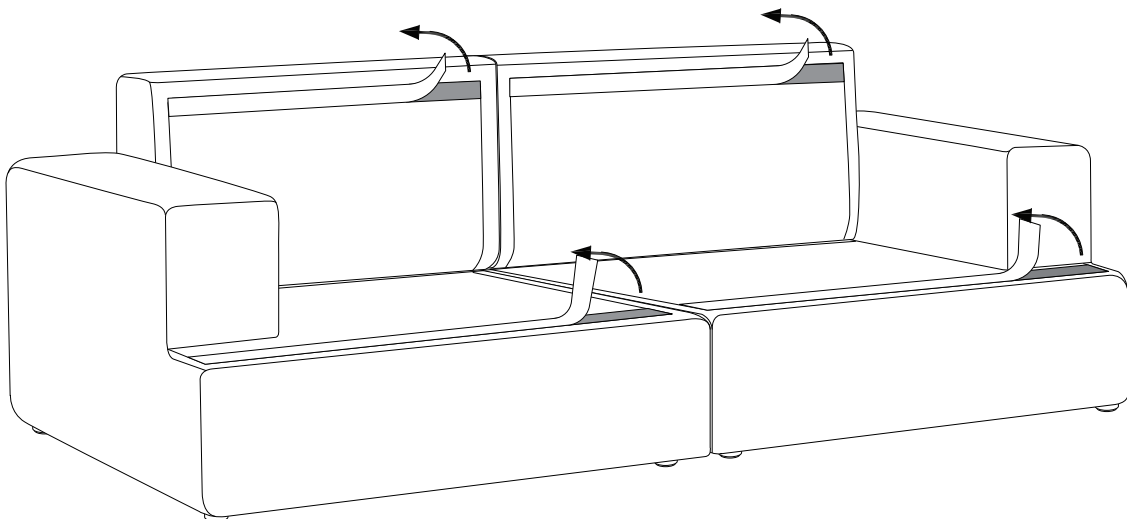
2



3



4



5

