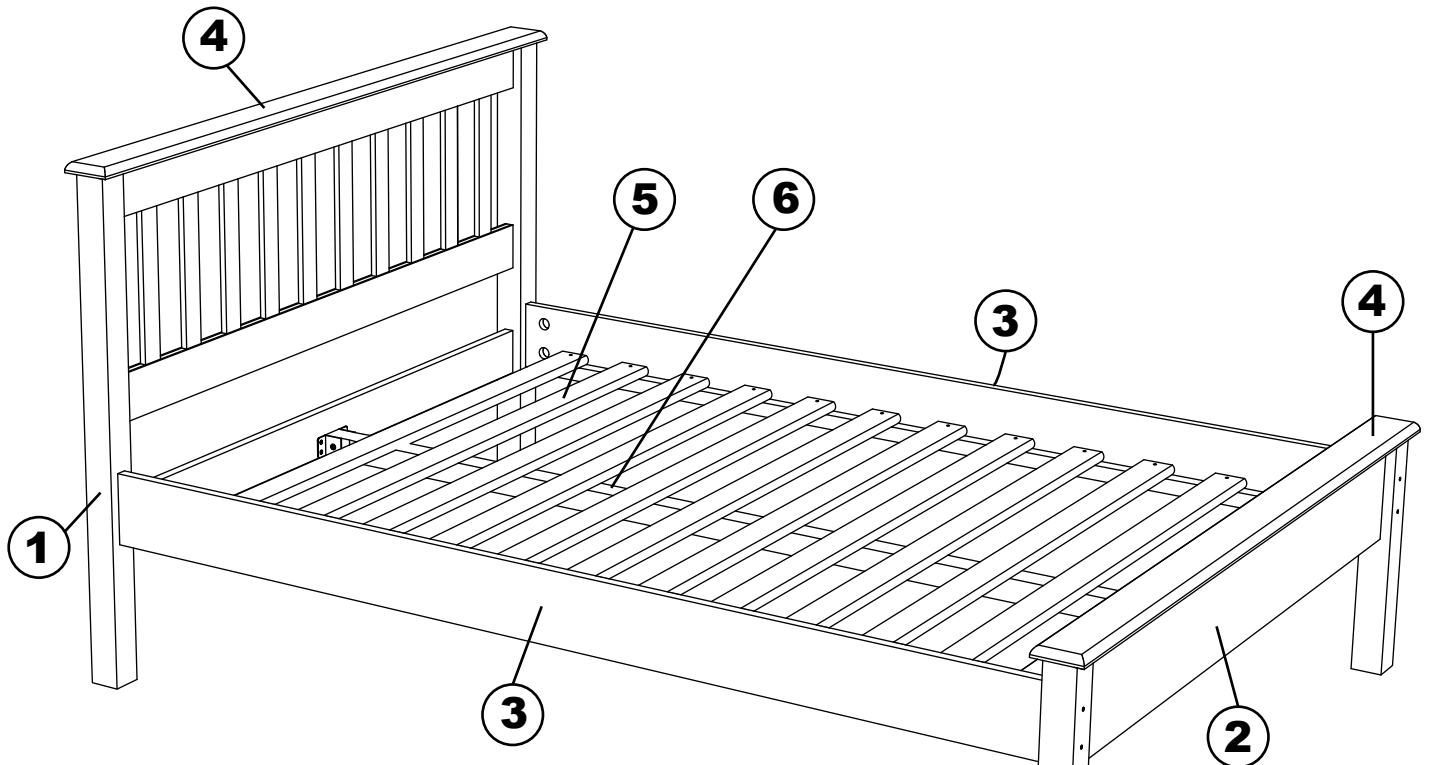
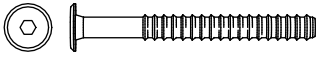
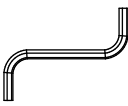

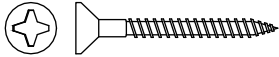
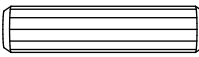
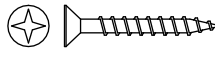
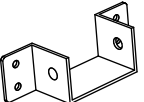

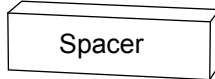
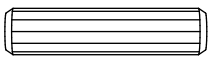


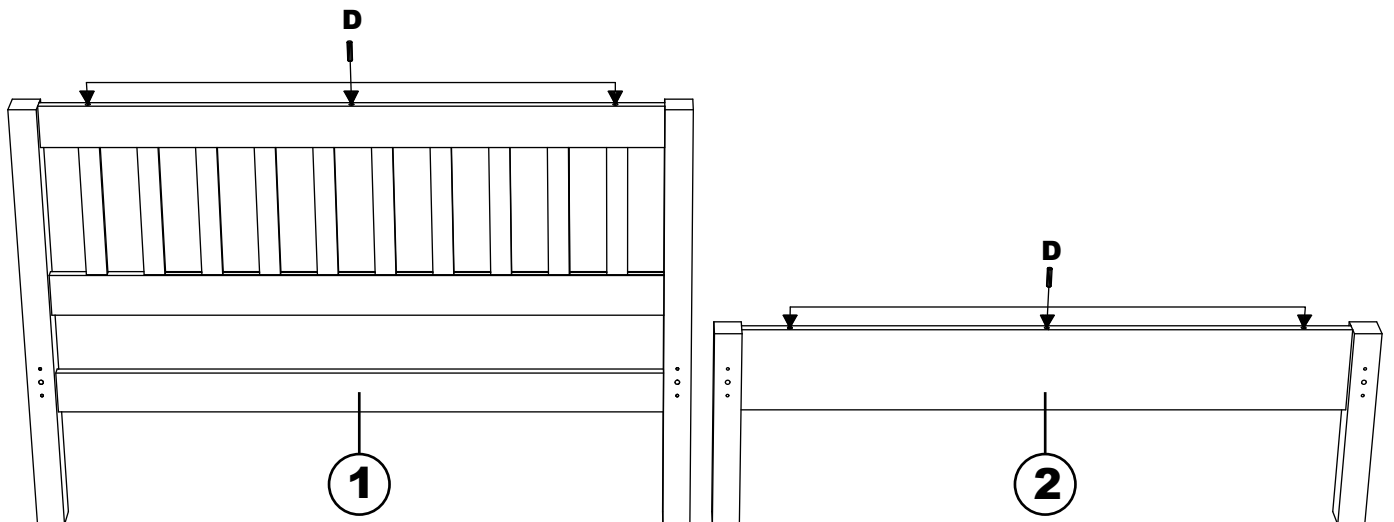
# ASSEMBLY INSTRUCTION - FULL BED



|          |  |          |   |
|----------|--|----------|---|
| <b>A</b> | <br>Ø 6 x 100mm Qty: 08     | <b>C</b> | <br>Allen Key Qty: 01    |
| <b>B</b> | <br>Half Moon Qty: 08     | <b>E</b> | <br>Ø 4 x 30mm Qty: 32   |
| <b>D</b> | <br>Ø 10 x 40mm Qty: 10   | <b>F</b> | <br>Ø 3 x 15mm Qty: 08 |
| <b>G</b> | <br>Support Metal Qty: 02 | <b>H</b> | <br>Ø 6 x 45mm Qty: 02   |
|          |  | <b>I</b> | <br>Spacer Qty: 02     |

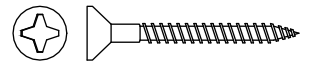
## Step: 1

|          |  |
|----------|--|
| <b>D</b> | <br>Ø 10 x 40mm Qty: 06 |
|----------|--|



## Step: 2

**E**

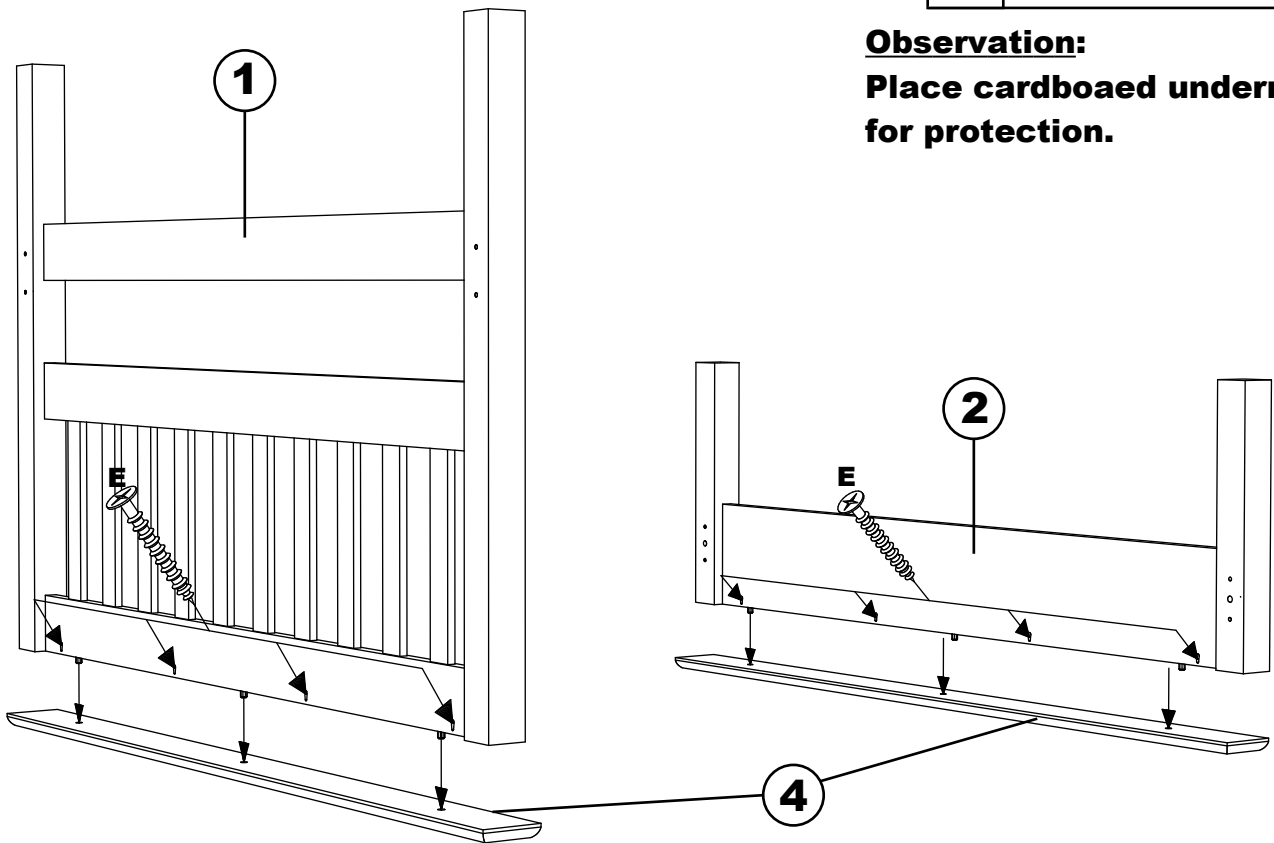


Ø 4 x 30mm

Qty: 08

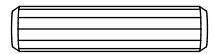
### Observation:

**Place cardboard underneath for protection.**



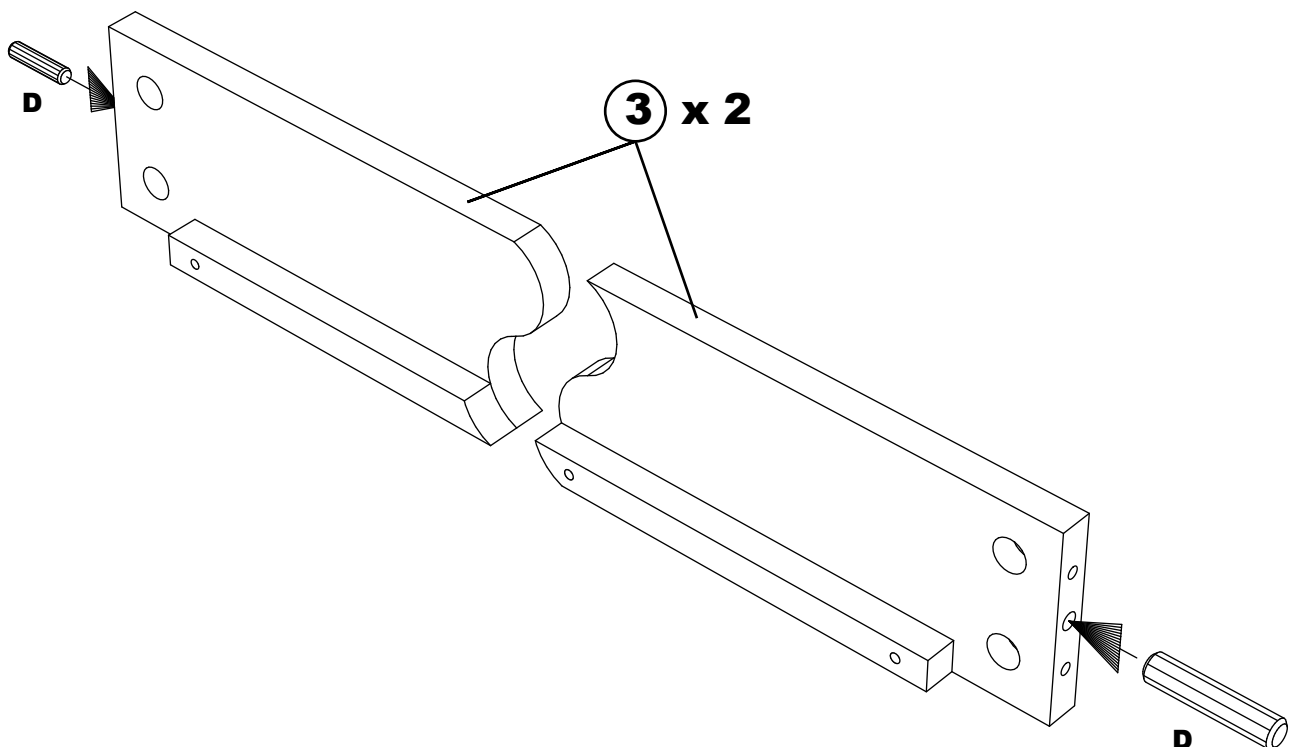
## Step: 3

**D**



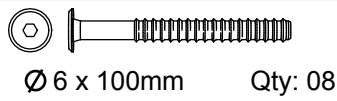
Ø10 x 40mm

Qty: 04

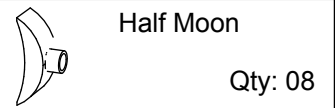


# Step: 4

**A**



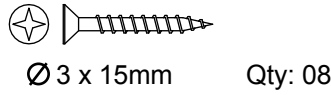
**B**



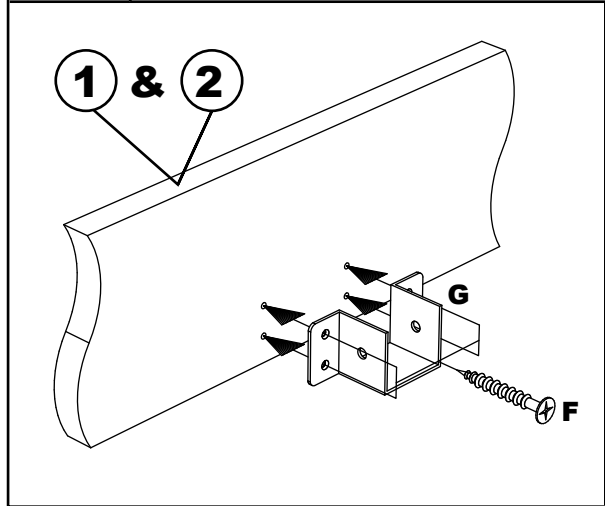
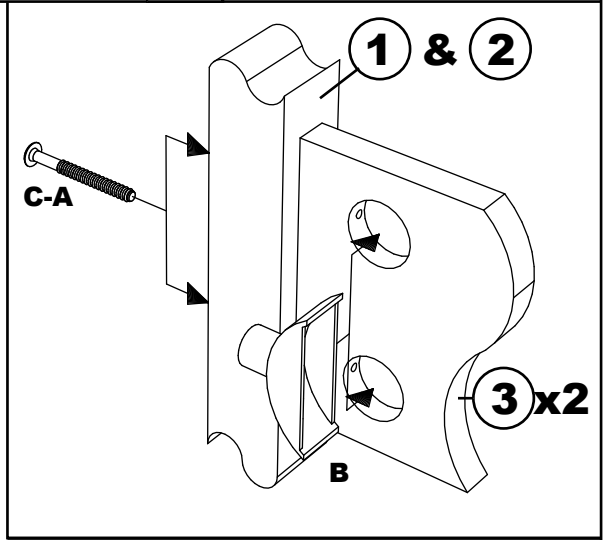
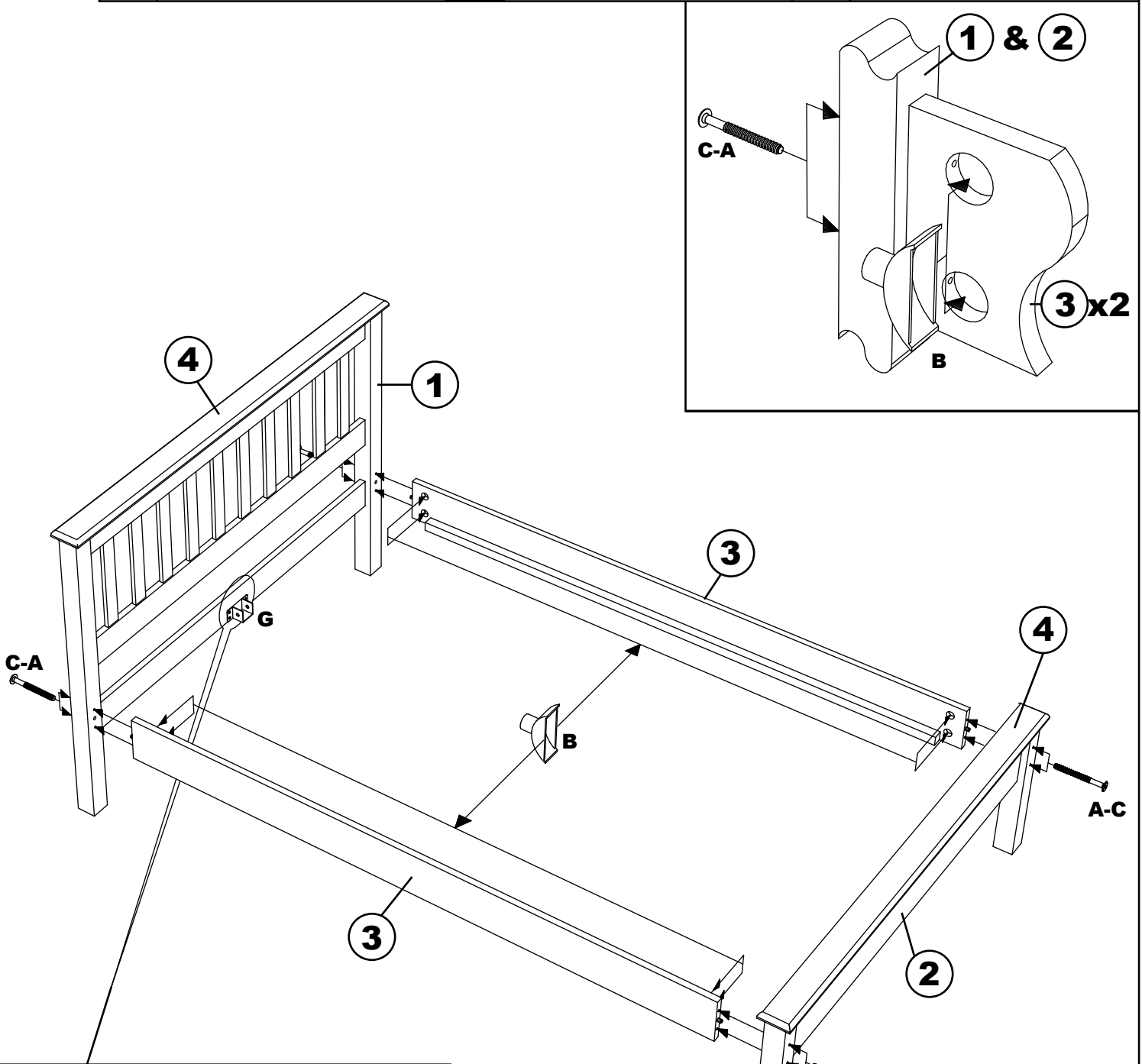
**C**



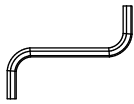

**F**

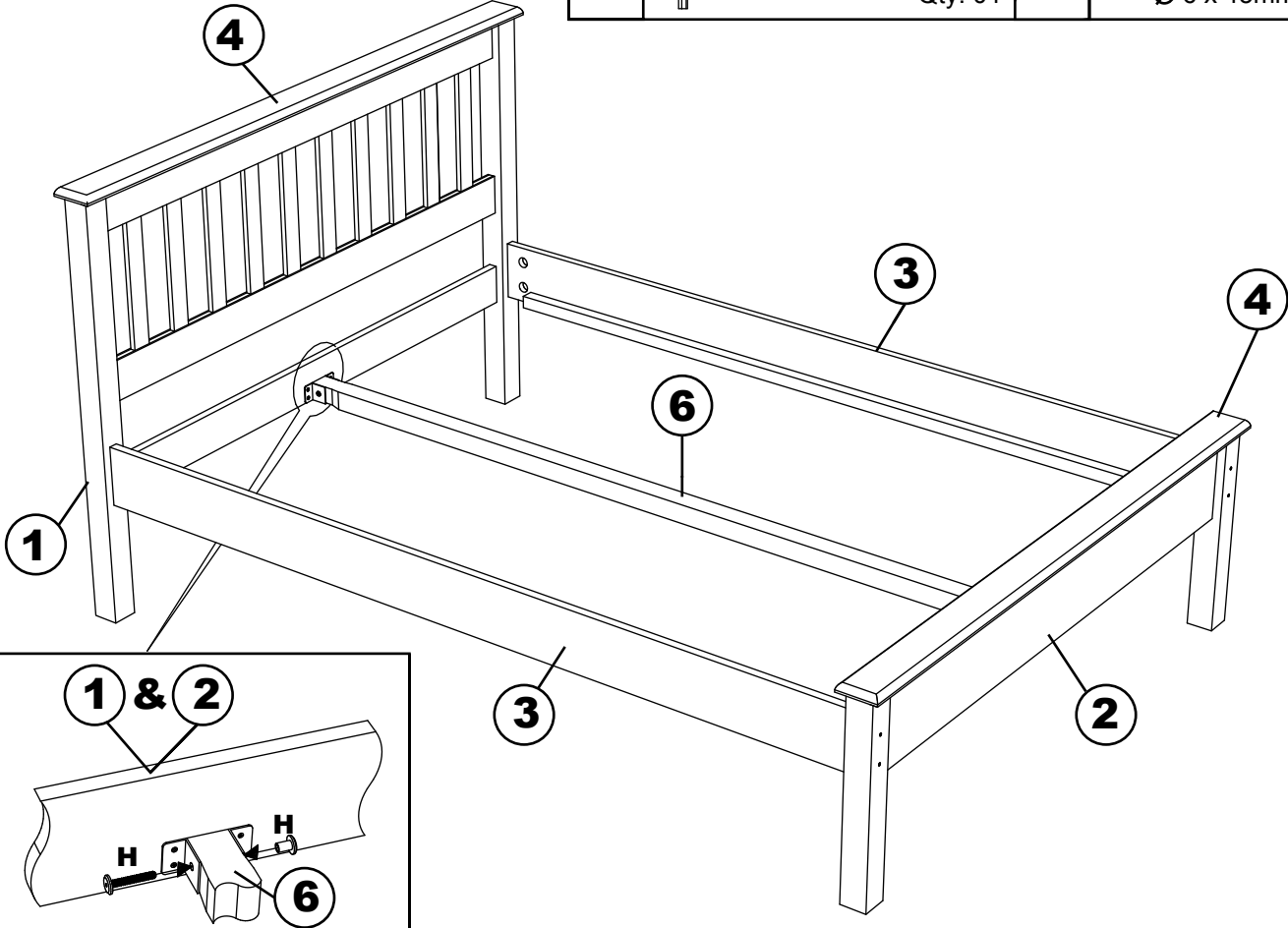


**G**





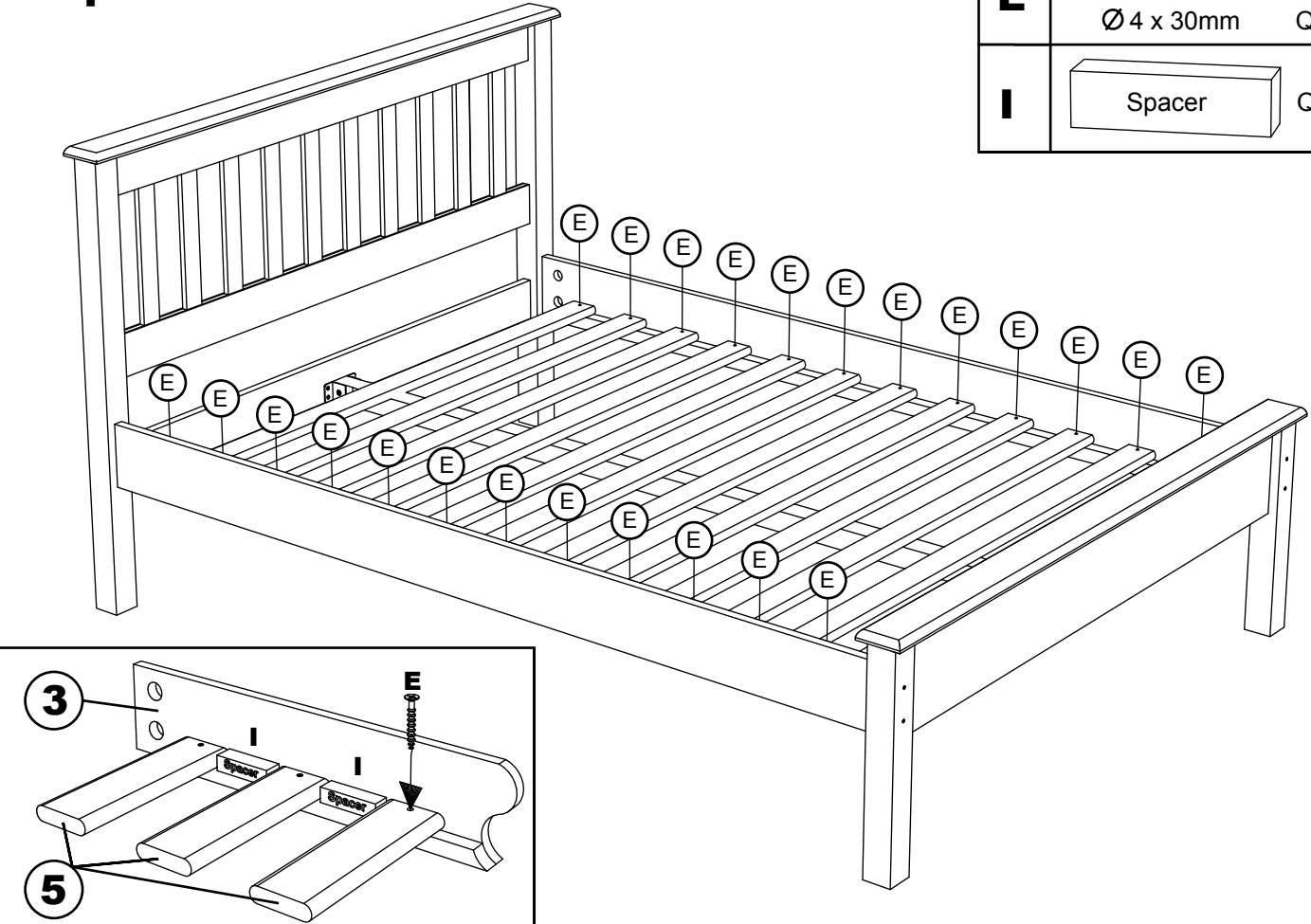
# Step: 5

|          |  |                      |          |  |                       |
|----------|--|----------------------|----------|--|-----------------------|
| <b>C</b> |  | Allen Key<br>Qty: 01 | <b>H</b> |  | Ø 6 x 45mm<br>Qty: 02 |
|----------|--|----------------------|----------|--|-----------------------|

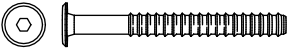

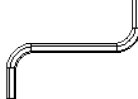
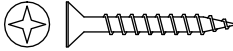
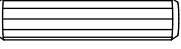
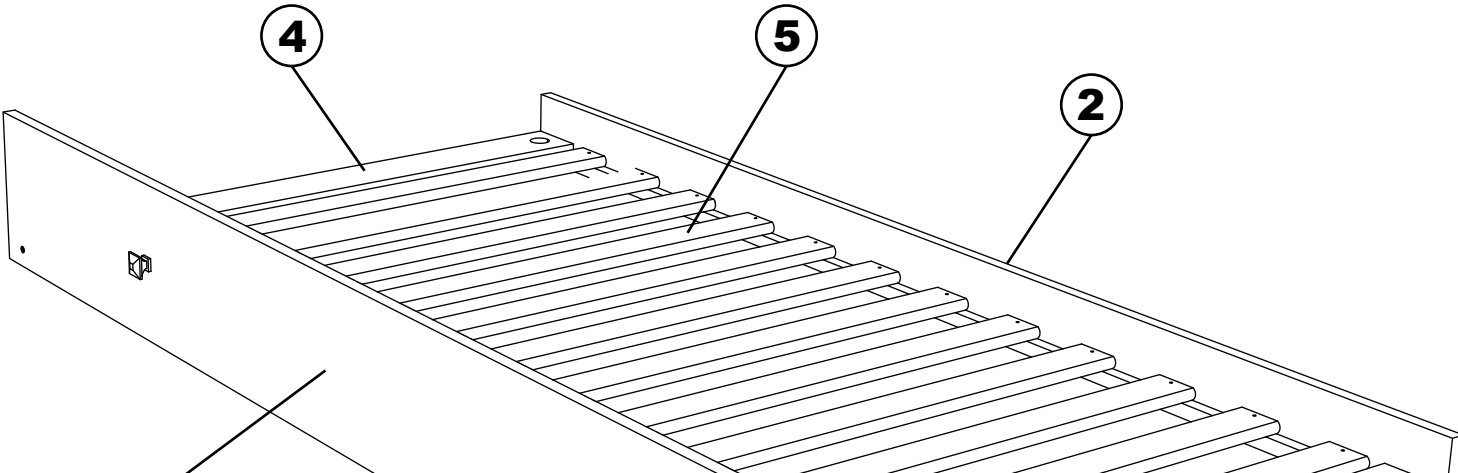

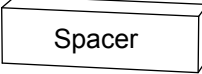
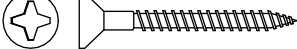




# Step: 6

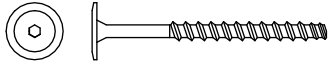

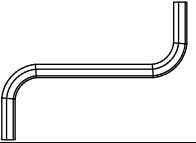
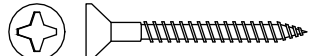
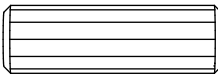
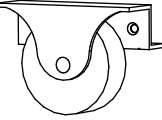
|          |   |                       |
|----------|---|-----------------------|
| <b>E</b> |  | Ø 4 x 30mm<br>Qty: 24 |
| <b>I</b> |  | Spacer<br>Qty: 02     |

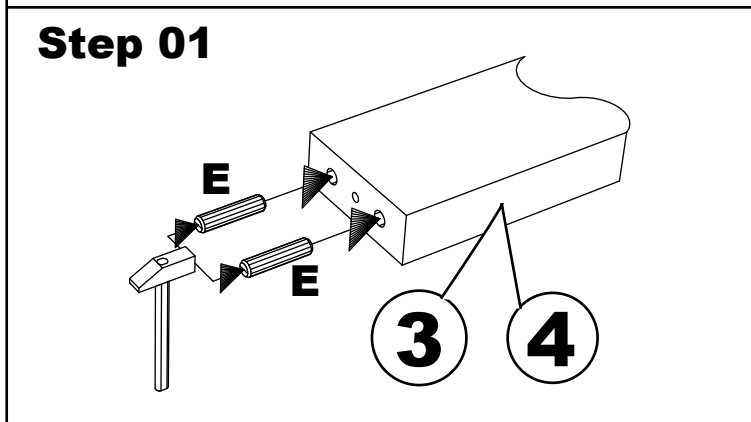
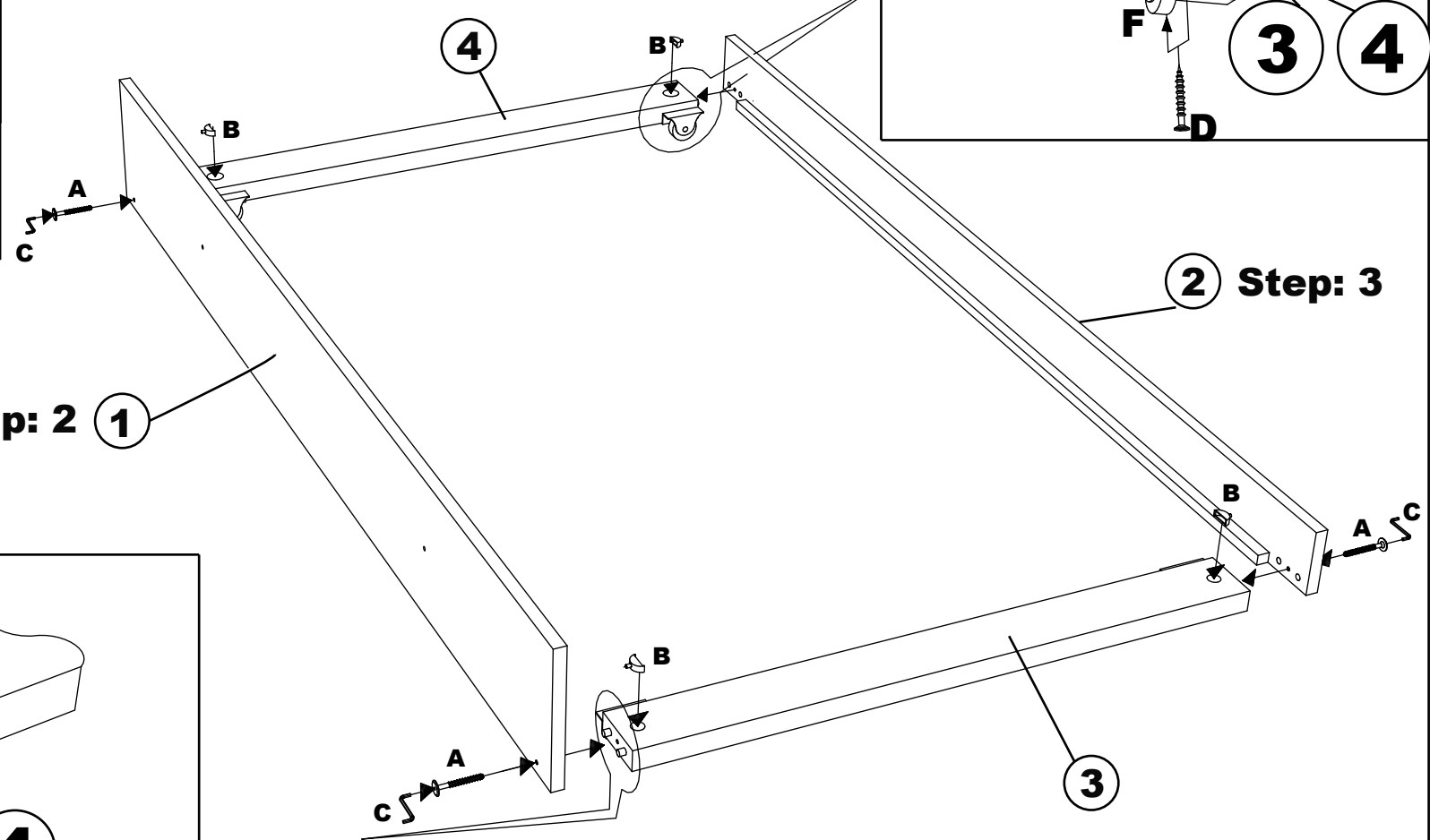
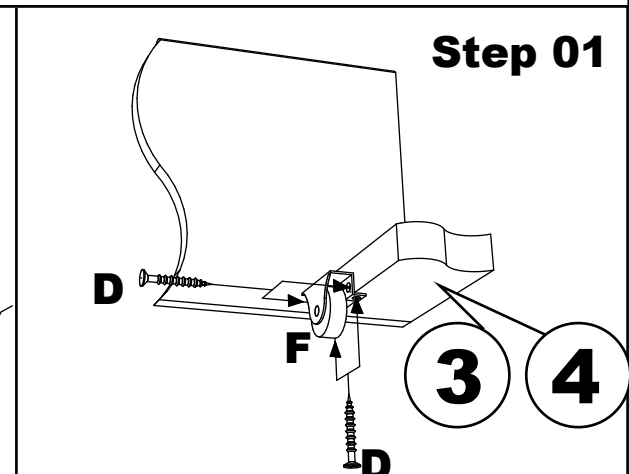


# ASSEMBLY INSTRUCTIONS - SHAKER TRUNDLE CAPPUCCINO

|          |  |   |   |          |   |          |   |
|----------|--|---|---|----------|---|----------|---|
| <b>A</b> | <br>Ø 6 x 70mm Qty: 04  | <b>B</b>  | <br>Half Moon<br>Qty: 04 | <b>C</b> | <br>Allen Key<br>Qty: 01 | <b>D</b> | <br>Ø 3 x 15mm Qty: 16 |
| <b>E</b> | <br>Ø 10 x 40mm Qty: 08 |  |   |          |   |          |   |
| <b>F</b> | <br>Qty: 04             |   |   |          |   |          |   |
| <b>G</b> | <br>Qty: 02             |   |   |          |   |          |   |
| <b>H</b> | <br>Ø 4 x 30mm Qty: 24  |   |   |          |   |          |   |
| <b>I</b> | <br>Ø 4 x 30mm Qty: 02  |   |   |          |   |          |   |
| <b>J</b> | <br>Qty: 02             |   |   |          |   |          |   |

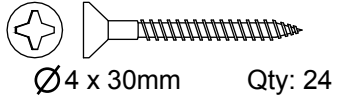
# ASSEMBLY INSTRUCTION - SHAKER TRUNDLE CAPPUCCINO

|          |  |          |   |
|----------|--|----------|---|
| <b>A</b> | <br>Ø 6 x 70 mm Qty: 04 | <b>B</b> | <br>Half Moon Qty: 04    |
| <b>C</b> | <br>Allen Key Qty: 01   | <b>D</b> | <br>Ø 3 x 15 mm Qty: 16 |
| <b>E</b> | <br>Ø 10 x 40mm Qty: 08 |          |   |
| <b>F</b> | <br>Qty: 04             |          |   |

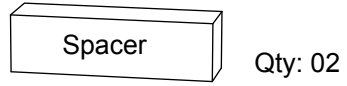


# ASSEMBLY INSTRUCTIONS - SHAKER TRUNDLE CAPPUCCINO

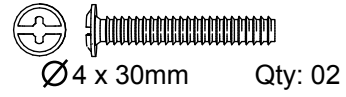
**G**



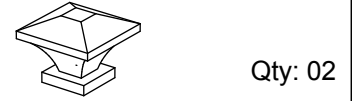
**H**



**I**



**J**



## Step: 4

