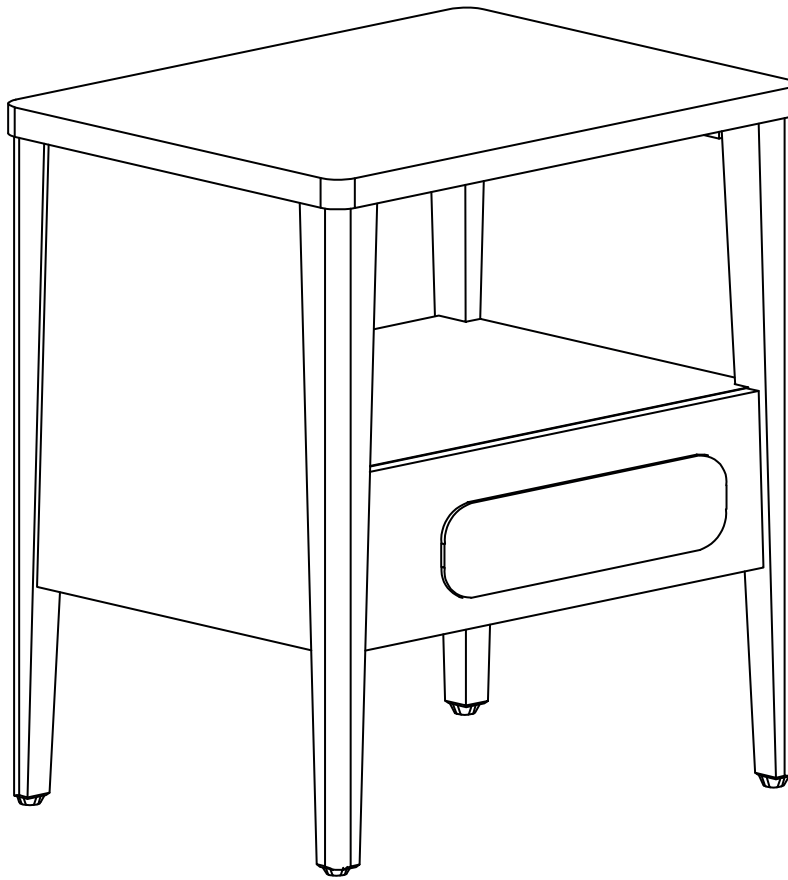


Let's Assemble

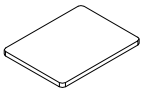
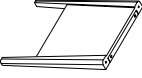
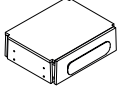

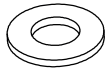
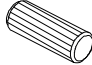

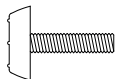
# Thor Nightstand

SKU 310000 / 310010 / 310020





# The parts

Description	Qty	
A Top	1	
B Leg Frames	2	
C Drawer Box	1	
1 1/4 x 1 inch Hex Button Head Bolt	10	
2 1/4 inch Flat Washer	10	
3 M8 x 20mm Wood Dowel	8 + 2 Extra	
4 Allen Key	1	
5 Leveler	2 Extra	

## What you need

- Use the packaging carton as a working surface to prevent product damage during assembly.

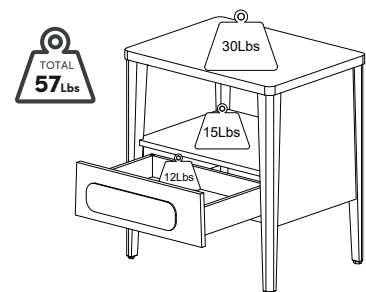
## Estimated time for assembly

**20 minutes**

## Do not use power tools



## Weight Limitation

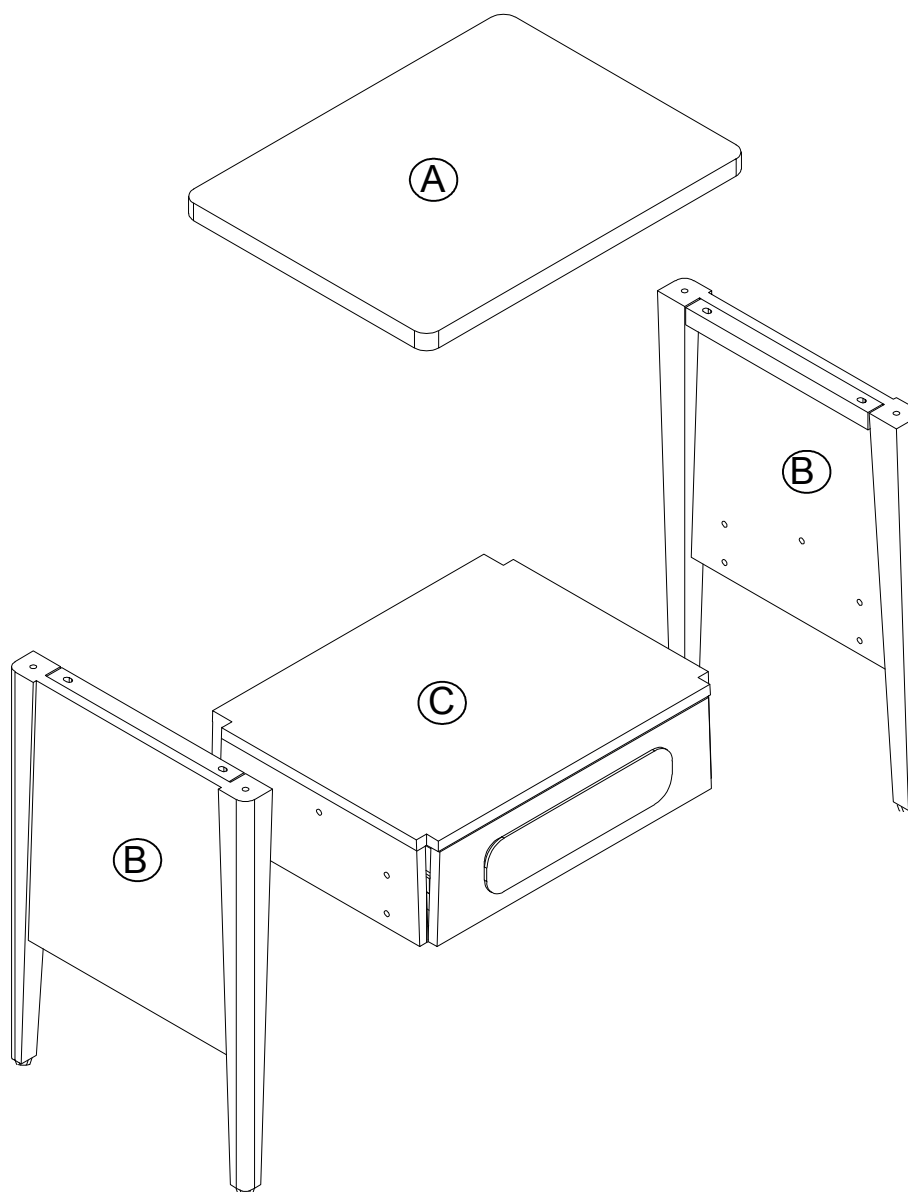


## Need Help?

Toll-free at 1-888-909-5546  
[Help@allforwood.com](mailto:Help@allforwood.com)

# The product

Exploded View

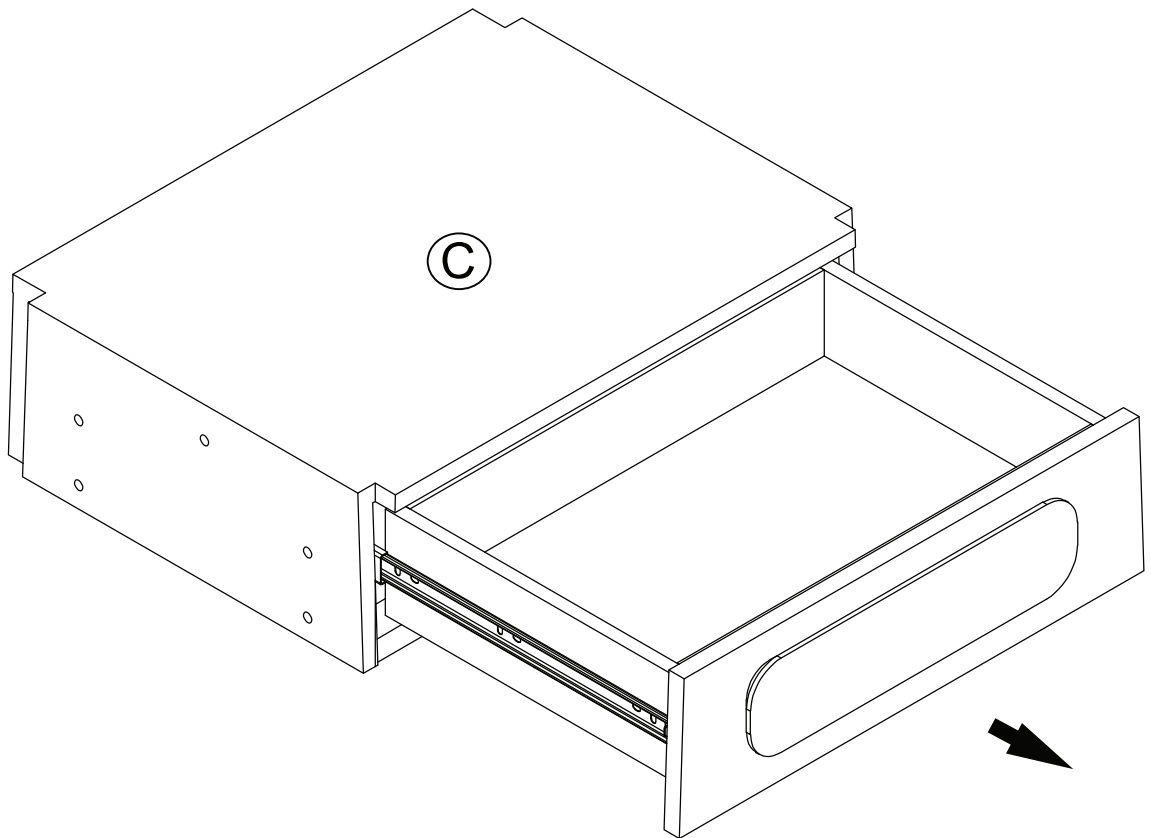


## IMPORTANT

1. Do not tighten bolts completely until all bolts are lined up and inserted into holes.
2. Do not over-tighten bolts to avoid stripping.
3. Please use hand tools to assemble this product. Do not use power tools.

# Step 1

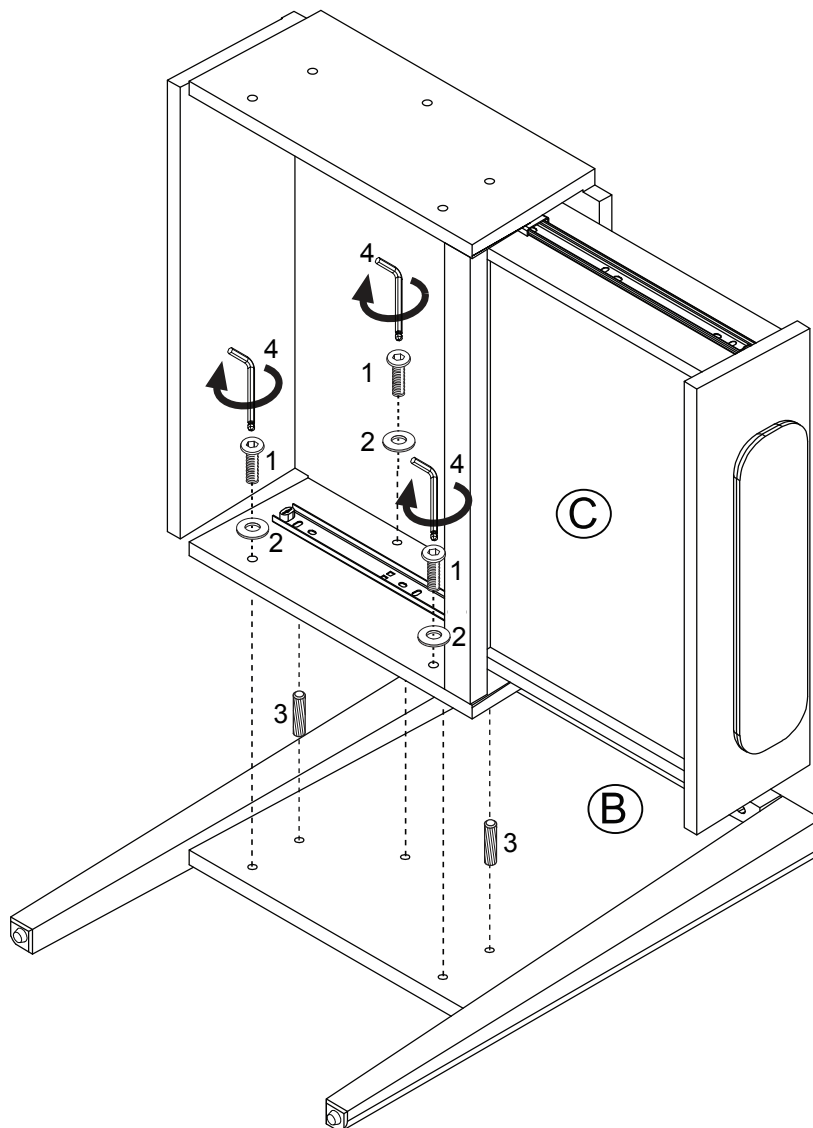
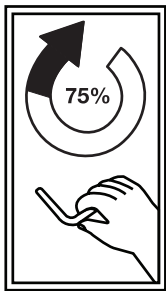
Begin with the Box Drawer (C), open the drawer outwards.



# Step 2

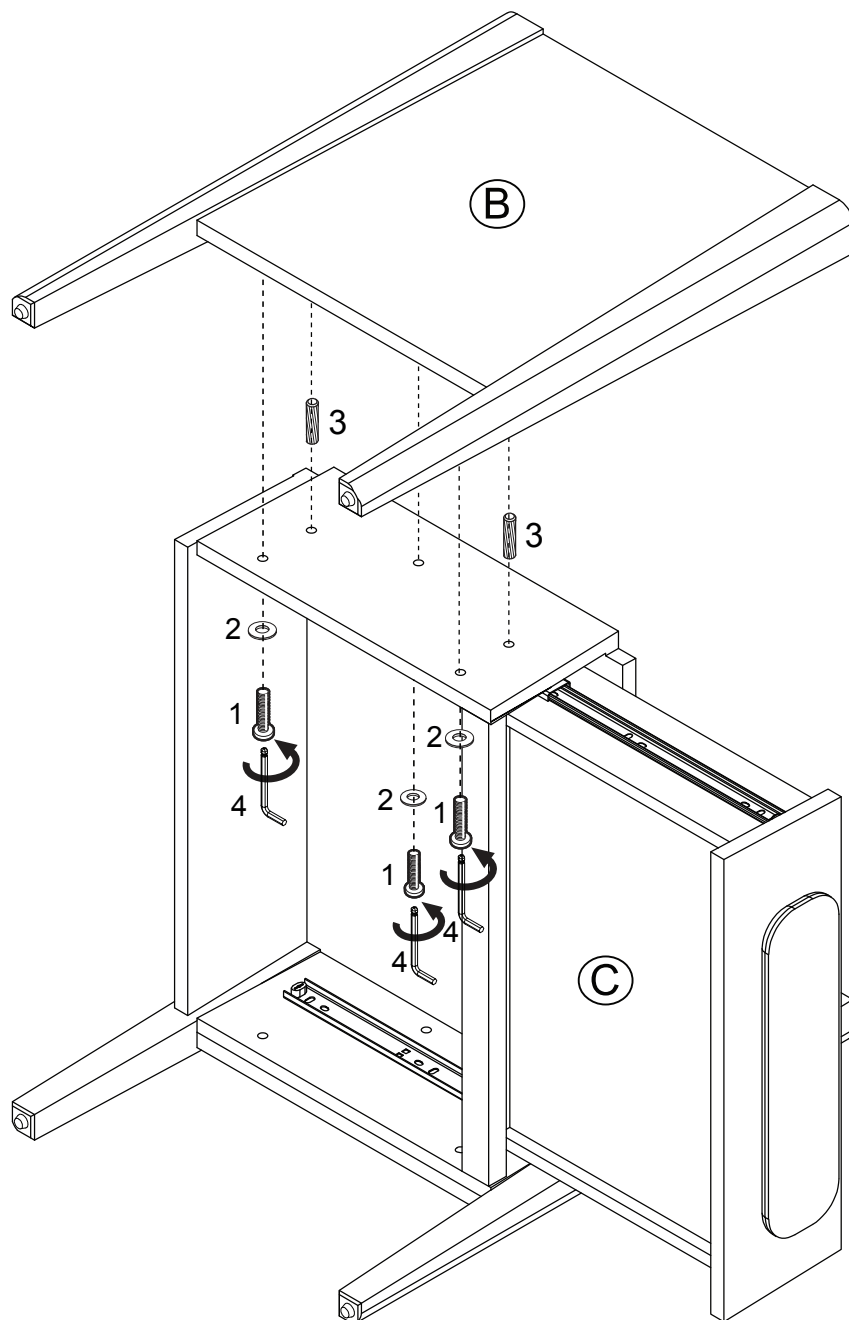
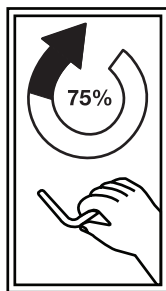
Start with attaching Drawer Box (C) to the Leg Frame (B), making sure the holes on the Drawer Box (C) are properly aligned and facing the Leg Frames (B).

Use the Hex Button Head Bolts (1) and the Flat Washer (2) to secure these components together. Tighten to 75%.



# Step 3

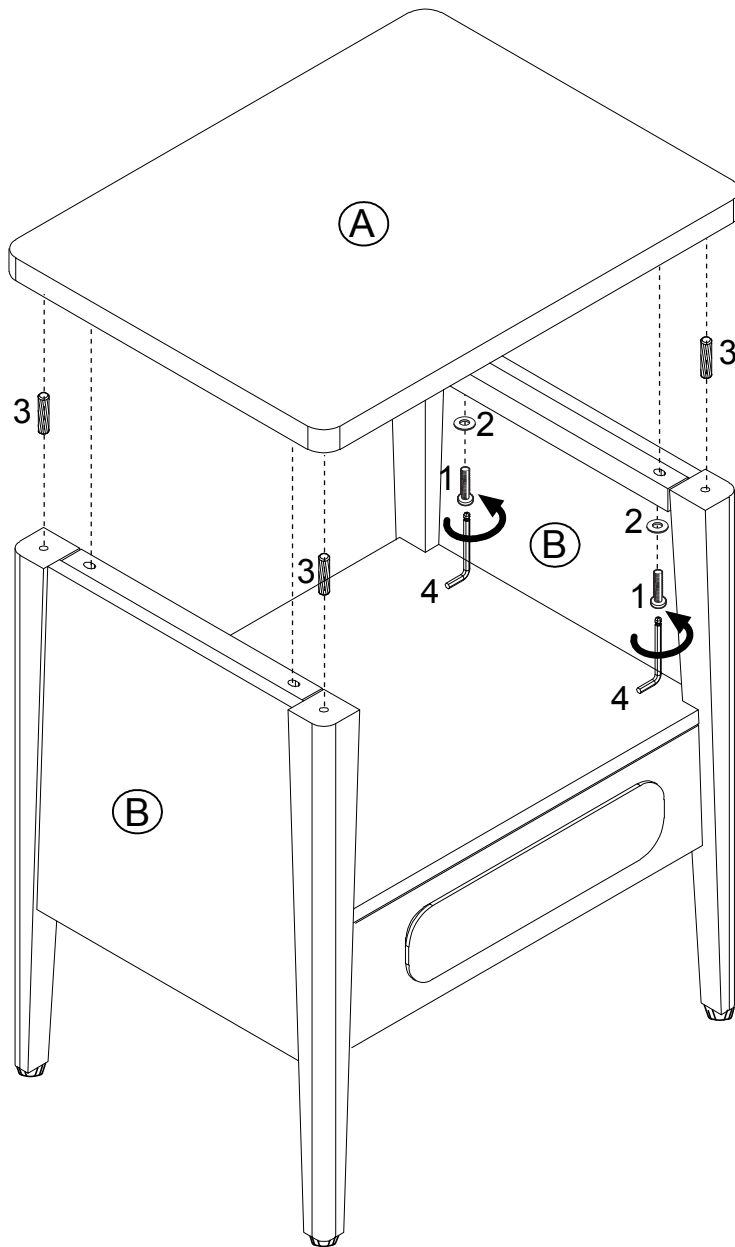
Repeat Step 2 for the remaining Leg Frame (B), also tightening to 75%.



# Step 4

Carefully lift the nightstand onto a flat surface using both hands on both sides.

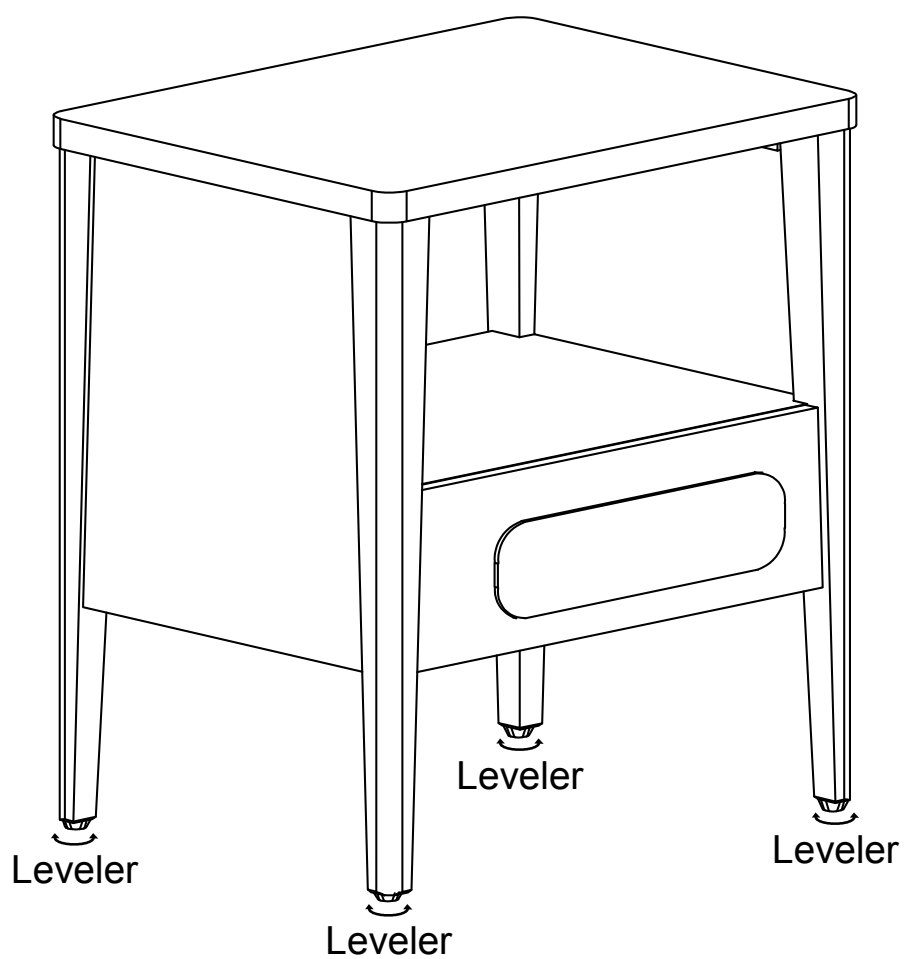
Attach the Top (A) to the unit, use the Hex Button Head Bolts (1) and the Flat Washer (2), as well as the provided Allen Key (4) to secure these components together and tighten them fully.



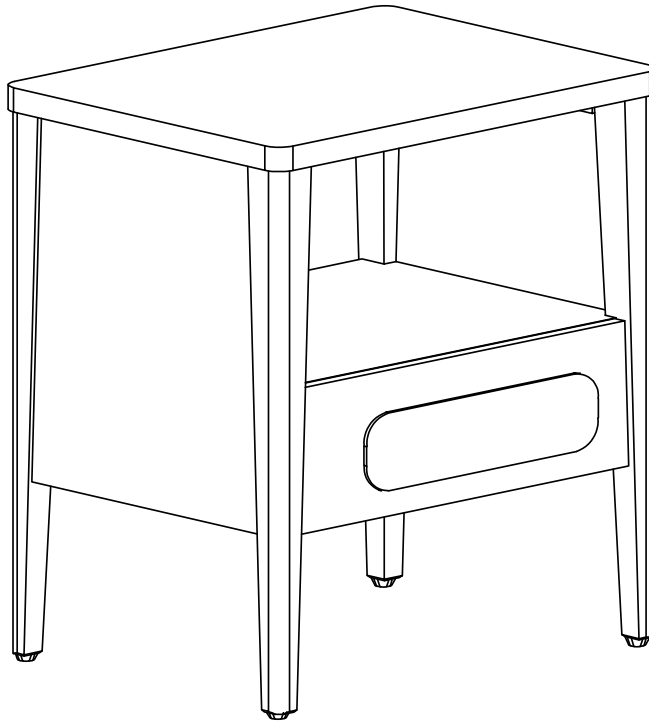
# Step 5

Fully tightening everything to 100%.

Ensure all legs are touching the ground by using Leveler.



# Ready to use



## Prioritize safety

For detailed care and maintenance instructions for the nightstand and wood, please visit our website at [allforwood.com/product](https://www.allforwood.com/product).

- |                   |   |
|-------------------|---|
| <b>Proper use</b> | <ul style="list-style-type: none"><li>DO NOT - Modify the structure of this product</li><li>DO NOT - Use for commercial purposes</li><li>DO NOT - Leave spilled liquids on the nightstand</li><li>DO NOT - Use the nightstand if it is damaged</li><li>DO NOT - Perform temporary repairs</li><li>DO NOT - Use outdoors</li></ul> |
|-------------------|---|

# The return

Stress-free returns when we take care of it.

Feel free to call us at

**1-888-909-5546**

or send us a message at

**help@allforwood.com**

We'll provide you with a hassle-free replacement at no cost.

## Replacement



Give us a call or email



Replacement



You

## Return



Re-package item



Schedule pick up



Track package



Replacement



You

We really want to save you the trouble of re-packaging and returning your item, because let's be honest, no one has time for that.

# Warranty

This product includes a specific warranty period starting from the purchase date.  
To register your product, simply scan the QR code with your phone

**Scan me!**

For Warranty



**Need Help?**

Toll-free at 1-888-909-5546

Help@allforwood.com

www.allforwood.com