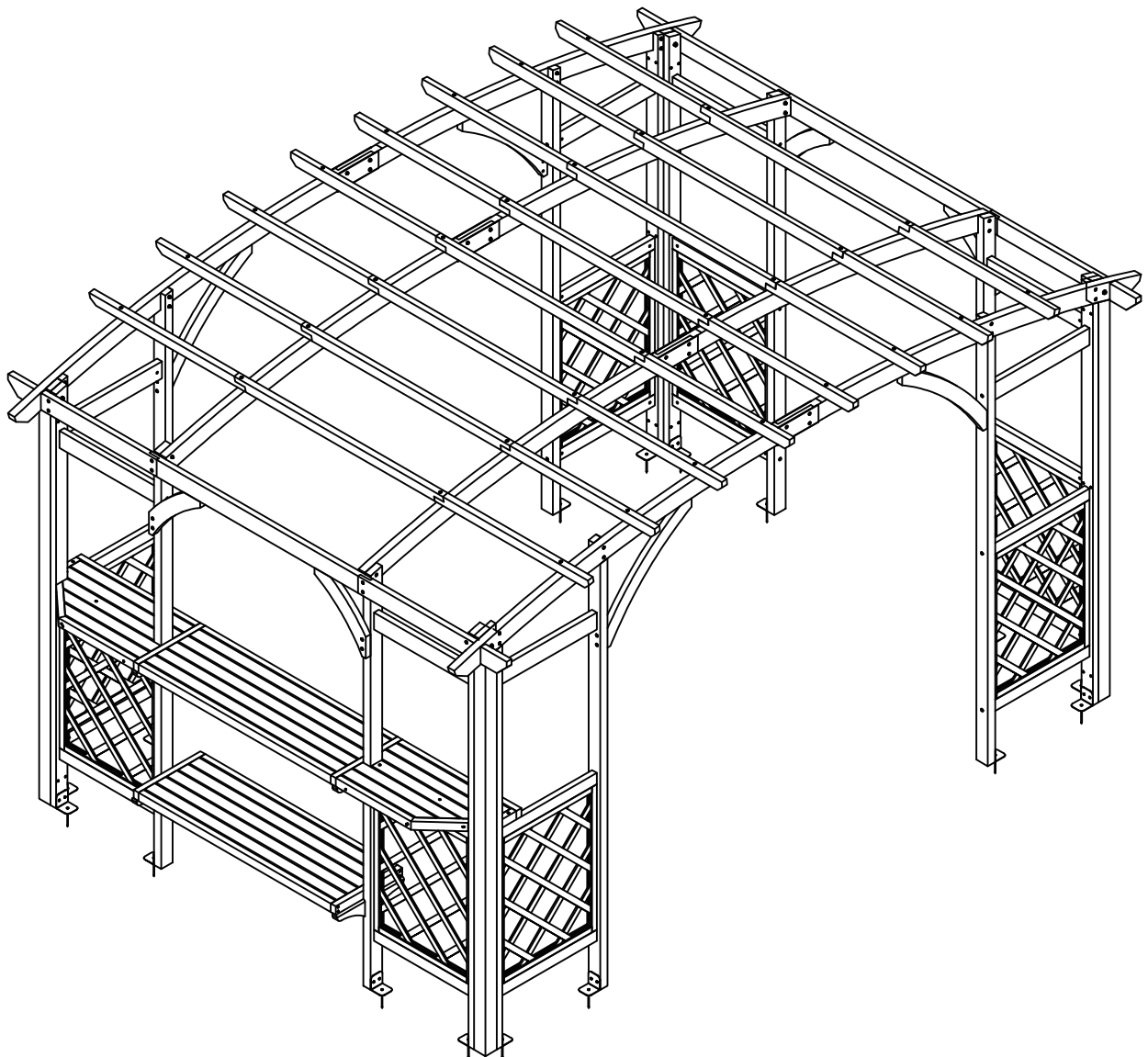


OWNER'S MANUAL

10' X 14' WOOD OUTDOOR PERGOLA



Contact Us

If you have any questions,
Please contact customer service.

Email: service@brzpatio.com

Scan the QR code to watch the installation video.



SAFETY PRECAUTIONS

WARNING



Please read and understand this entire manual before attempting to assemble or install this product.



Some parts may have sharp edges. Please wear protective gloves when assembling or installing this product.



Before beginning assembly, choose and measure out the location on which you want to place your pergola. Make sure your space is large enough. Then, find a large and convenient assembly area where you can lay out and pre-assemble all parts for your Pergola.



Children and pets should be kept from your assembly area if possible. Supervise children and pets if they are in the assembly area.



This item is heavy. Please handle with care. Two or more people are required for this assembly.

CAUTION

★ Check every part against the part list before beginning your assembly. If any part is missing or damaged, do not attempt to assemble the product. Instead, please contact us.

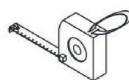
★ TOOLS RECOMMENDED :



Drill / Driver



Tool Belt



Tape Measure



8' Step Ladder



Safety Gloves



Carpenter's Level



Square



Safety Glasses



Hard Hat

★ Once a unit has been pre-assembled as per the instructions, set it aside until later

★ We care about your experience. Please feel free to contact us if you have any questions or issues. We will try to offer you efficient solutions ASAP.

WARRANTY COVERAGE REQUIREMENTS:

★ Pictures of the damaged parts.

★ The order number of your product.

★ Please gather all of this information BEFORE you contact us.

★ Do not use this item in a way inconsistent with the manufacturer's instructions, as this could void the product warranty.

Email:
service@brzpatio.com

PRODUCT WARRANTY INSTRUCTION



Free Warranty Period:

The free warranty period starts from the product receipt date and lasts one year.



Coverage during the Free Warranty Period:

1. If any components of the purchased product are damaged due to non-human-induced reasons natural wear and tear excluded , corresponding new parts will be replaced free of charge.

2. If the entire purchased product is damaged due to non-human-induced reasons natural wear and tear excluded and cannot be further used, corresponding parts or a brand-new product will be replaced free of charge.



Coverage after the Free Warranty Period:

After the warranty period expires, replacement components will be provided to customers at cost price for continued service.



Additional Services:

After purchasing the product, customers can consult our staff for any product-related inquiries.



Contact Email :

service@brzpatio.com



Contact Phone :

9144101739

ACCESSORIES DISPLAY

A1



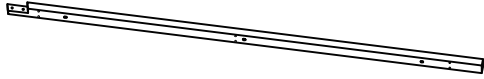
1PC

A2



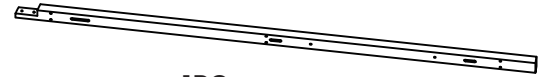
1PC

B1



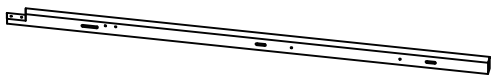
1PC

B2



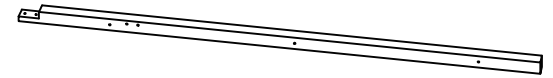
1PC

C1



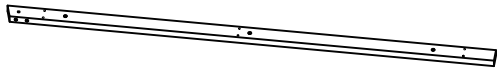
1PC

C2



1PC

D1



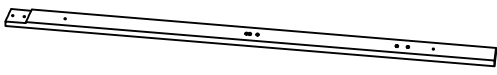
1PC

D2



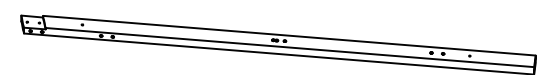
1PC

E1



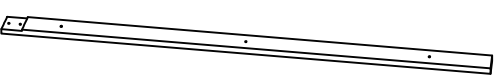
1PC

E2



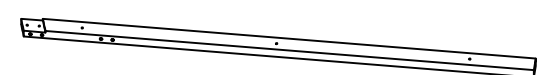
1PC

F1



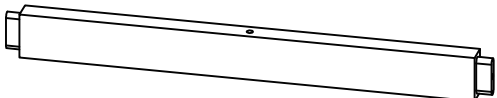
1PC

F2



1PC

G



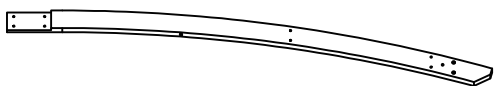
16PCS

H



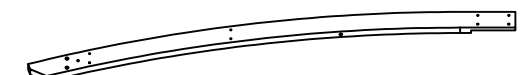
8PCS

I



2PCS

J



2PCS

K



4PCS

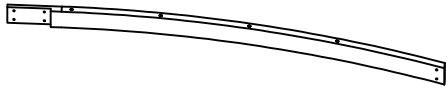
L



2PCS

ACCESSORIES DISPLAY

M



4PCS

N



2PCS

O



2PCS

P



2PCS

Q



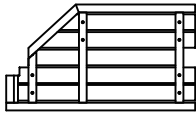
16PCS

R



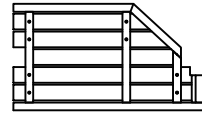
8PCS

S



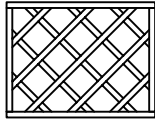
1PC

T



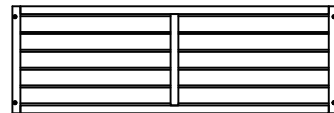
1PC

U



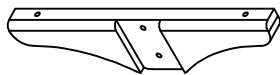
1PC

V



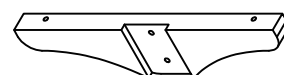
2PCS

W



2PCS

X



2PCS

Y



4PCS

ACCESSORIES DISPLAY

① x32 M3.5*25
+1(spare)



② x48 M4.0*60
+1(spare)



③ x8 M6.0*35
+1(spare)



④ x8 M6.0*45
+1(spare)



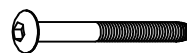
⑤ x24 M6.0*50
+1(spare)



⑥ x16 M6.0*50
+1(spare)



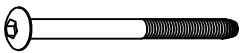
⑦ x8 M6.0*60
+1(spare)



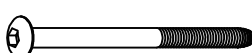
⑧ x60 M6.0*75
+1(spare)



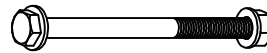
⑨ x24 M6.0*80
+1(spare)



⑩ x36 M6.0*85
+1(spare)



⑪ x4 M8.0*115
+1(spare)



⑫ x48 $\varnothing 8*30$
+1(spare)



wood stick

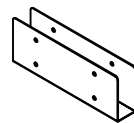
⑬ x56 M3.5*35
+1(spare)



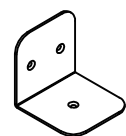
⑭ x24



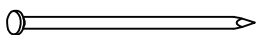
⑮ x4



⑯ x16

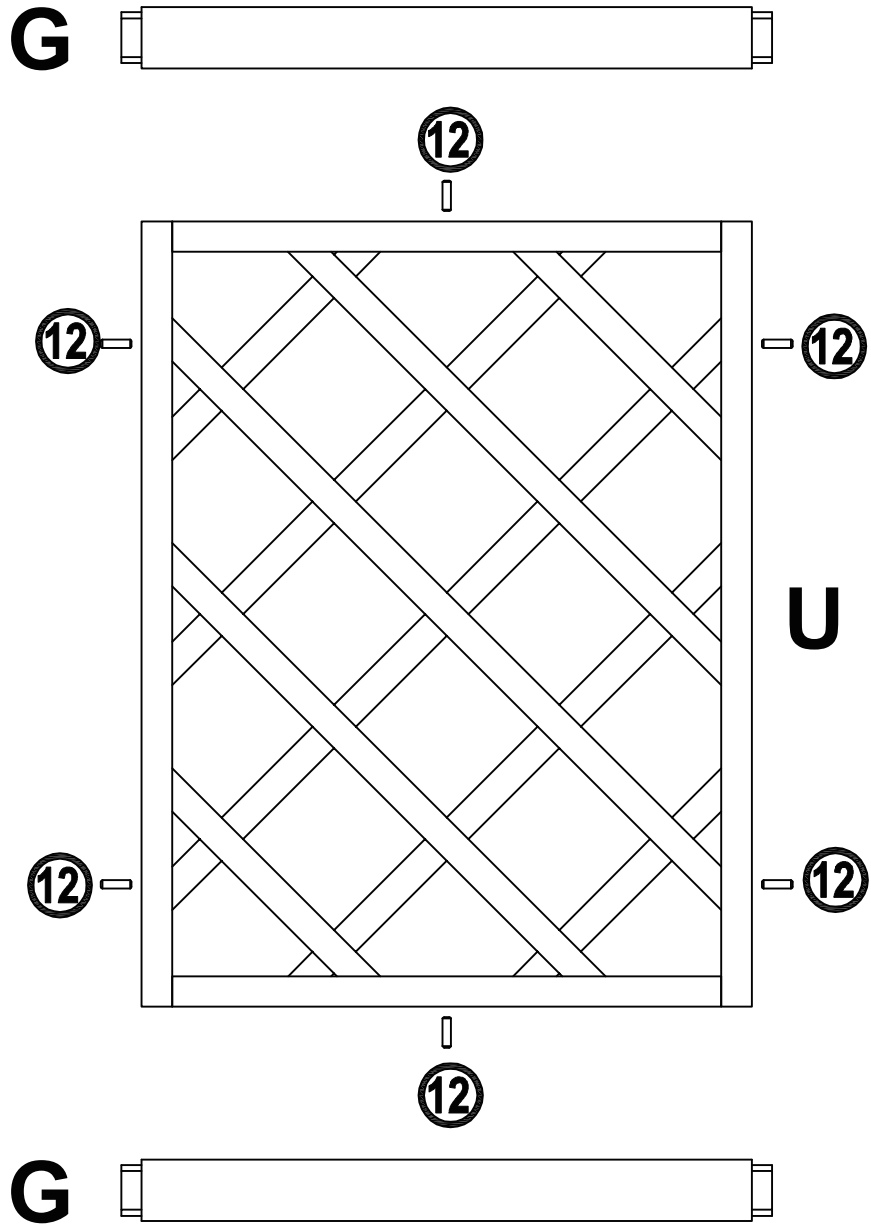
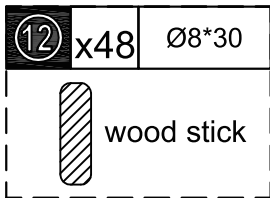
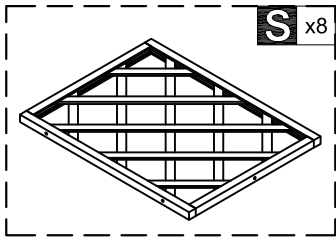
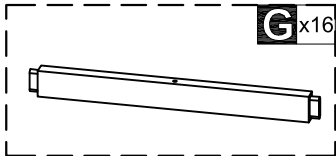


⑰ x16



PRODUCT ASSEMBLY

STEP 1

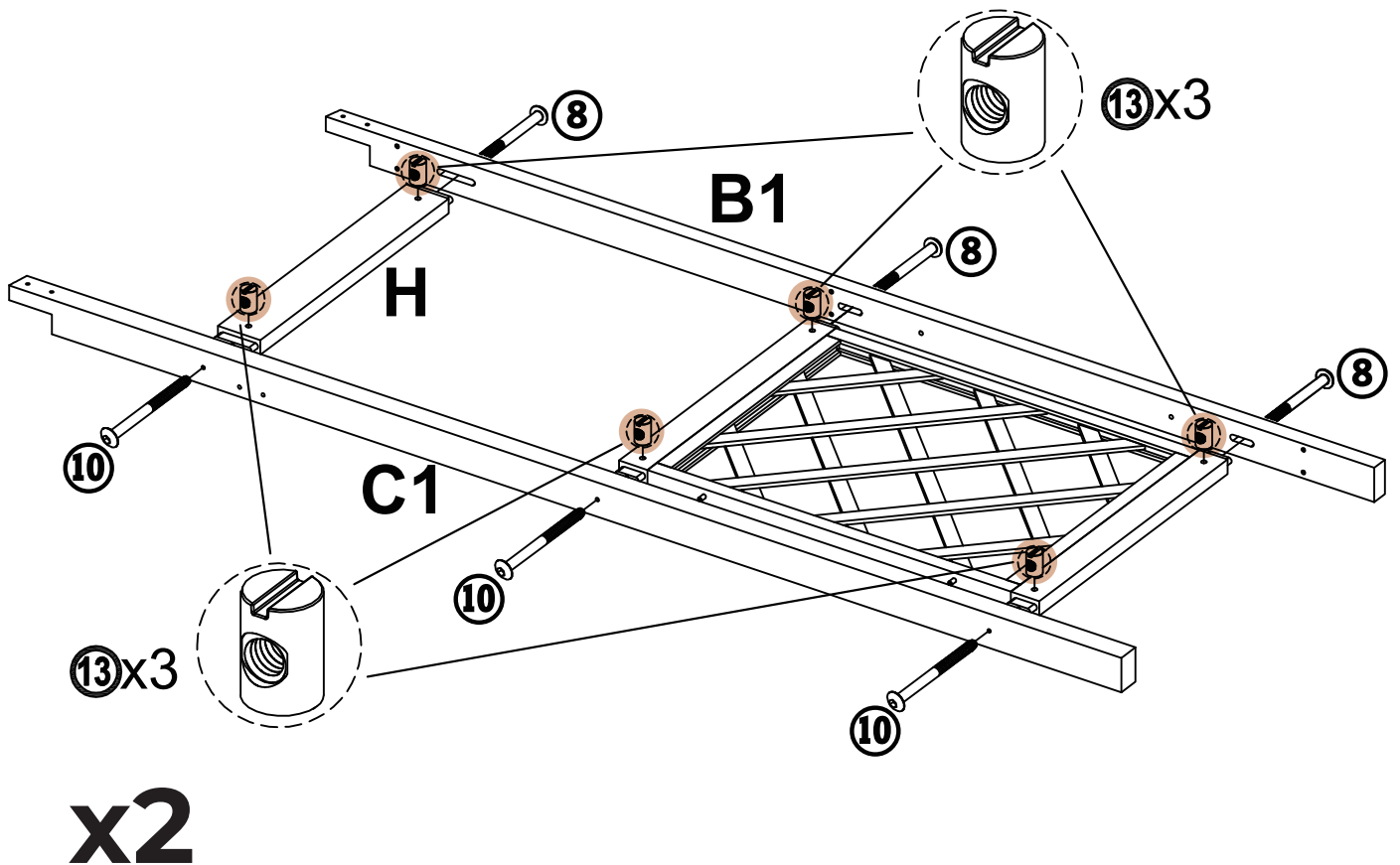
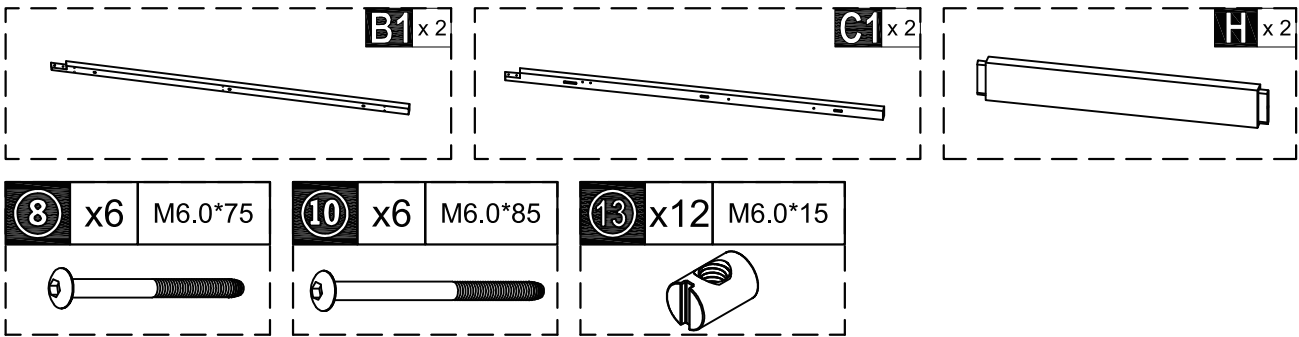


x8

Email:
service@brzpatio.com

PRODUCT ASSEMBLY

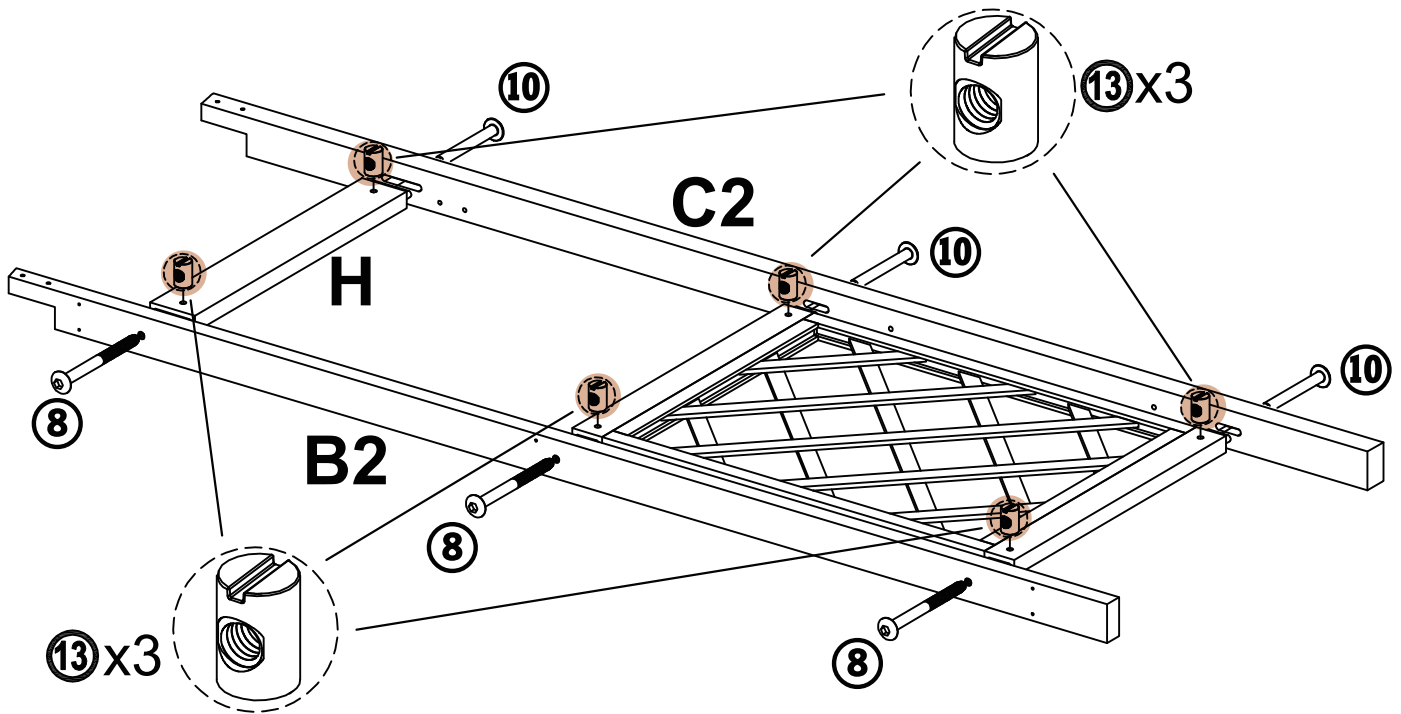
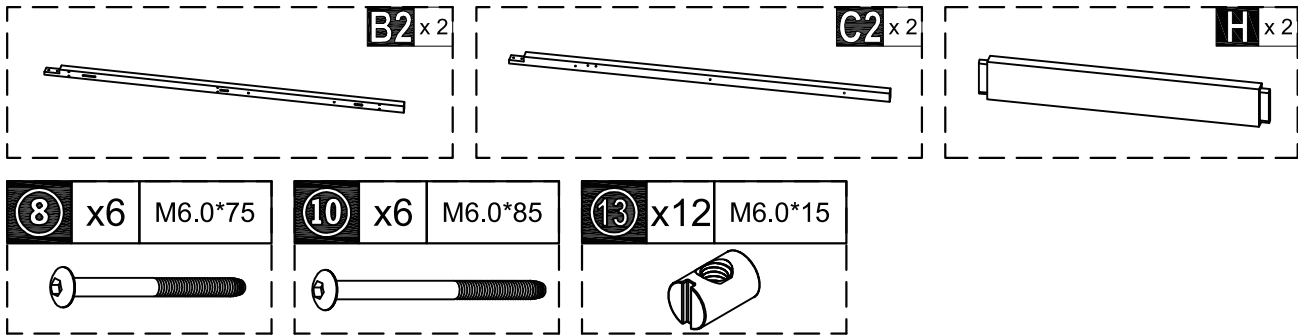
STEP 2



Email:
service@brzpatio.com

PRODUCT ASSEMBLY

STEP 3

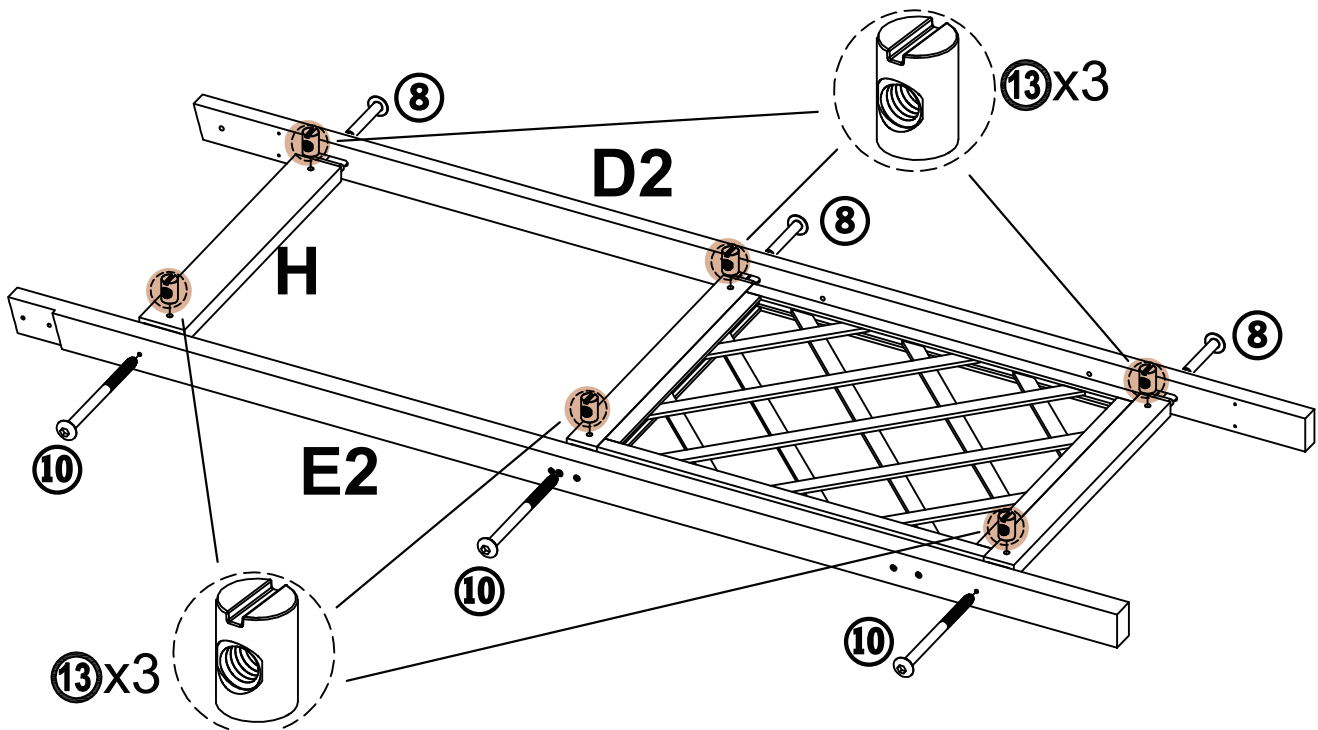
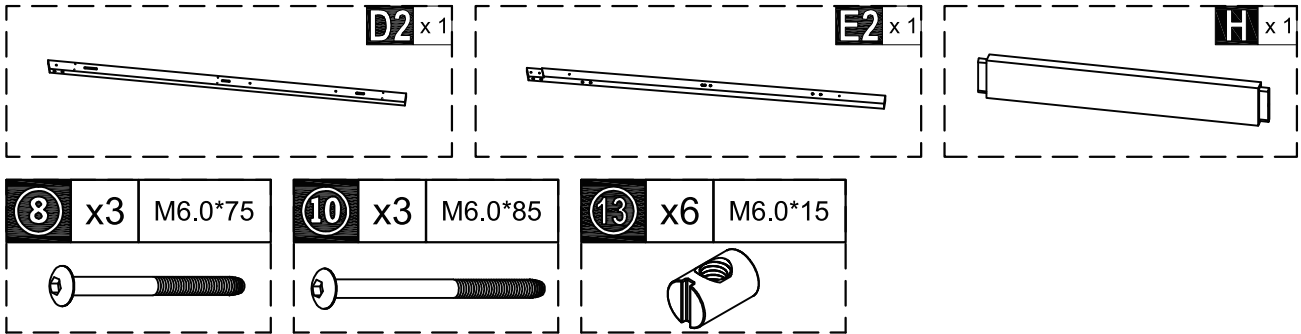


x2

Email:
service@brzpatio.com

PRODUCT ASSEMBLY

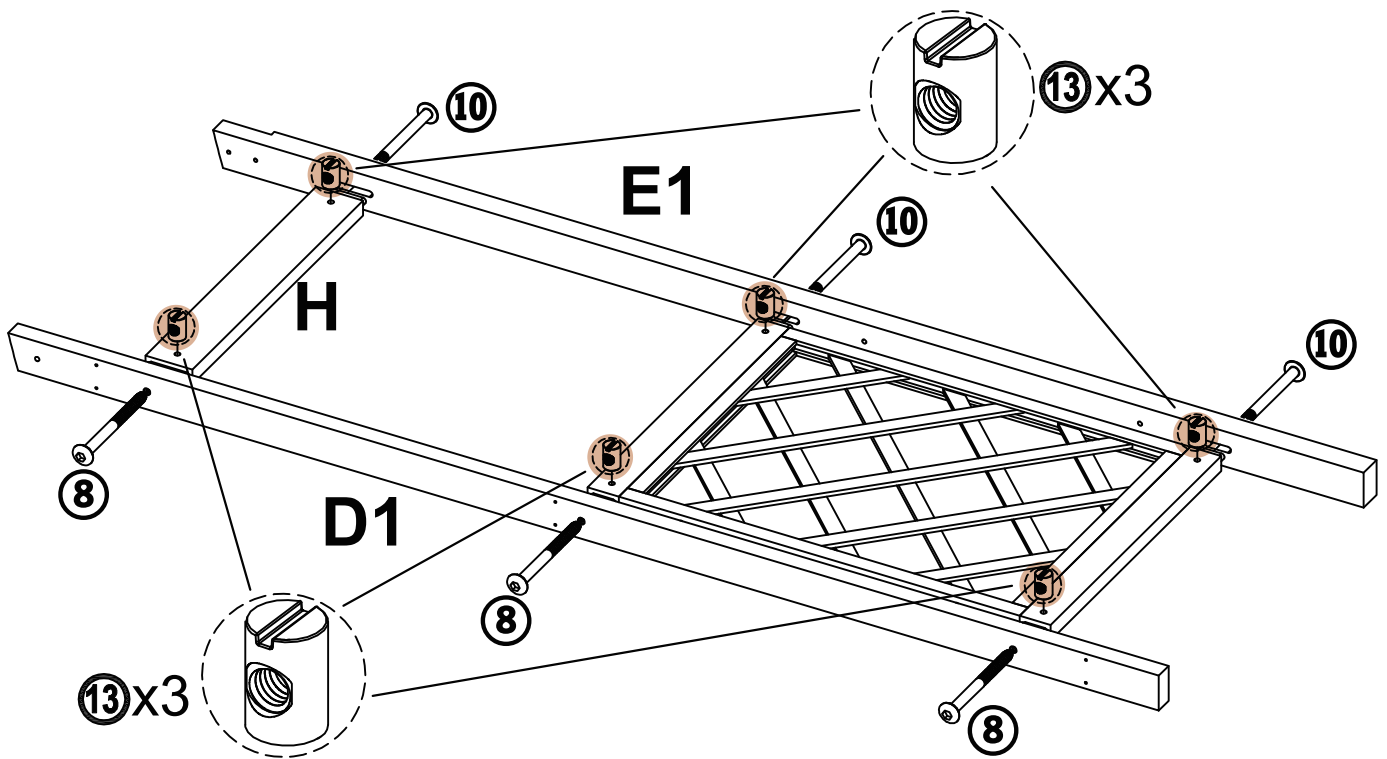
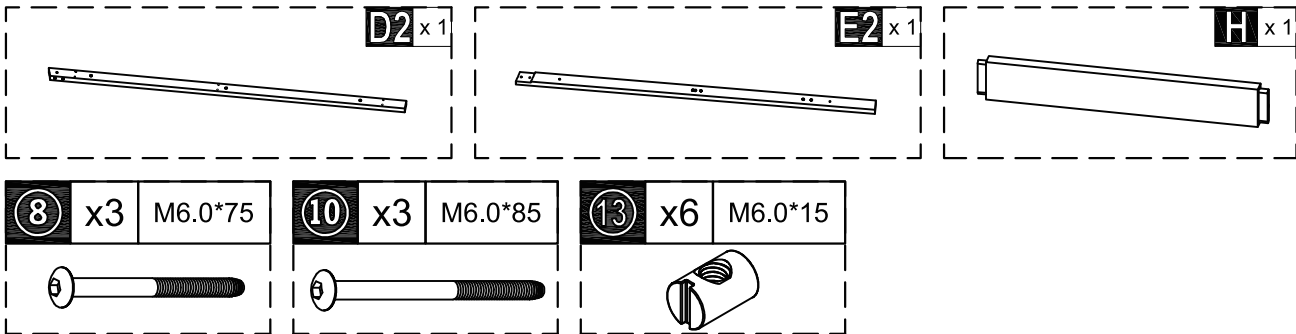
STEP 4



Email:
service@brzpatio.com

PRODUCT ASSEMBLY

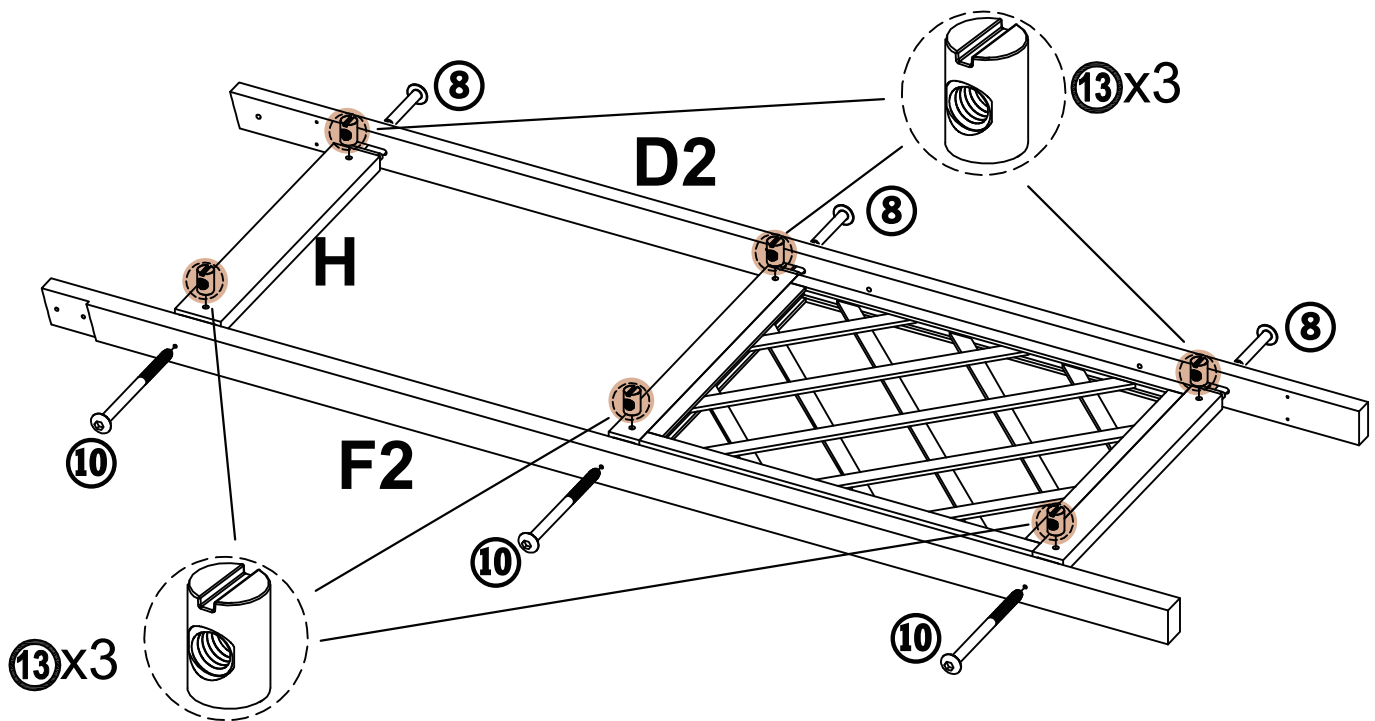
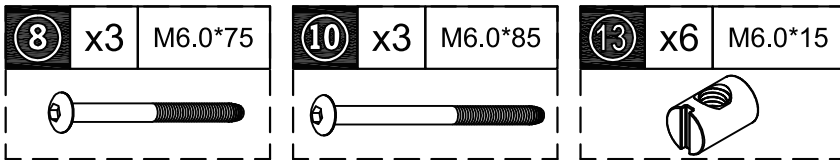
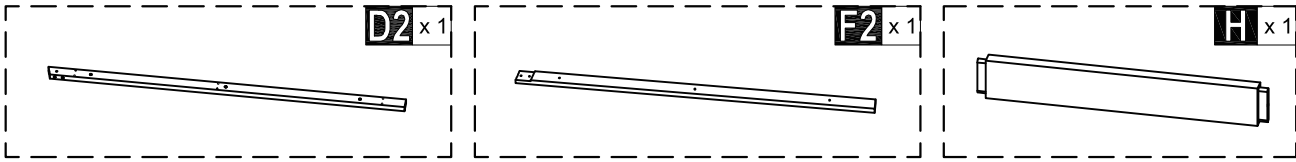
STEP 5



Email:
service@brzpatio.com

PRODUCT ASSEMBLY

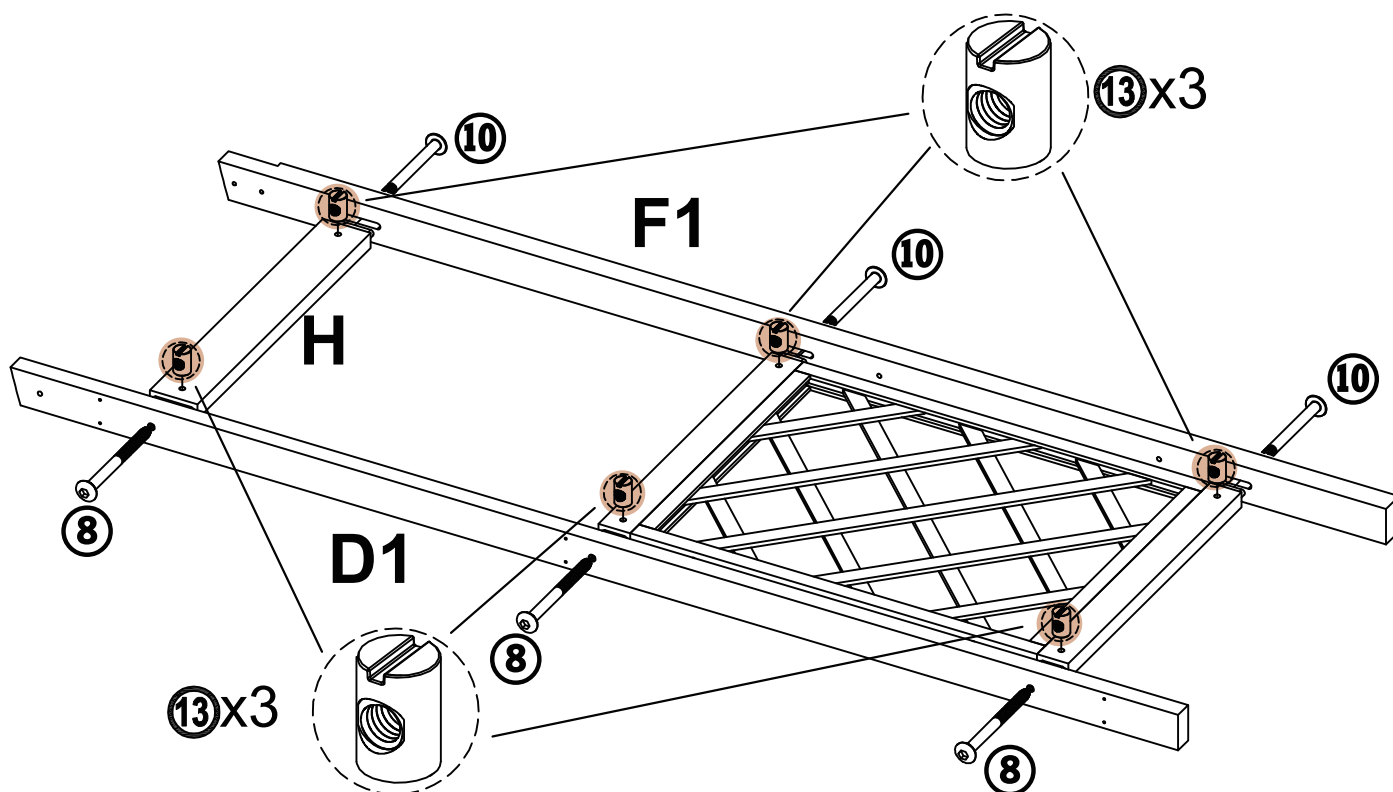
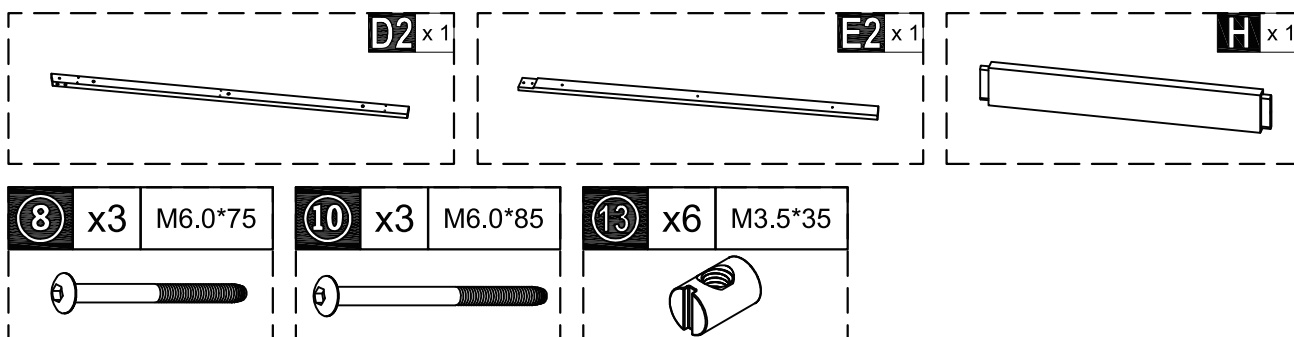
STEP 6



Email:
service@brzpatio.com

PRODUCT ASSEMBLY

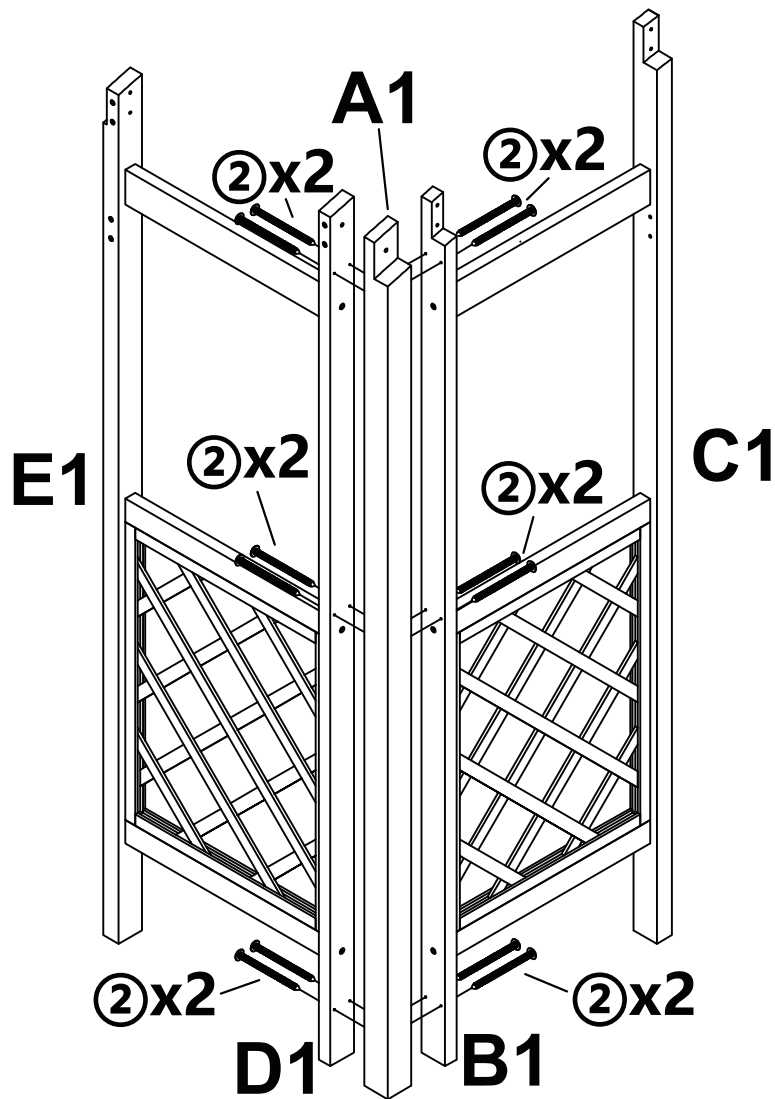
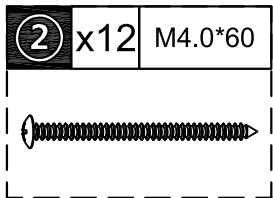
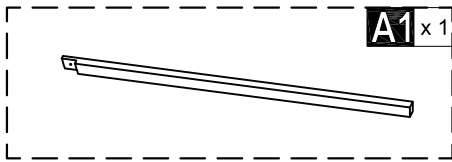
STEP 7



Email:
service@brzpatio.com

PRODUCT ASSEMBLY

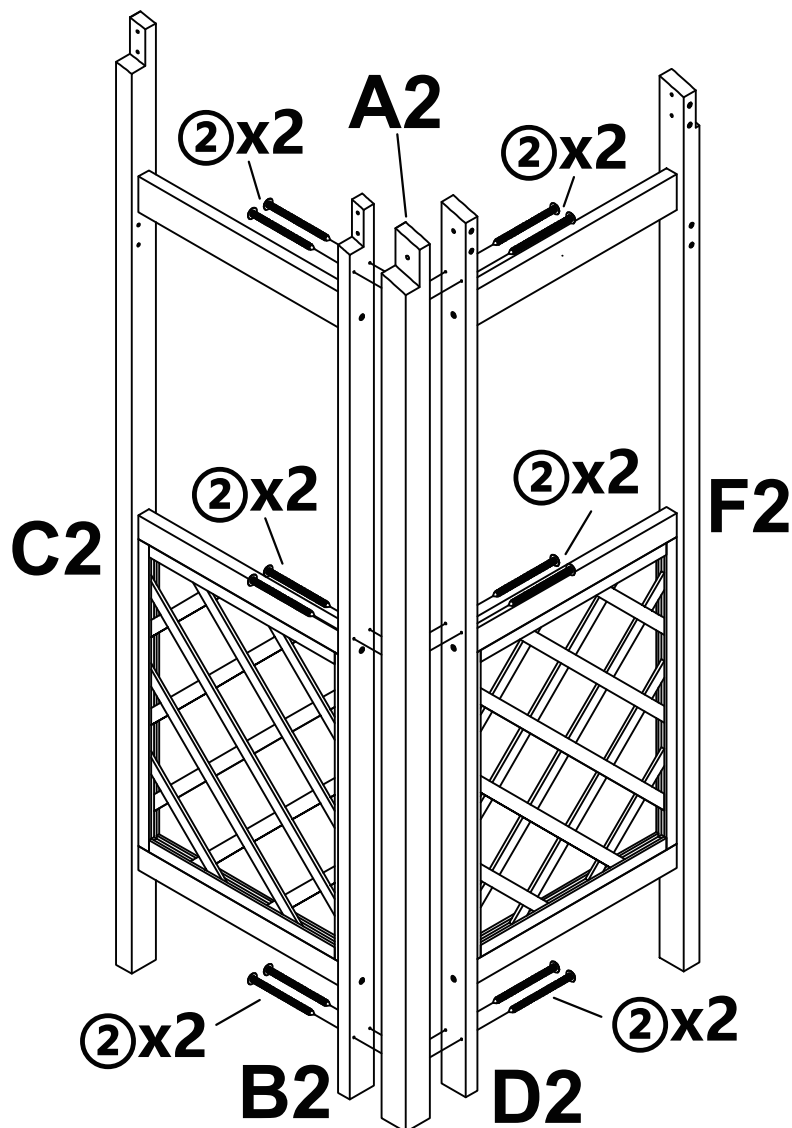
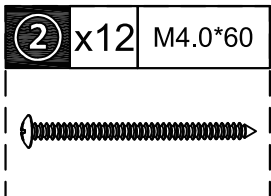
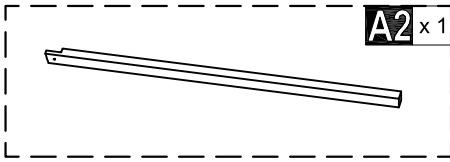
STEP 8



Email:
service@brzpatio.com

PRODUCT ASSEMBLY

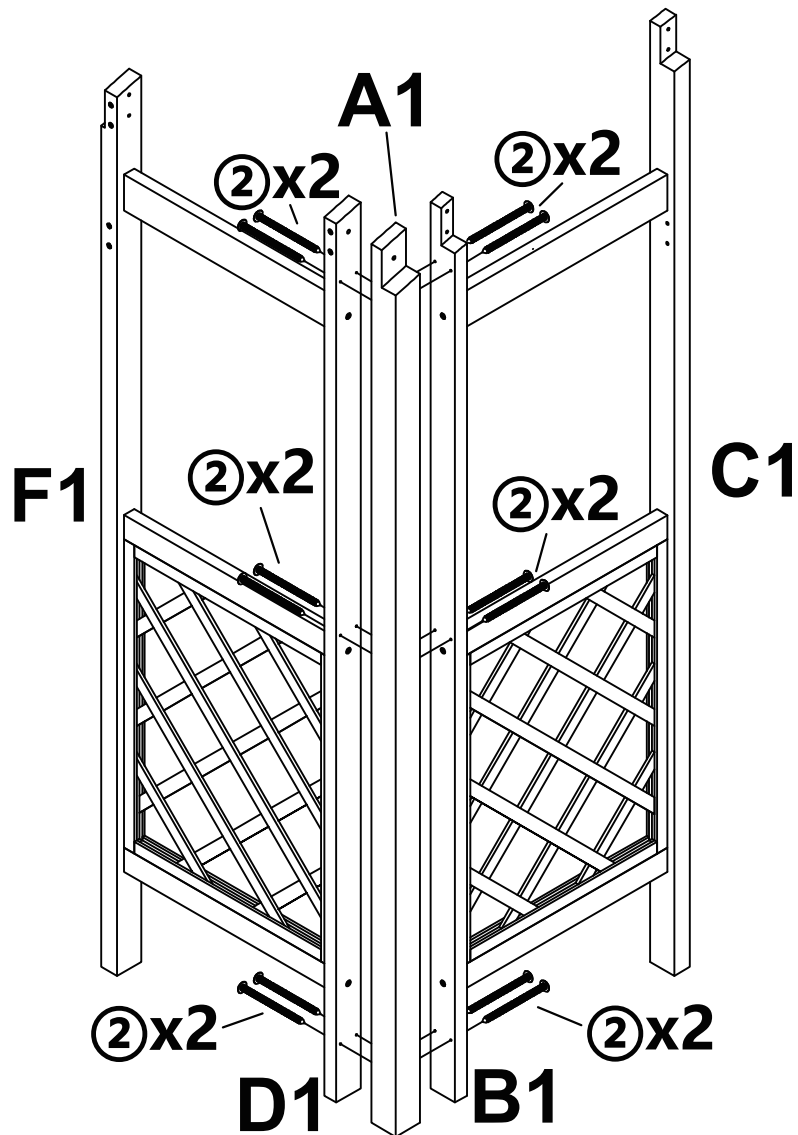
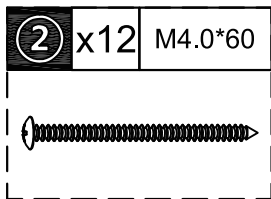
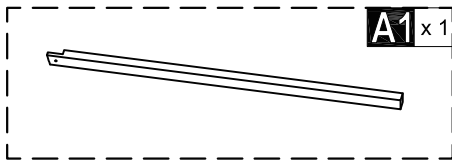
STEP 9



Email:
service@brzpatio.com

PRODUCT ASSEMBLY

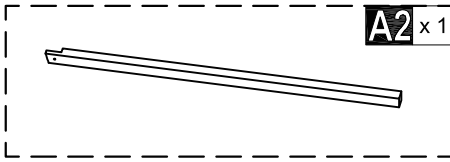
STEP 10



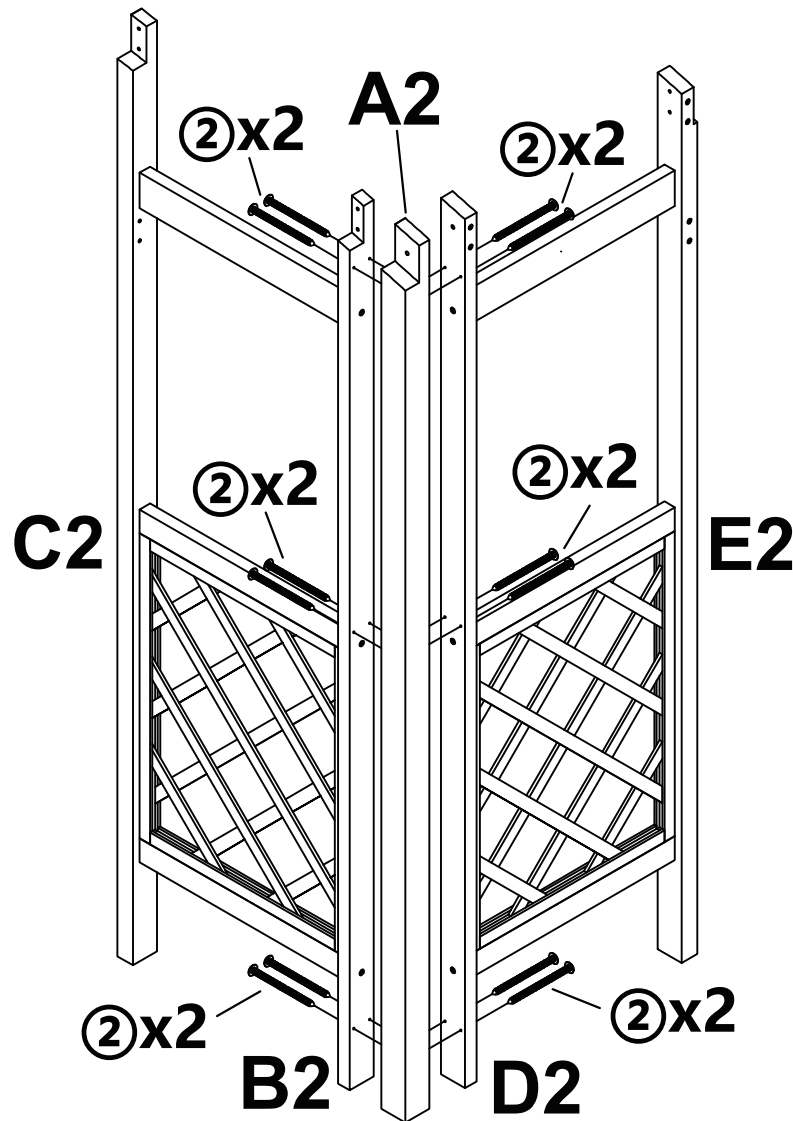
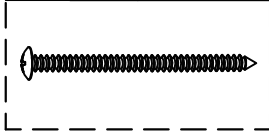
Email:
service@brzpatio.com

PRODUCT ASSEMBLY

STEP 11



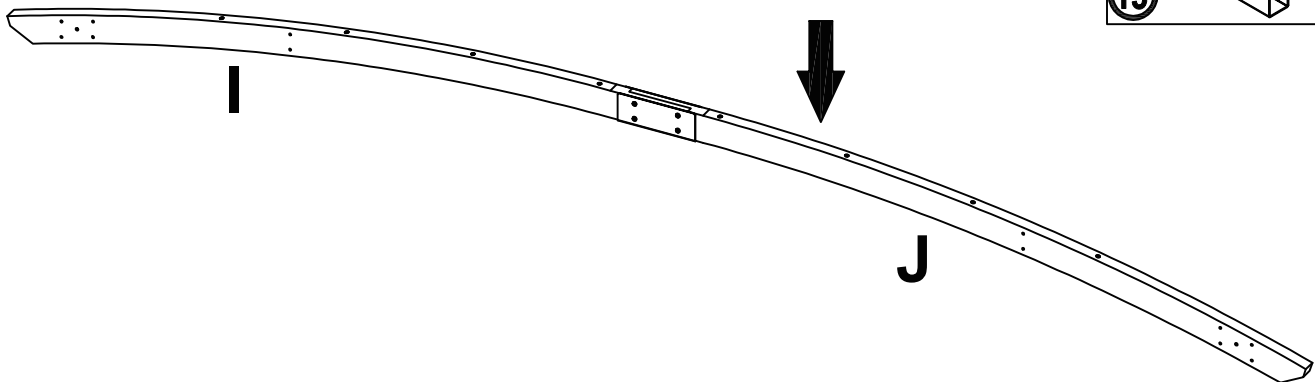
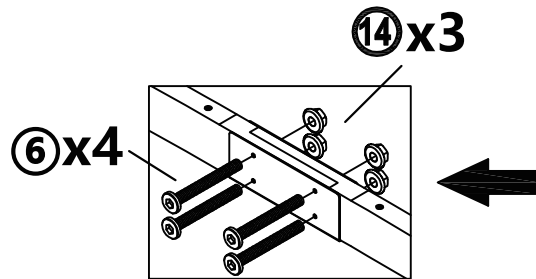
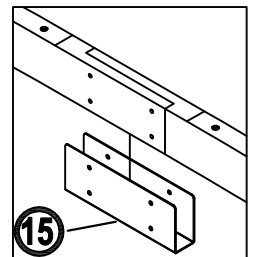
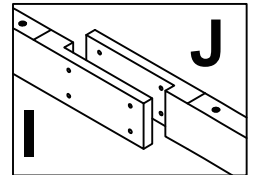
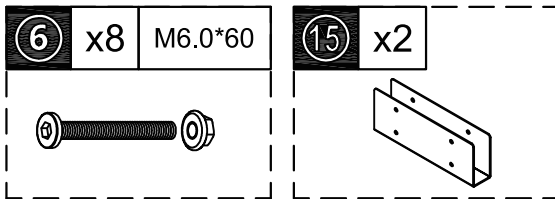
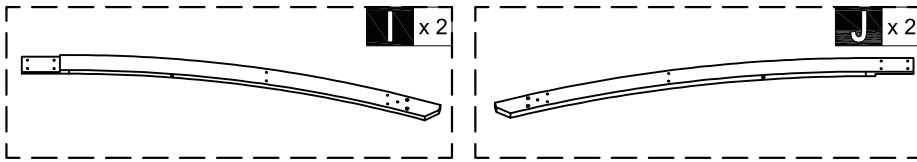
2 x 12 M4.0*60



Email:
service@brzpatio.com

PRODUCT ASSEMBLY

STEP 12

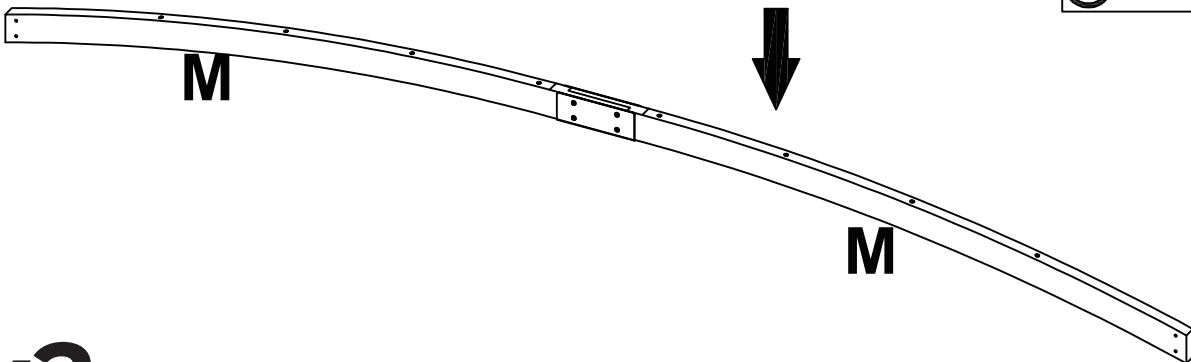
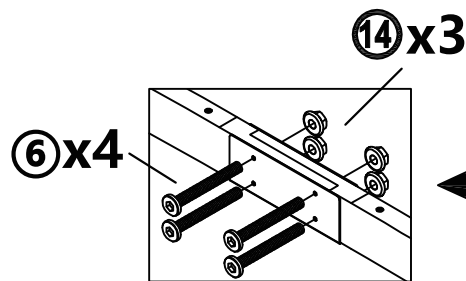
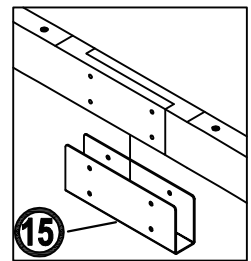
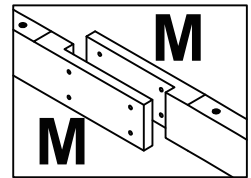
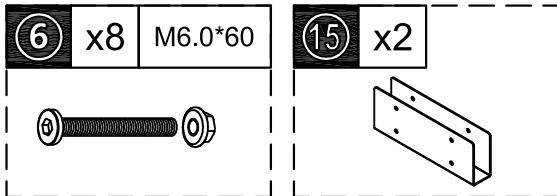
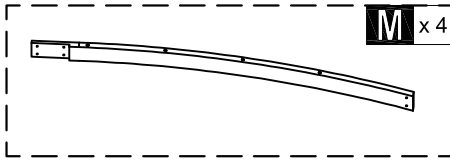


x2

Email:
service@brzpatio.com

PRODUCT ASSEMBLY

STEP 13

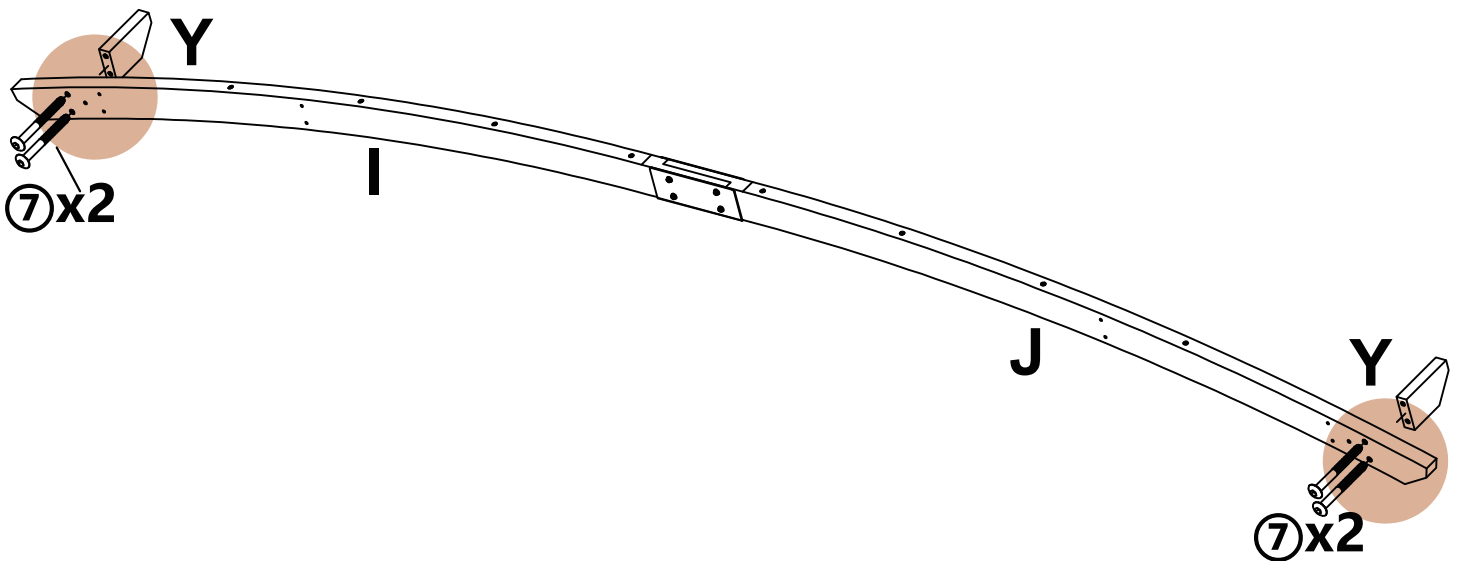
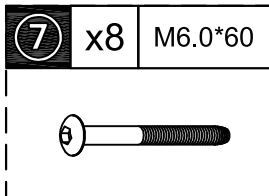
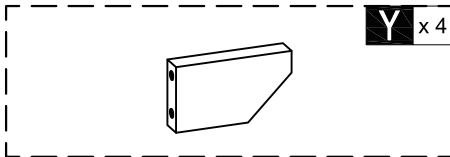


x2

Email:
service@brzpatio.com

PRODUCT ASSEMBLY

STEP 14

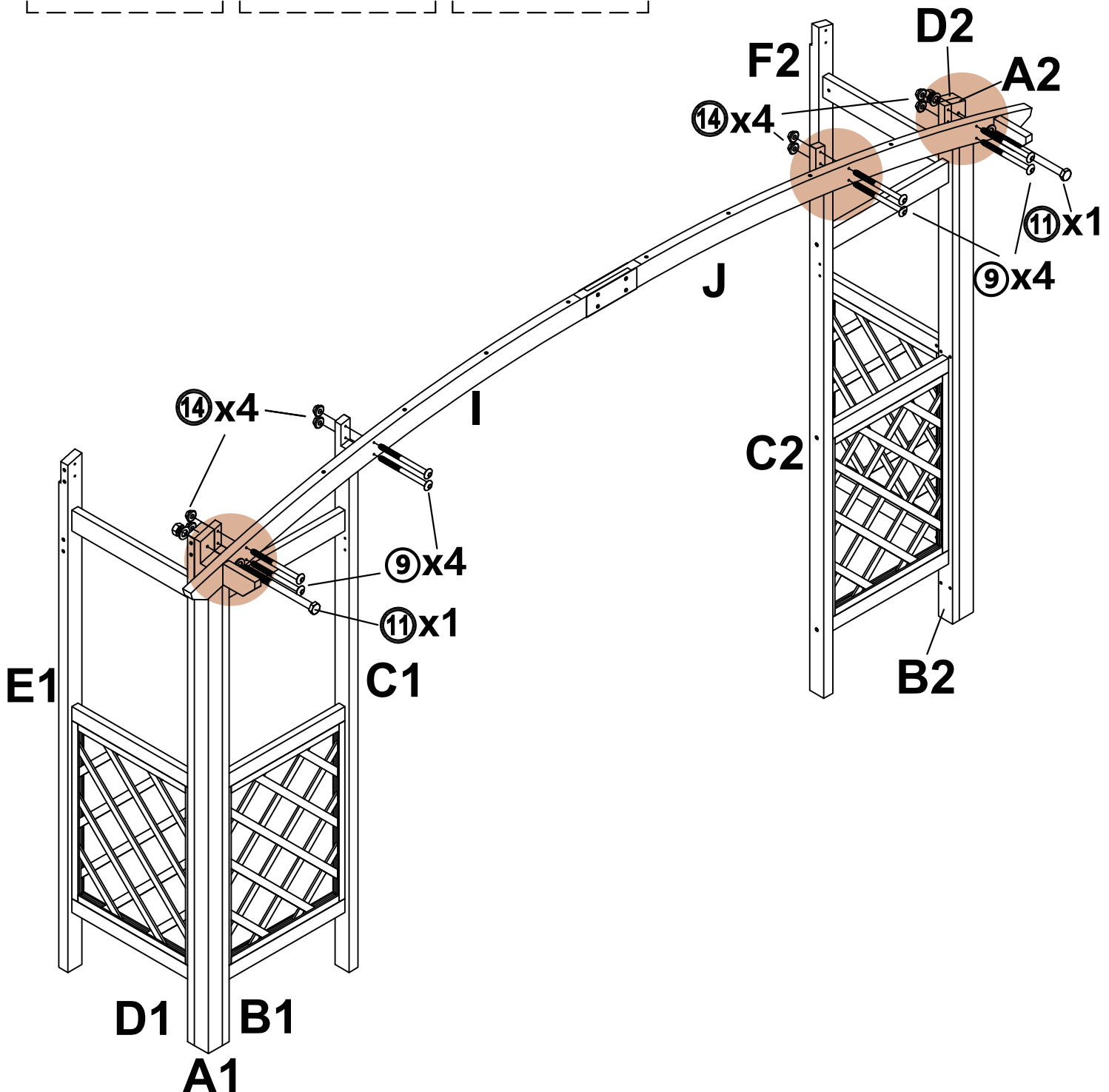
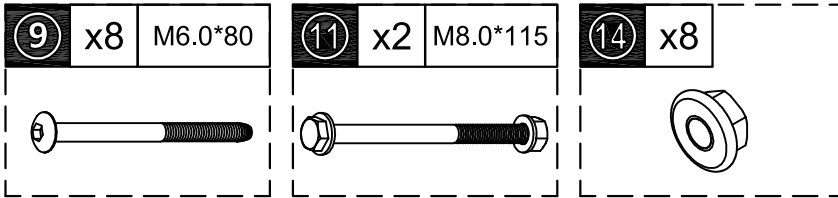


x2

Email:
service@brzpatio.com

PRODUCT ASSEMBLY

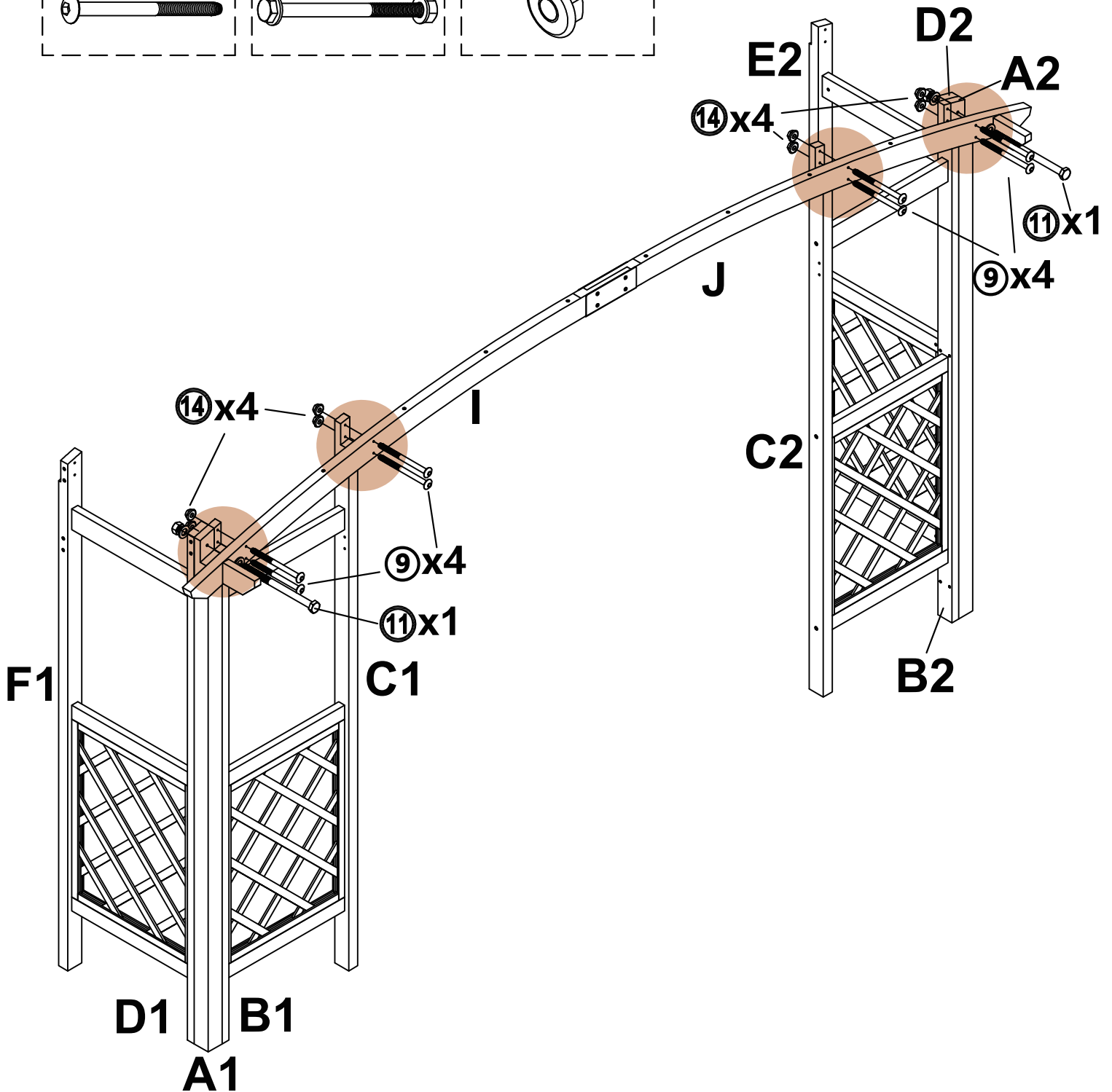
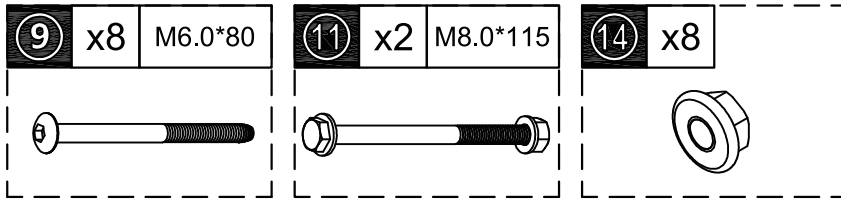
STEP 15



Email:
service@brzpatio.com

PRODUCT ASSEMBLY

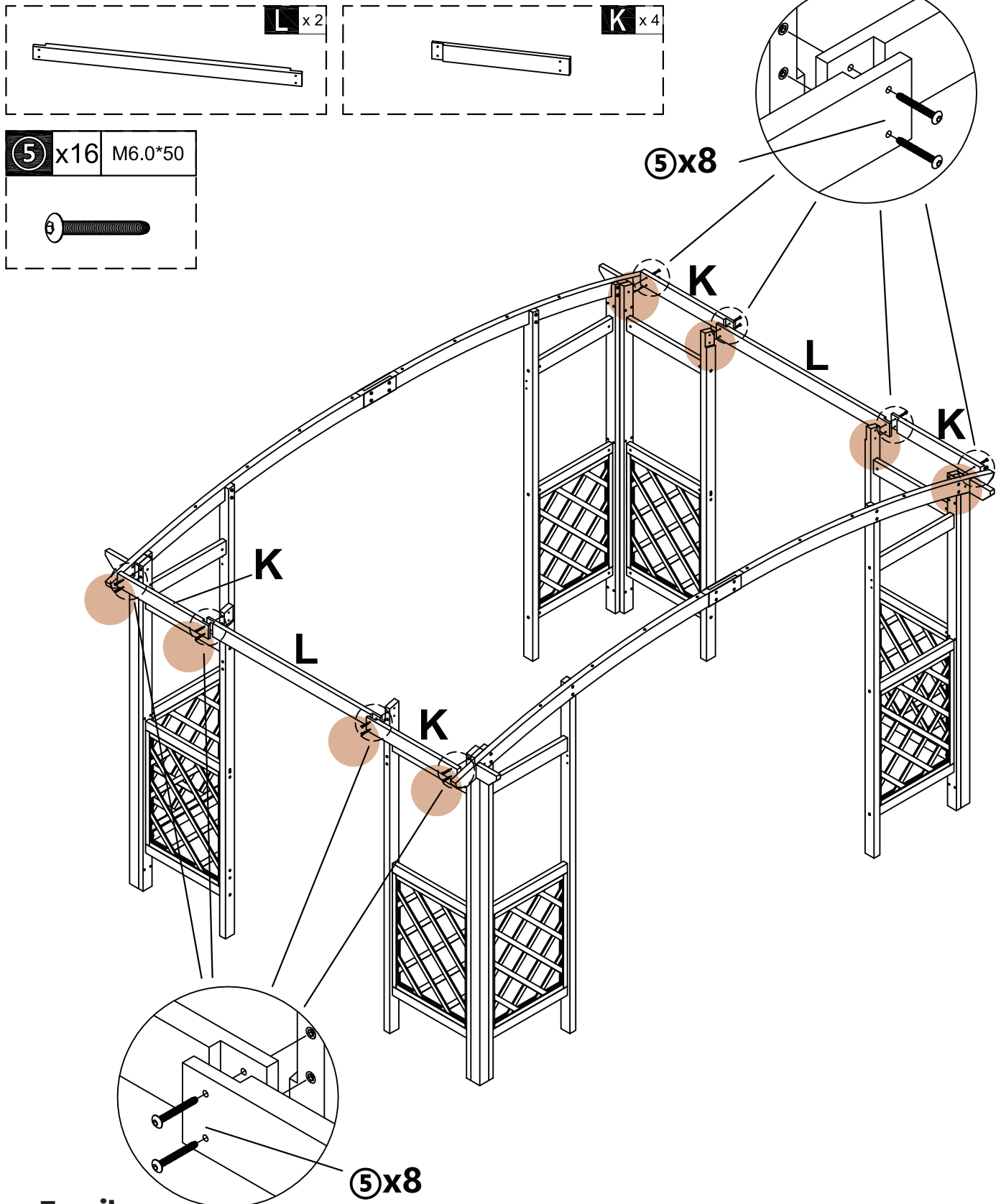
STEP 16



Email:
service@brzpatio.com

PRODUCT ASSEMBLY

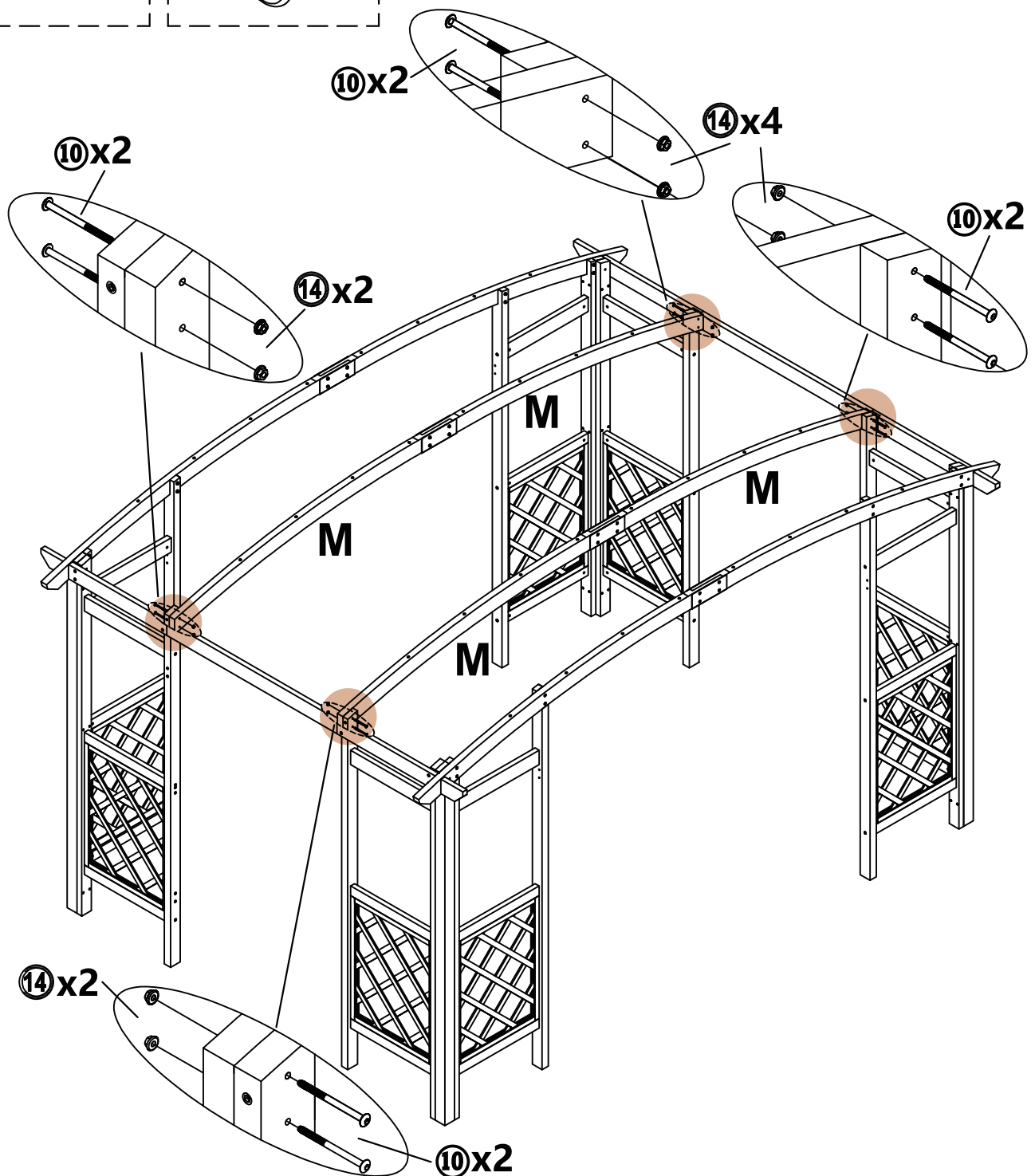
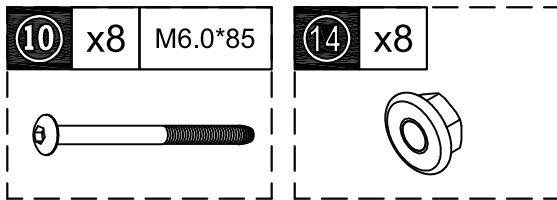
STEP 17



Email:
service@brzpatio.com

PRODUCT ASSEMBLY

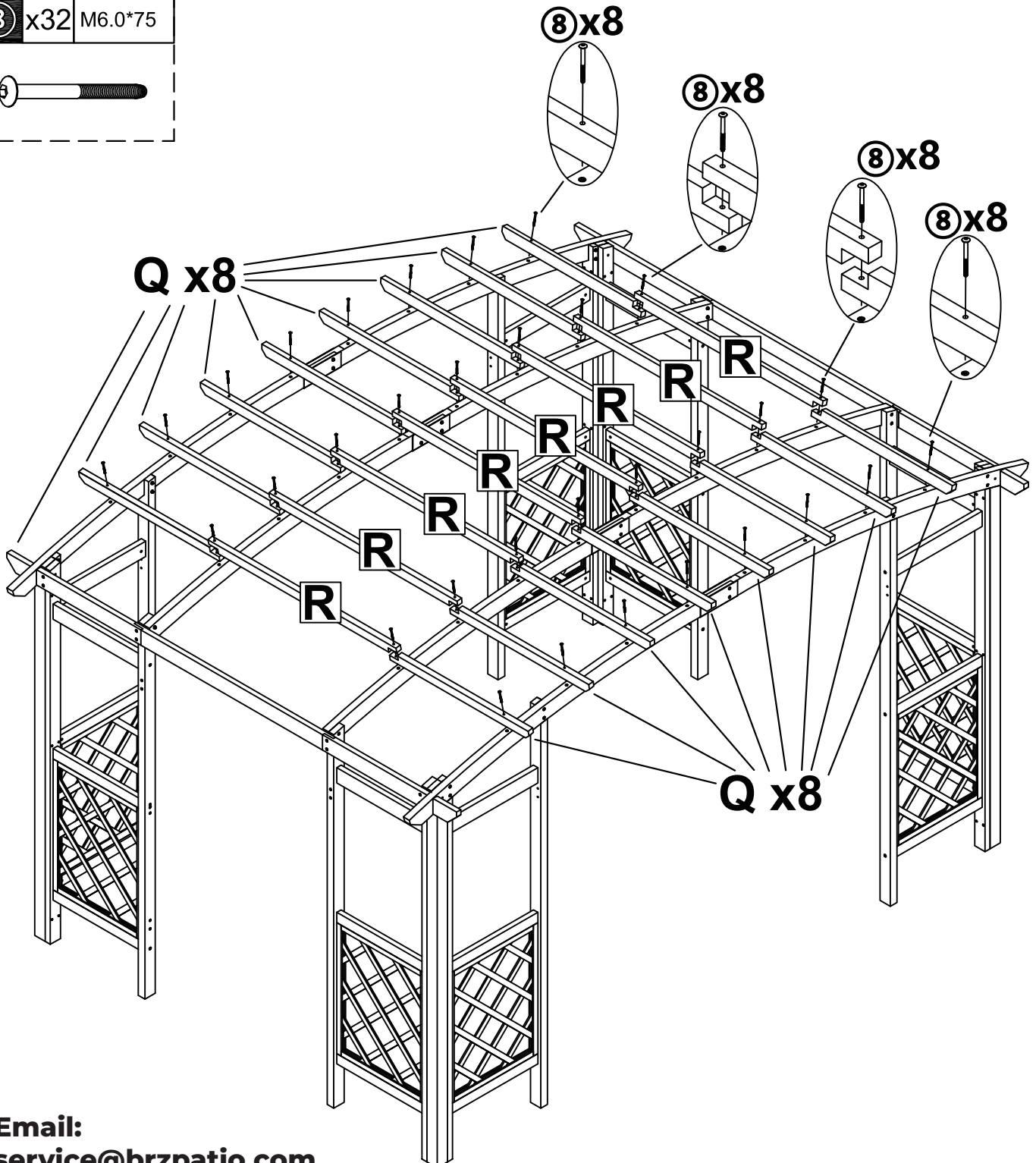
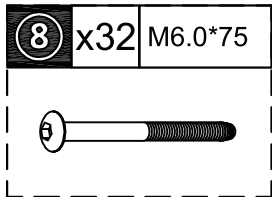
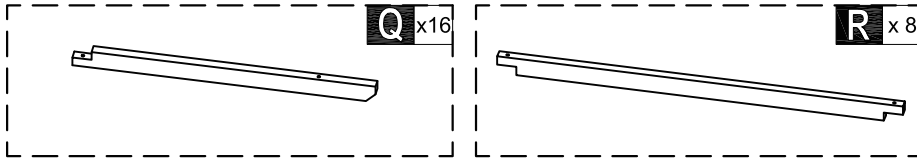
STEP 18



Email:
service@brzpatio.com

PRODUCT ASSEMBLY

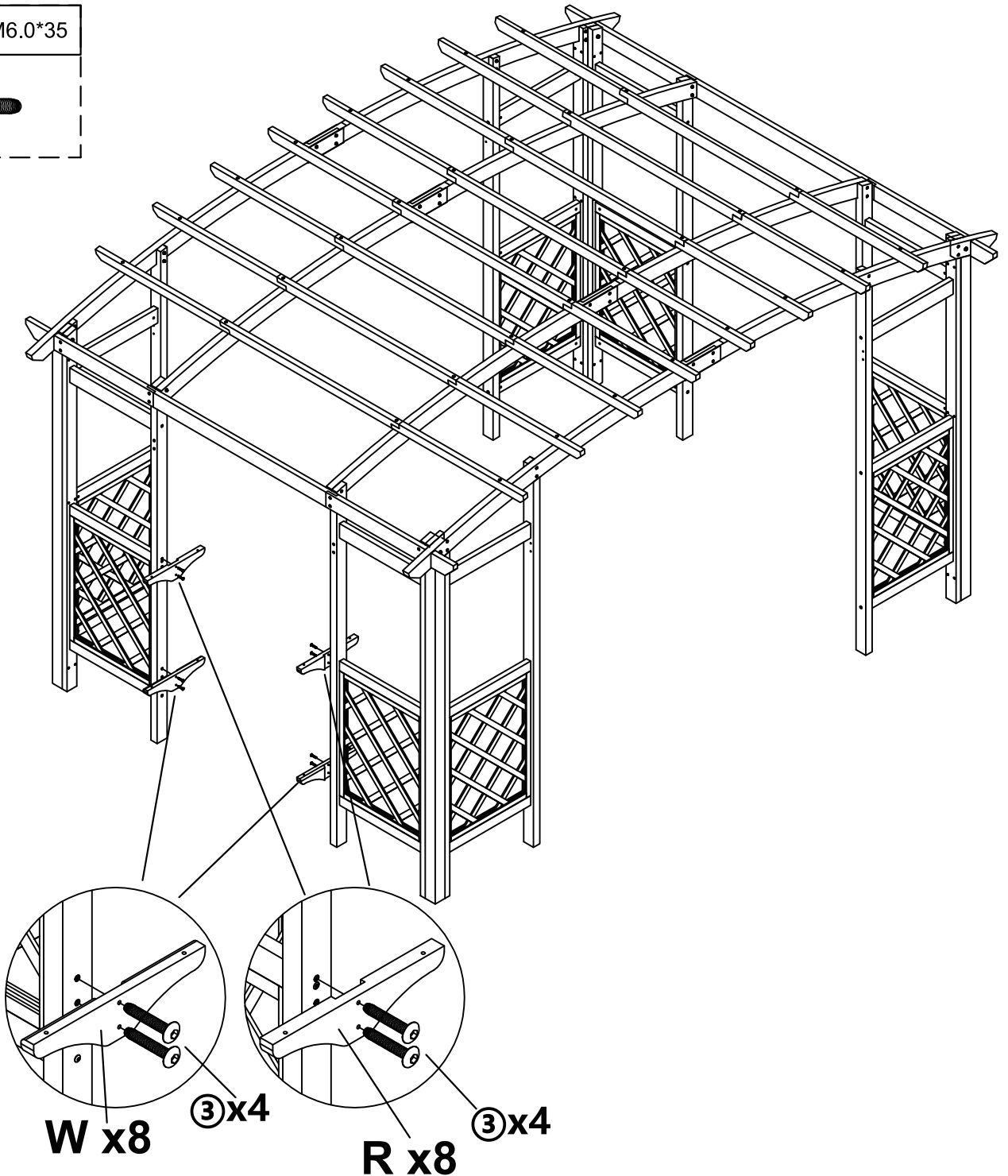
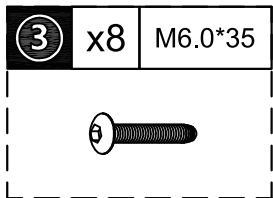
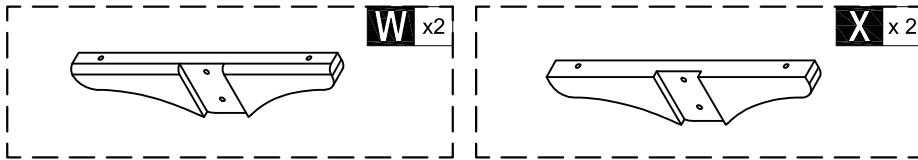
STEP 19



Email:
service@brzpatio.com

PRODUCT ASSEMBLY

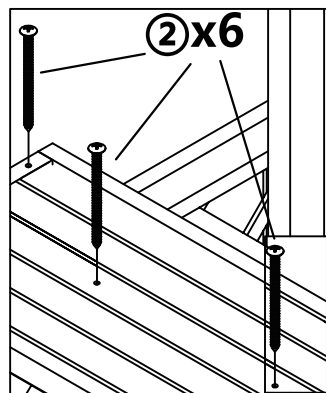
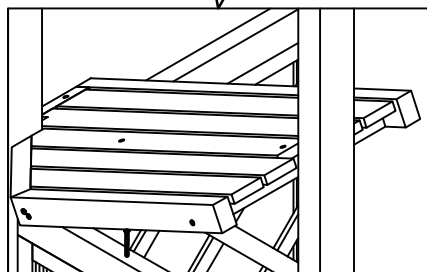
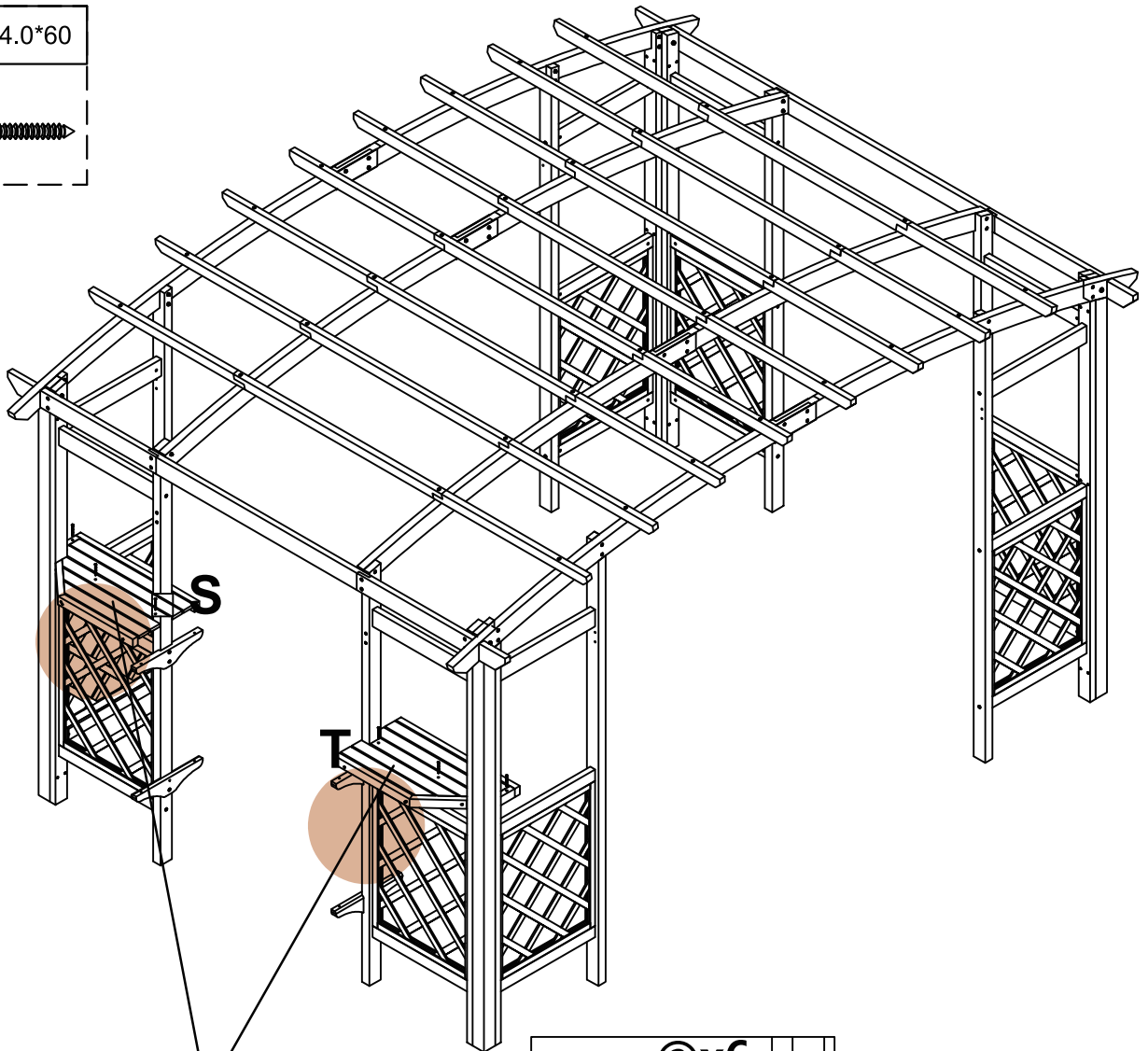
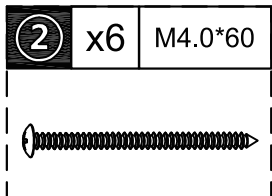
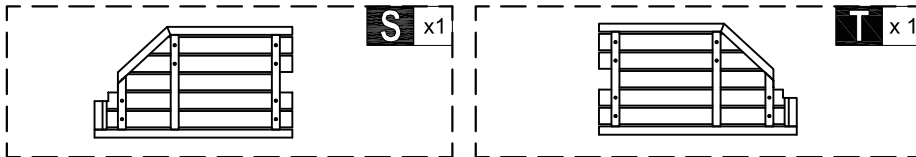
STEP 20



Email:
service@brzpatio.com

PRODUCT ASSEMBLY

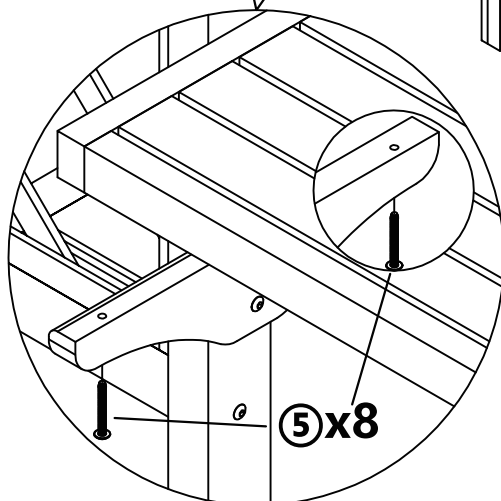
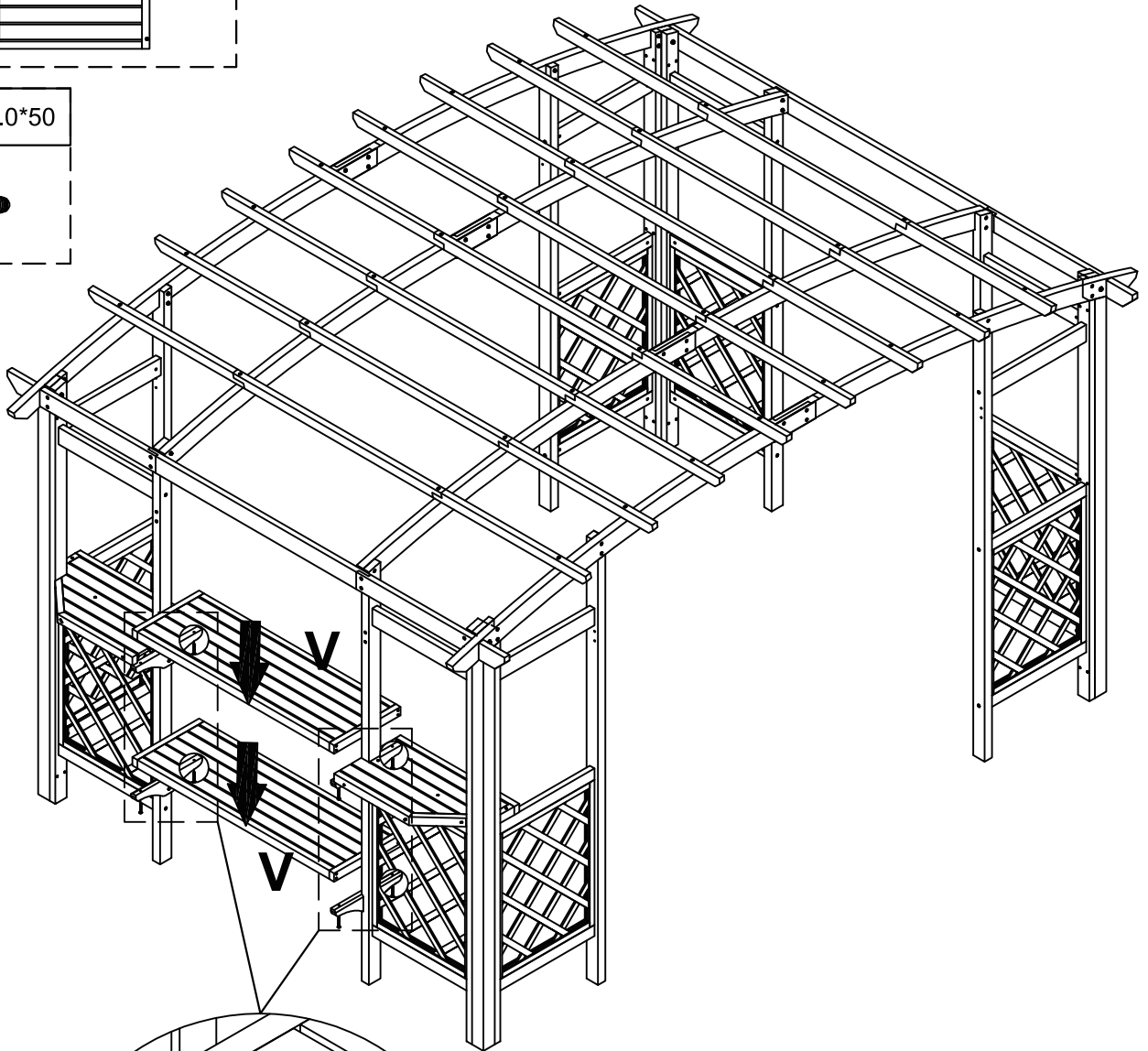
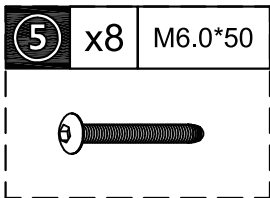
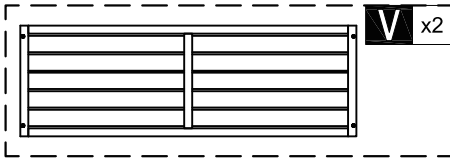
STEP 21



Email:
service@brzpatio.com

PRODUCT ASSEMBLY

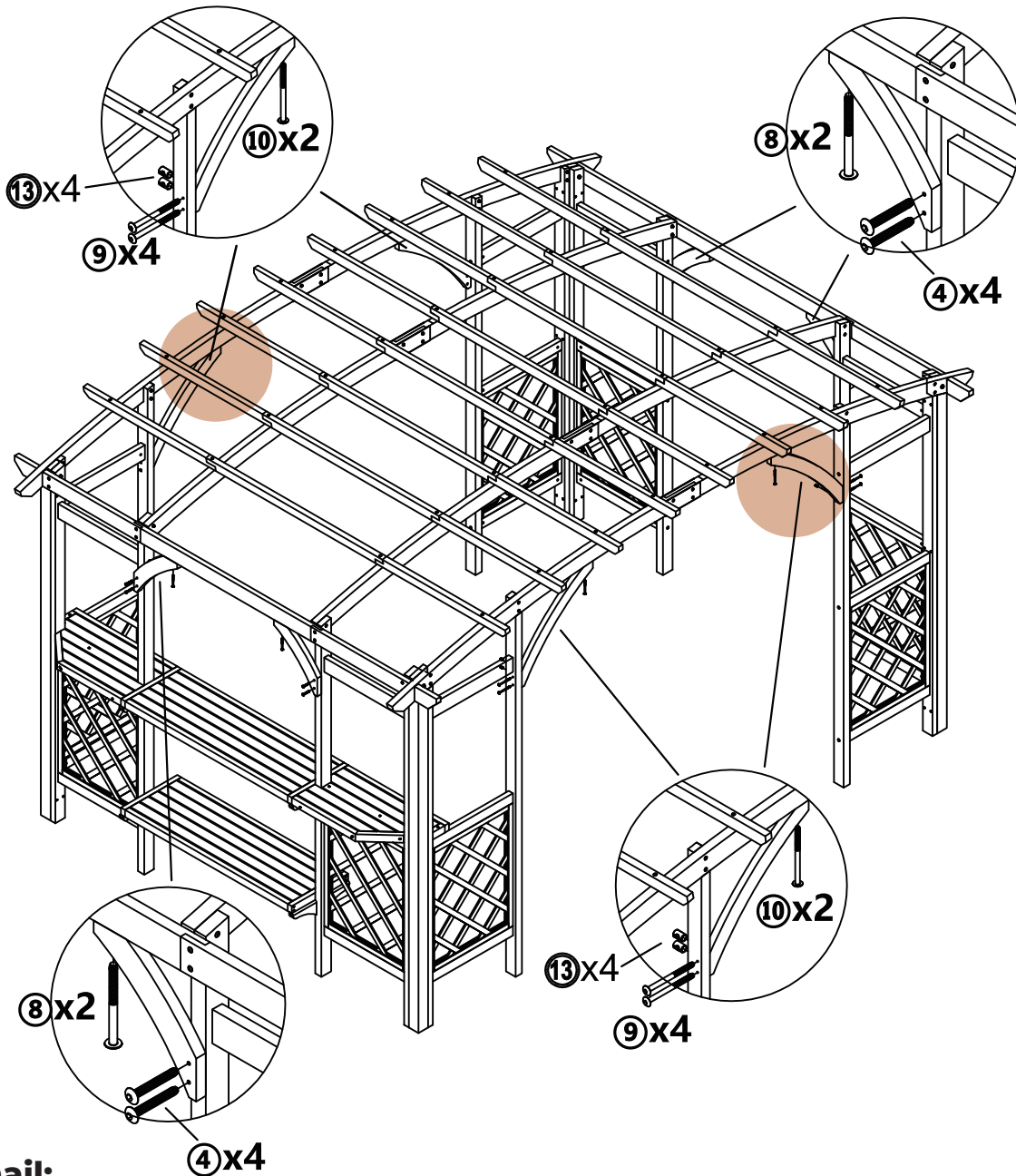
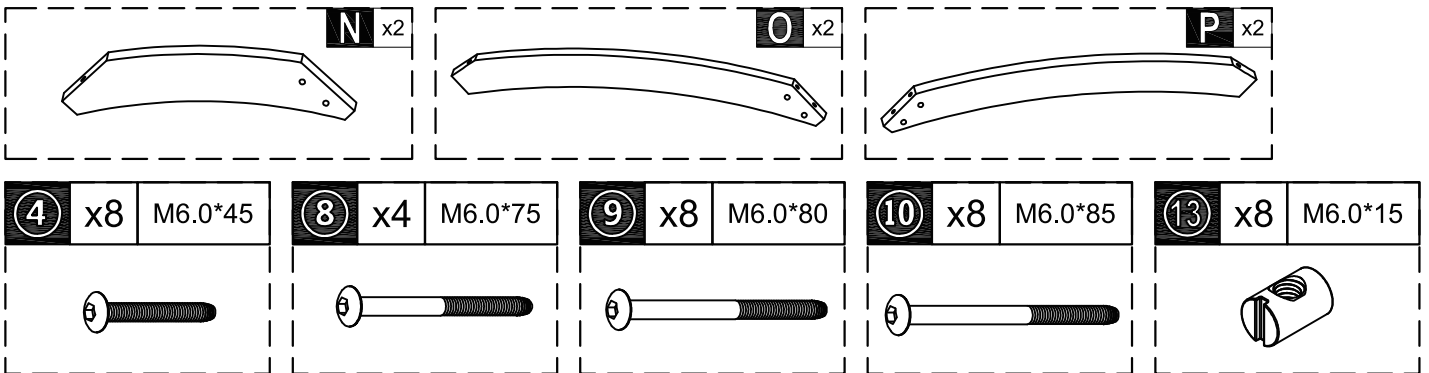
STEP 22



Email:
service@brzpatio.com

PRODUCT ASSEMBLY

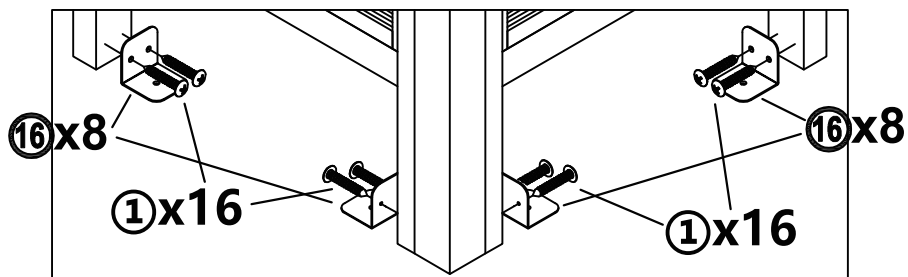
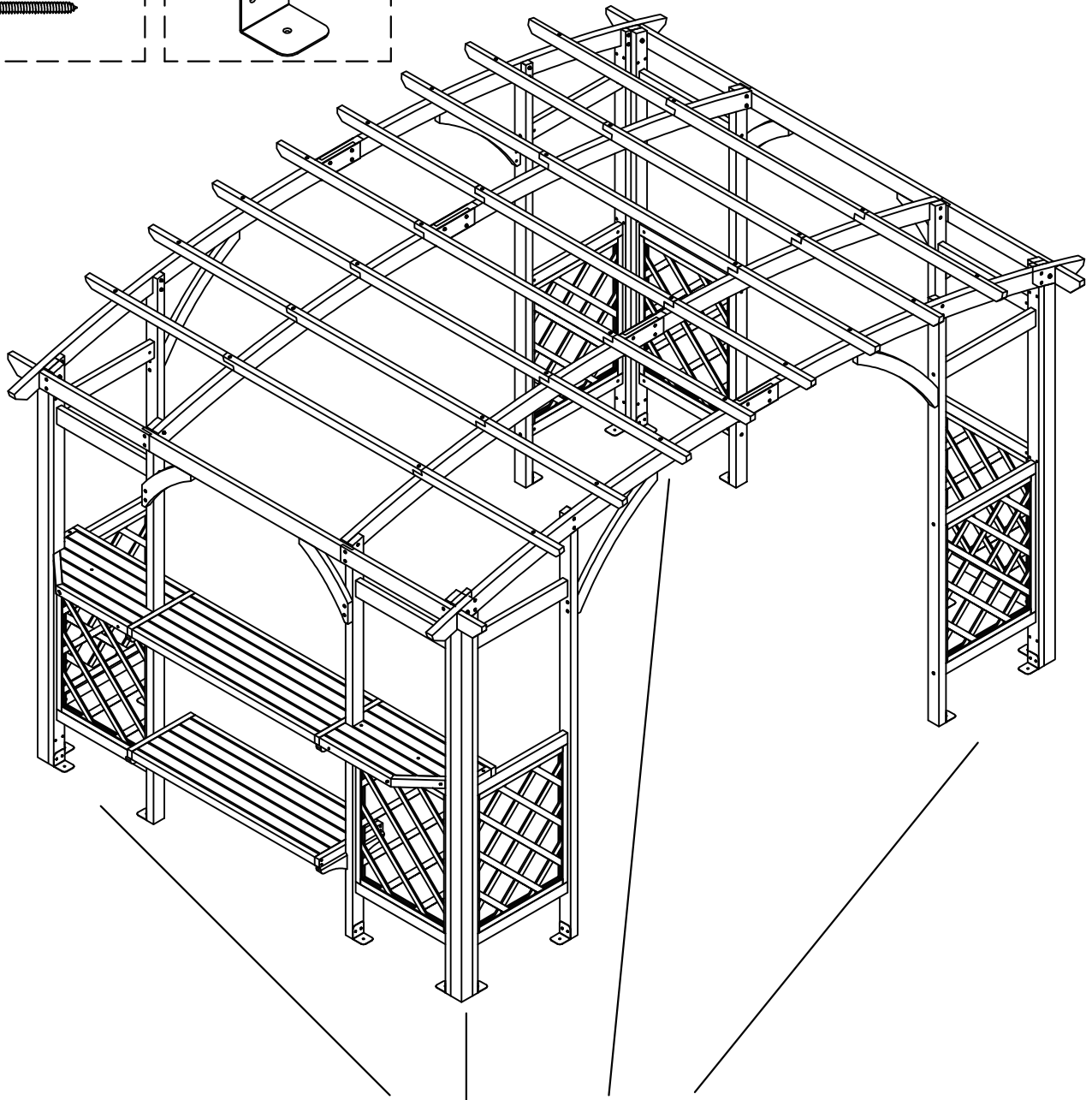
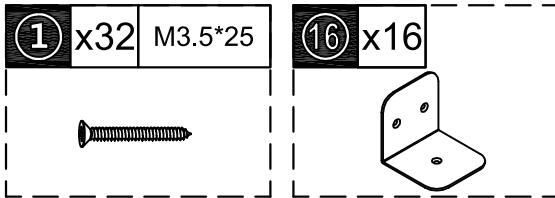
STEP 23



Email:
service@brzpatio.com

PRODUCT ASSEMBLY

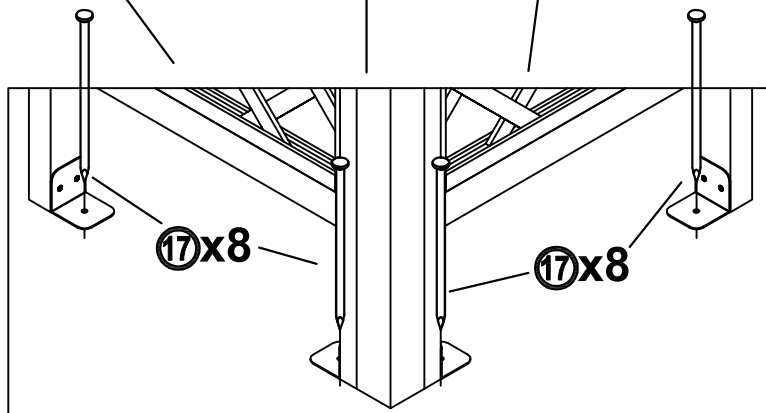
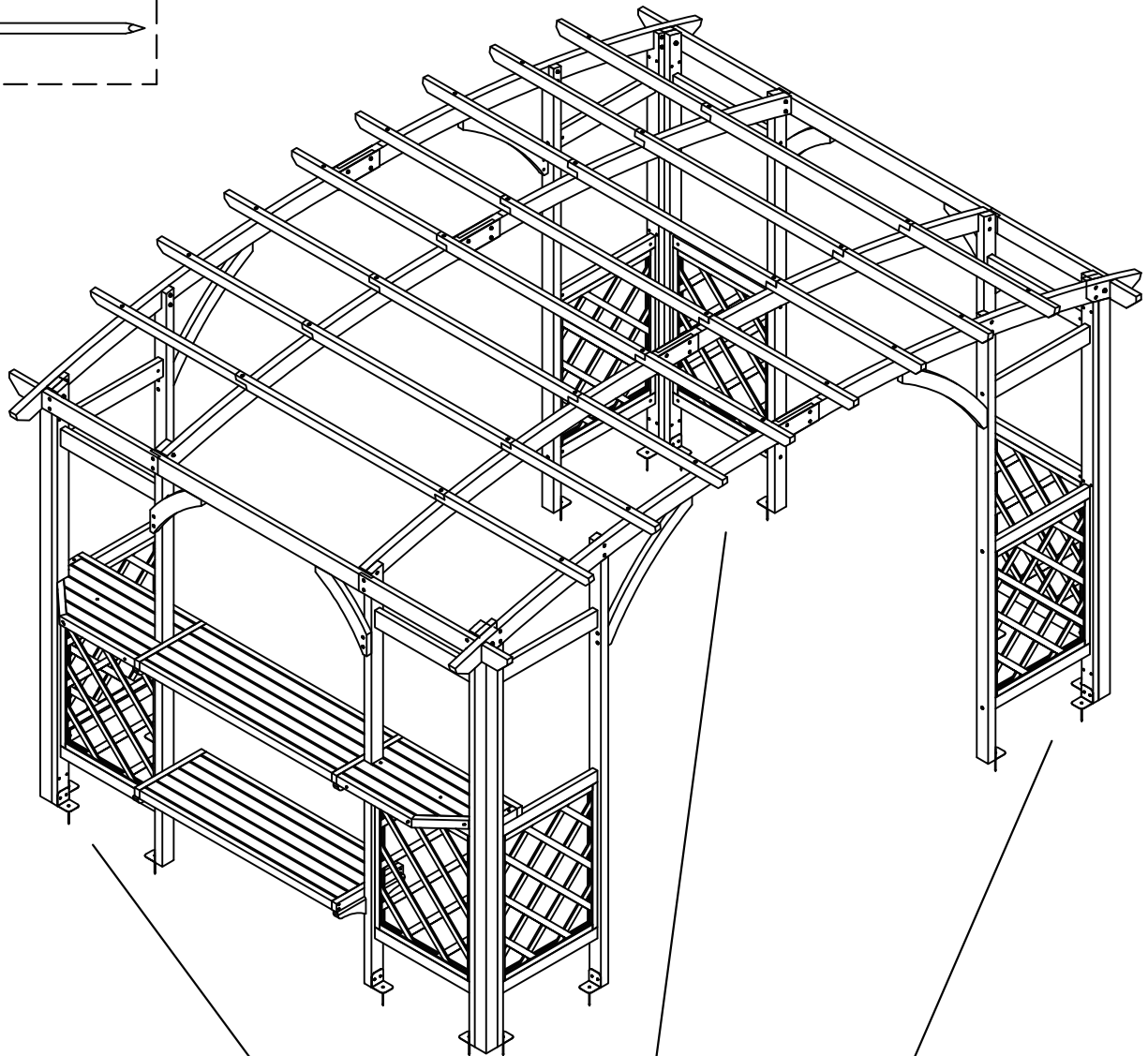
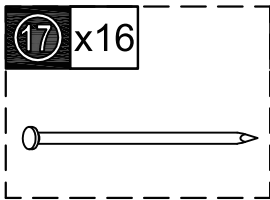
STEP 24



Email:
service@brzpatio.com

PRODUCT ASSEMBLY

STEP 25



Email:
service@brzpatio.com