

NOTICE

- Please make sure that you have all parts indicated and they are in good condition before you begin assembly of this item. Refer to part list and hardware list below for guidance.
- This item should be assembled on a soft surface to prevent scratching the finish during assembly.
- This item may require periodic tightening.
- If you are having difficulty, our friendly Customer Care team is always here to help.

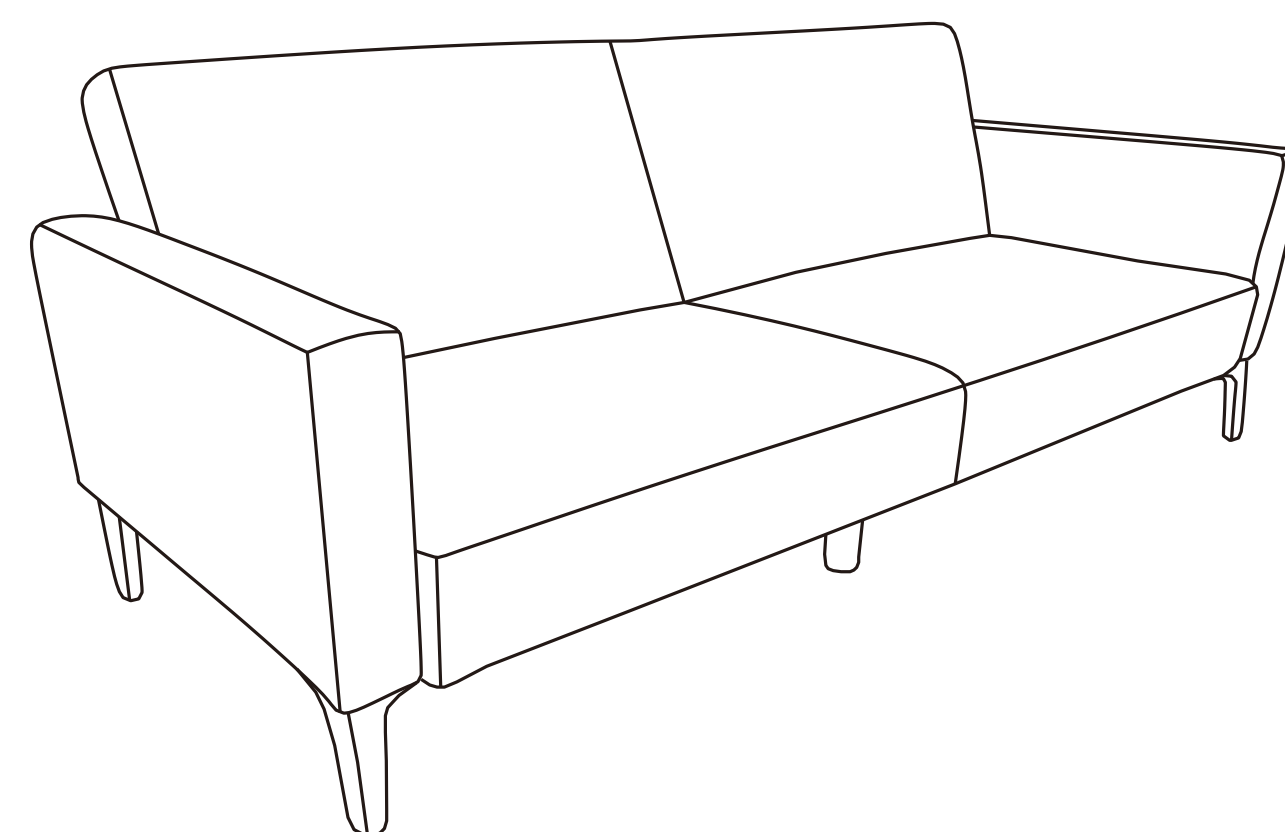
PREPARATION

- Before beginning assembly of product, make sure all parts are present. Compare parts with part contents list and hardware contents list.
- If any part is missing or damaged, do not attempt to assemble the product.
- Estimated Assembly Time: 10 minutes
- Tools Required for Assembly (included): Allen Key

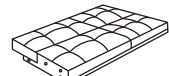












CARE AND MAINTENANCE

- To remove dust from your fabric sofa bed, Brush delicately using a brush with soft bristles or use a vacuum cleaner at a medium power output setting using the most suitable accessory supplied with the cleaner and taking care not to rub the accessory directly on the covering. To maintain the aesthetic appearance it is advisable to treat each stain before it is absorbent excessively: This will avoid prolonged or abrasive treatments being required.

Item Dimension: 79.1"W×33.1"D×32.7"H



Part List and Hardware List

PIECE	DESCRIPTION	PICTURE	QUANTITY
A	Sofabed		1X
B	Armrest left		1X
C	Armrest right		1X
D	Leg		4X
E	Middle support leg		2X
Hw1	Thread Stud 8x1.25x90mm		8X
Hw2	Socket Screws 6x1.27x25.4mm		8X
Hw3	Socket Screws 6x1.27x12.7mm		8X
Hw4	Flat Washer 8x22mm		8X
Hw5	Flat Washer 6x20mm		8X
Hw6	Allen key		1X
Hw7	Hex Nut 8x13mm		8X
Hw8	Open end wrench		1X

⚠ WARNING ⚠

Weight Capacity-550LBS

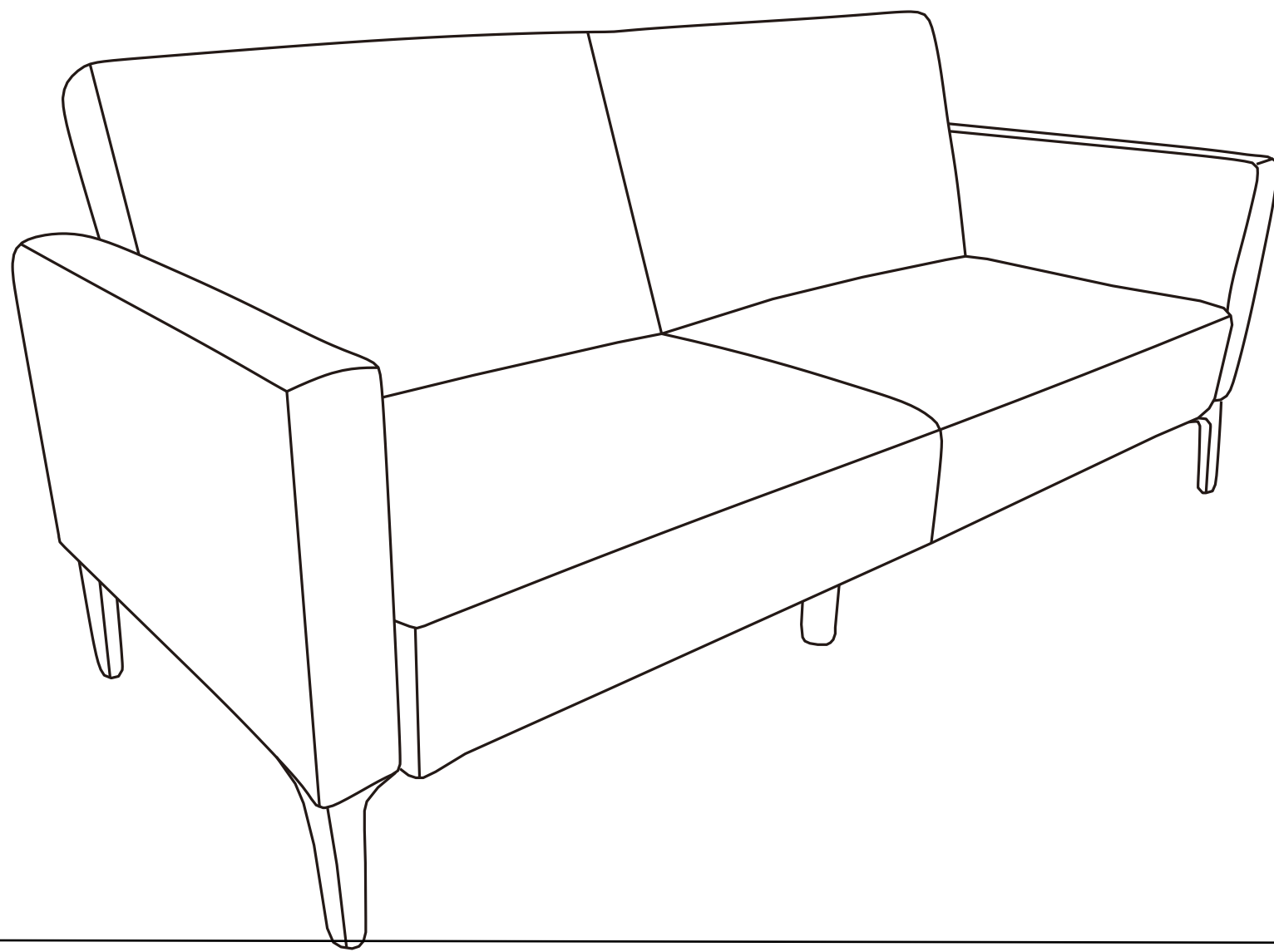
Warning: Do not stand on Sofa

Warning: Do not over torque bolts.

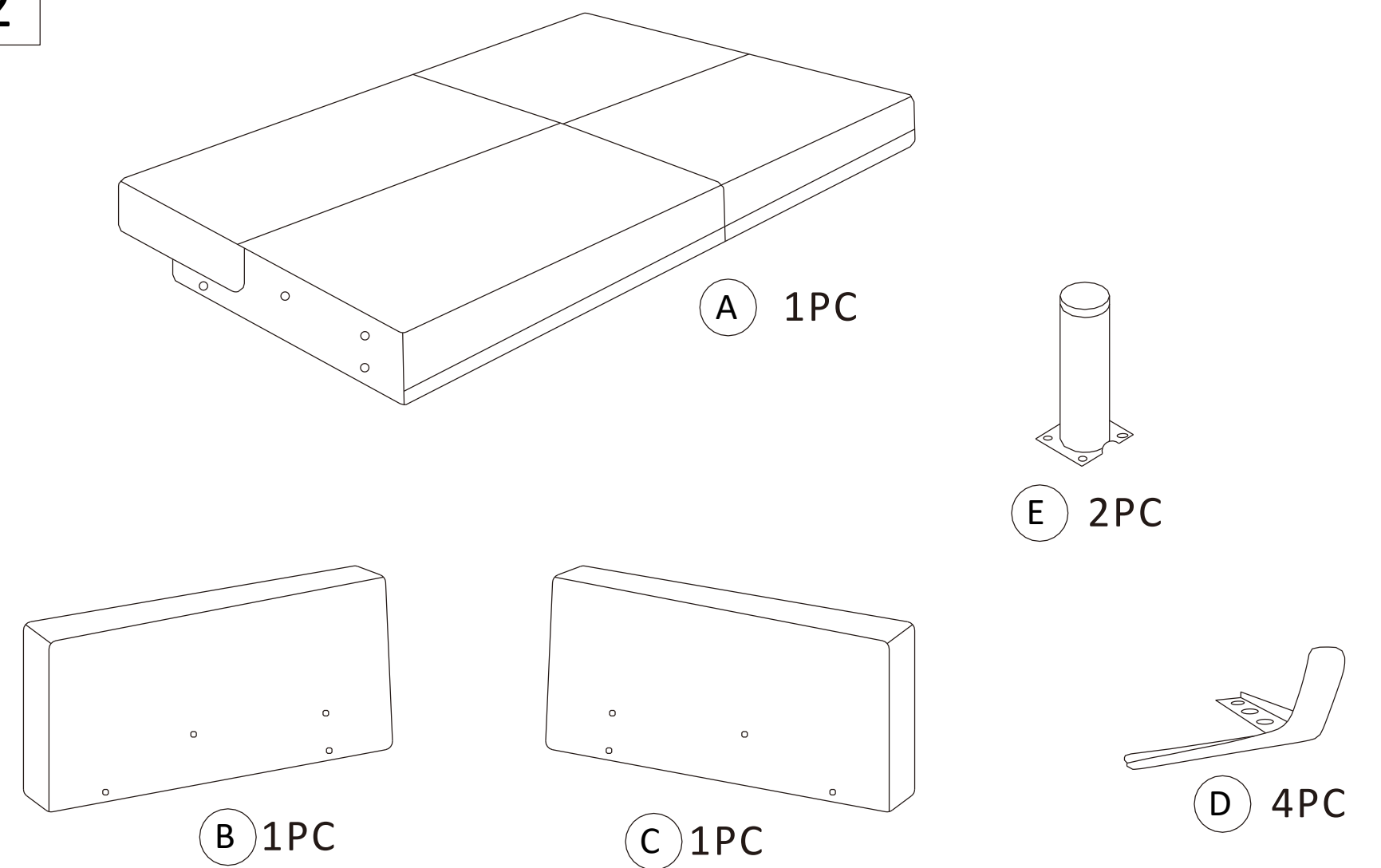
PREPARATION

- Before beginning assembly of product, make sure all parts are present. Compare parts with part contents list and hardware contents list.
- If any part is missing or damaged, do not attempt to assemble the product
- Estimated Assembly Time: 10 minutes.
- Tools Required for Assembly (included): Allen Key
- If you are having difficulty, our friendly Customer Care team is always here to help.

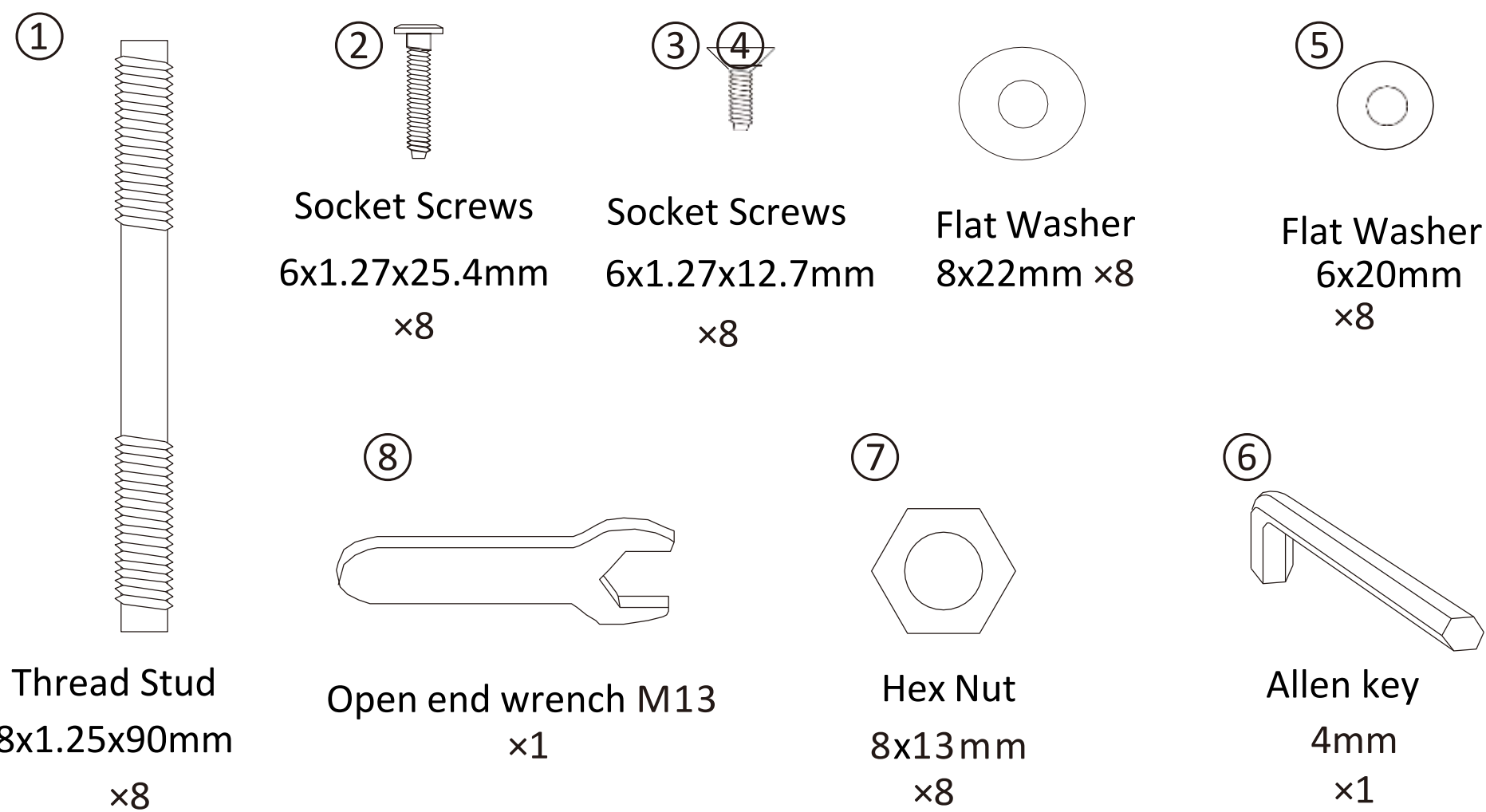
1



2

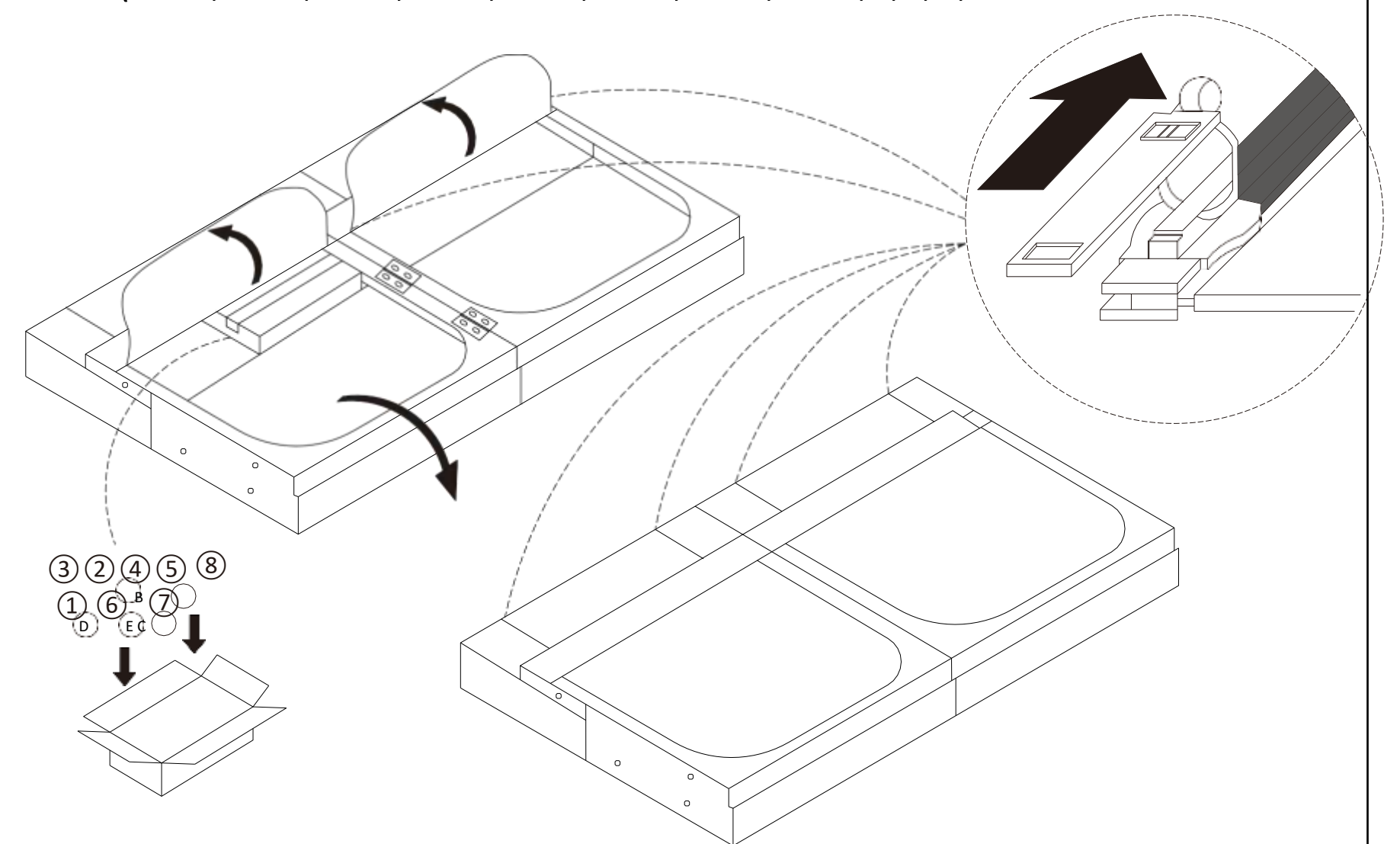


3



4

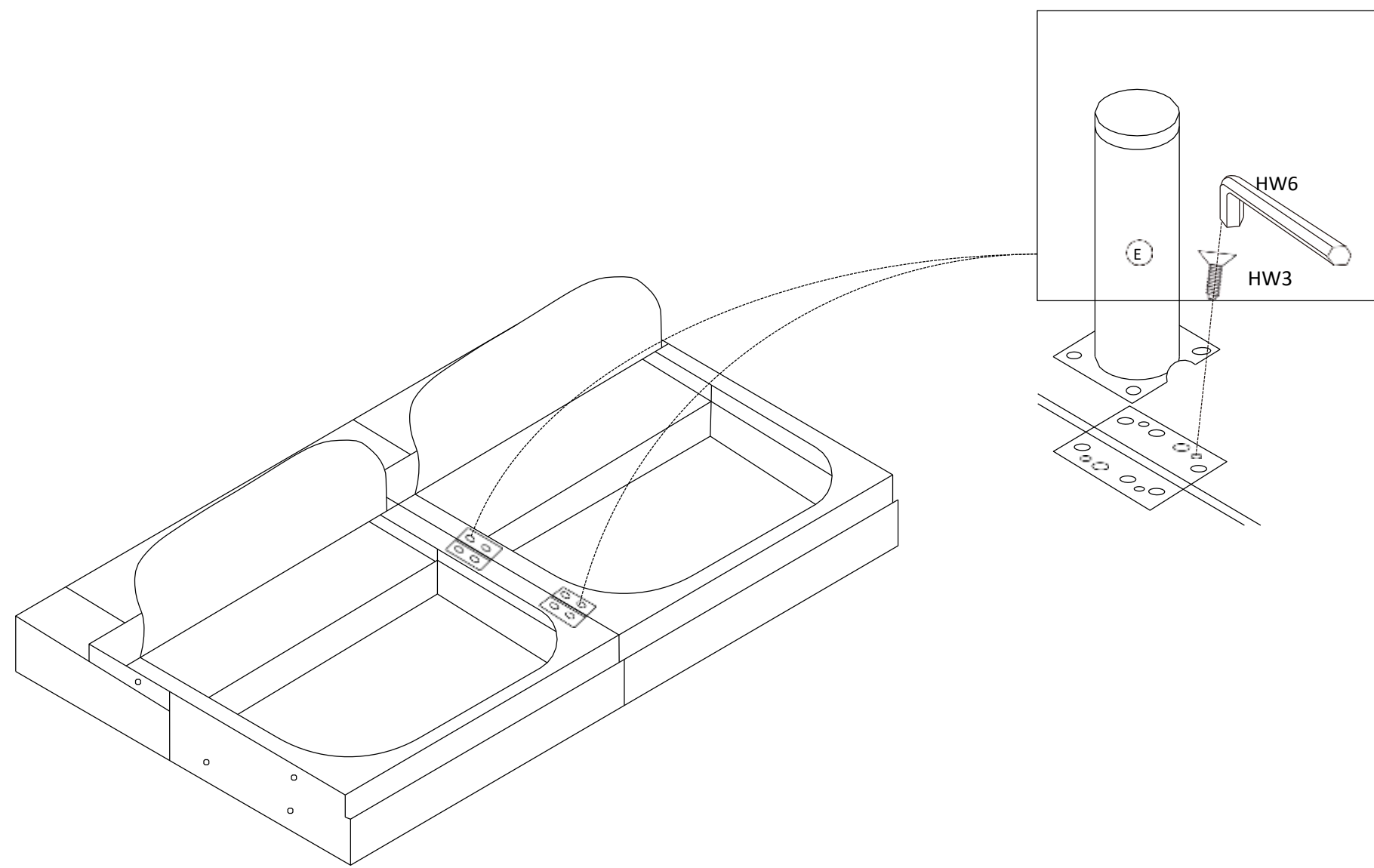
Open the zip that under bottom of Sofabed (HW1,HW2,HW3,HW4,HW5,HW6,HW7,HW8,B,C,D,E)



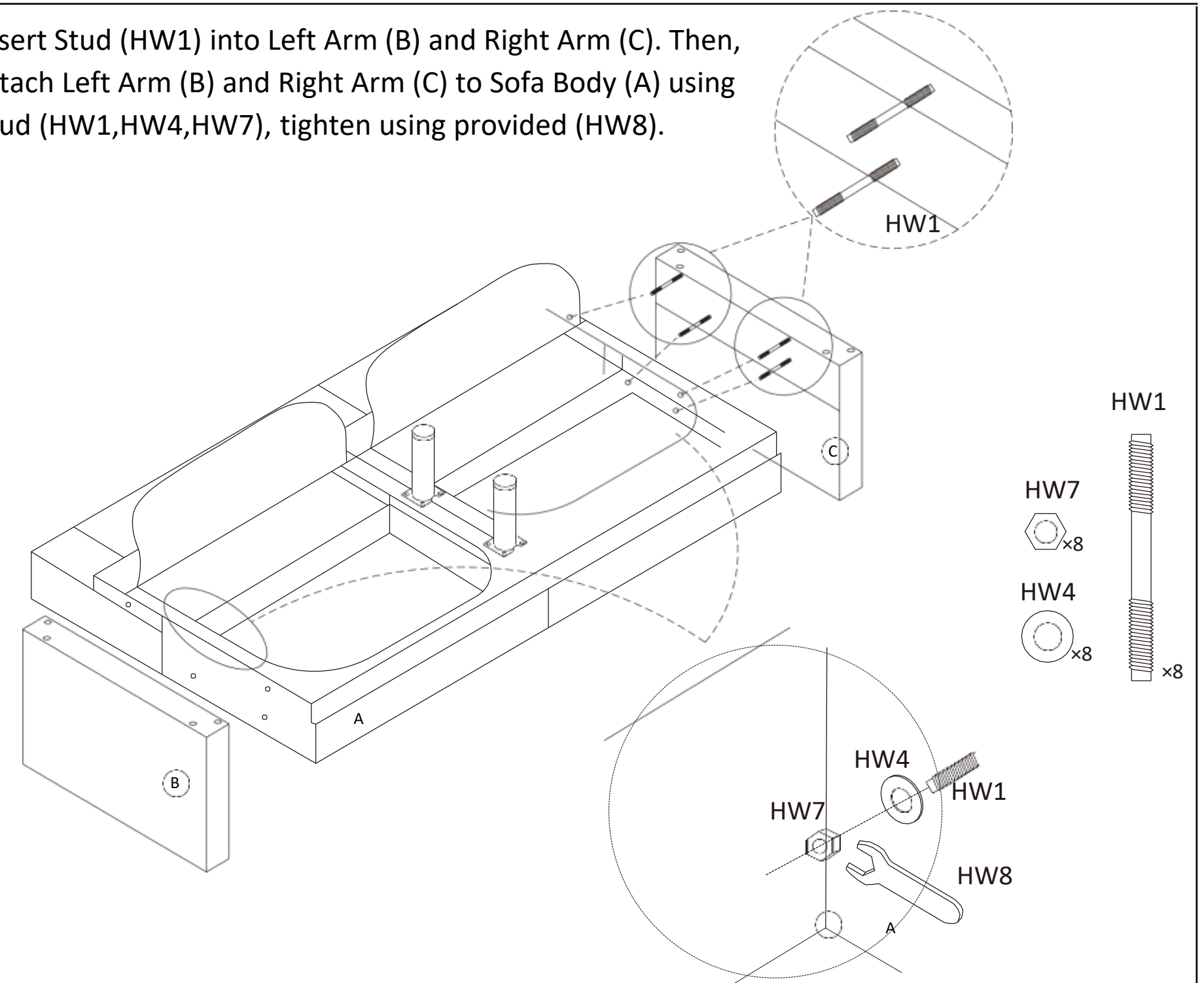
PREPARATION

- Before beginning assembly of product, make sure all parts are present. Compare parts with part contents list and hardware contents list.
- If any part is missing or damaged, do not attempt to assemble the product
- Estimated Assembly Time: 10 minutes.
- Tools Required for Assembly (included): Allen Key
- If you are having difficulty, our friendly Customer Care team is always here to help.

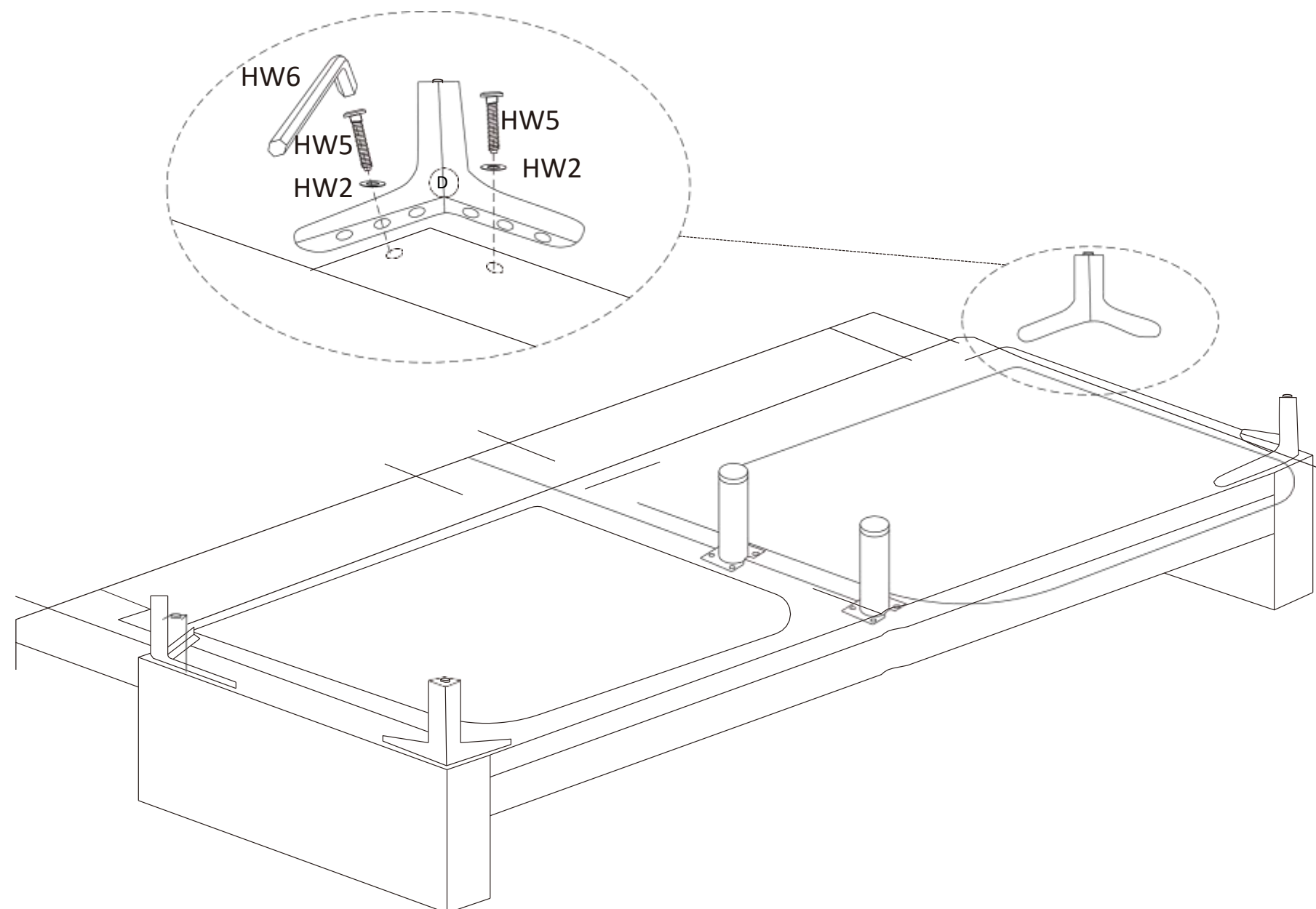
5 Assemble the support legs (E) by bolts(HW3,HW6,).



6 Insert Stud (HW1) into Left Arm (B) and Right Arm (C). Then, attach Left Arm (B) and Right Arm (C) to Sofa Body (A) using Stud (HW1,HW4,HW7), tighten using provided (HW8).



7 Attach side leg (D) to Sofa Body (A) by bolts (HW2,HW5,HW6) and hand turning until tight.



8 Adjust the position, bring the backrest all the way forward, then lean it back to your desired position.

