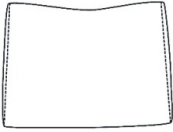
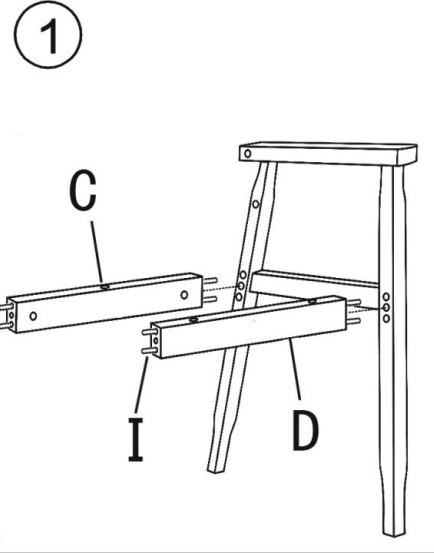
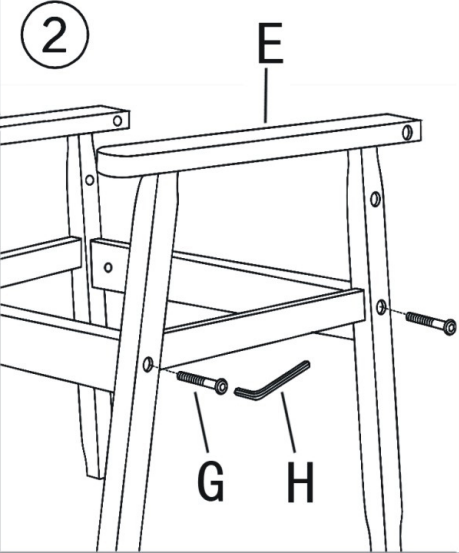
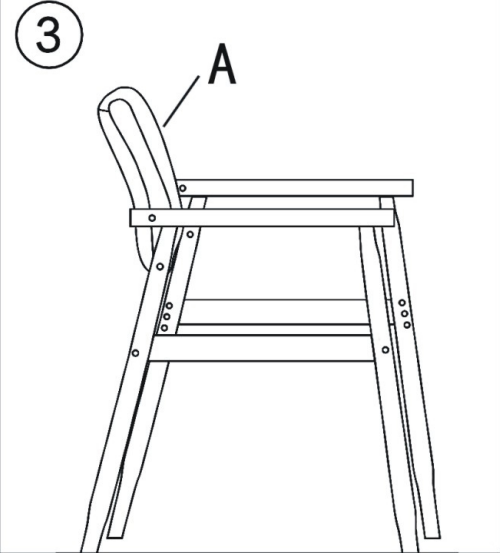
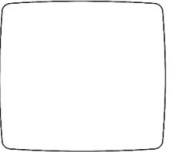

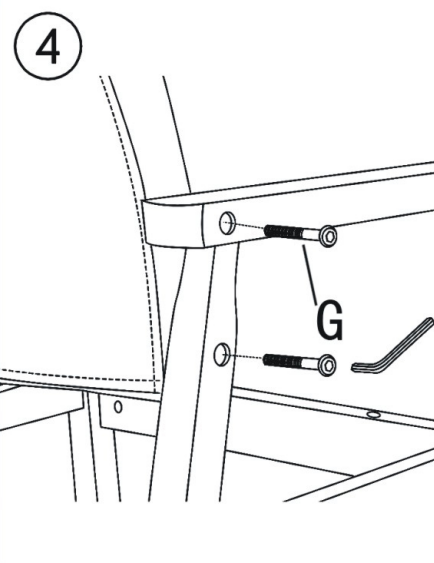
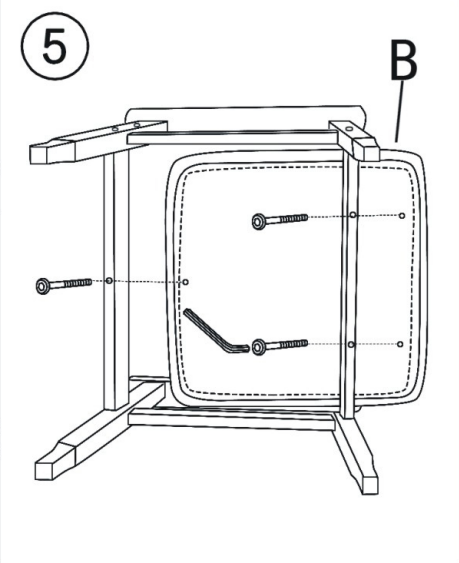
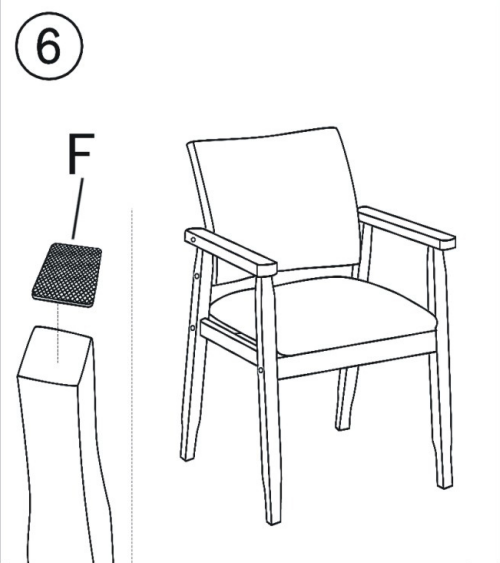

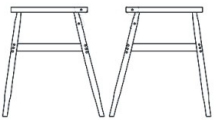
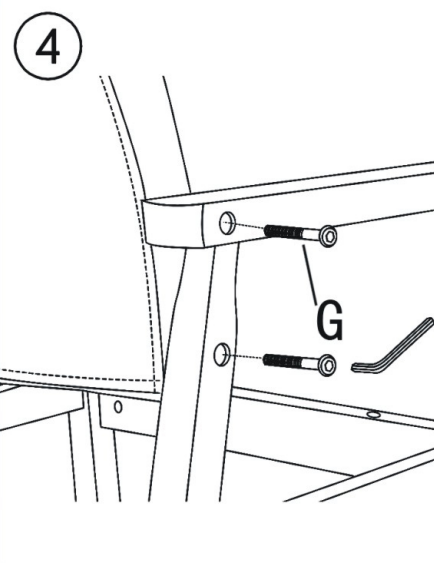
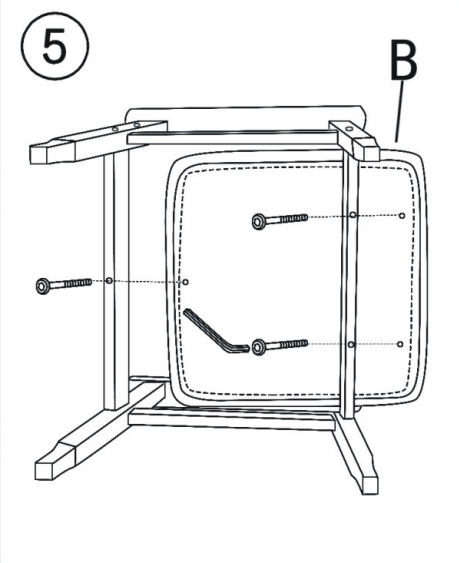
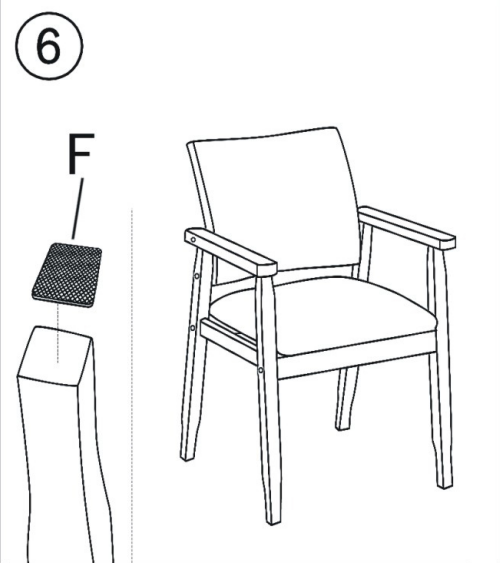


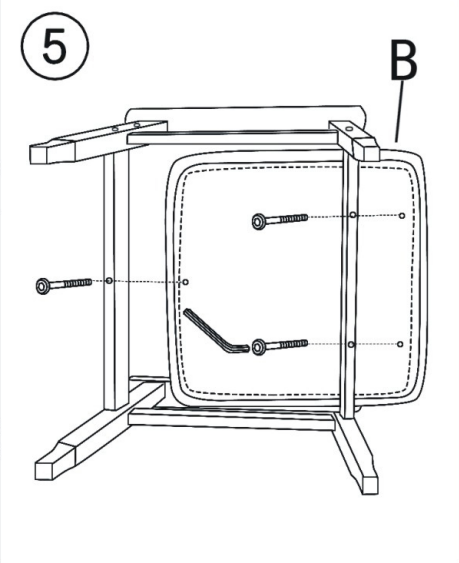
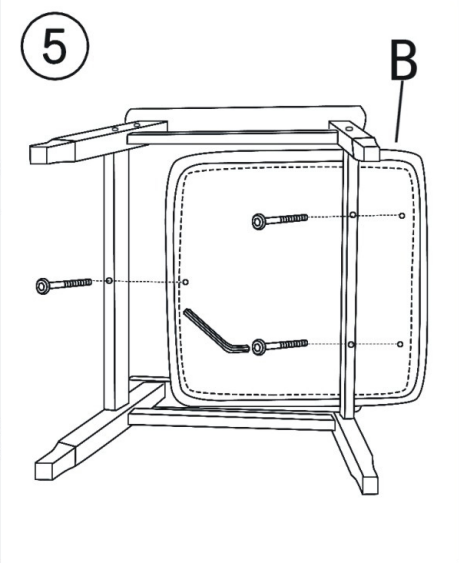
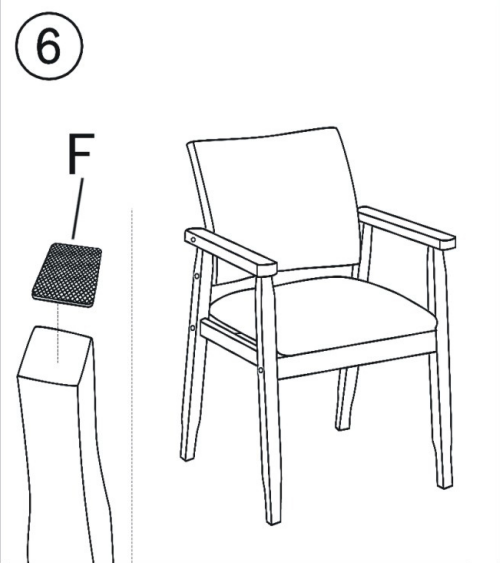


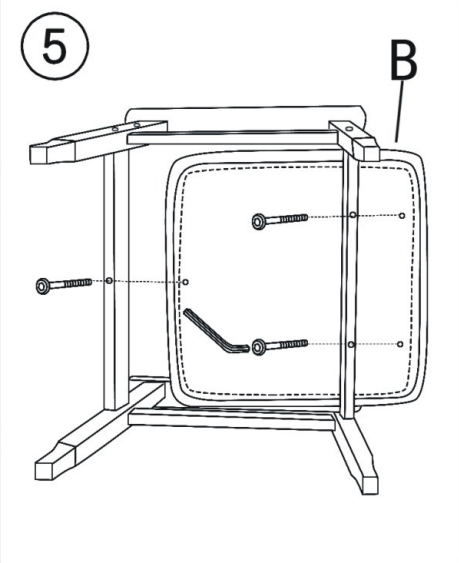
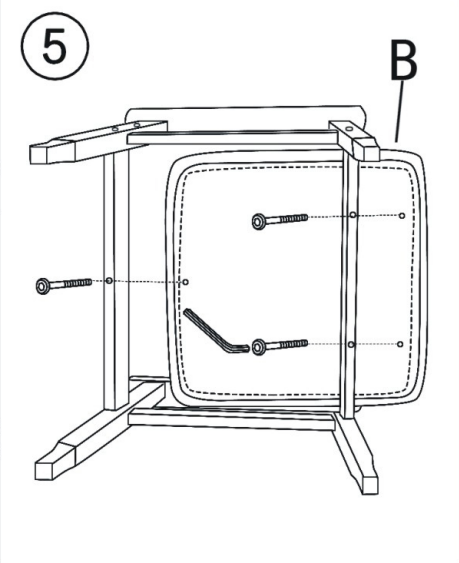
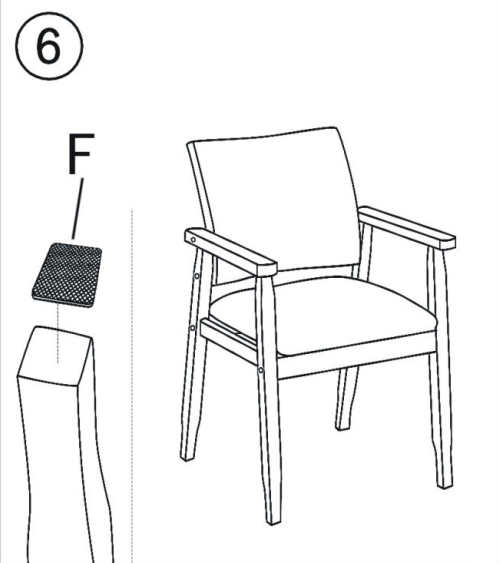


CUSTOMER SERVICE:

if you are missing parts or have any questions about this product,  
contact our ON-LINE customer service representative first !

# ASSEMBLY INSTRUCTIONS

|   |                                    |   |  |  |
|---|------------------------------------|---|--|--|
|    | back of a chair<br><b>A × 1</b>    | <b>1</b><br>  | <b>2</b><br>  | <b>3</b><br>  |
|    | sit board<br><b>B × 1</b>          |   |  |  |
|    | short<br><b>C × 1</b><br>back rail | <b>4</b><br> | <b>5</b><br> | <b>6</b><br> |
|    | long<br><b>D × 1</b><br>front rail |   |  |  |
|   | <b>E × 2</b>                       |              |              |              |
|  | <b>F × 4</b>                       |   |  |  |
|  | <b>G × 11</b><br>6*65mm            |             |              |              |
|  | <b>H × 1</b>                       |   |  |  |
|  | <b>I × 8</b><br>8*40mm             |             |              |              |
|   |                                    |   |  |  |

Notes: compare the length of each of screw, twist them to 80% instead of 100%; adjust the balance of the chair after installation, twist each screw tightly step by step.