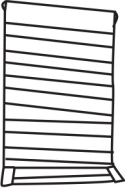


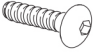
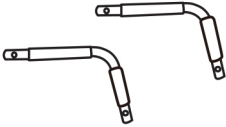

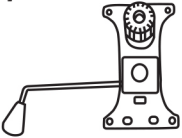
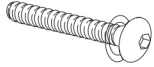


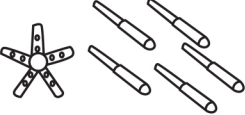
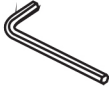
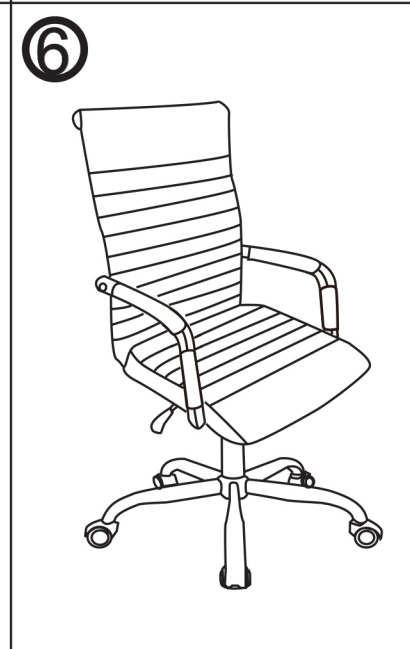
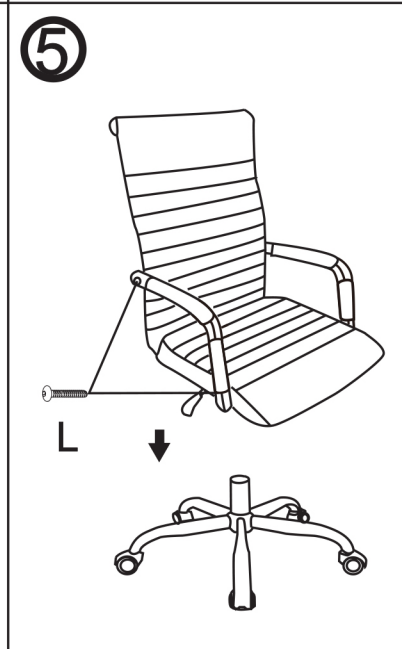
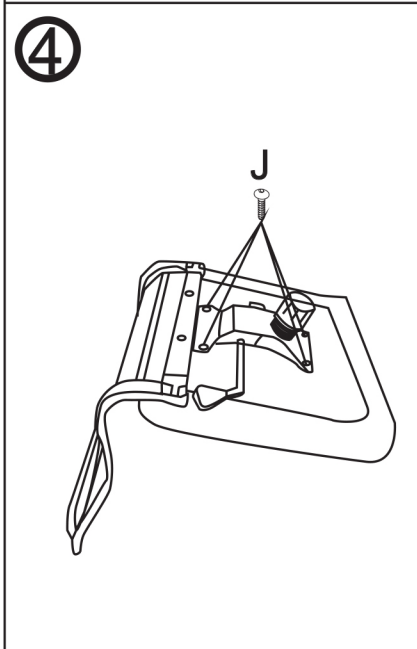
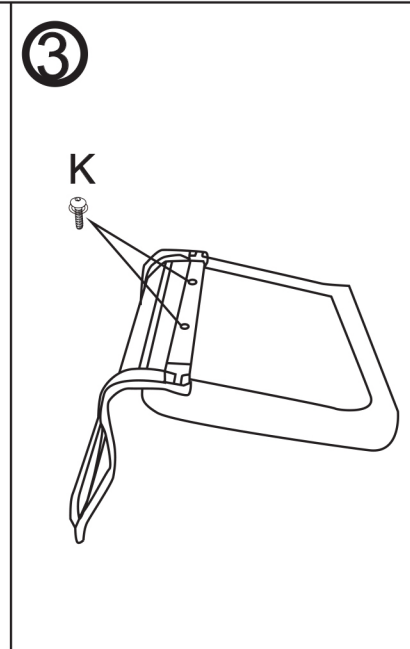
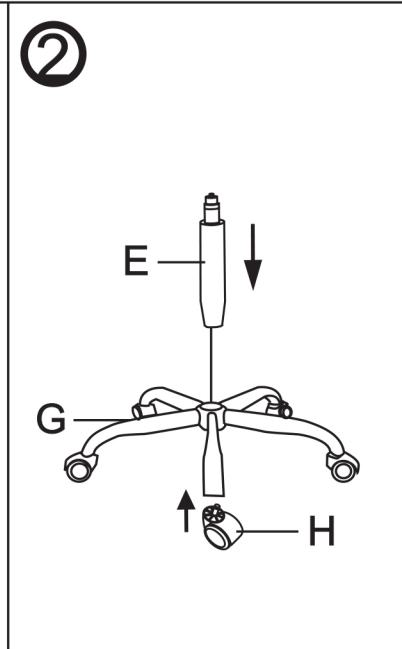
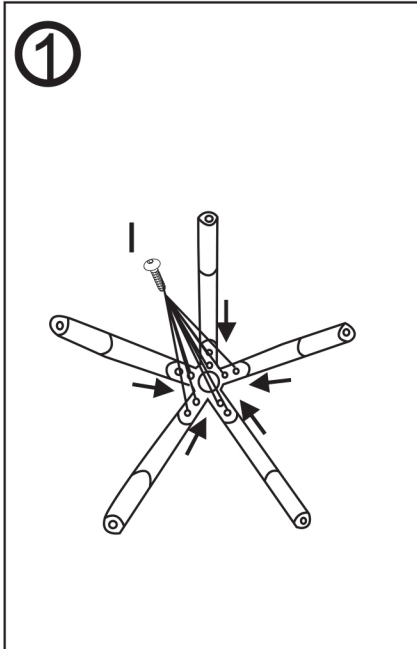


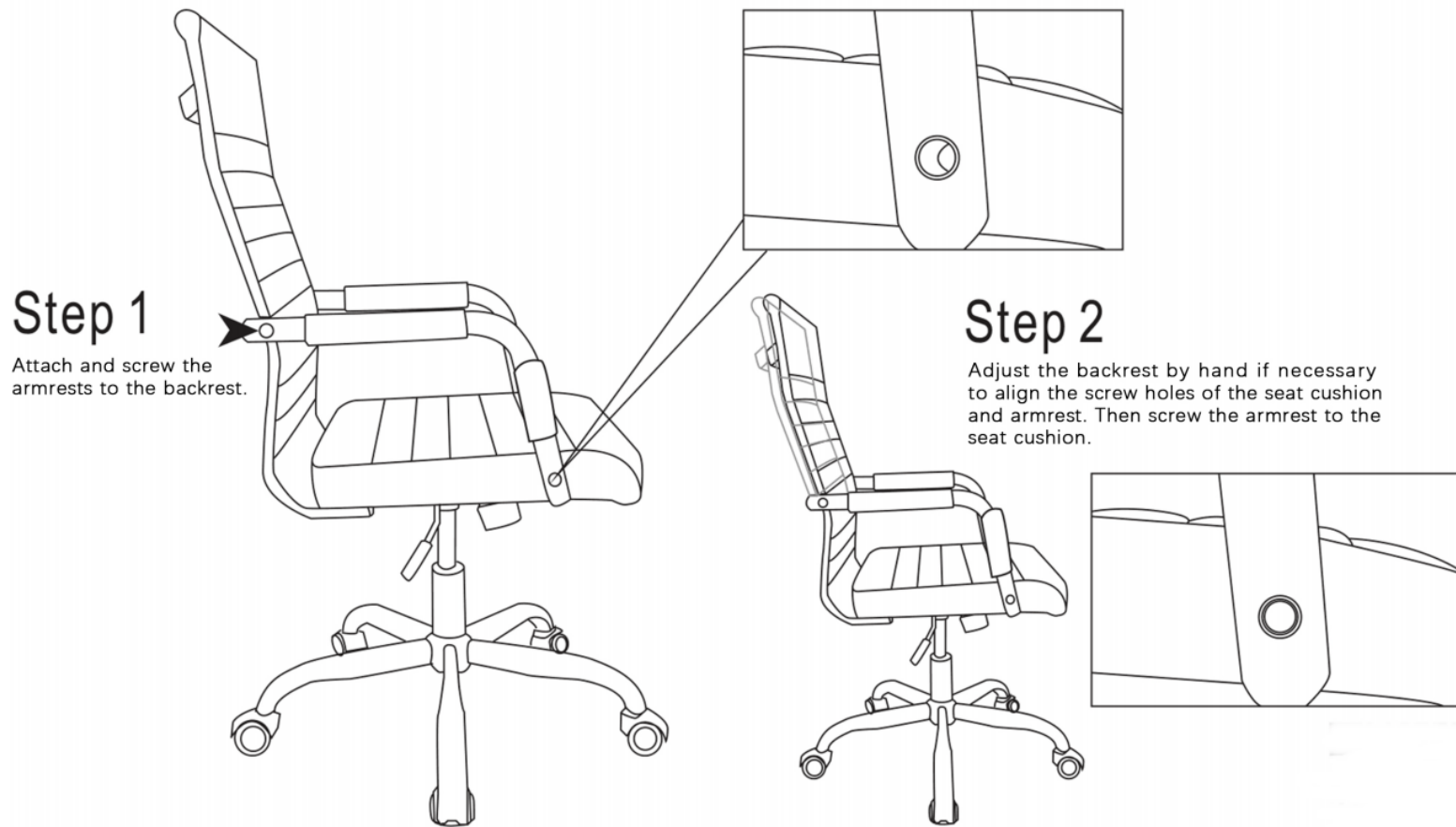
PARTS*QTY

ASSEMBLY INSTRUCTIONS

<p>Ax1</p> 	<p>Hx5</p> 
<p>Bx1</p> 	<p>Ix10</p>  <p>M6x10mm</p>
<p>Cx2</p> 	<p>Jx4</p>  <p>M6x20mm</p>
<p>Dx1</p> 	<p>Kx2</p>  <p>M6x35mm</p>
<p>Ex1</p> 	<p>Lx4</p>  <p>M8x35mm</p>
<p>Gx1</p> 	<p>Mx1</p> 



How to assemble the armrest?



Step 1

Attach and screw the armrests to the backrest.

Step 2

Adjust the backrest by hand if necessary to align the screw holes of the seat cushion and armrest. Then screw the armrest to the seat cushion.

1. Please move the product gently to avoid collision;
2. Please keep out of direct sunlight;
3. Please ensure the centre of gravity is on the hydraulic until during use;
4. Please watch your fingers when you adjusting the backrest angle;
5. Please toggle the handle under your seat when adjusting the chair height. do not to press it down roughly;
6. Please lift the lever gently to raise or lower the height of the chair. Do not pull it roughly;
7. Do not place any heavy objects on the chair or armrest;
8. Please do not use abrasive cleaners on the chairs;