

RVF5231

BATHROOM FAUCET

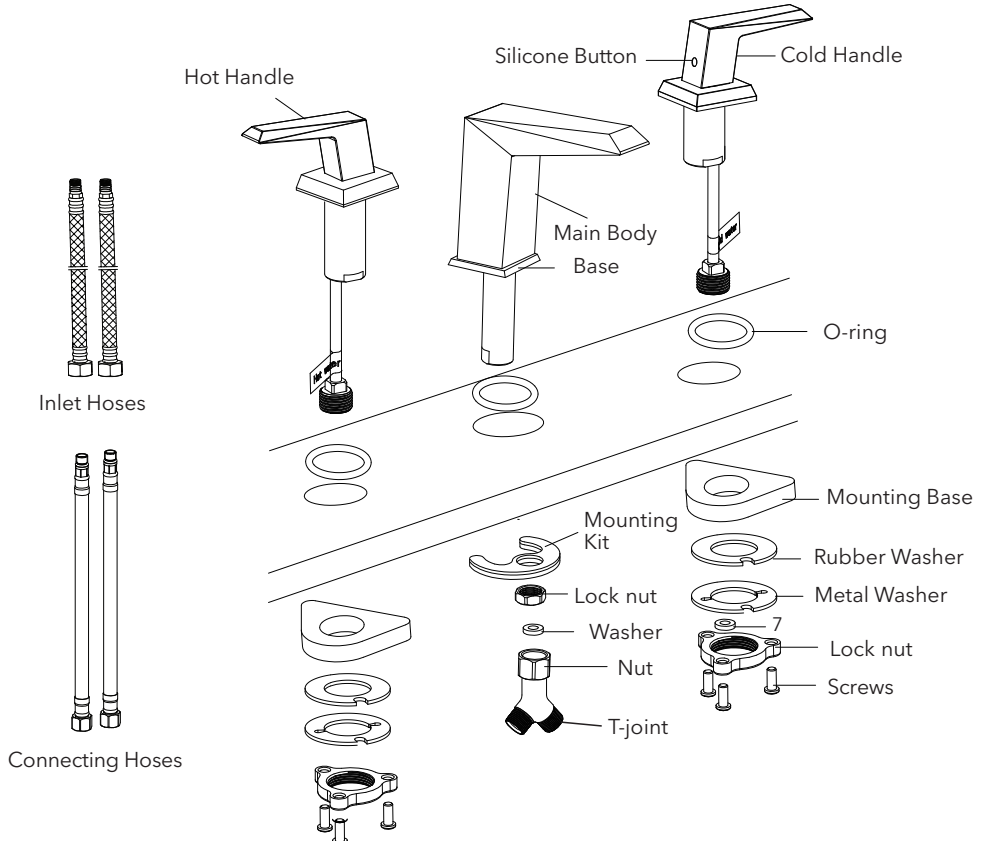
RUVATI[®]
SPECIFICATION SHEET

FEATURES

- Ceramic cartridge
- Solid brass construction
- Double handle design for precise control
- Includes hot and cold inlet hoses
- 3 hole installation (standard 1-3/8" hole)



IN THE BOX



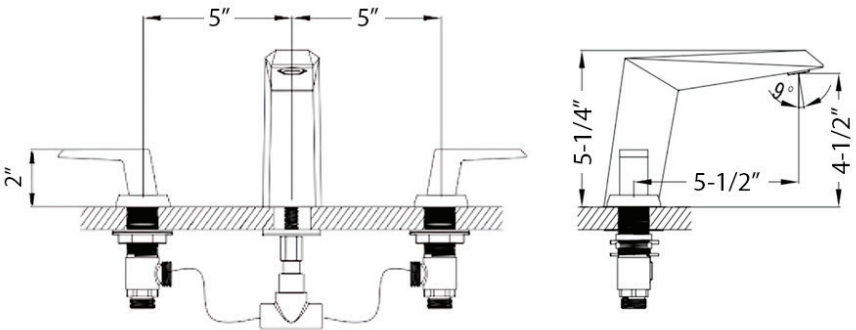
RUVATI USA
WWW.RUVATI.COM

COLOR OPTIONS

- Brushed Nickel (BN)

DIMENSIONS

- Overall Spout Height: 5-1/4"
- Spout Height: 4-1/2"
- Spout Reach: 5-1/2"
- Overall Handle Height: 2"



ADA
Americans with
Disabilities Act

CODES / STANDARDS
CUPC CERTIFIED BY IAPMO
ASME A112.18.1/CSA B125.1
NSF/ANSI/CAN 61 & 372

ADA COMPLIANT
CALIFORNIA ENERGY COMMISSION
(CEC) AND CALGREEN, EPA WATERSENSE



SCAN TO REGISTER OR VISIT
WWW.RUVATI.COM/REGISTER

RUVATI USA

WWW.RUVATI.COM

PHONE: 1.855.478.8284
EMAIL: SUPPORT@RUVATI.COM