
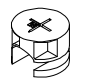
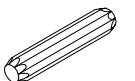

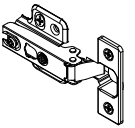
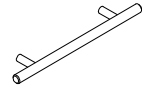

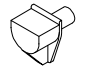

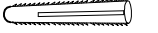
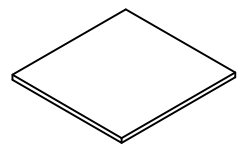


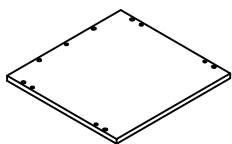
A	B	C 8*40	D 3.5*14	E	F	G 4*22	H	I 4*50	J 8*40
 16PCS	 16PCS	 14PCS	 12PCS	 2PCS	 1PCS	 2PCS	 4PCS	 6PCS	 6PCS

1



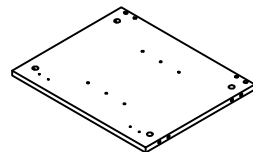
400*385 1PS

2



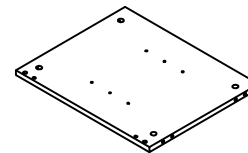
400*385 1PS

3



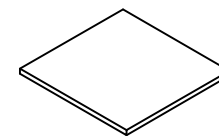
470*385 1PS

4



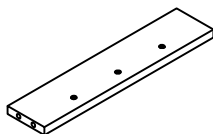
470*385 1PS

5



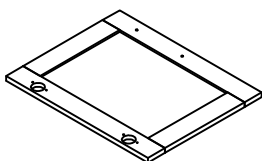
362*375 1PS

6



368*80 2PS

7



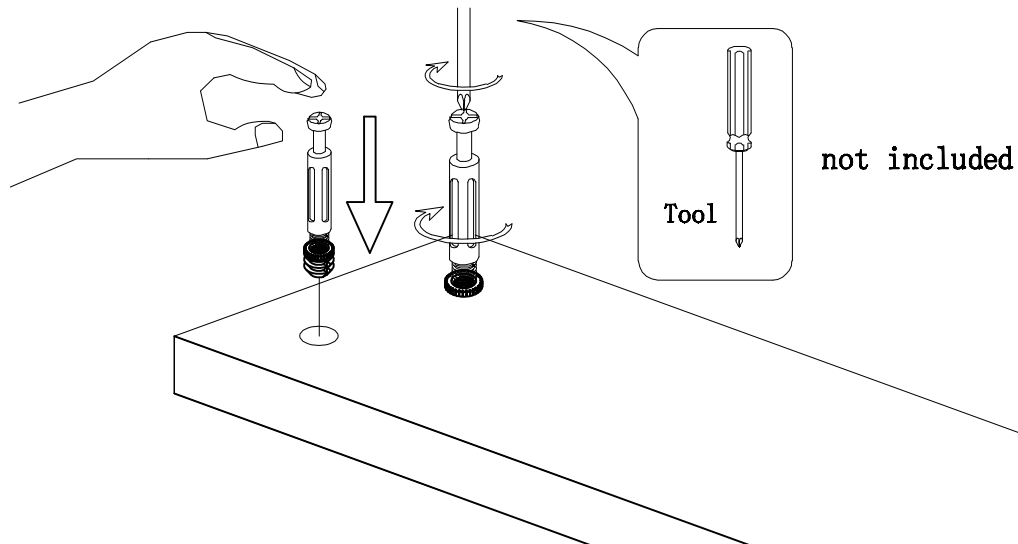
500*400 1PS



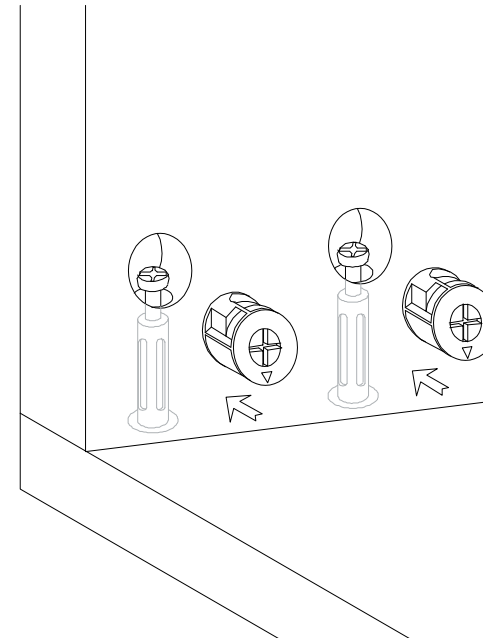
Hardware installation demonstration

NOTE: Please make sure "A" hardware tightened and can't be pulled out!

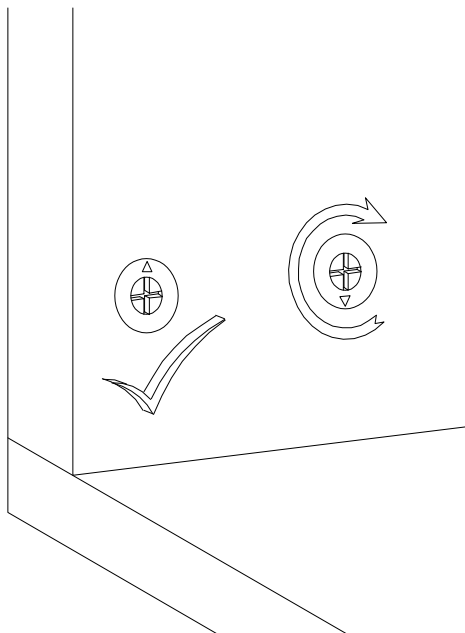
I



II



III

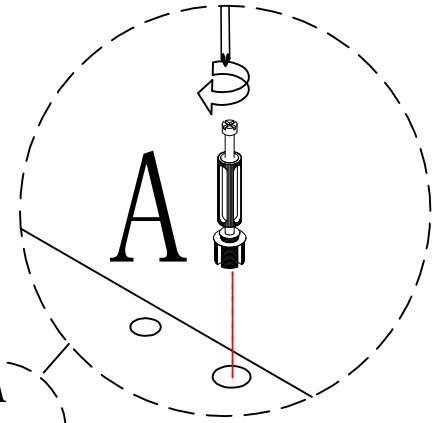
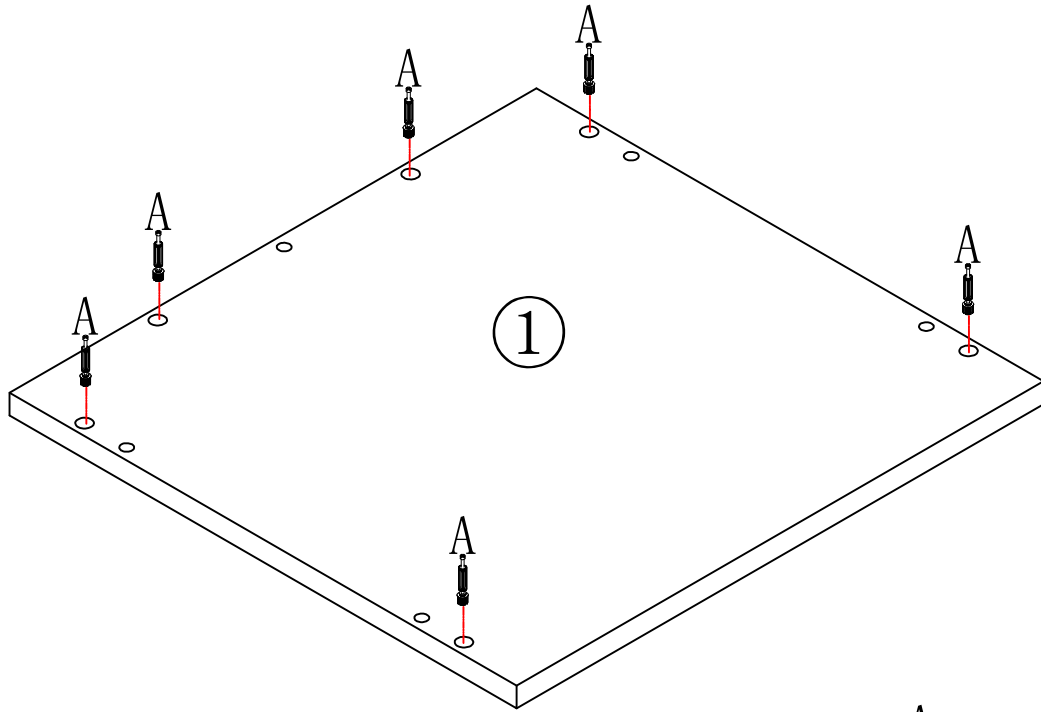


IV

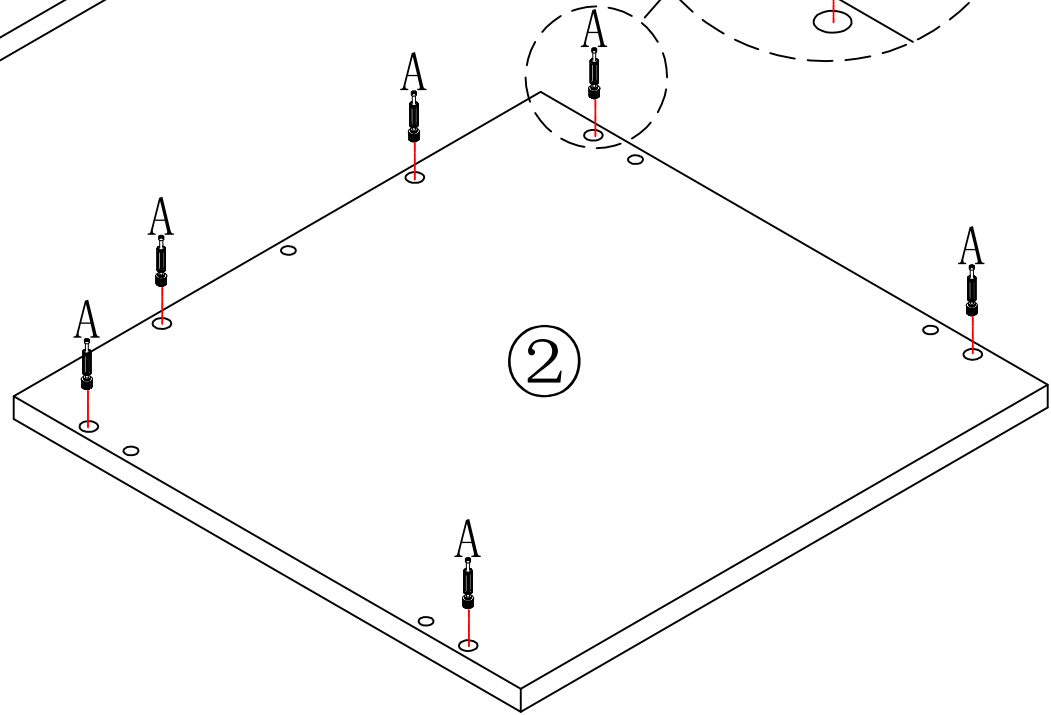


Scan QR code for assembly video

①



②

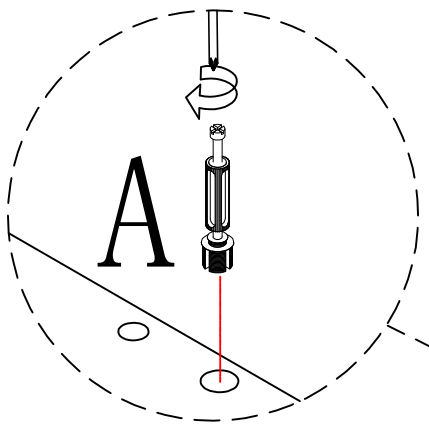


put A on board ① ②

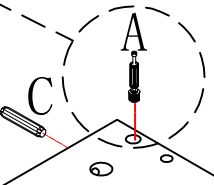


A*12

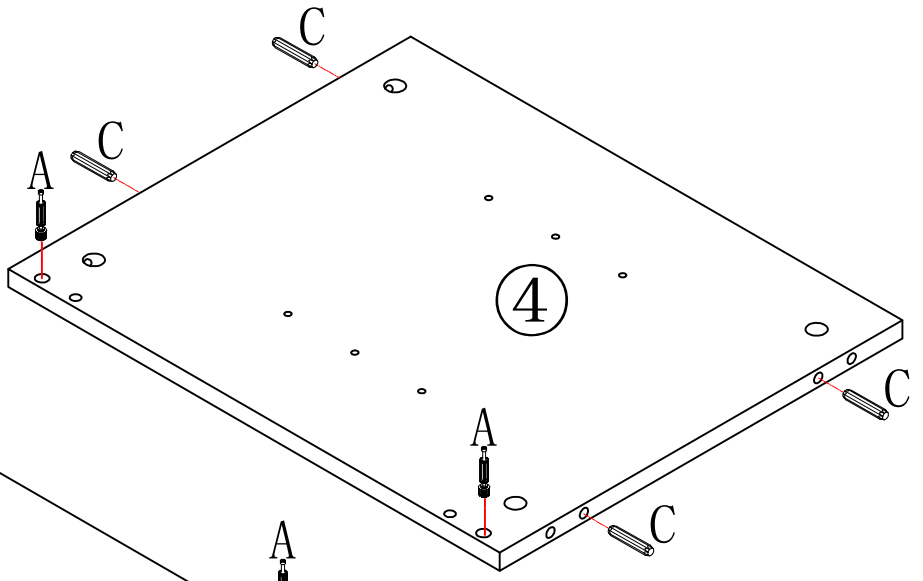
2



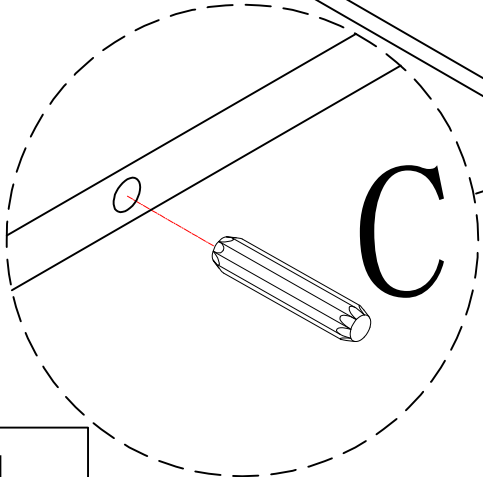
A



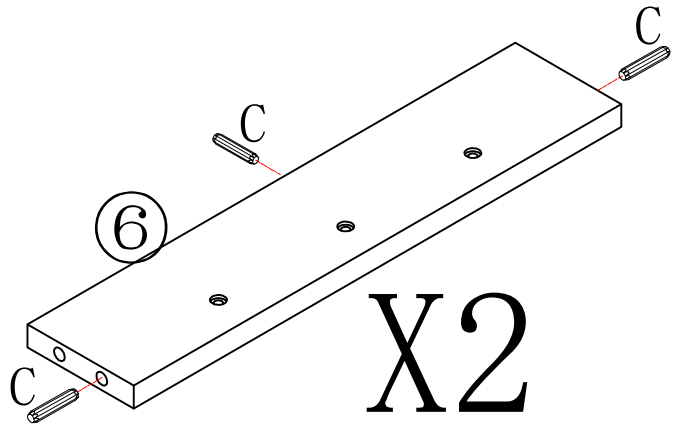
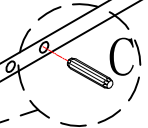
3



4


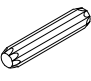


C



6

X2

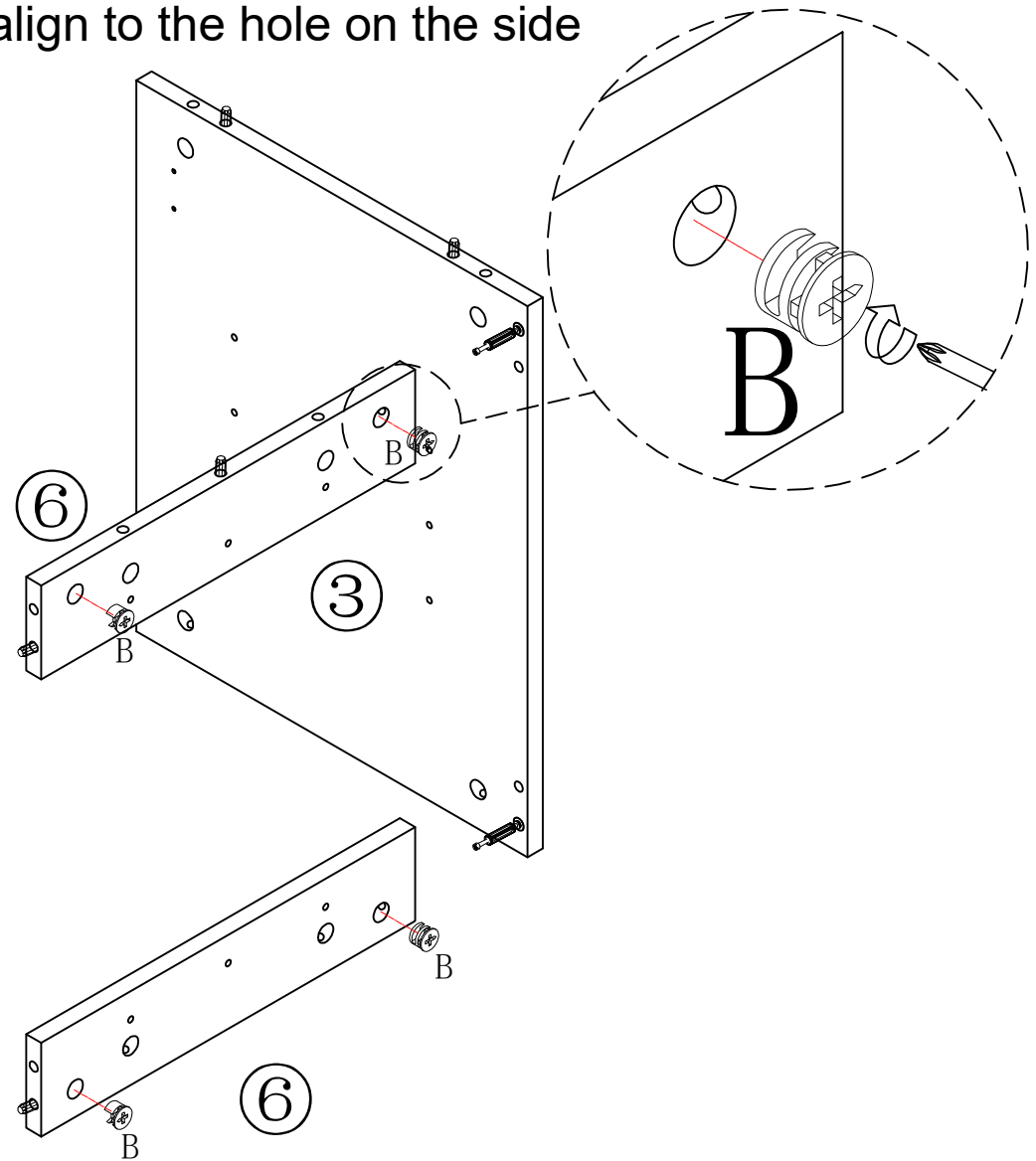
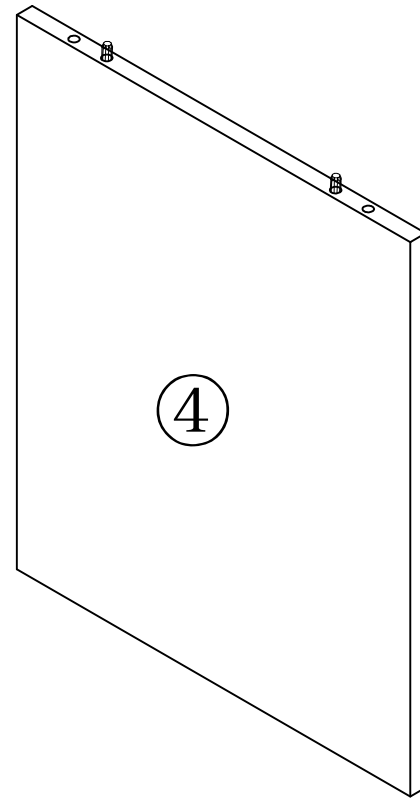
	A*4
	C*14

put A on board 3 4

put C on board 3 4 6

3

Make sure the arrow on the screw align to the hole on the side

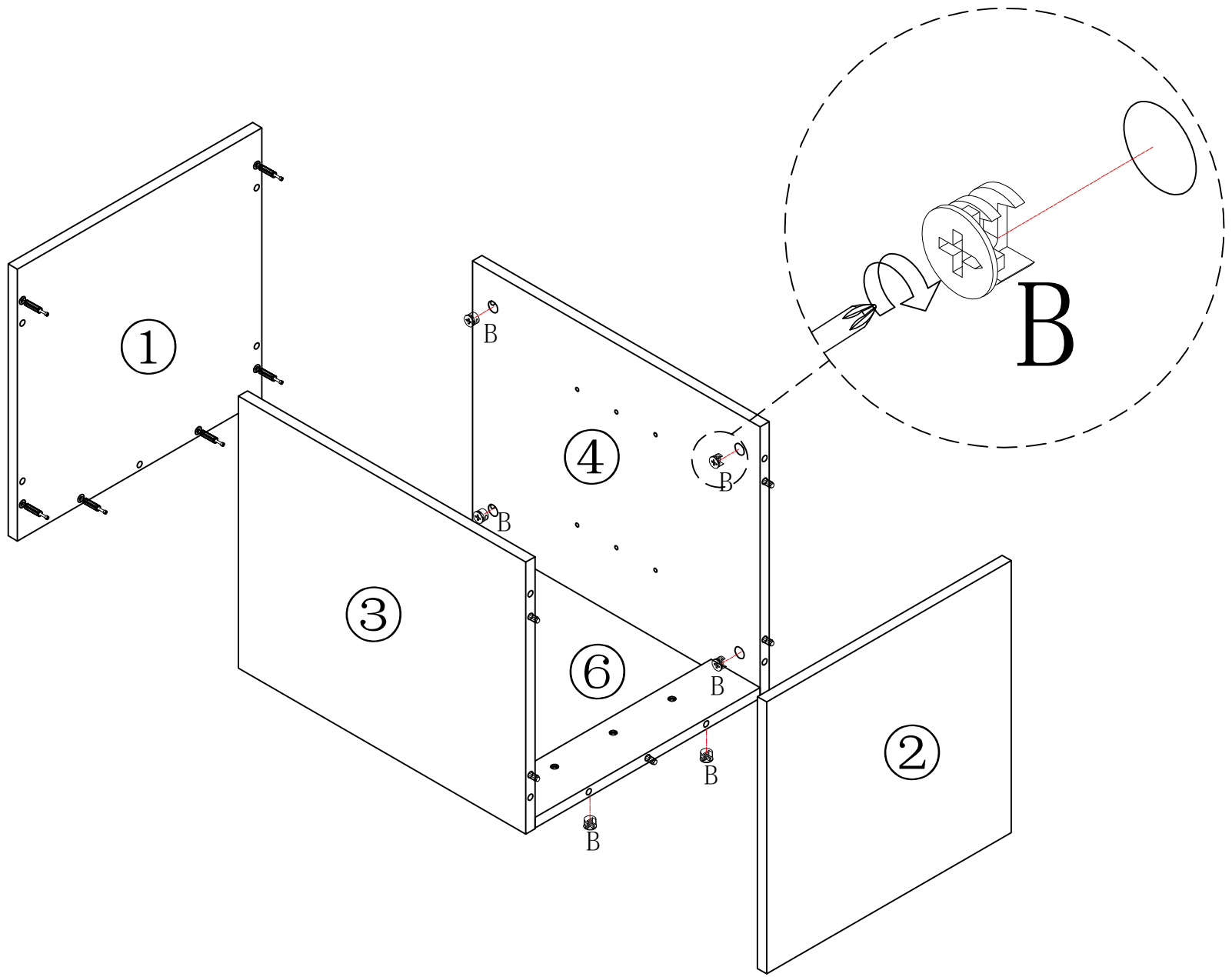


put B on board ⑥



B*4

4

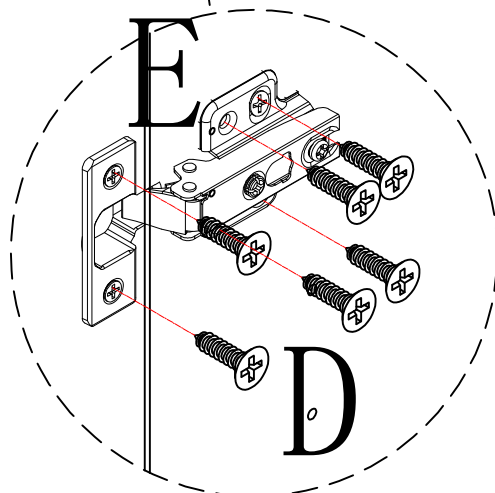
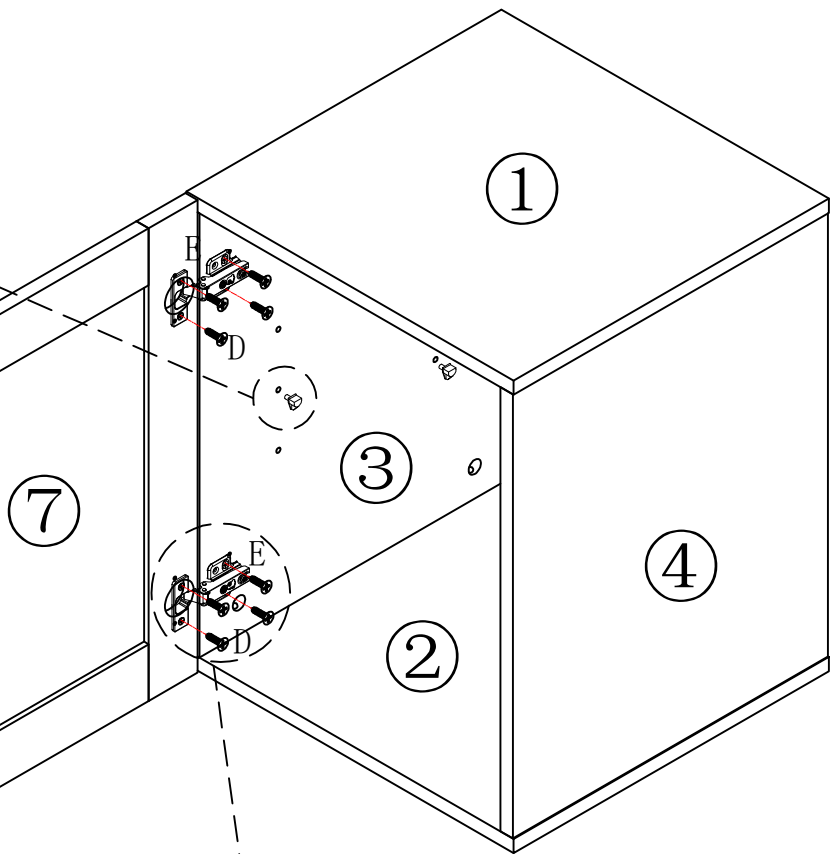
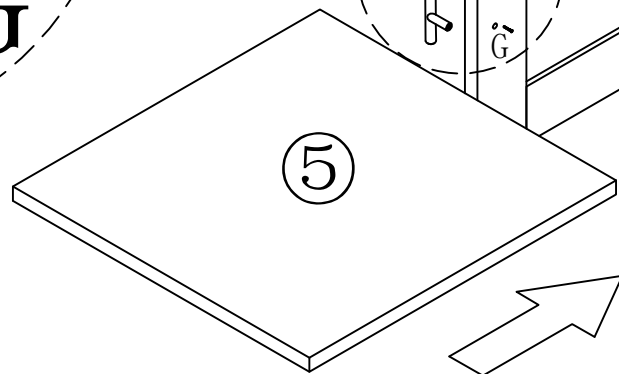
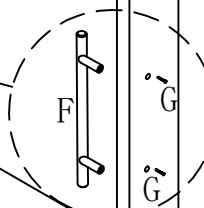
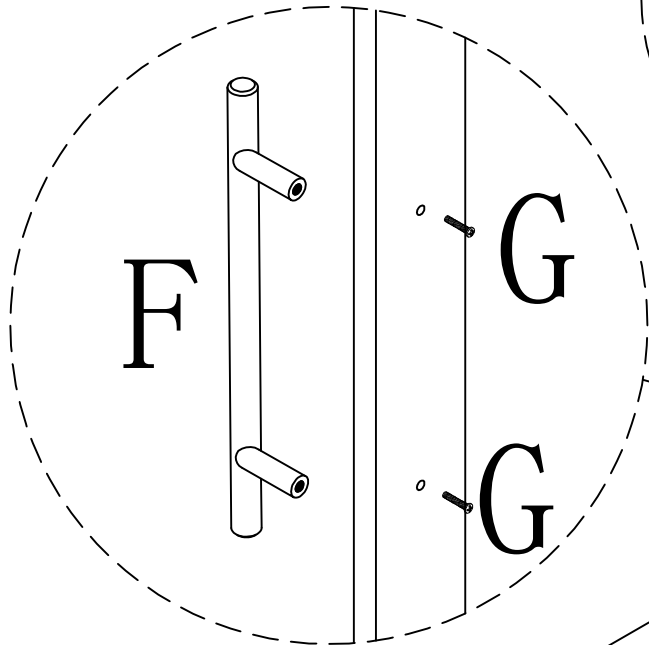
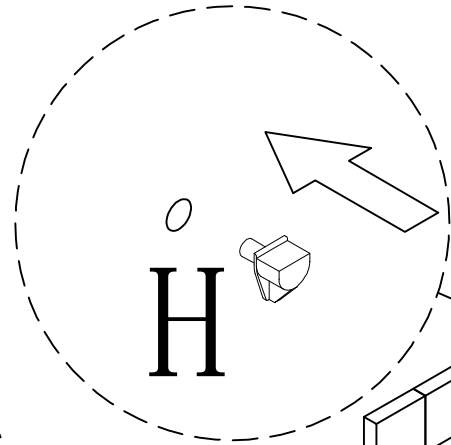




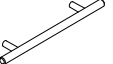
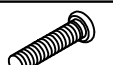
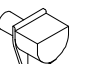
put B on board ③ ④ ⑥



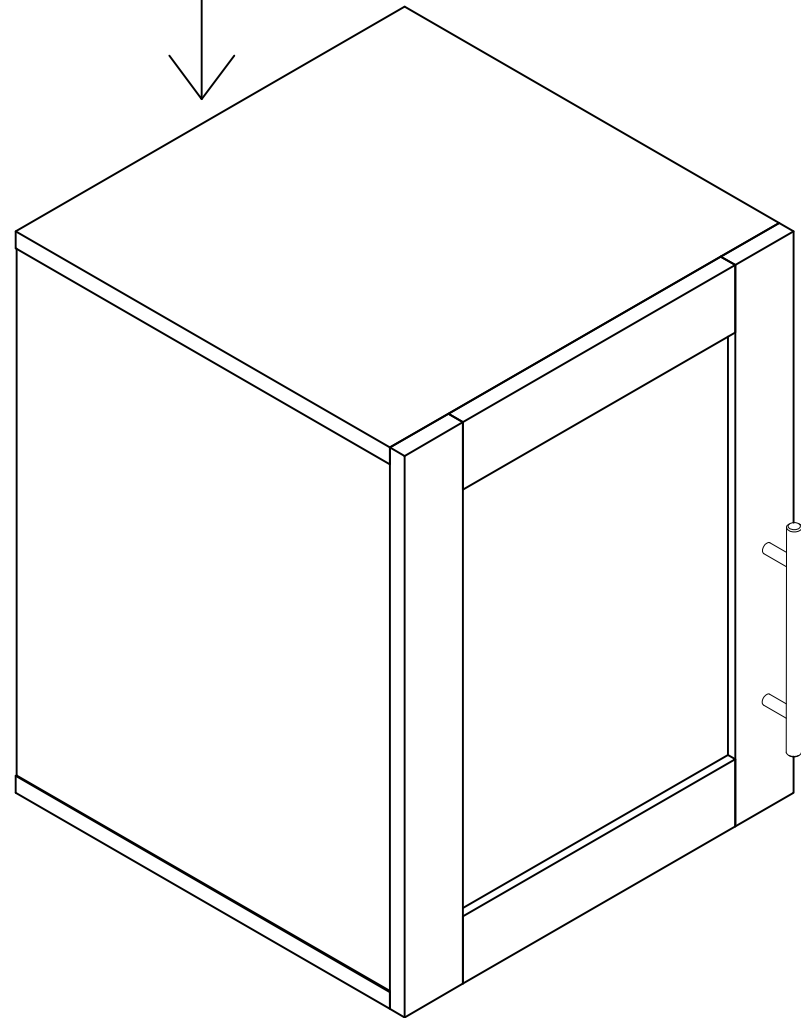
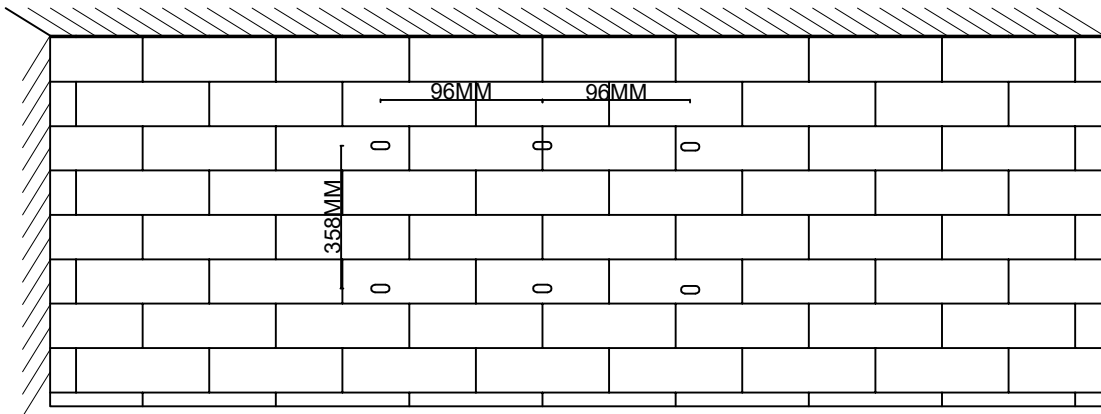
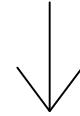
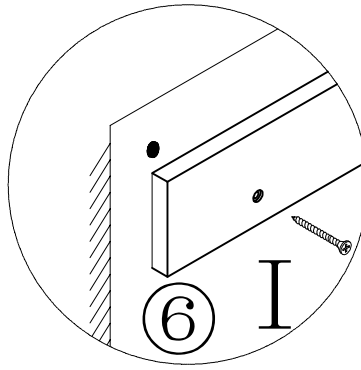
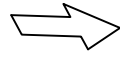
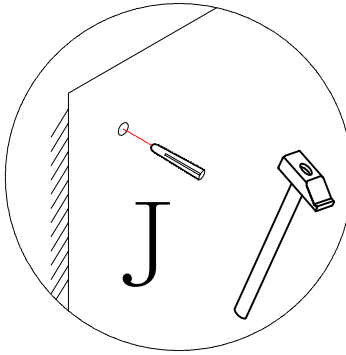
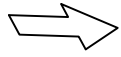
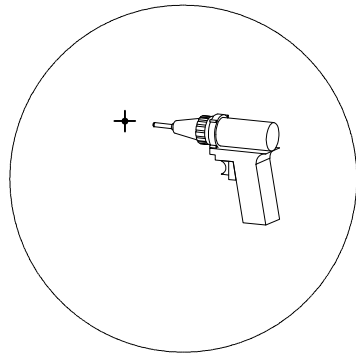
B*12

5



	D*12
	E*2
	F*1
	G*2
	H*4

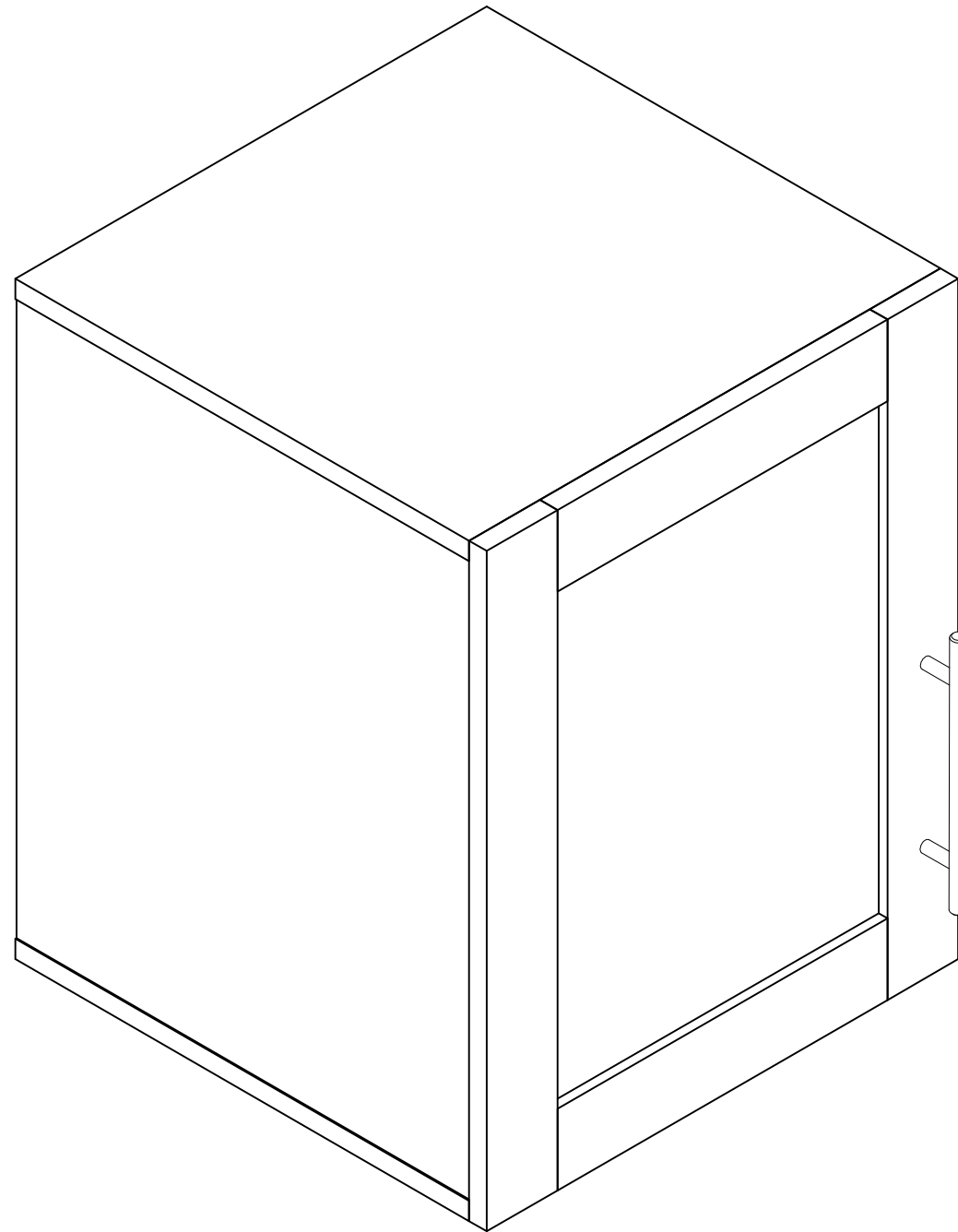
6



I*6



J*6



END