



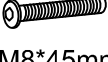


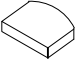

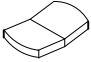

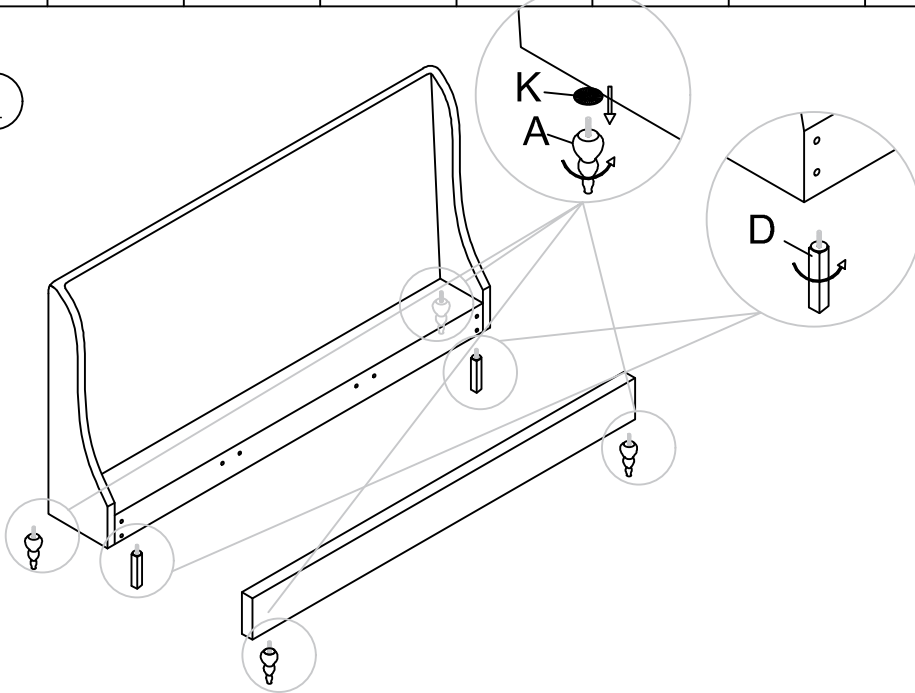


BONFILS TWIN Assmby Instruction

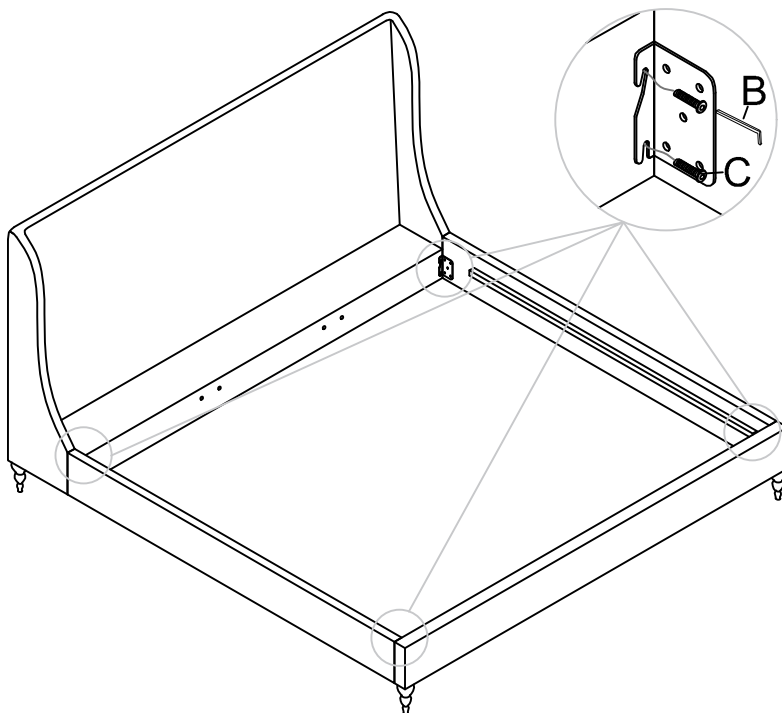
A	B	C	D	E	F	G	H	I	J	K
		 M8*25mm		 M8*45mm						
4PCS	1PC	16PCS	2PCS	4PCS	2PCS	4PCS	24PCS	36PCS	24PCS	4PCS

①



Step1
Tighten the legs "A" at the end of the headboard and footboard with "K". Tighten the support legs "D" to the headboard.

②

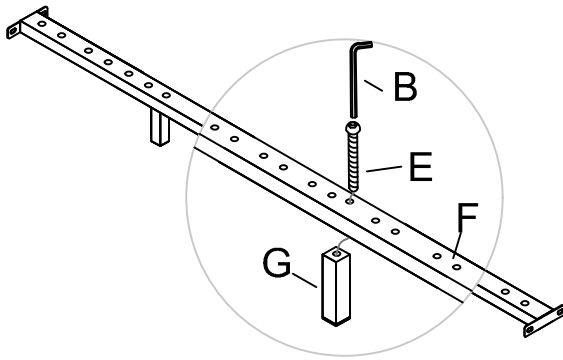


Step2
Attach sideboard to headboard and footboard with "C" by using Allen key "B".

CONGRATULATIONS ON YOUR NEW BED PURCHASE

-Warning: don't move bed after find assembly as it may result in damages to floor and/or bed.-

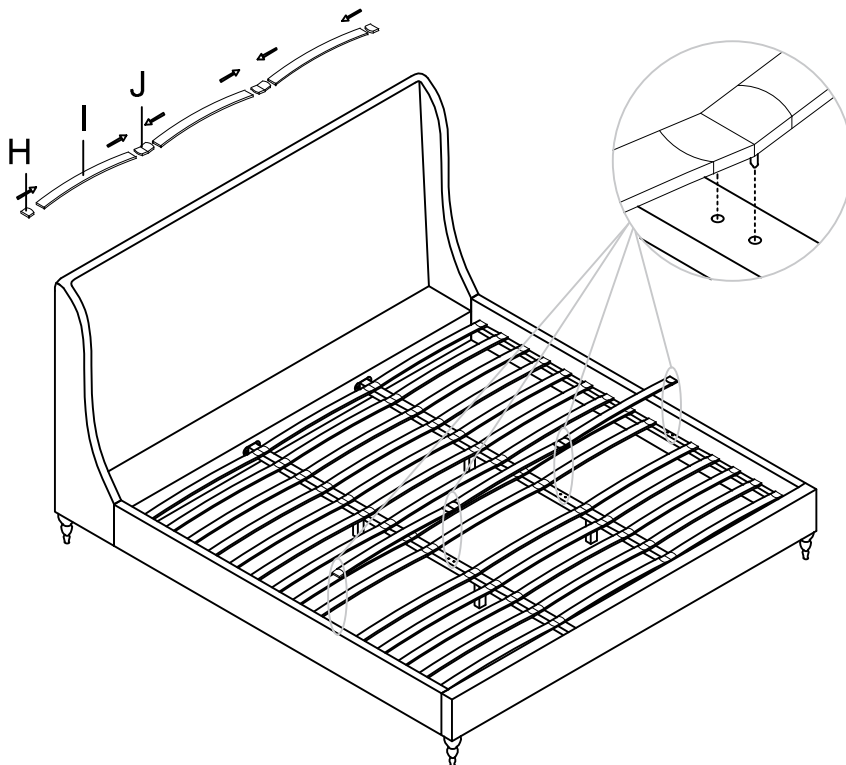
3



Step3

Attach middle legs "G" to middle bar "F" with "E" by using Allen key "B".

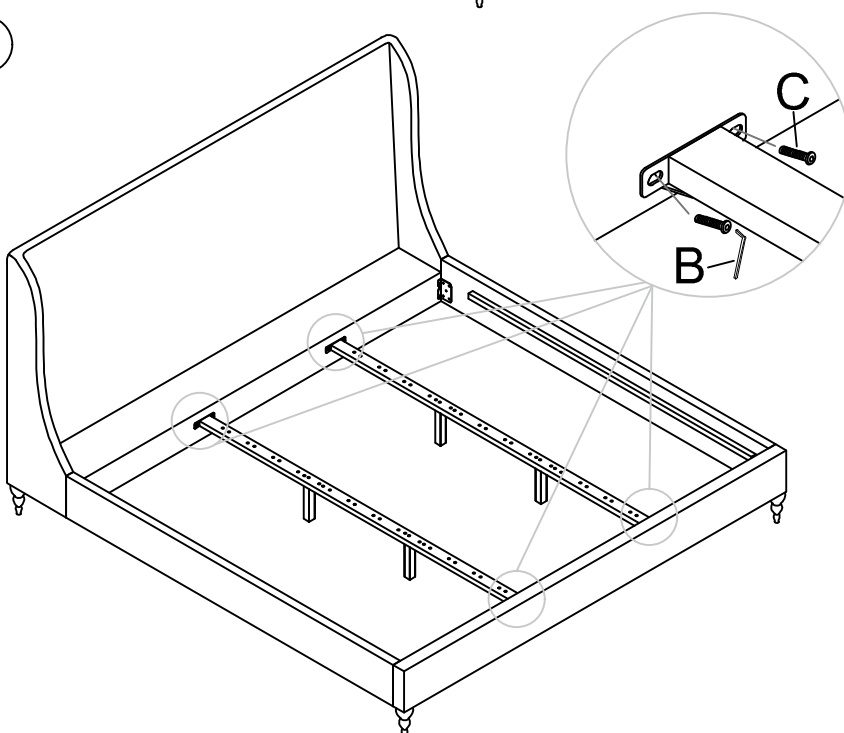
4



Step4

Attach middle bar to headboard and footboard with "C" by using Allen key "B".

5



Step5

Attach slats caps "H" to the ends of slats, connect slats with "J" in center, gently press the caps on the sideboard and middle bar, the assembly is finished.

CONGRATULATIONS ON YOUR NEW BED PURCHASE

-Warning: don't move bed after final assembly as it may result in damages to floor and/or bed.-