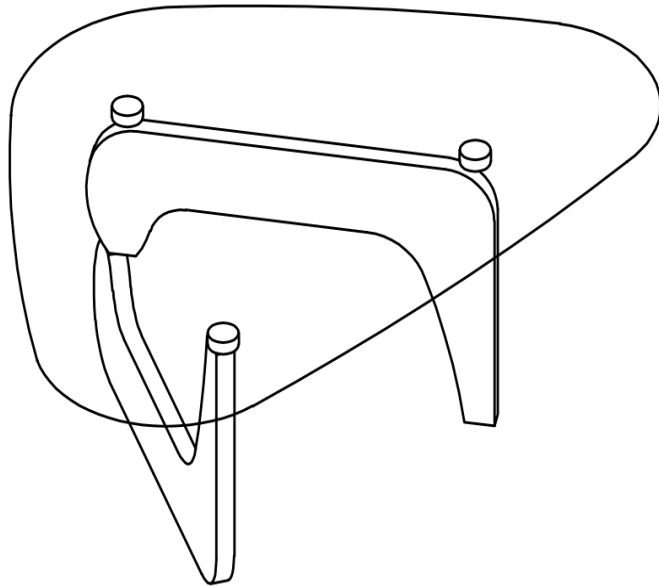




# ASSEMBLY INSTRUCTION


## TEA TABLE



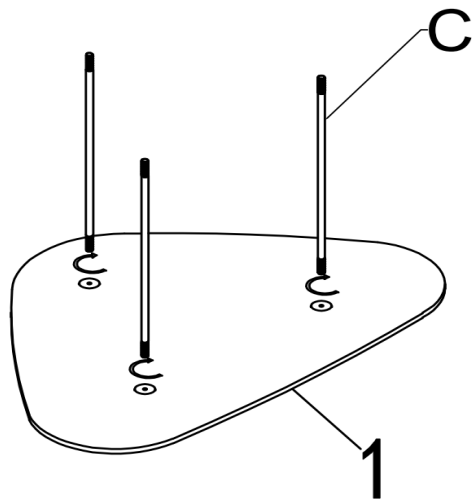
### Component List

LABEL		DESCRIPTION	QTY
1		Tea table top	1
2		Tea table legs	2

# Hardware List

LABEL		DESCRIPTION	QTY
A		Allen Wrench	1
B		Nut M8*18mm	3
C		Lead Screw M8*395mm	3
D		Wool Fiber 20mm	3

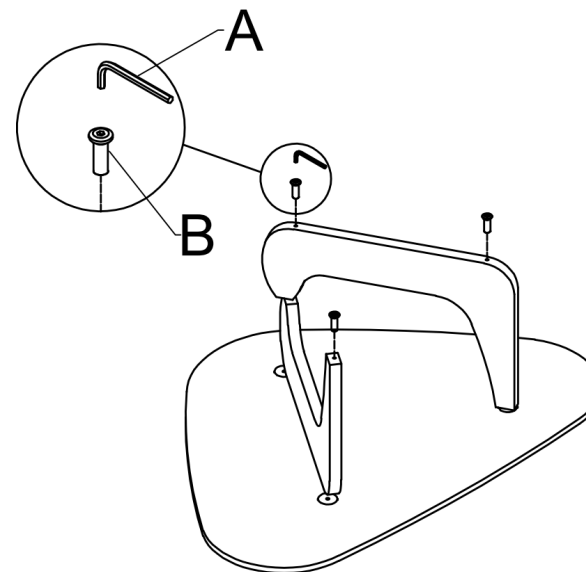
①





70%

 CX3

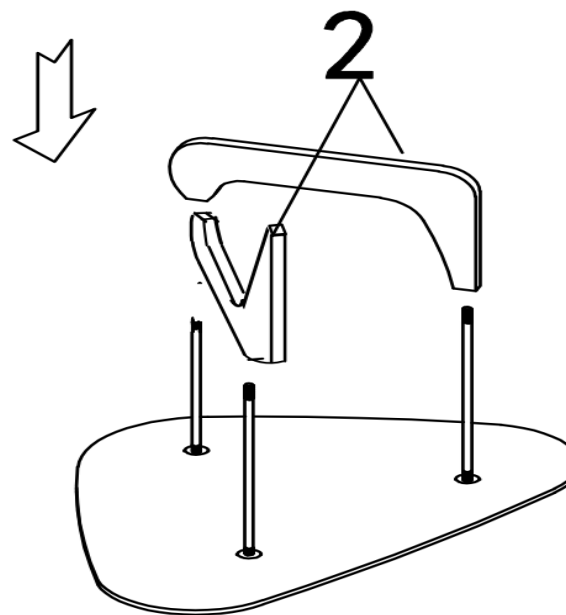
③



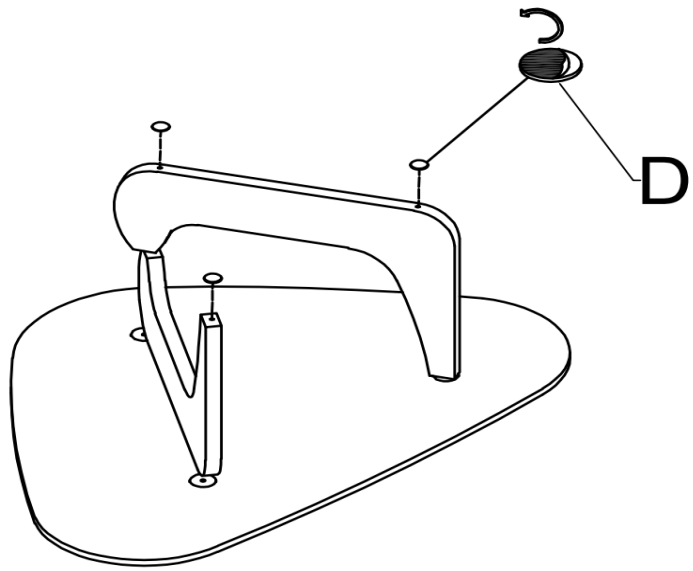
100%

 A × 1  
 B × 3

②



4



○ D × 3

5

