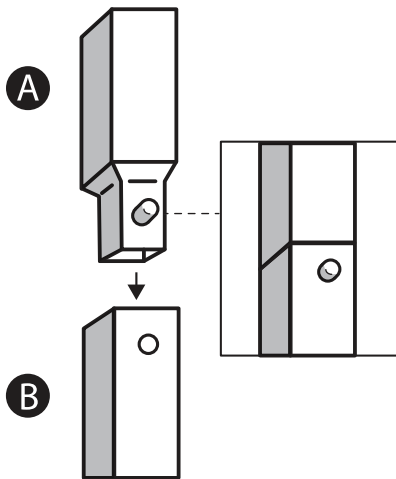


Tools Required: (Not Included): Drill, Screwdriver

Package Contents:

| | | | |
|-------------------------------------|--|--|---|
| <p>A Top Rack</p> <p>1PC</p> | <p>Middle Rack B</p> <p>1PC</p> | <p>Bottom Rack C</p> <p>1PC</p> | <p>D Wall Anchor</p> <p>5PCS</p> |
| | | | <p>E Wall Screw</p> <p>5PCS</p> |

①



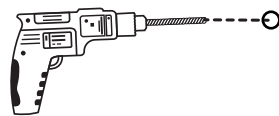
Step 1: Connect Top Rack (A) to Middle Rack (B) by pressing the button on the Top Rack (A) and sliding into the Middle Rack (B). Ensure the racks are secured tight. It will make a snapping sound when connected correctly. Repeat these steps to attach the middle rack (B) to the bottom rack (C).

②



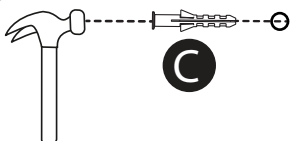
Step 2: Place assembled wine rack against wall where you want it to hang. Mark each hole with a pencil.

③



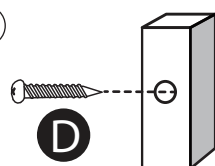
Step 3: Drill holes into all the marked areas with a twist drill bit.

④



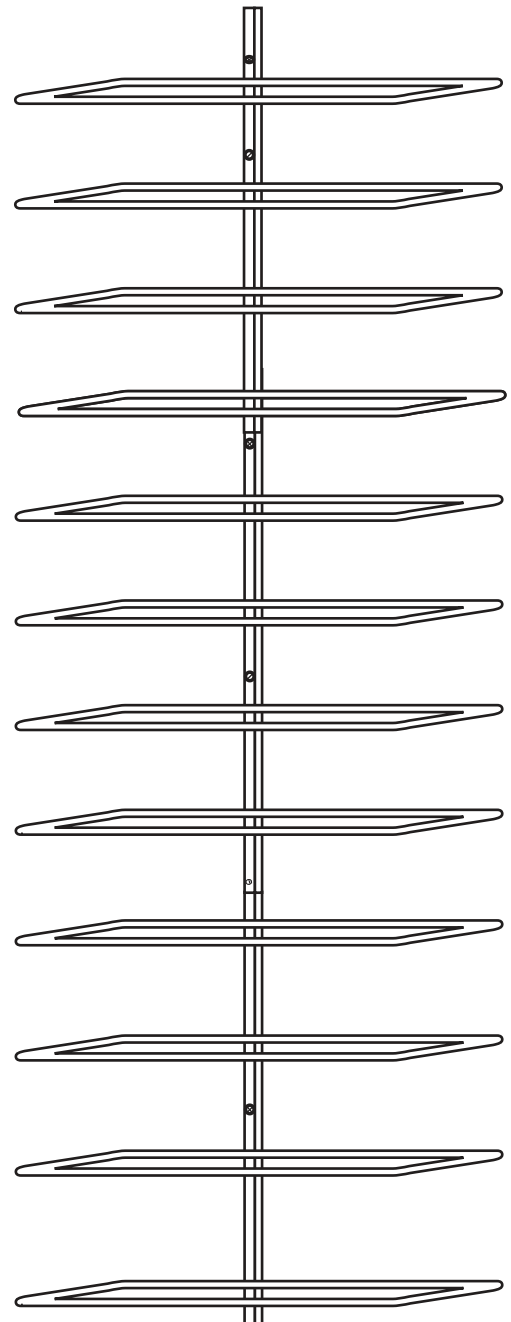
Step 4: Hammer all wall anchors (C) into the marked areas.

⑤



Step 5: Secure the assembled rack to wall with the three wall screws

Assembled Rack



After ensuring the wine rack is fully secured to the wall, start stacking!