

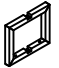



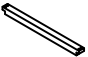





Assembly Instruction for

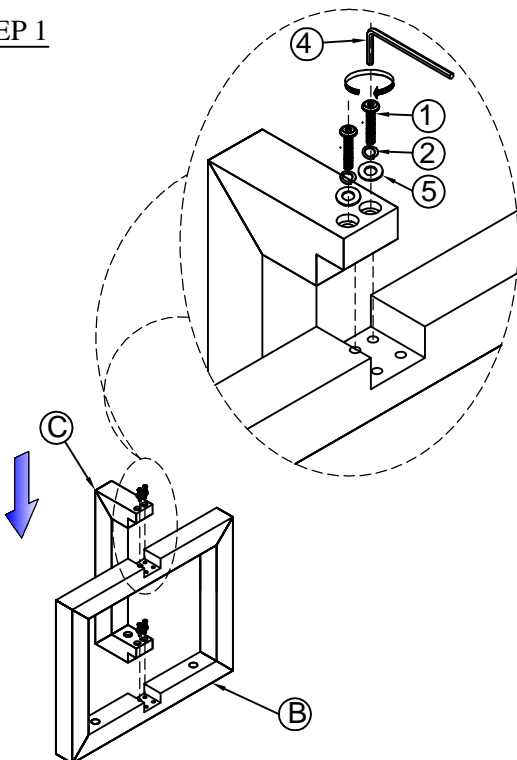
COFFEE TABLE

Caution: Please read instructions thoroughly before unpacking assembly parts. Sharp, exposed staple tips can cause injury, therefore, for your protection, please remove any exposed staples used in packing.

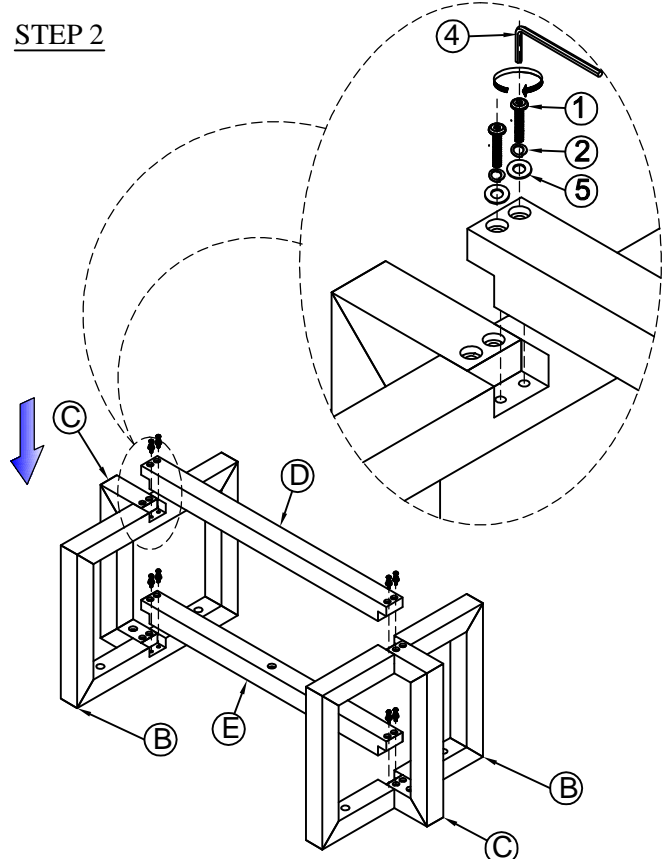
1. We recommend that you should assemble this product with the assistance of another person; this will make assembly easier, and will help to eliminate damage the product or injury to persons during assembly.
2. Be sure to check all packing materials carefully for small parts that may have come loose inside the carton during shipment.
3. Please do not over tighten screws or bolts .
4. Please put all parts on a non - abrasive floor before assembly, and follow the assembly steps to assemble your newly purchased product correctly and efficiently.

PARTS LIST				HARDWARE LIST				
No	PARTS DESC.		CODE.	Q'TY.	No	HARDWARE DESC.	CODE.	Q'TY.
A		TOP	PCTMS100CTTOP	1PC	1	 BOLT 1/4"x 32mm	PCTMS100CTHW	23PCS
B		FRAME LEG 1	PCTMS100CTLEG 1	2PCS	2	 SPRING WASHER Ø1/4"		23PCS
C		FRAME LEG 2	PCTMS100CTLEG 2	2PCS	3	 FLAT WASHER Ø1/4" Ø16x2mm		7PCS
D		BOTTOM STRETCHER	PCTMS100CTBOTSTRETCHER	1PC	4	 ALLEN KEY 2-1/4"x4mm		1PC
E		TOP STRETCHER	PCTMS100CTTOPSTRETCHER	1PC	5	 FLAT WASHER Ø1/4" Ø12x2mm		16PCS

STEP 1



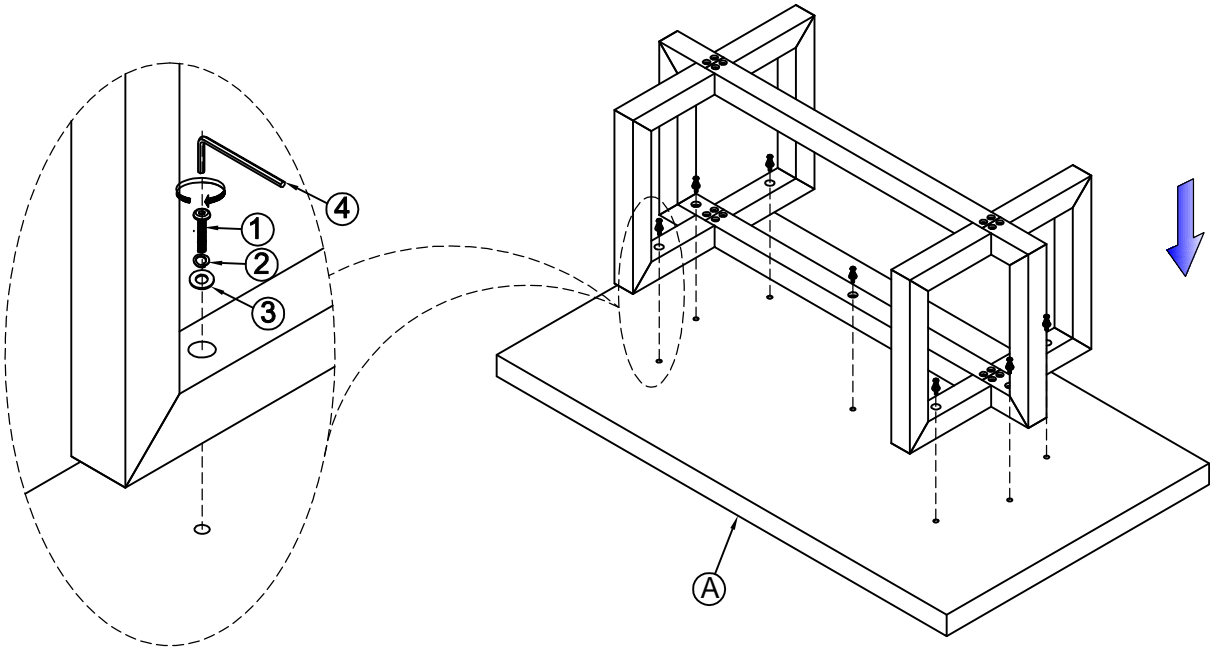
STEP 2



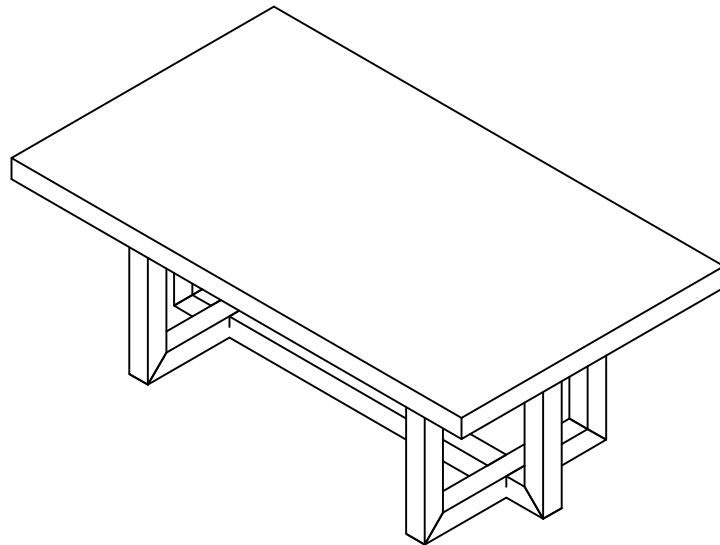
Assembly Instruction for

COFFEE TABLE

STEP 3



STEP 4



Assembly completed