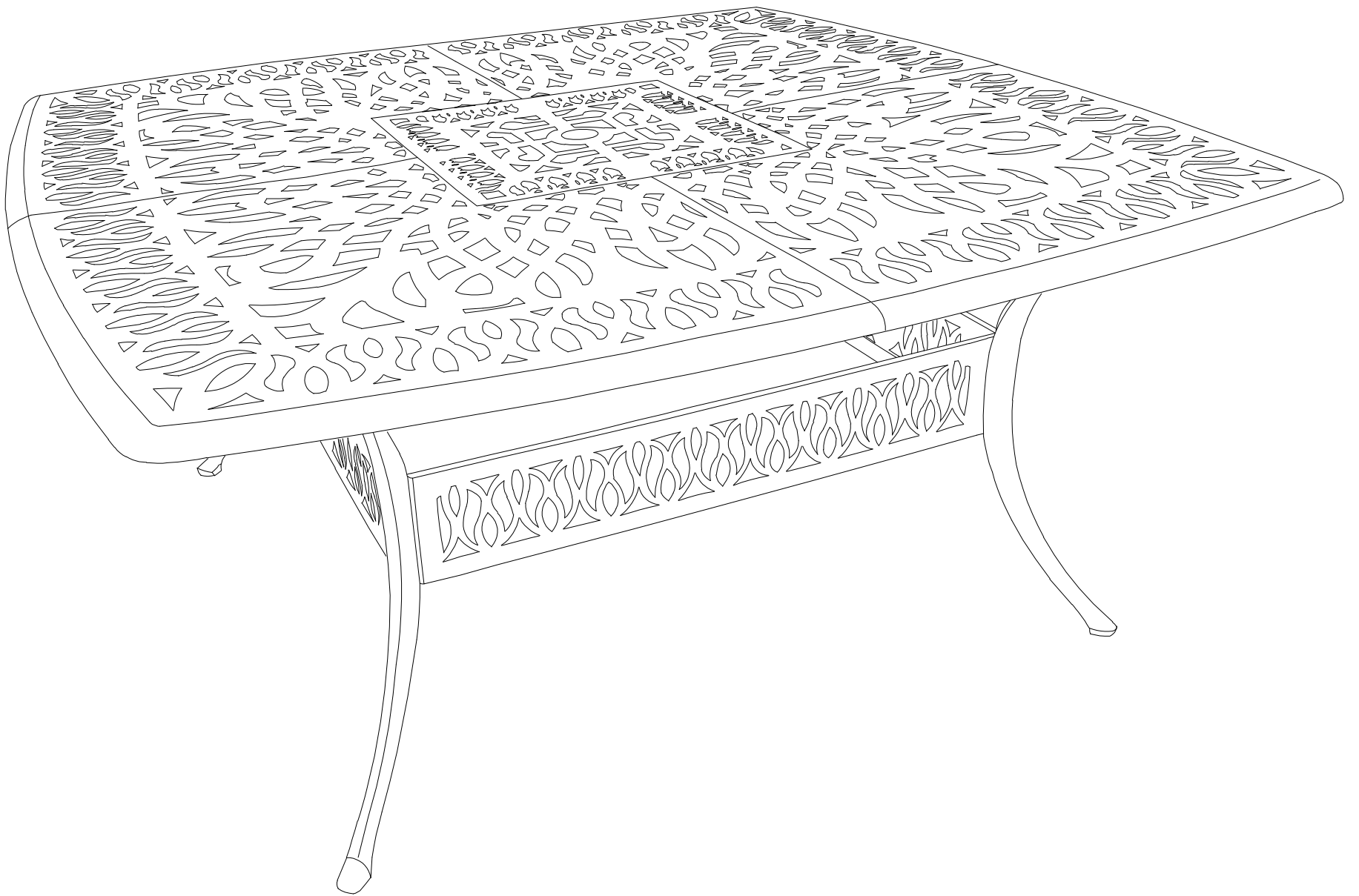


Cast Aluminum Table

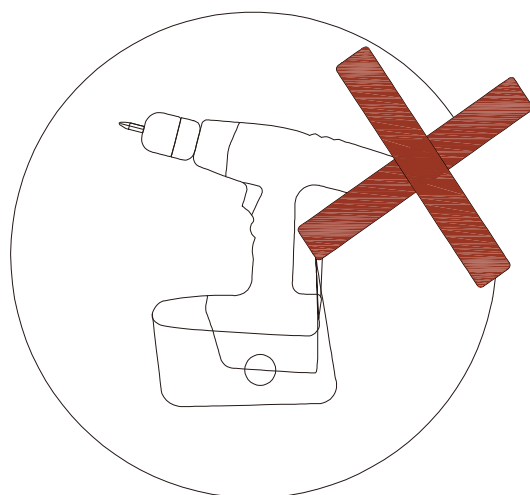
Assemble Manual



Please read this manual completely before assembly.

! NOTE 1

Please use the provided tools to manually install this product.
DO NOT use power tools.

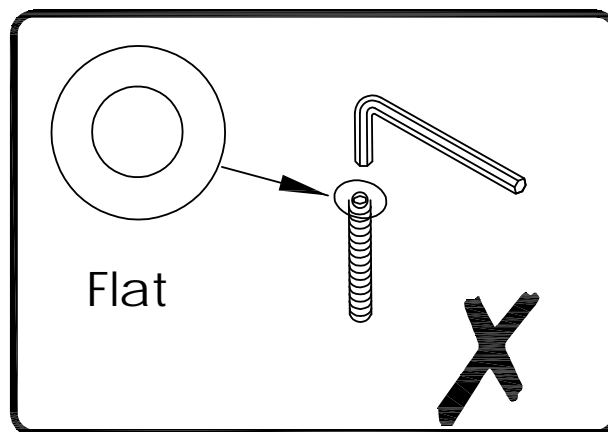
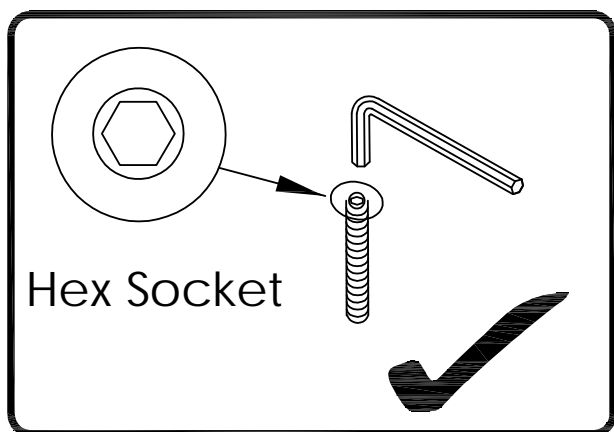


! NOTE 2

Do not assemble it on flooring or carpet. We suggest you assemble the table on a flat surface with bubble wrap underneath to prevent scratching the Tabletop.

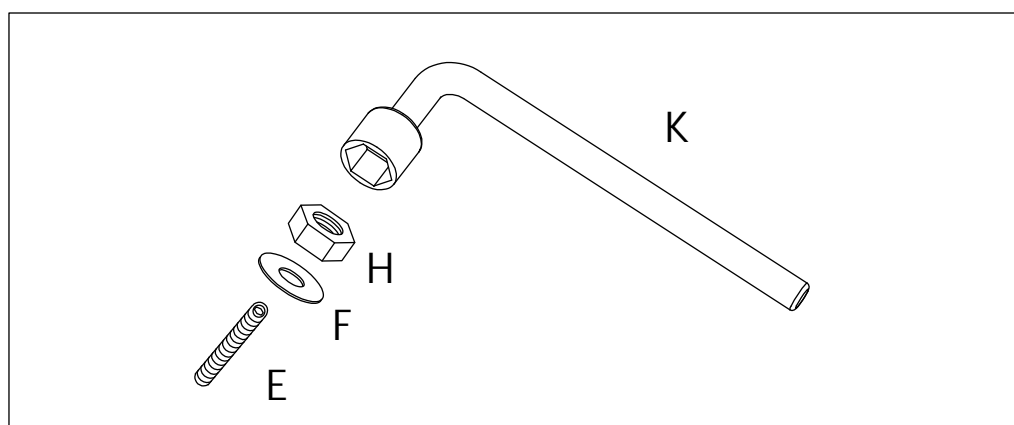
! NOTE 3

Make sure to leave the hex socket which is a six-sided recess on the outside for further tighten by Allen Wrench.

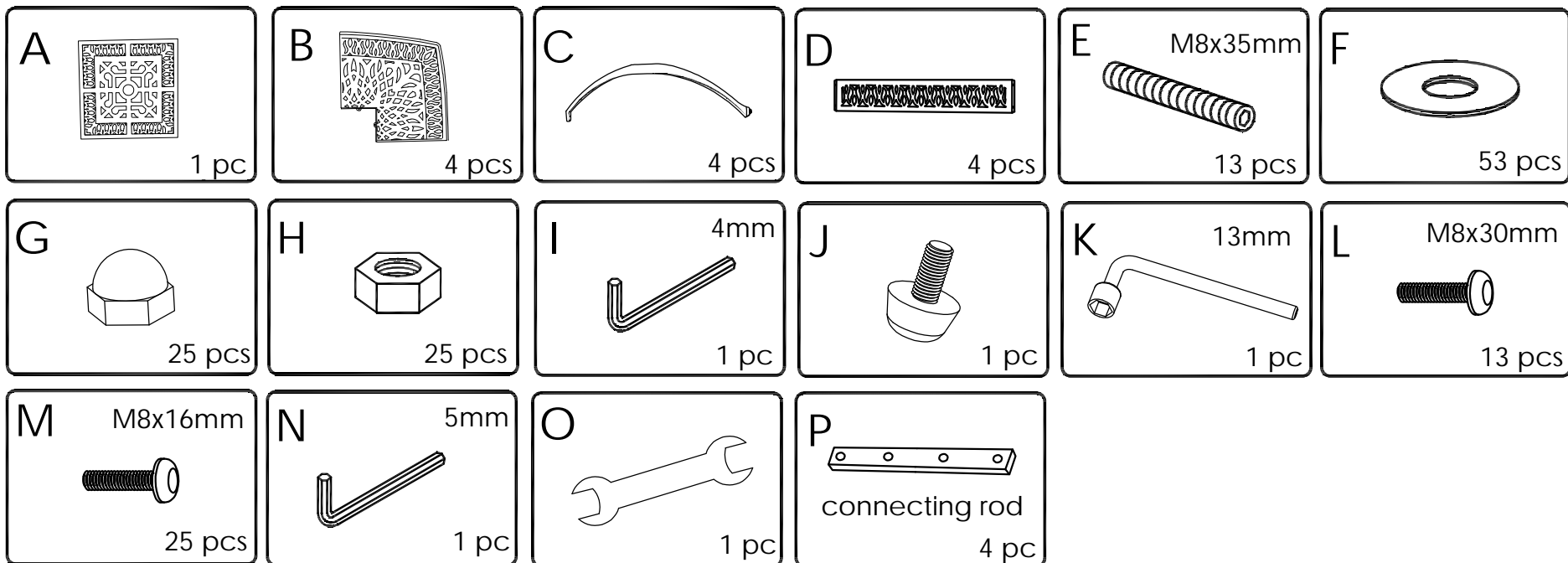


! NOTE 4

Both Socket "K" and Wrench "O" are used to tighten the nuts and are optional used during assembly.



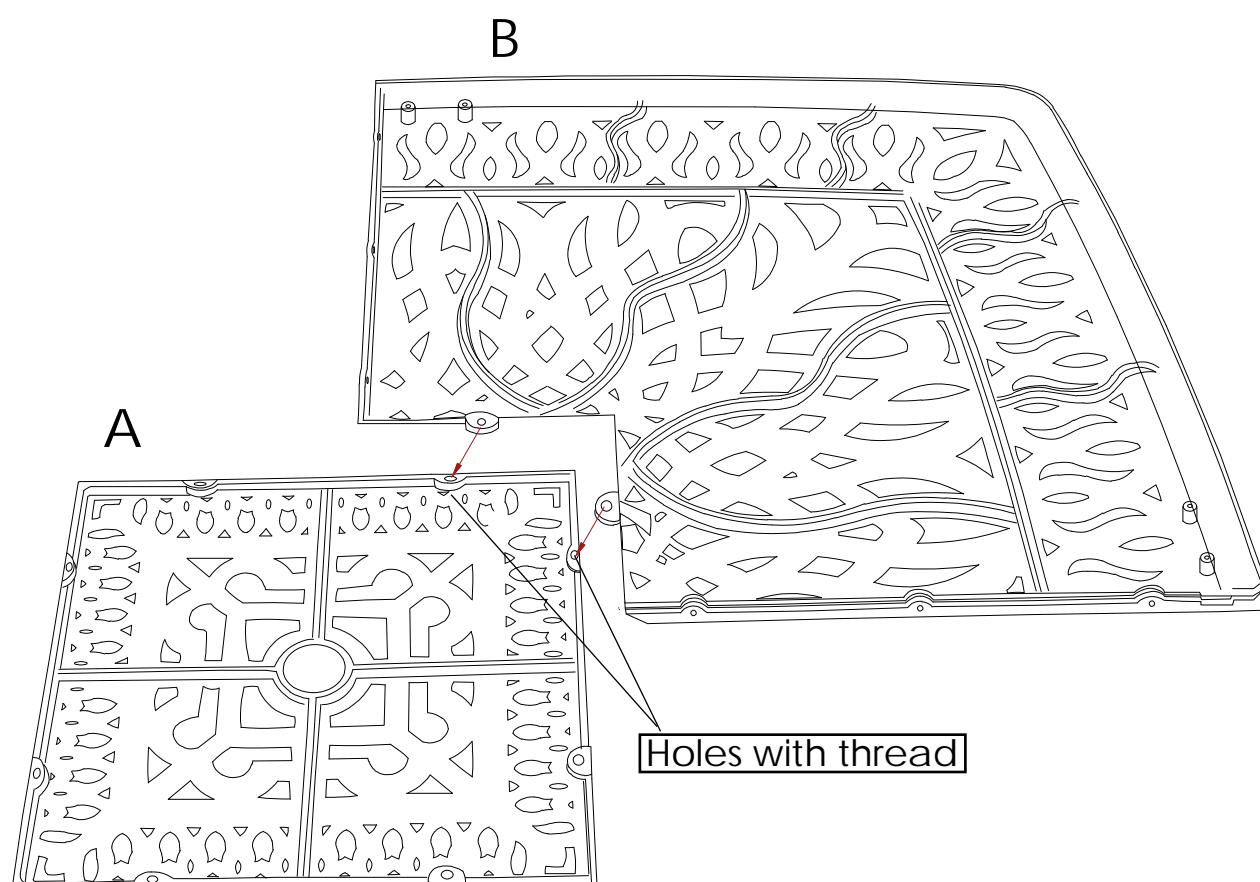
PARTS LIST



Step 1

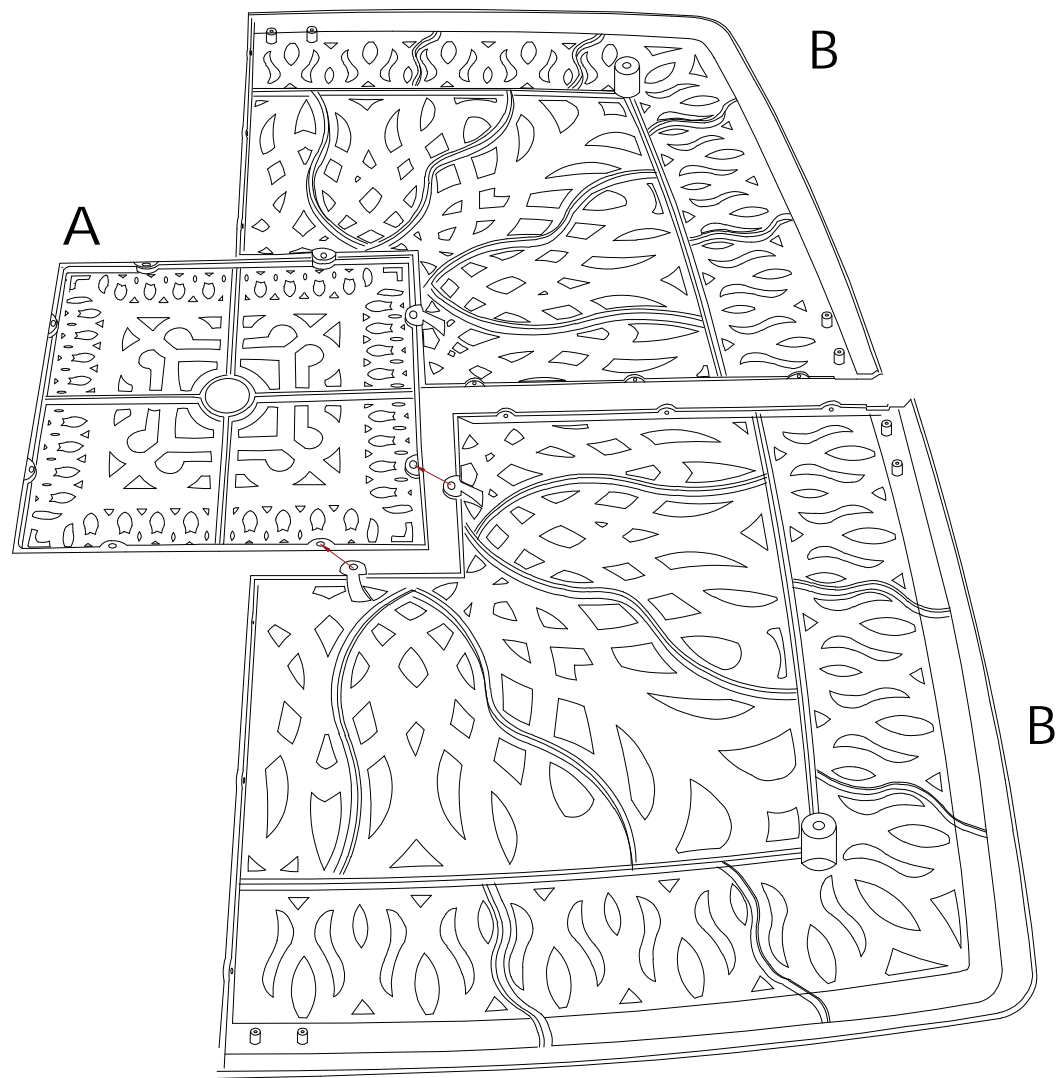
1. Lay Out the Panels: Place the middle tabletop panel (A) and the 4 corner tabletop panels (B) face down on a flat surface, ensuring they're on bubble wrap to protect them.

2. Align the Panels: Take one corner tabletop panel (B) and align it with the middle tabletop panel (A). Make sure that the holes on panel (B) that are unthreaded are above the threaded holes on panel (A).



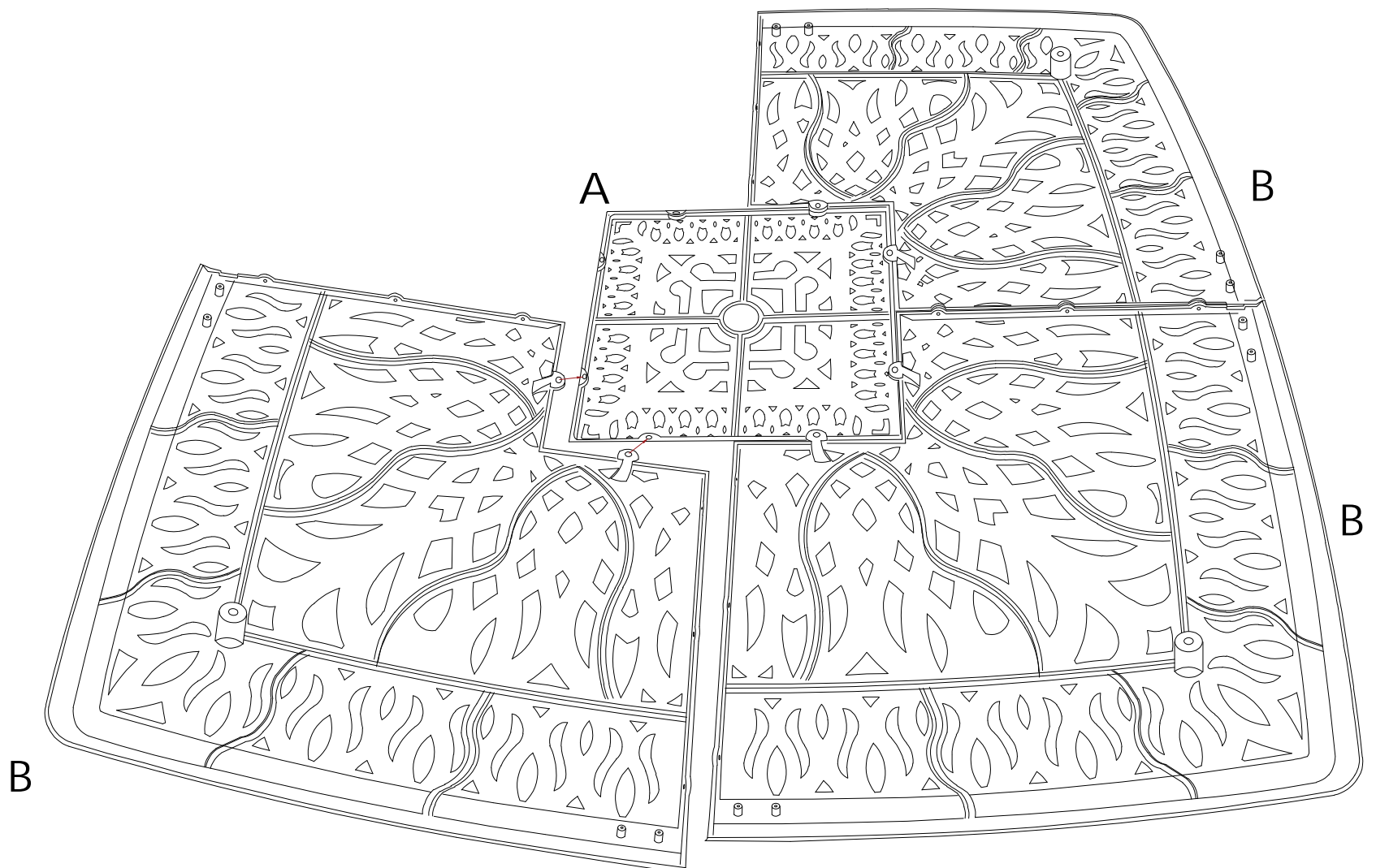
Step 2

Then, take the second corner tabletop panel (B) and align it with the holes on the middle tabletop panel (A).



Step 3

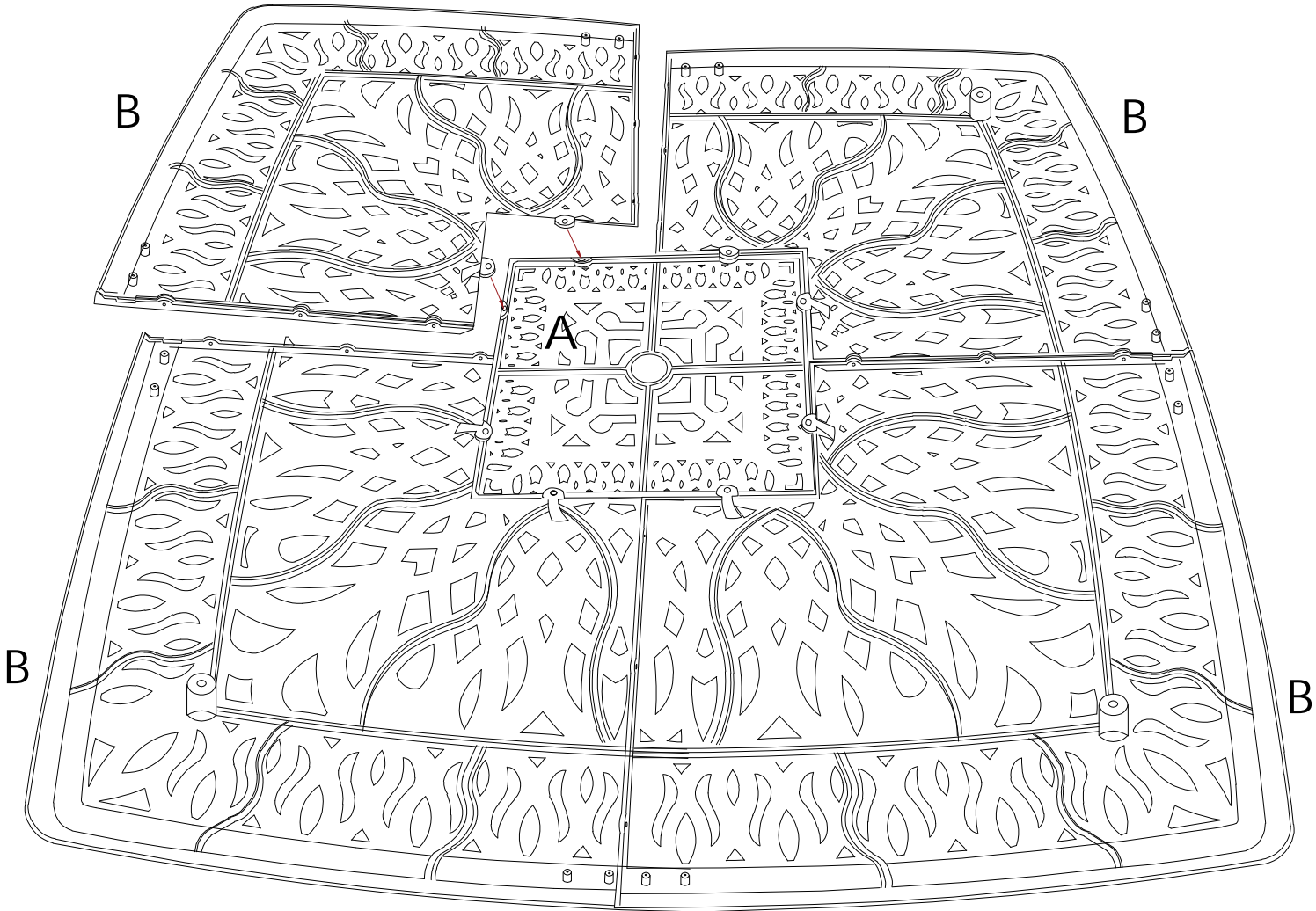
Place the third corner tabletop panel (B) and align the holes as shown in the diagram below.



Step 4

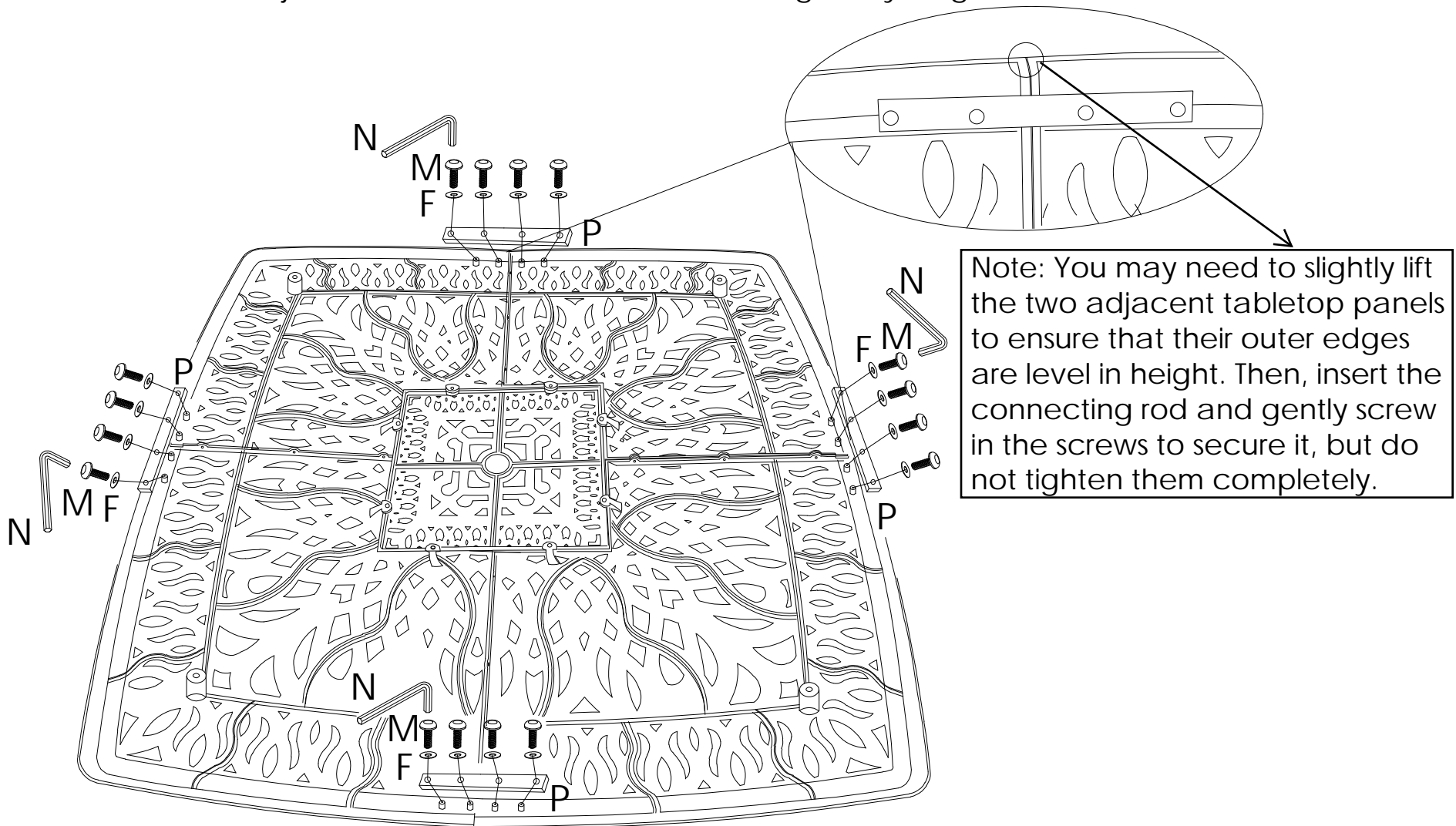
Then, place the fourth corner tabletop panel (B) and align the holes as shown in the diagram below.

Now all five tabletop panels are in the correct position.



Step 5

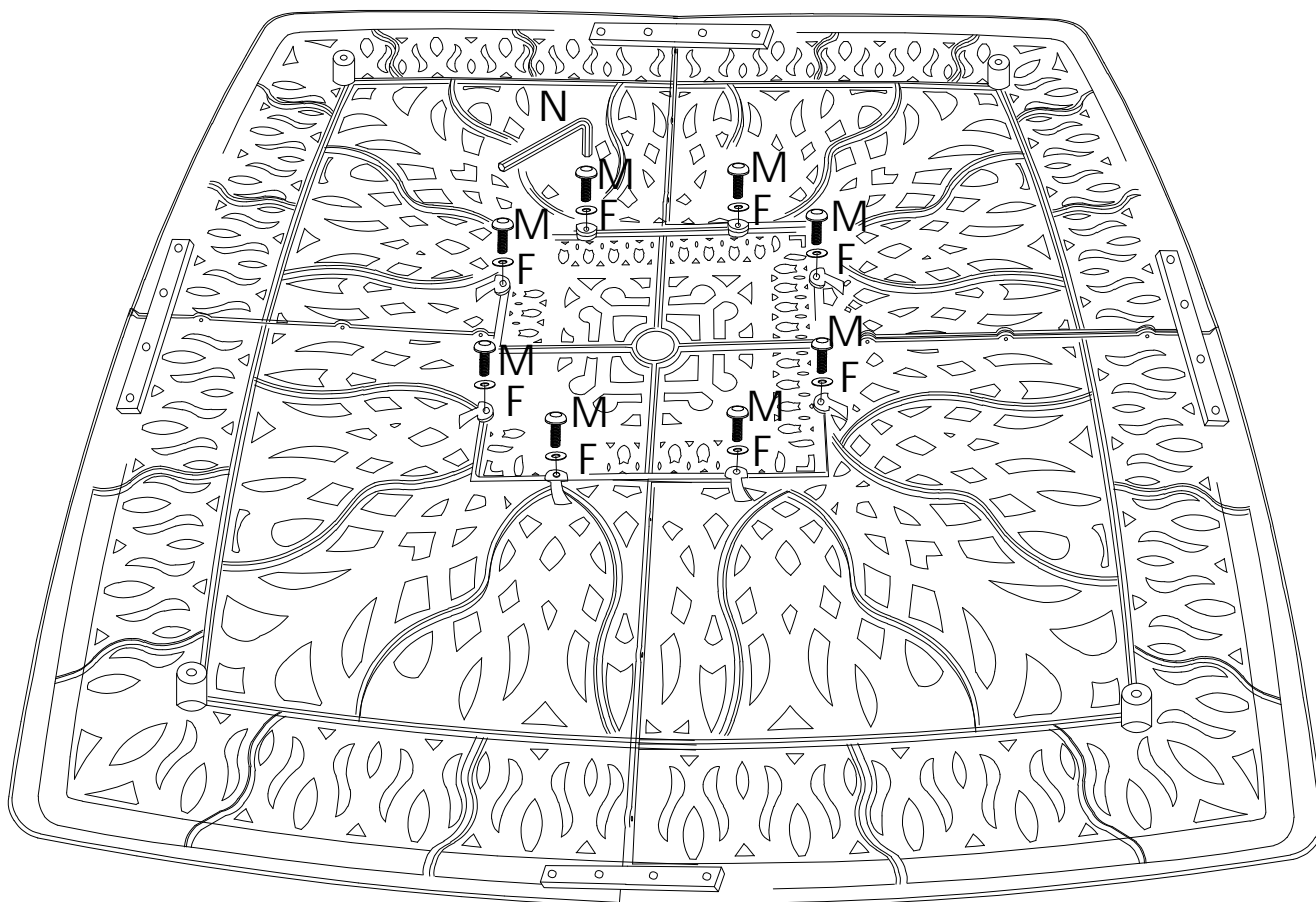
Insert the grooved side of the connecting rod (P) into the connection sections of each tabletop panel. Then, partially insert the screws (M) to hold the pieces in place, but do not fully tighten them yet. This will allow for adjustments to be made before securing everything.



Step 6

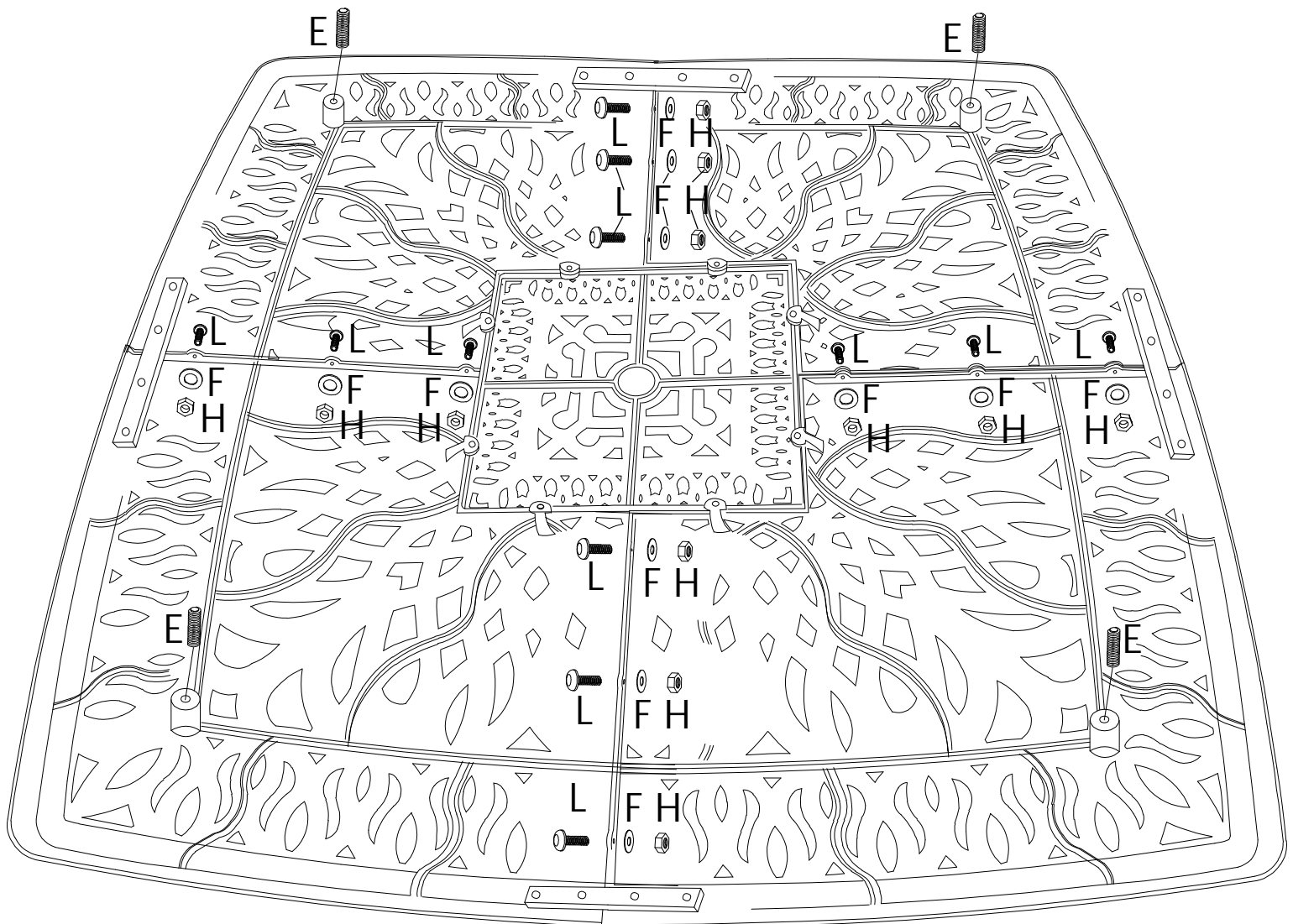
As shown in the diagram below, partially insert the screws (M) into the designated positions to secure the parts in place, but do not fully tighten them.

This allows for adjustments before securing all the parts.

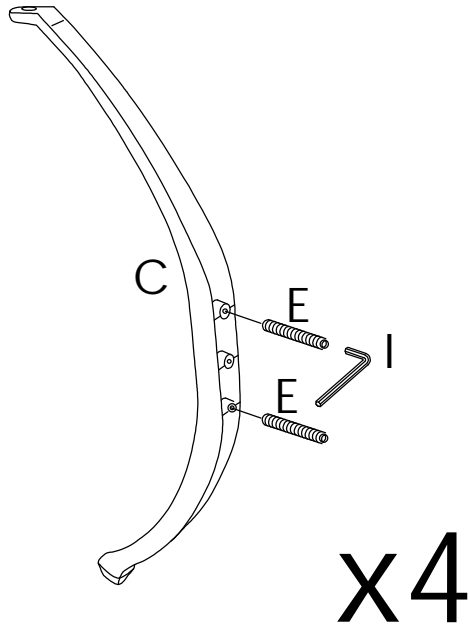


Step 7

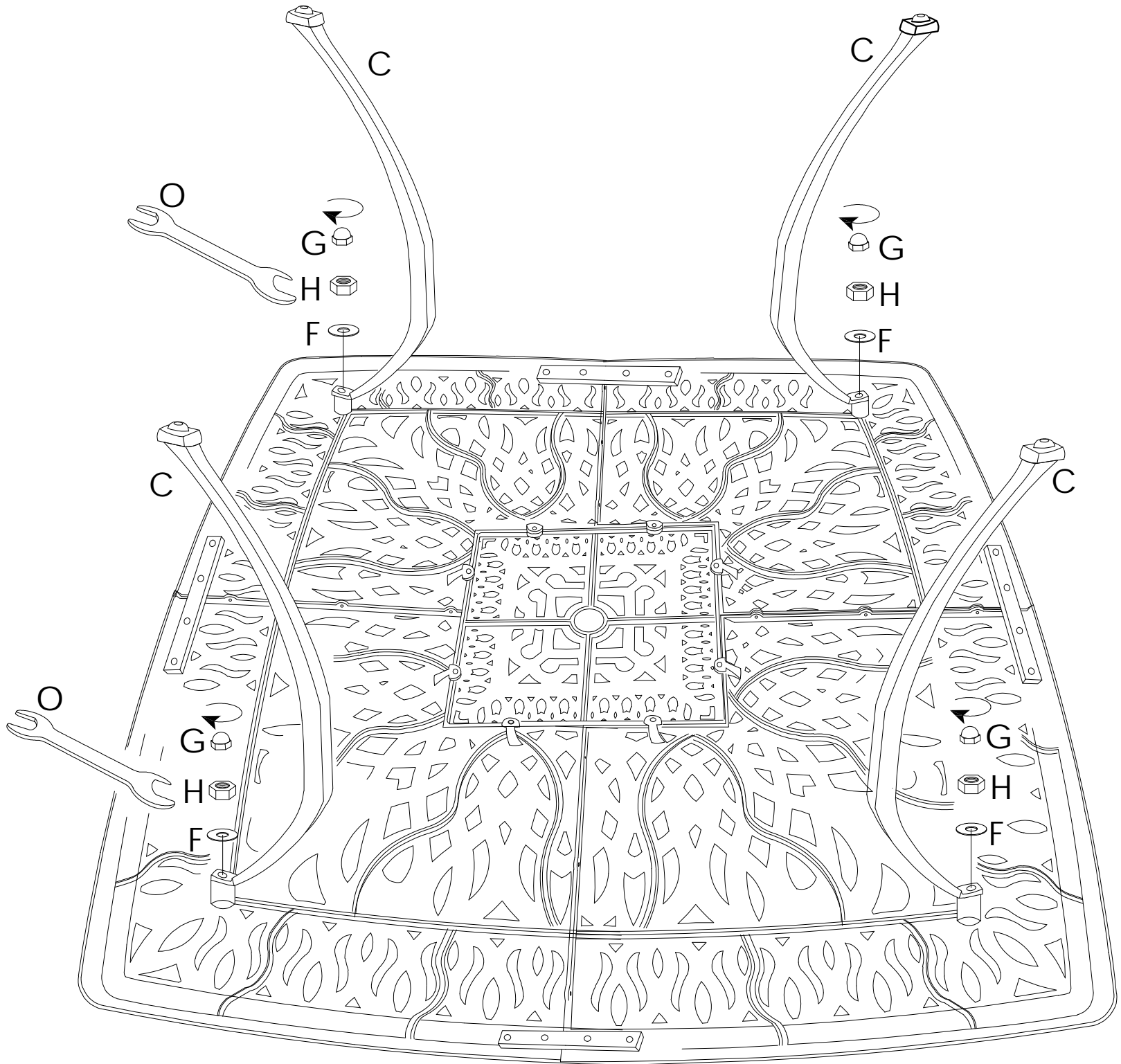
1. At the designated positions in the four corners of the table, insert the threaded bolts (E) and tighten them.
2. Next, along the connection line of the two tabletop panels, horizontally insert the screws (L) along with the washers (F) and nuts (H) to secure the parts in place, but do not fully tighten. This allows for adjustments before securing all the parts.



Step 8 Insert the threaded bolts (E) into the four legs (C) and tighten them.



Step 9 Attach the table legs.

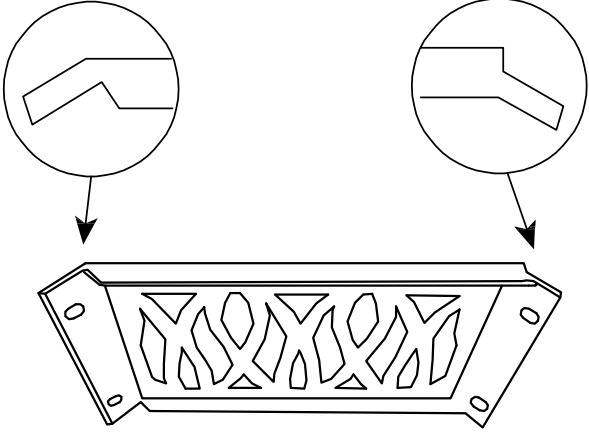


⚠ Don't tighten all the nuts until the assembly is finished

Step 10 Attach the table support panels (D).

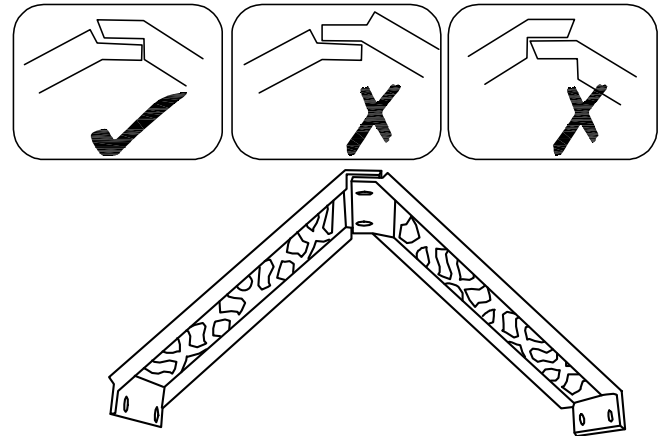
Note 1

It's different two side of this part.



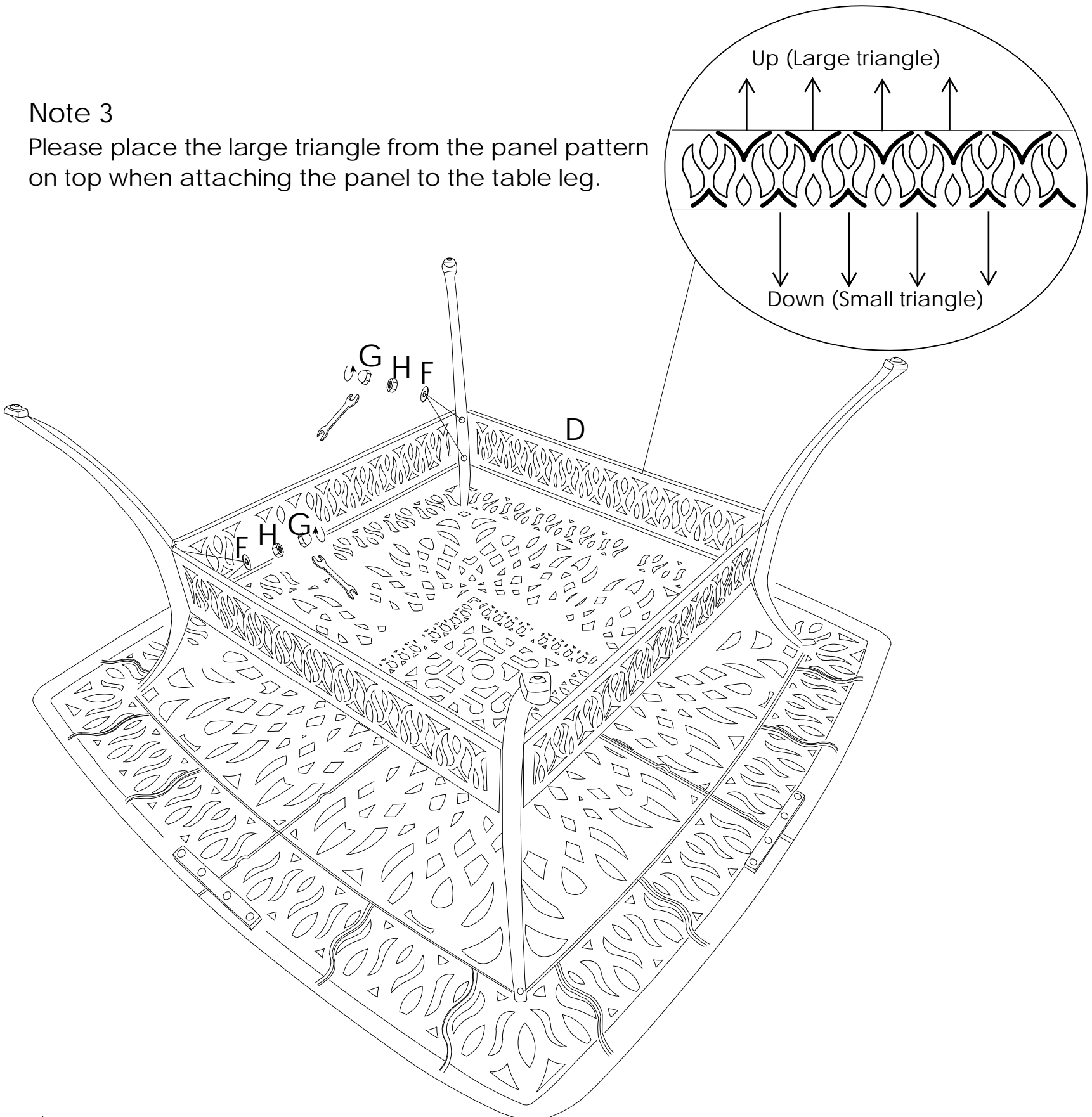
Note 2

Pay attention to installation direction.



Note 3

Please place the large triangle from the panel pattern on top when attaching the panel to the table leg.



 Don't tighten all the nuts until the assembly is finished

Step 11

Tighten all the screws and nuts, then turn the table over. The assembly of the table is now complete.

