

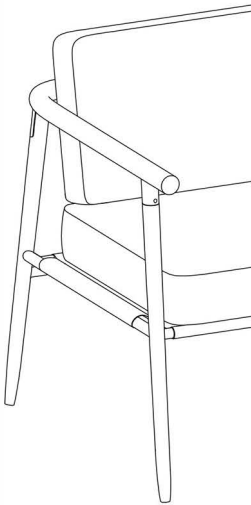
Instruction Manual



# WARRANTY

WE STRIVE TO OFFER HIGH-QUALITY PRODUCT AND WE ALSO TRY OUR BEST TO SATISFY EACH CUSTOMER THAT ORDERS FROM US WITH PRODUCT OR SERVICE AS NEEDED. EACH CUSTOMER RECEIVES A RECORD OF THEIR ORDER, SUCH AS THE ORDER NUMBER OR ITEM RECEIPT. FOR ANY ITEMS THAT ARE OUT OF THE WARRANTY PERIOD, YOU MAY STILL RECEIVE REPLACEMENT PARTS BY PURCHASING THEM FROM OUR COMPANY IF THEY ARE AVAILABLE.

Are you having difficulty  
with assembly? Missing parts?  
Please contact us.



# MAINTAINANCE AND WARNING

Please read the manual throughly before  
you start install.

Please always use proper tools for  
installment.

Packaging and small parts may have  
chocking hazard, please keep them away  
from children and pets.

Please clean the product with dry clean  
cloth, some of the parts may be able to  
wash directly. Check with the product  
description!

Please keep the product away  
from fire.

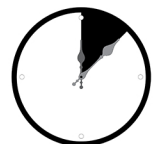
Please keep the product away from  
sharp objects.

IF the product is placed under direct  
sunlight, the pattern or color might  
fade away.

Do not jump on the product.


Check the product periodically to make  
sure everything is tightened.

If you have any questions else, please  
contact us,we will be glad to help  
you out.



Around 45 min

# PRDOUCT DESCRIPTION



Leather offers a sleek, easy to clean surface, while cotton provides a softer, more breathable option for ultimate comfort.

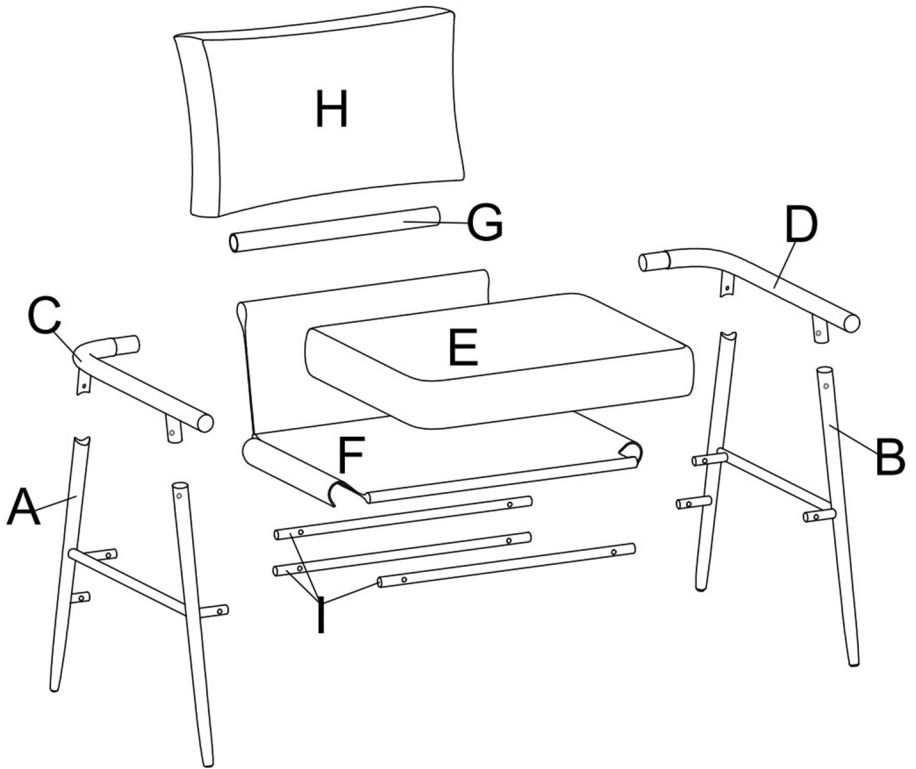
Foam filled cushions offer a plush yet supportive experience, making it perfect for relaxation and long hours of use.

Built with a durable metal frame, the chair delivers long lasting support and stability, with weight capacity of 250 lbs.

Adjustable foot pads ensure the chair remains stable, even on uneven or hard surfaces, for safe and secure seating.

With its minimalist style and variety of colors, this chair blends seamlessly with different decor styles and is easy to assemble.

# EXPLODED VIEW



# PARTS

A\*1



Right leg

B\*1



Left leg

C\*1



Right arm

D\*1



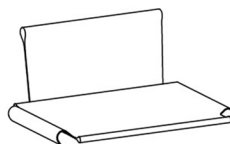
Left arm

E\*1



Seat cushion

F\*1



Cloth cover

G\*1



Cross rail

H\*1



Back cushion

I\*3



Fine rail

# HARDWARE

## TOOL LIST

①\*12



M6\*15  
Bolt

②\*12



Flat washer

③\*1



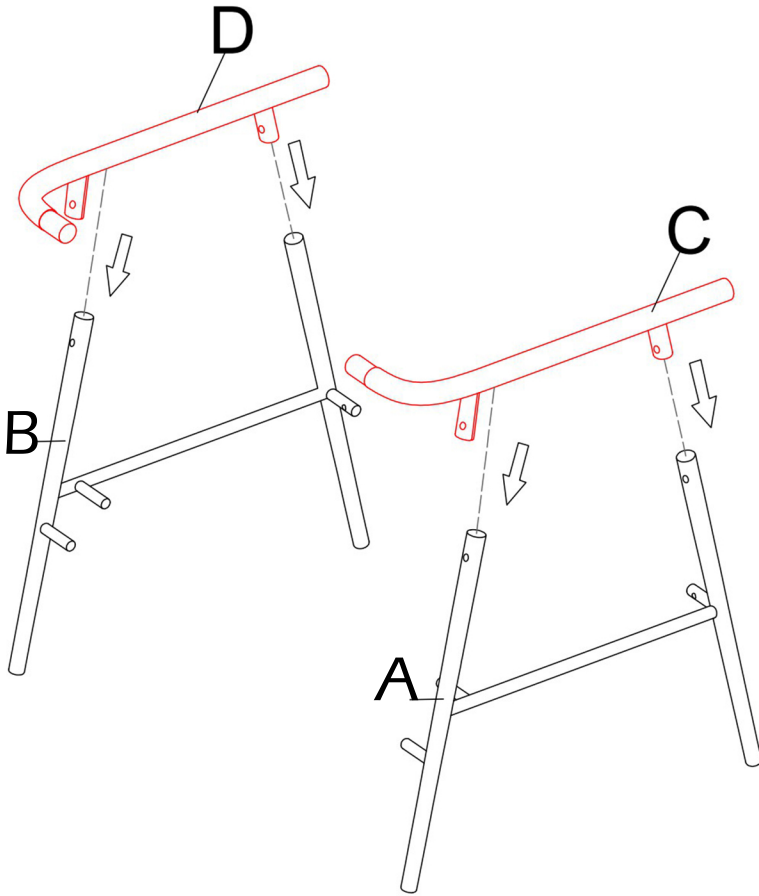
Allen key

PLEASE MAKE SURE ALL  
HARDWARE&PACKING  
MATERIAL FITTING THE LIST.  
ESPECIALLY SOME SMALL  
ACCESSORIES MAY BE MISSING  
DURING TRANSPORTATION.  
PLEASE CONTACT US  
IF YOU HAVE ANY QUESTION.

NOTE: We provide additional spare parts in the hardware package

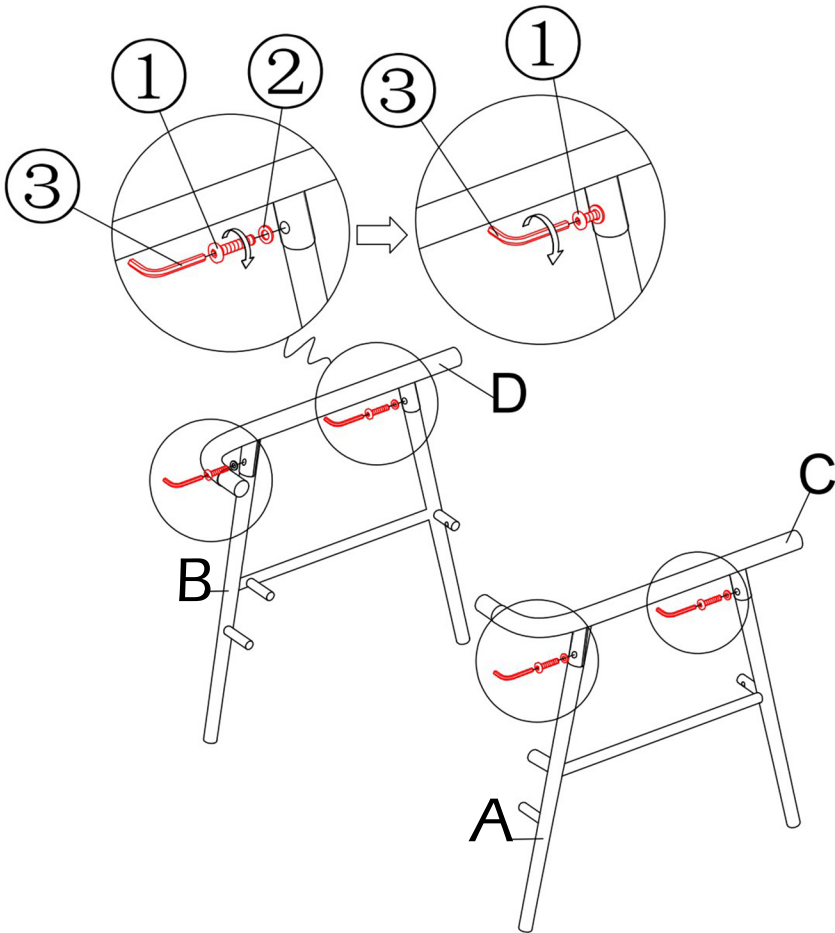
# step 1

INSERT RIGHT ARM AND LEFT ARM (D & C) INTO THE RIGHT LEG AND LEFT LEG (A & B) AS SHOWN. MAKE SURE THEY ARE ALIGNED AND INSTALLED CORRECTLY.



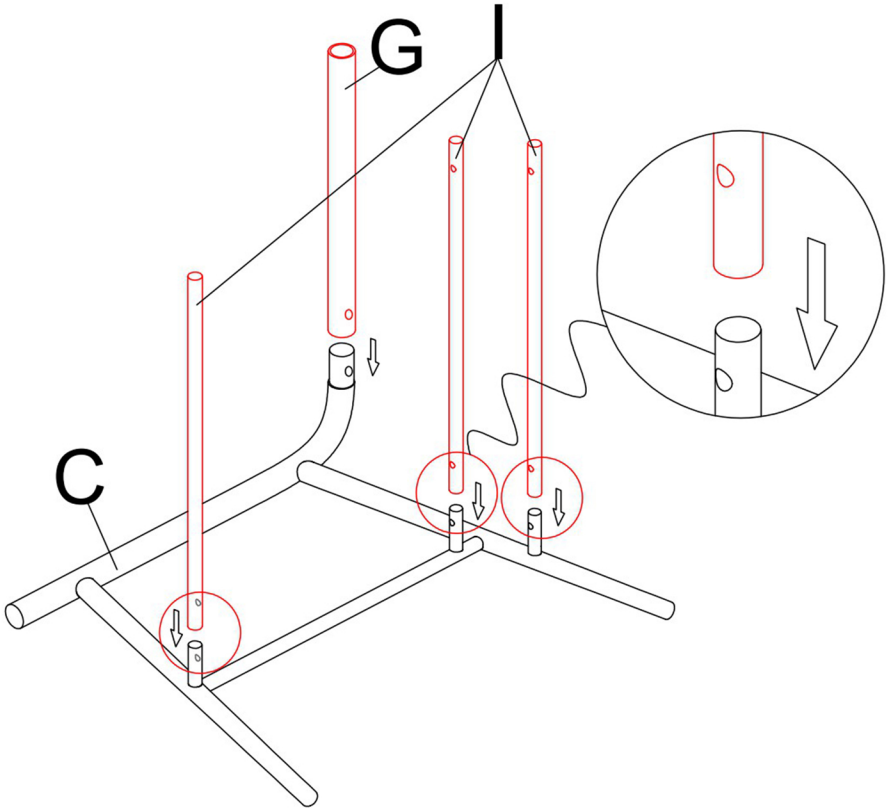
# step 2

FIRST, ADD ONE WASHER (2) ON EACH SCREW (1) AS SHOWN, THEN ALIGN THE SCREW HOLES ON BOTH ARMREST AND CHAIR FOOT, THEN USE THE ALLEN WRENCH(3) PROVIDED TO TIGHTEN ALL SCREWS BY 30% -50% AT FIRST, ENSURING THAT ALL SCREWS ARE ALIGNED CORRECTLY BEFORE TIGHTENING ALL SCREWS.



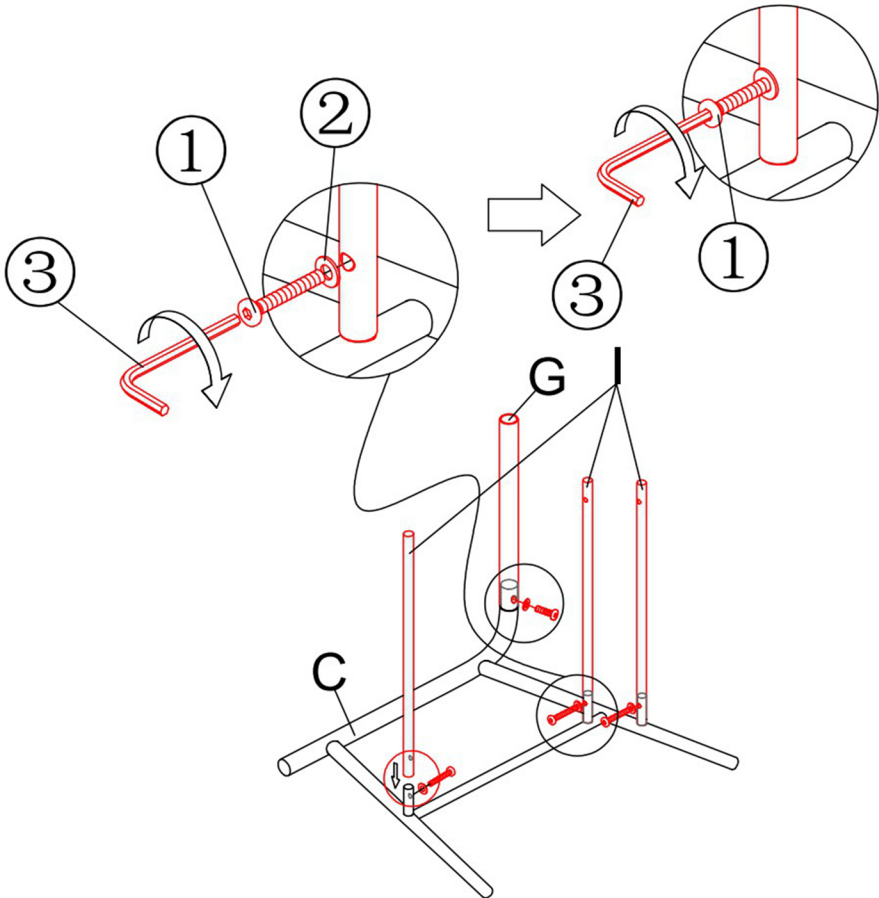
# step 3

AS SHOWN IN THE FIGURE, FIRST LAY THE CHAIR FRAME FLAT ON THE GROUND, AND THEN CONNECT THE THREE FINE RAILS (I) AND ONE CROSS RAIL (G) TO THE LEFT ARM REST PART (C).



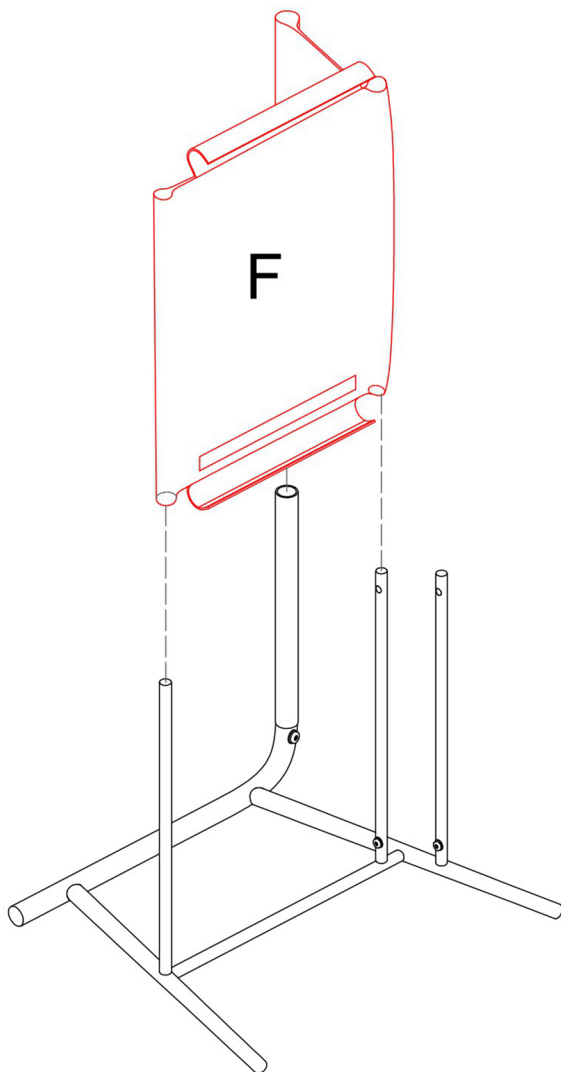
# step 4

FIRST, ADD ONE WASHER (2) ON EACH SCREW (1) AS SHOWN, THEN ALIGN THE SCREW HOLES ON BOTH RAILS AND ARMREST PART, THEN USE THE ALLEN WRENCH(3) PROVIDED TO TIGHTEN ALL SCREWS BY 30% -50% AT FIRST, ENSURING THAT ALL SCREWS ARE ALIGNED CORRECTLY BEFORE TIGHTENING ALL SCREWS.



# step 5

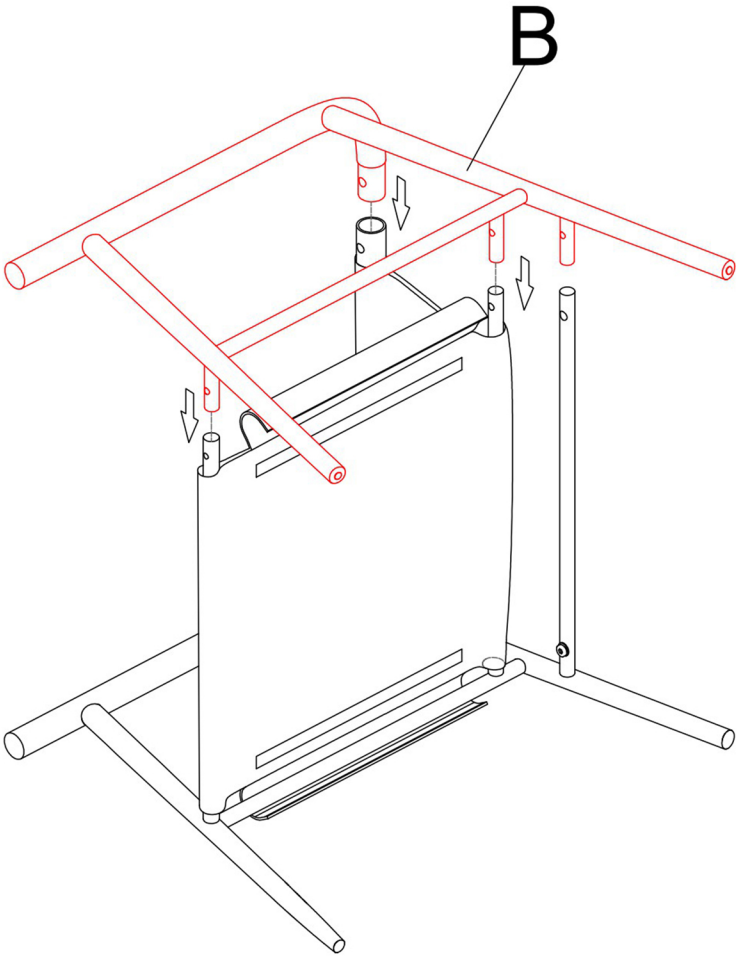
ALIGN THE RAILS WITH THE HOLES ON THE CLOTH COVER (F) AS SHOWN, THEN INSERT ALL RAILS IN TO THE CORRESPONDING HOLES, MAKE SURE THEY ARE ALIGNED CORRECTLY.



**NOTE:**PLEASE NOTICE, THE FACE WITH VELCRO TAPE IS THE BOTTOM OF THE CLOTH COVER.

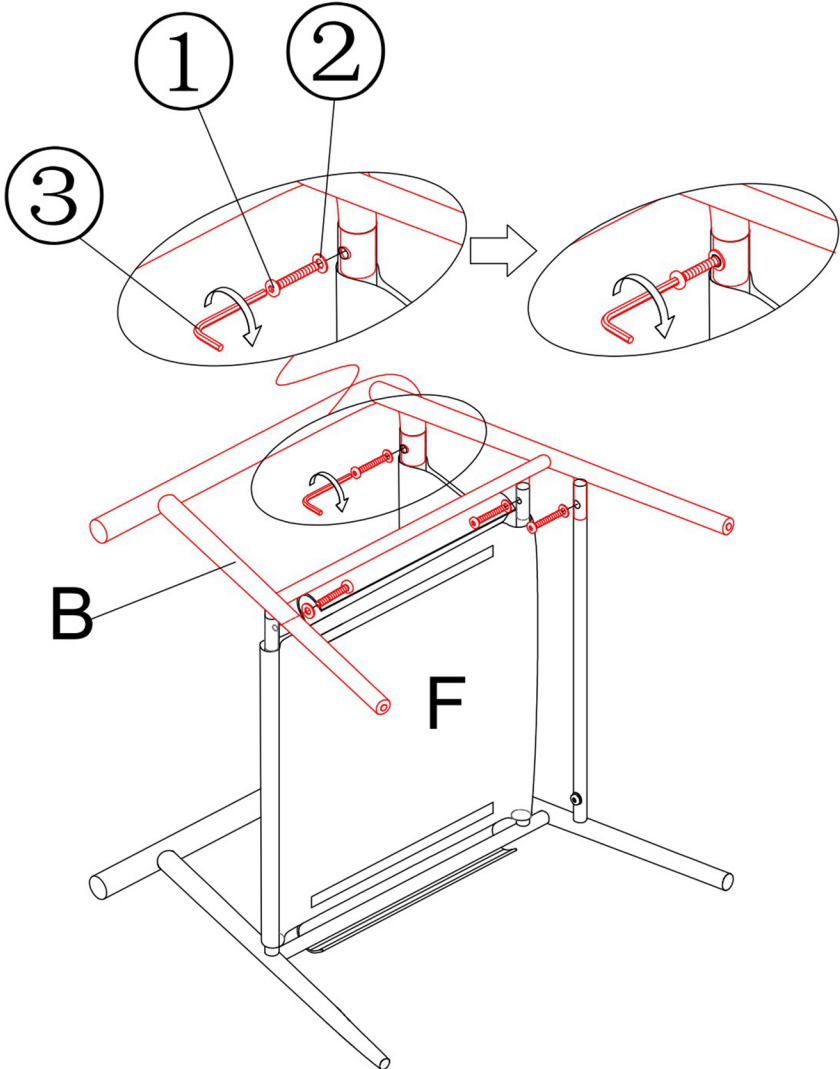
# step 6

CONNECT THE RIGHT ARMREST PART (B) WITH THE PREVIOUS PARTS AS SHOWN, MAKE SURE THEY ARE ALIGNED.



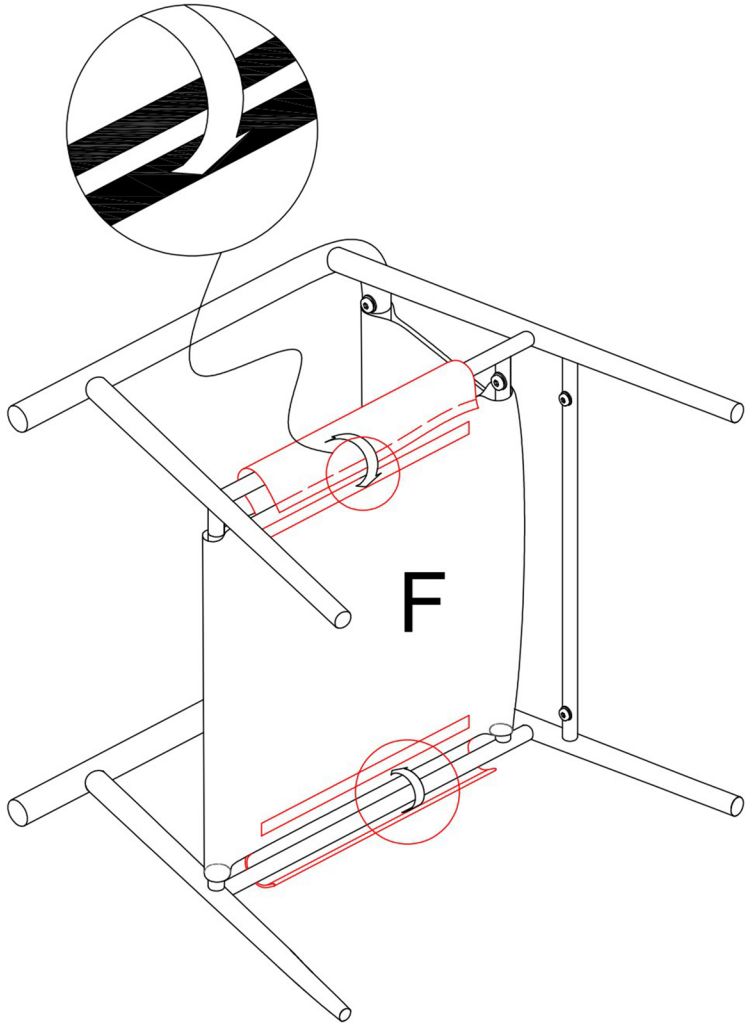
# step 7

FIRST, ADD ONE WASHER (2) ON EACH SCREW (1) AS SHOWN, THEN ALIGN THE SCREW HOLES ON BOTH RAILS AND ARMREST PART, THEN USE THE ALLEN WRENCH(3) PROVIDED TO TIGHTEN ALL SCREWS BY 30% -50% AT FIRST, ENSURING THAT ALL SCREWS ARE ALIGNED CORRECTLY BEFORE TIGHTENING ALL SCREWS.



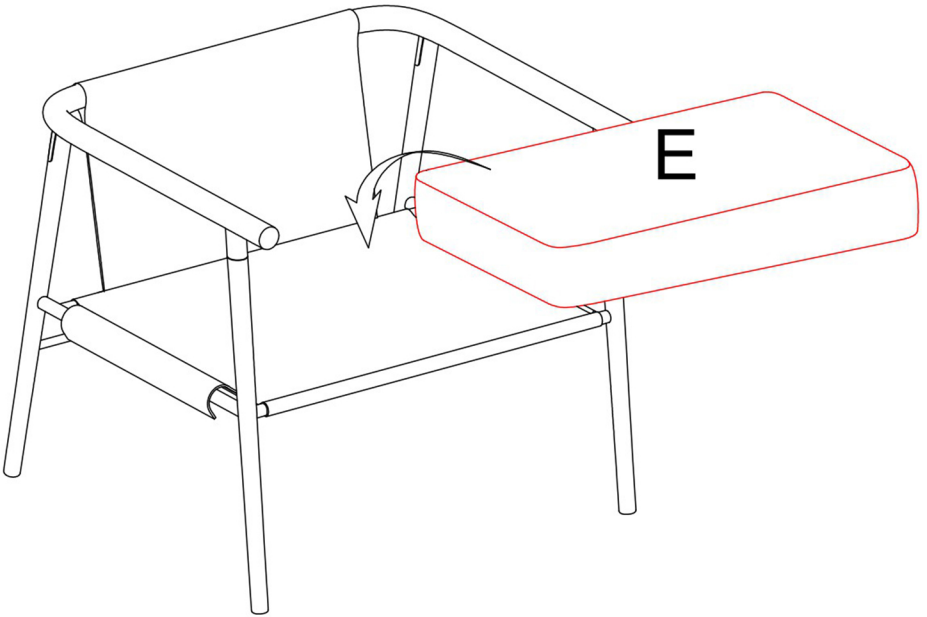
# step 8

STICK THE VELCRO COVER UNDERNEATH THE CLOTH COVER (F) AS SHOWN.



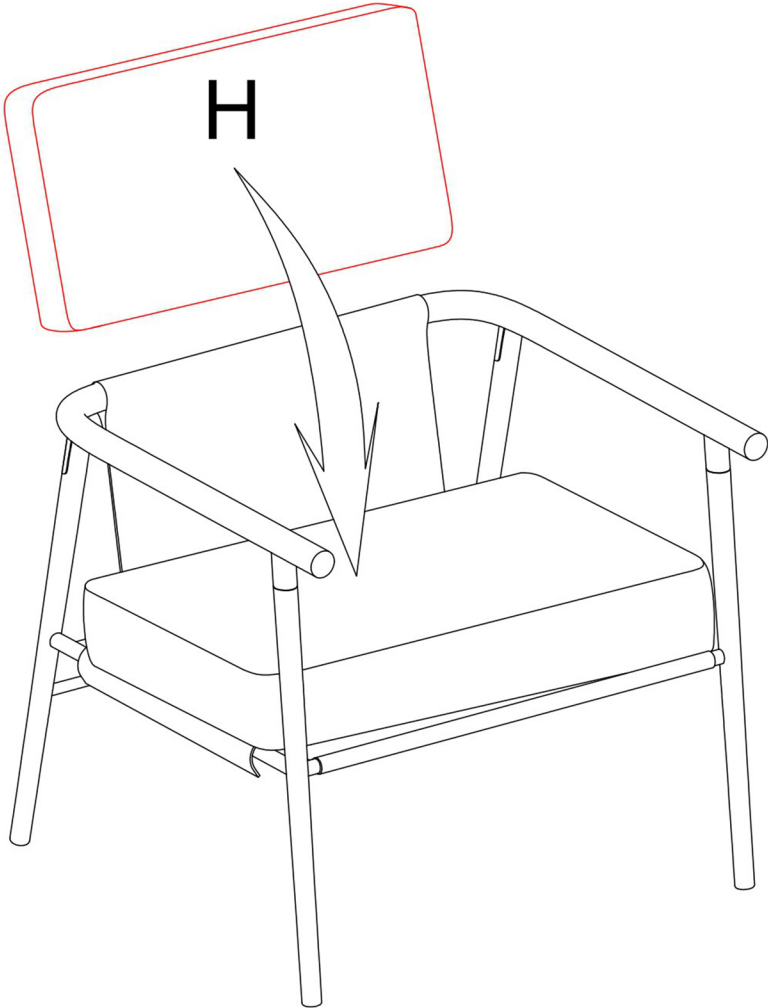
# step 9

PLACE THE SEAT CUSHION (E) ONTO THE CHAIR.



# step 10

PLACE THE BACK CUSHION (H) ONTO THE CHAIR.



# step 11

THE ASSEMBLY IS COMPLETED, THANK YOU FOR CHOOSING OUR PRODUCT,  
PLEASE ENJOY!

