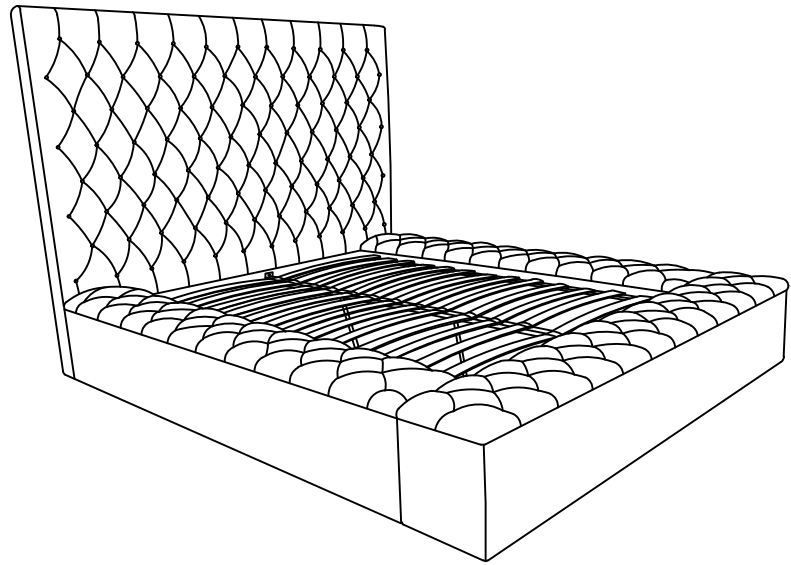
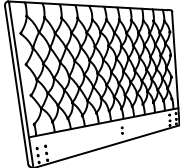

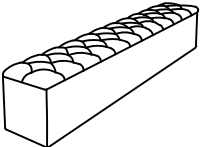
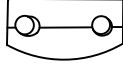
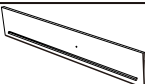
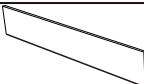
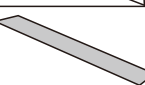

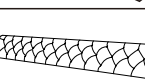
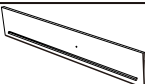
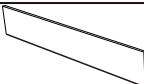
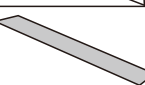

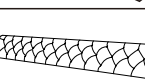
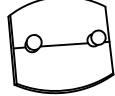
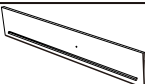
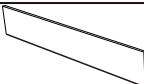
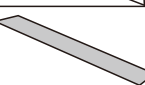

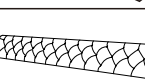
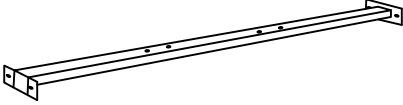










ASSEMBLY INSTRUCTION



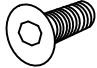

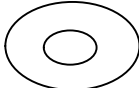

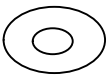


Queen



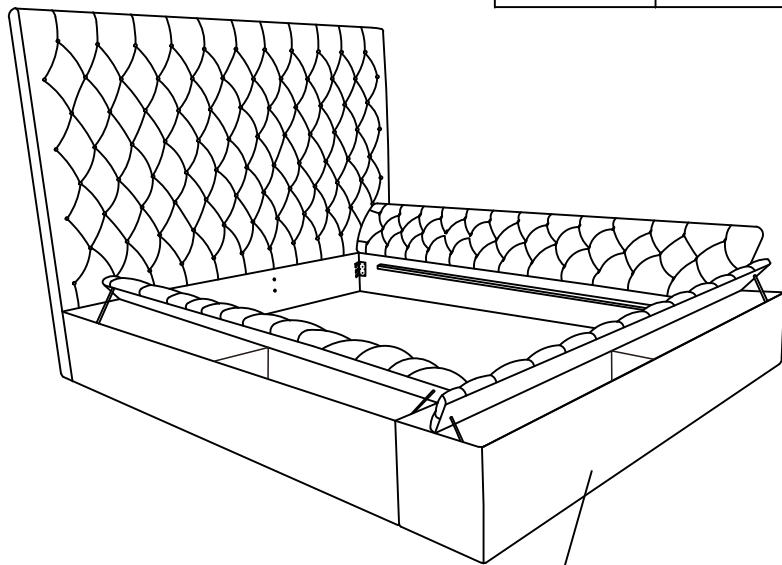
spare parts 1

<p>A</p>	 Headboard x1	<p>F</p>	 Metal Leg Support x2						
<p>B</p>	 Footboard x1	<p>G</p>	 Rails plastic slat x26						
<p>C</p>	<table border="1" style="width: 100%; border-collapse: collapse;"> <tr> <td data-bbox="164 1354 435 1438"> <p>C1</p>  x2 </td> <td data-bbox="435 1354 714 1438"> <p>C2</p>  x2 </td> </tr> <tr> <td data-bbox="164 1438 435 1522"> <p>C3</p>  x2 </td> <td data-bbox="435 1438 714 1522"> <p>C4</p>  x2 </td> </tr> <tr> <td data-bbox="164 1522 435 1617"> <p>C5</p>  x2 </td> <td data-bbox="435 1522 714 1617"> <p>Side Rail</p> </td> </tr> </table>	<p>C1</p>  x2	<p>C2</p>  x2	<p>C3</p>  x2	<p>C4</p>  x2	<p>C5</p>  x2	<p>Side Rail</p>	<p>H</p>	 Center plastic slat x13
<p>C1</p>  x2	<p>C2</p>  x2								
<p>C3</p>  x2	<p>C4</p>  x2								
<p>C5</p>  x2	<p>Side Rail</p>								
<p>D</p>	 Center Support bar x1	<p>I</p>	 Connector x4						
<p>E</p>	 Slat x26	<p>J</p>	<table border="1" style="width: 100%; border-collapse: collapse;"> <tr> <td data-bbox="878 1858 1149 2026">  <p>Left x2</p> </td> <td data-bbox="1149 1858 1428 2026">  <p>Right x2</p> </td> </tr> <tr> <td colspan="2" style="text-align: center;"> <p>Hinges</p> </td> </tr> </table>	 <p>Left x2</p>	 <p>Right x2</p>	<p>Hinges</p>			
 <p>Left x2</p>	 <p>Right x2</p>								
<p>Hinges</p>									

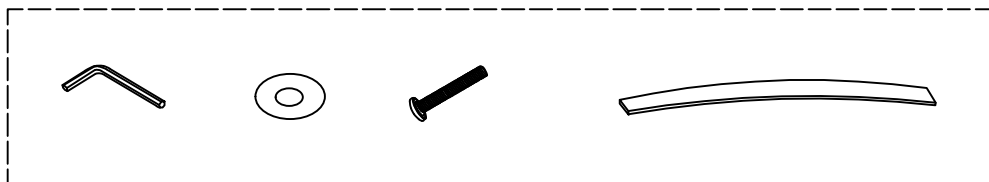
spare parts 2

a	 5/16*30mm x28	e	 M5 x1
b	 1/4*20mm x24	f	 M4 x1
c	 5/16 x32	g	 5/16*50mm x4
d	 1/4 x24	h	 ø5/16" x4
setp:1		i	 NUT x1

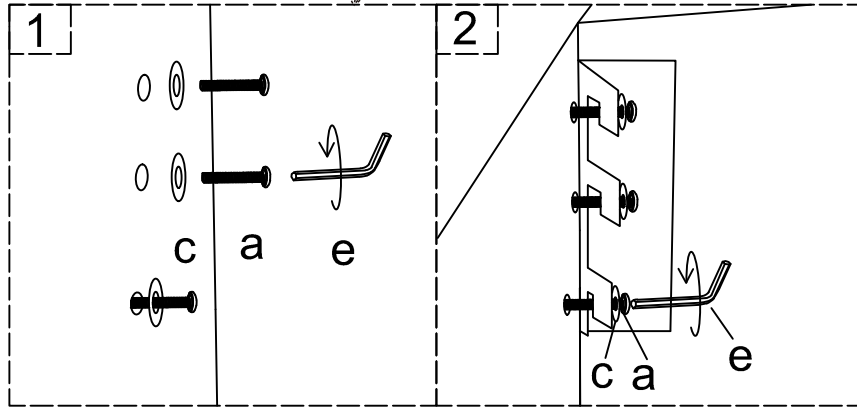
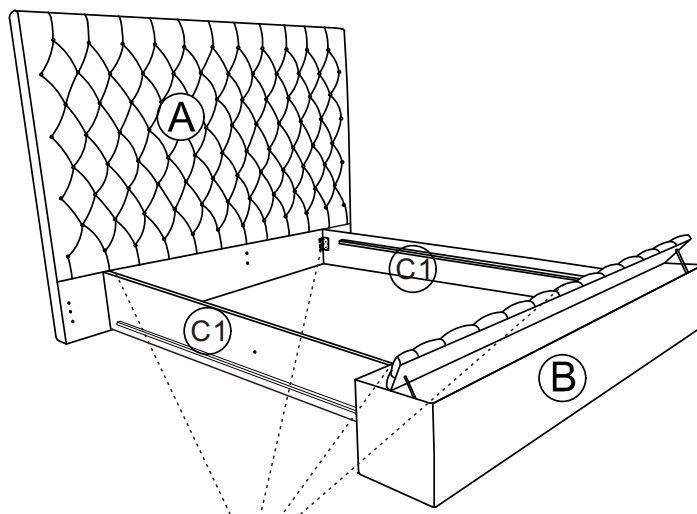
setp:1



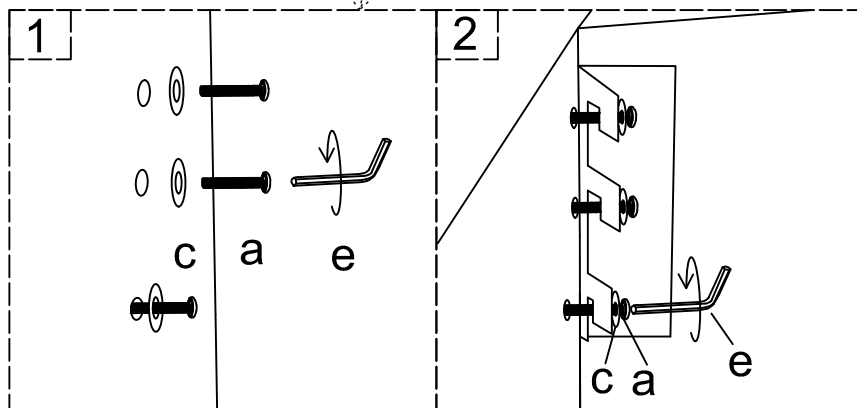
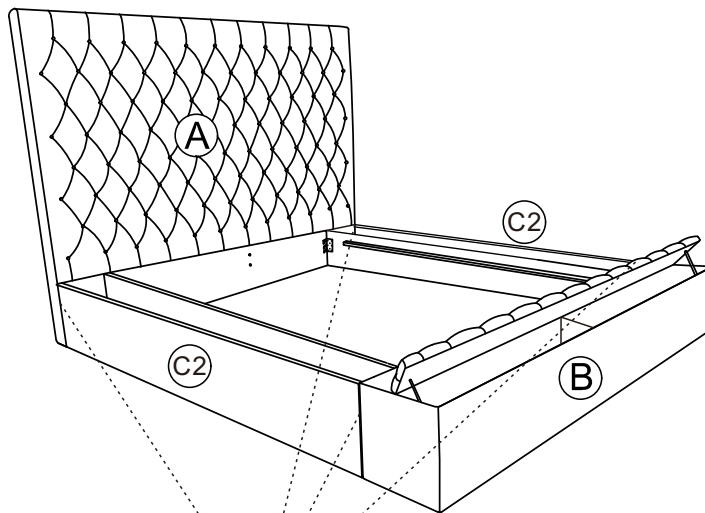
OPEN



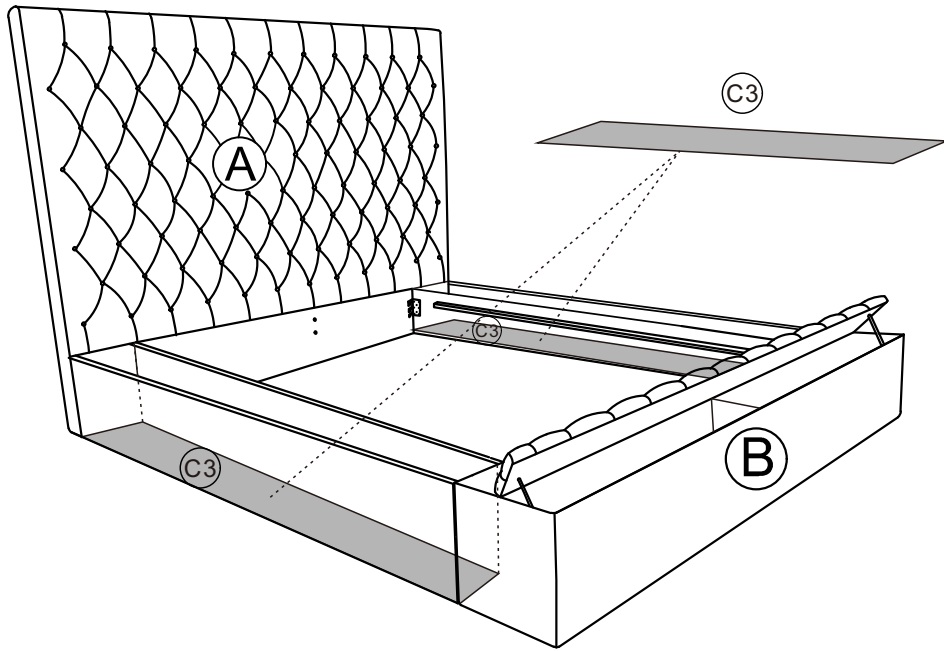
setp:2



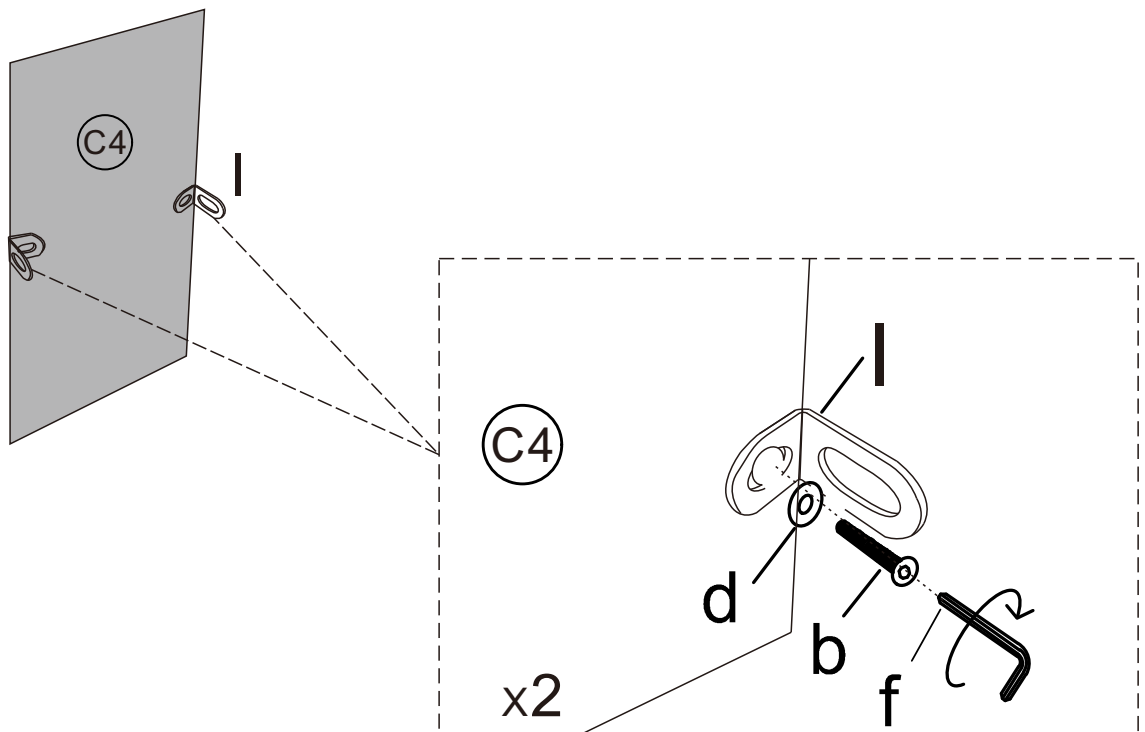
setp:3



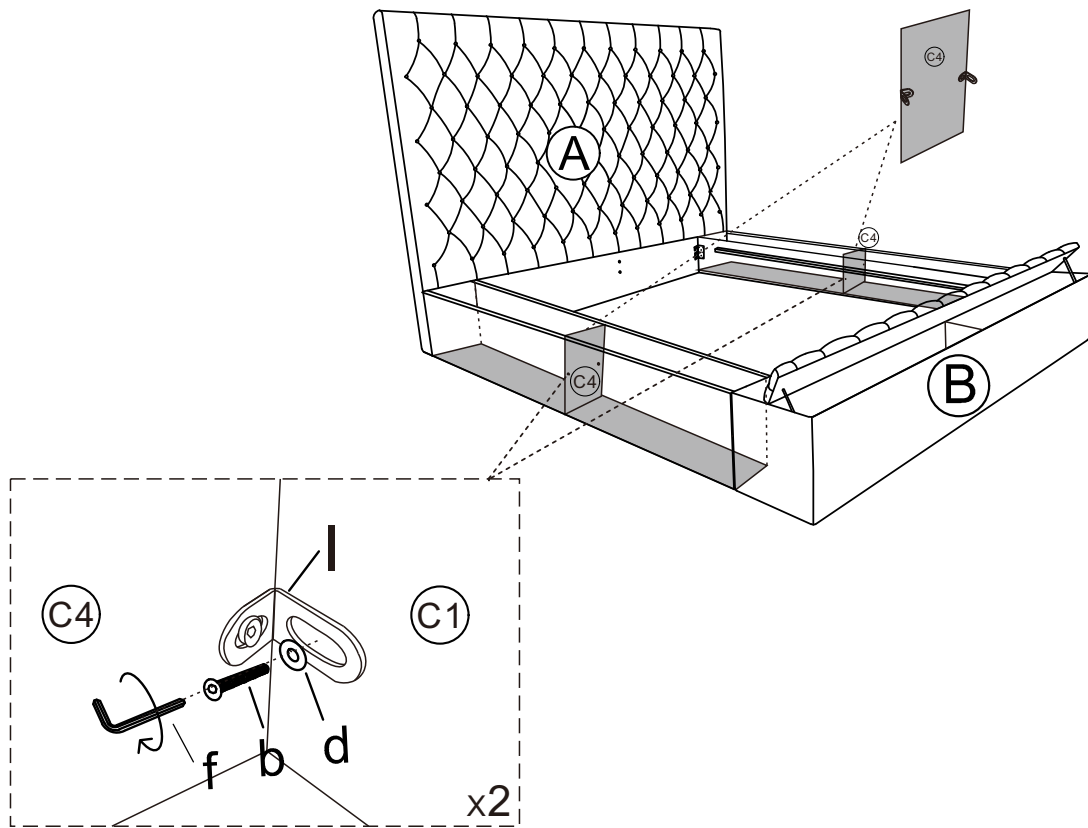
setp:4



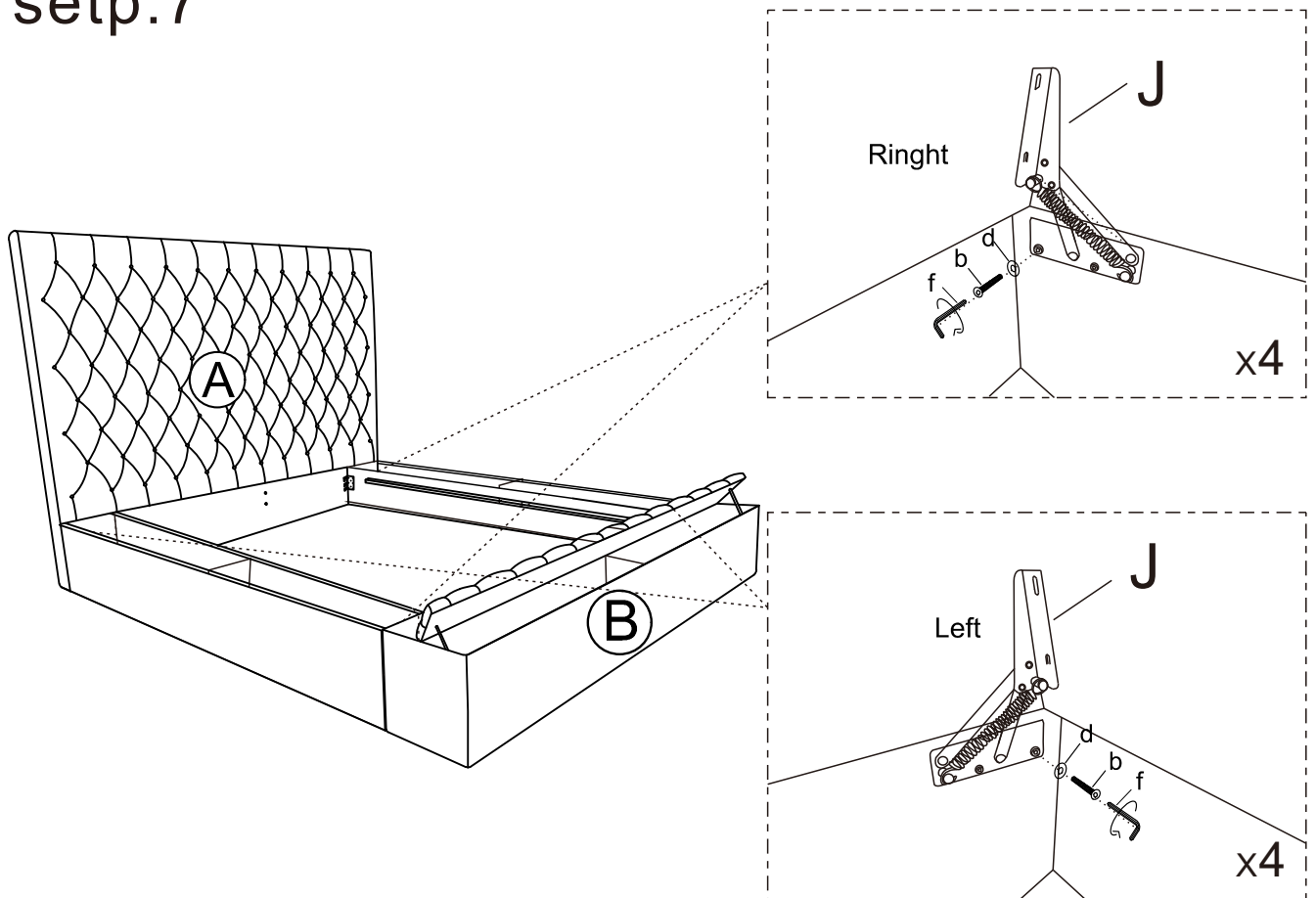
setp:5



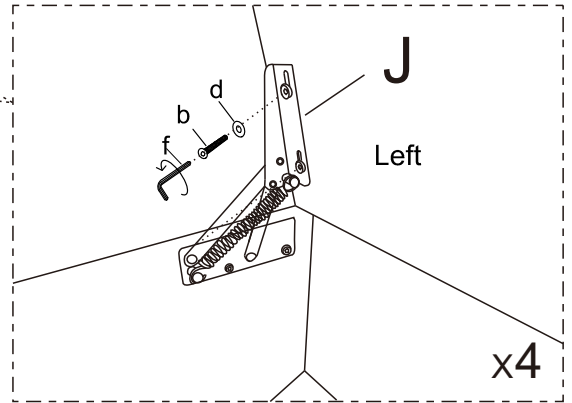
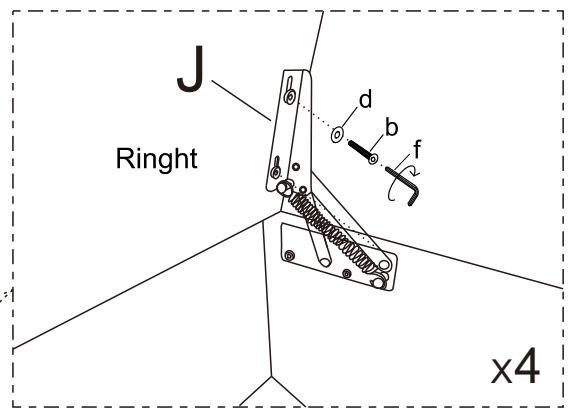
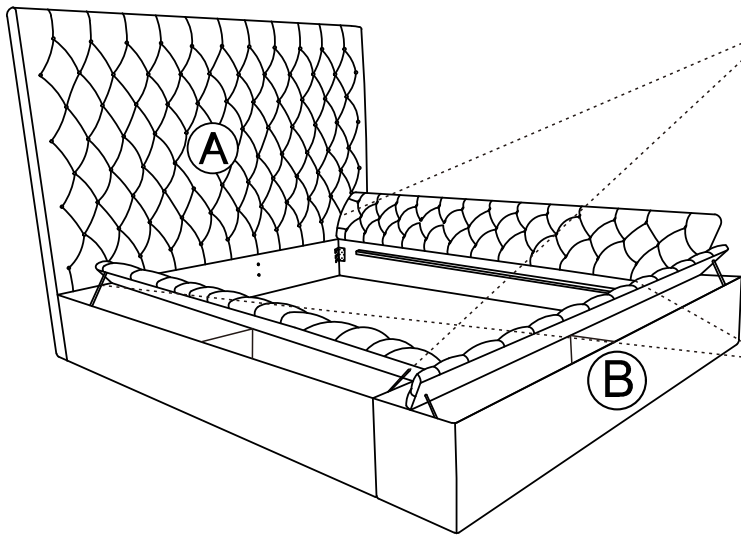
setp:6



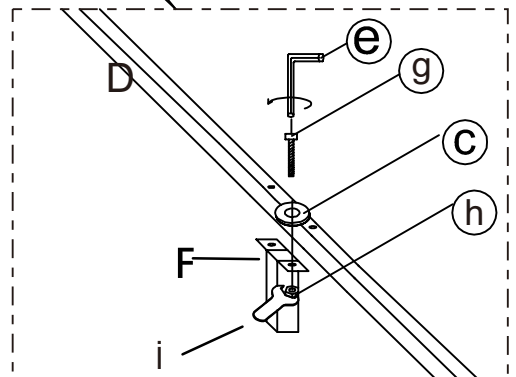
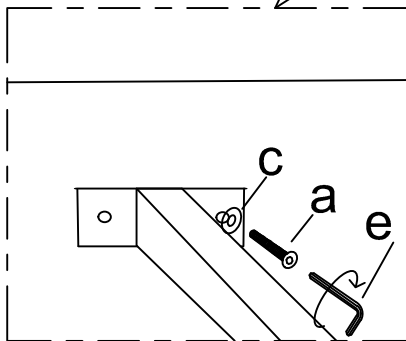
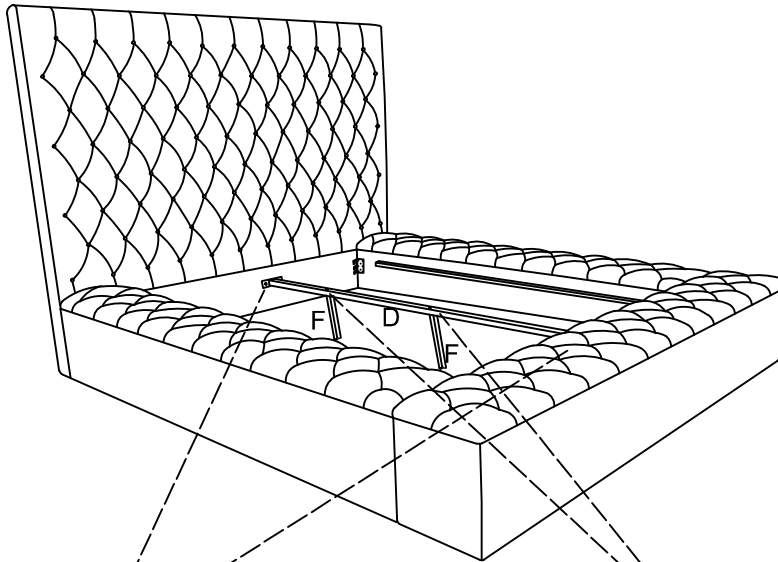
setp:7



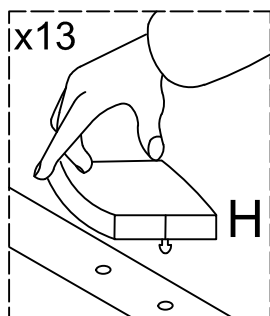
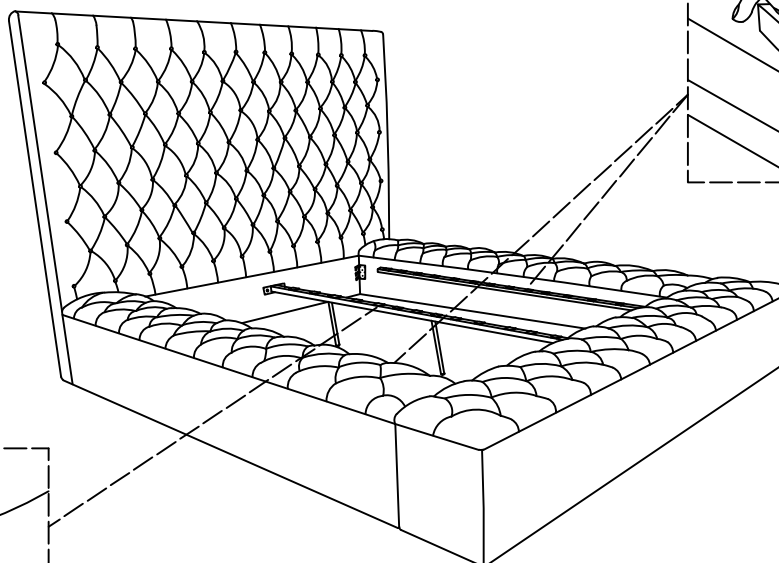
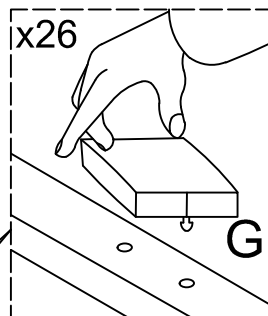
setp:8



setp:9



setp:10



setp:11

